

STANLEY®

Model: TMR-EC3103T



TV Mount Installation Guide

Thank you for choosing Stanley – the hardware of choice for Architects, Contractors, and Home Owners for its quality, performance and dependability.

Enclosed are your step-by-step instructions for an install made easy.

If you get stuck, give customer service a call at 1-855-816-6868
You can also reach us at contact@stanleymounts.com

www.stanleymounts.com



Caution: Please read the entire manual before proceeding
View warranty and disclaimer on page 14

Getting Started

Before we start, let's make sure we have the correct mount along with all the required tools and hardware to complete the installation.



The TV must be a Flat Panel TV between 13"-39" and weighs no more than 40lbs.



The wall the TV will be mounted on is either concrete or drywall with wood studs.



You have all of the following tools:



Drill



Screwdriver



Pencil



Level



Stud Finder



Tape Measure



Hammer



Wrench



Drillbit



Check out our free level app in the app store!

If you answer "Yes" to all the questions above then you are ready to begin the TV Mount installation!

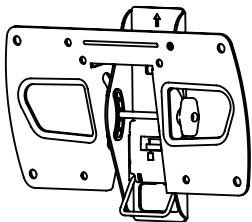


Caution: This product contains small items that could be a choking hazard if swallowed.

Parts & Hardware



Caution: Before starting assembly, verify all parts are included and undamaged. If any parts are missing or damaged, do not return the damaged item to your dealer; contact Customer Service. Never use damaged parts or previously used parts!



01 TV Bracket

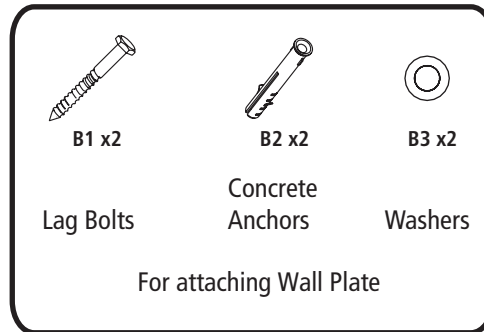
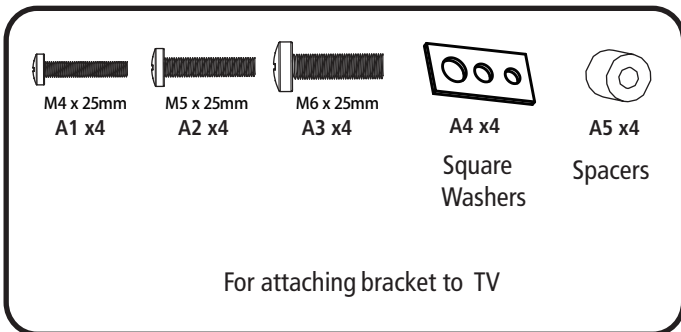
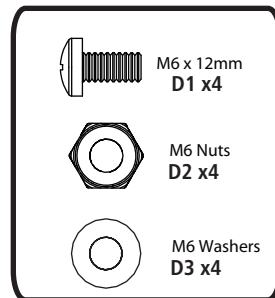


02 Wall Plate



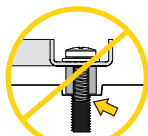
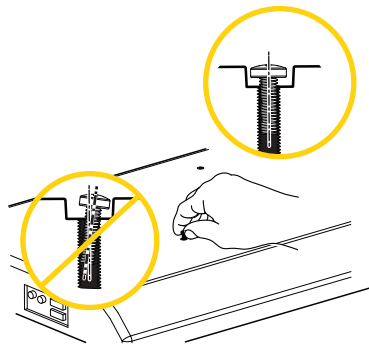
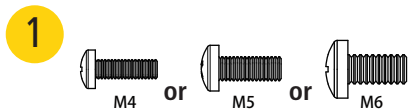
03 x2 TV Bracket Extenders

Only needed for TVs
with 200x200mm
VESA patterns

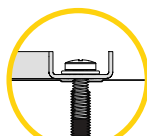


1 Hand thread screws into the threaded inserts on the back your TV to determine which Screw diameter to use.

2 Determine whether your TV has a flat back or an irregular or obstructed back.



Too Short



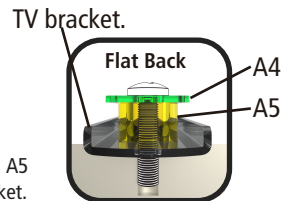
Correct



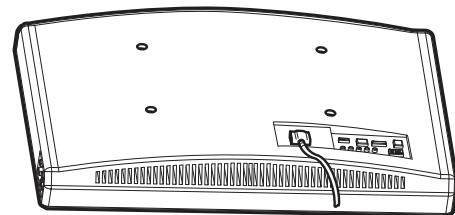
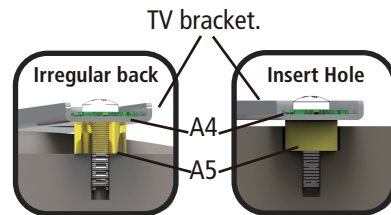
Too Long

2

Flat Back:
Mount the spacers A5 above the TV bracket.



**Irregular/Round back
Inset holes:**
Mount the spacers A5 under the TV bracket.



- 1 Determine if you are necessary to assemble the bracket extenders.
- 2 Assemble TV bracket extenders to TV bracket. Fasten the screws D1 and Nuts D2.

Tools Required:

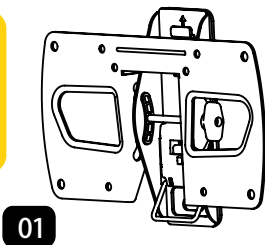


Screwdriver

1

VESA Pattern
(mm)

75x75
100x100
100x200



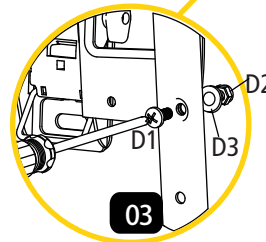
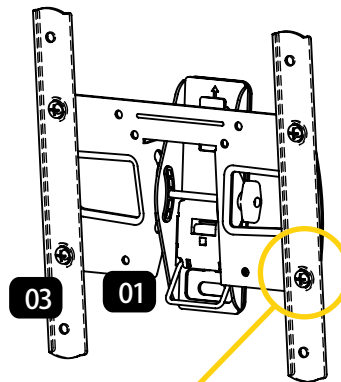
Only use TV Bracket if the hole patterns of your TV is 75x75 or 100x100 or 100x200.

Do not use TV bracket extenders and D1,D2. **01**

2

VESA Pattern
(mm)

200x200



Position your TV bracket over your TV hole pattern, making sure the brackets are vertically centered and level.

- 1 Install TV bracket with the screw and washer or spacer you selected for your TV. If the hole pattern on your TV is 75x75mm, the washers A4 will not fit, then do not use the washers.

- 2 If the hole pattern of your TV is 200x200mm, install the TV bracket with extender **03**. Tighten all screws securely before moving on to the next step. Do not overtighten.

Tools Required:



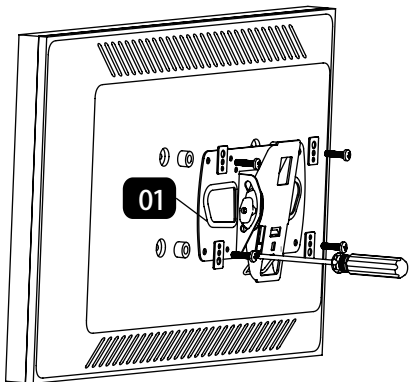
6

Screwdriver

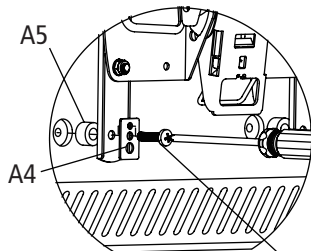
1

VESA Pattern
(mm)

75x75
100x100
100x200



Irregular/Round back;
Inset holes:
Mount the spacers A5
under the TV bracket.

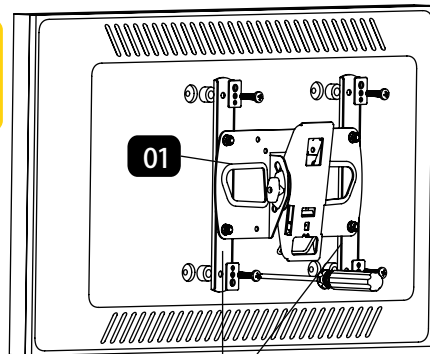


A1 or A2 or A3

2

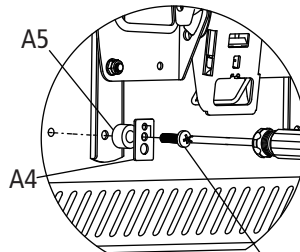
VESA Pattern
(mm)

200x200



03

Flat Back:
Mount the spacers A5
above the TV bracket.



A1 or A2 or A3

Step 3A: Install Wall Plate on Drywall with Wood Stud

Note: For Concrete skip to Step 3B

- 1 Use the stud finder to locate the stud, and then draw a vertical line on the center of the stud.
- 2 Level wall plate and align at center of stud. Make 2 pencil marks to indicate where to drill.

Tools Required:



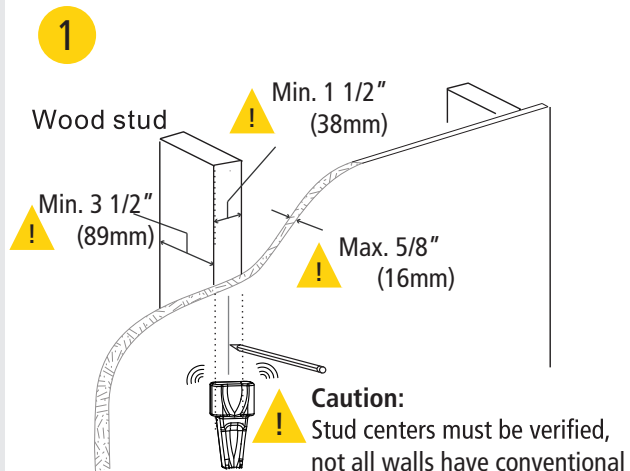
Pencil



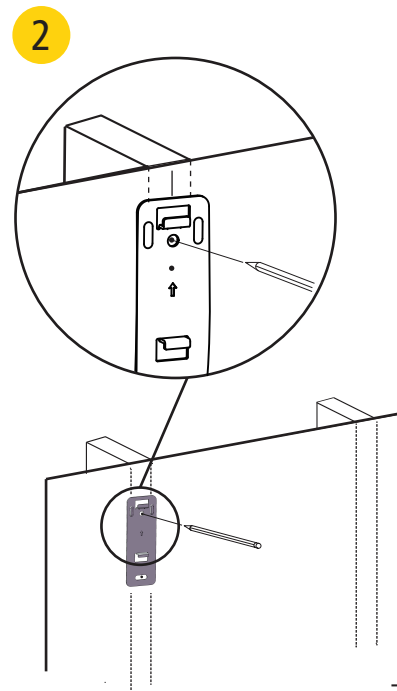
Level



Stud Finder



- Caution:
- The minimum size of the wood stud must be 1 1/2" x 3 1/2" (38x 89mm)
- The thickness of dry wall must not exceed 5/8" (16mm).



- 3 Remove the wall plate and drill the pilot holes with a 3/16" drill bit
- 4 Align the wall plate with the pilot holes and insert 2 bolts through the washer in the pilot holes and tighten.
- 5 Finalize level of wall plate before tightening.

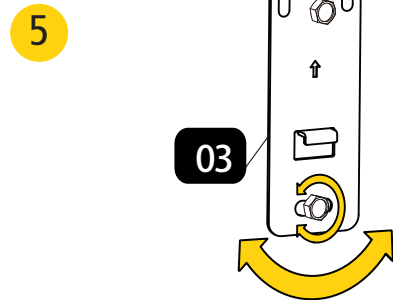
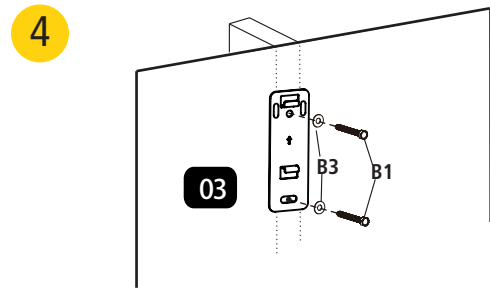
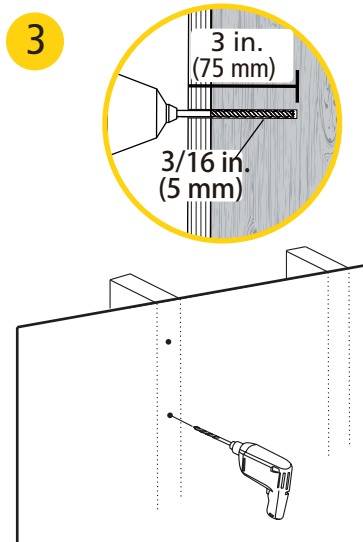
Tools Required:



Drill



3/16" Drill Bit



Step 3B: Install Wall Plate On Solid Concrete or Concrete Block Wall

- 1 Level the wall plate and make 2 marks with pencil to show where to drill the pilot holes.
- 2 Remove the wall plate and drill the pilot holes with a 3/8" drill bit.

Tools Required:



Pencil



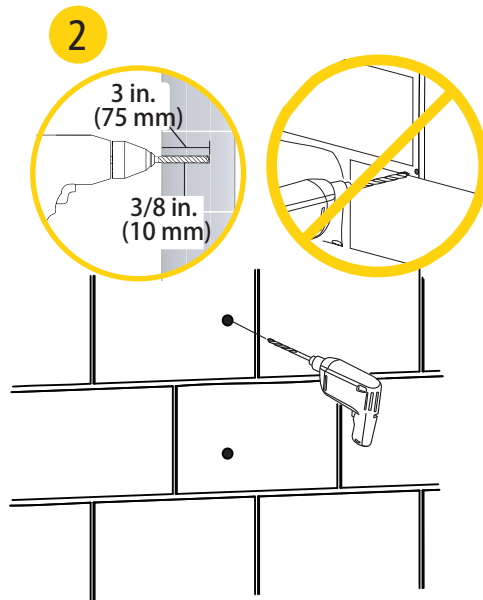
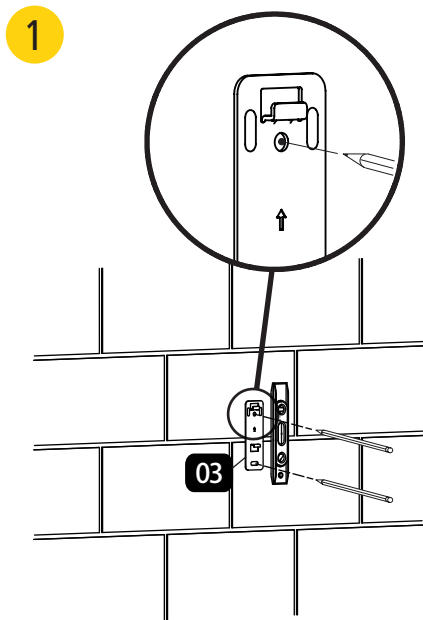
Level



Drill



3/8" Drill Bit



Caution: The minimum depth of the concrete must be 8".
Do not drill pilot holes into the mortar between the concrete.

- 3 Insert the anchors into the 4 pilot holes. Tap with hammer
- 4 Align wall plate with pilot holes and anchors. Insert 4 bolts through washers and anchors then tighten with wrench.
- 5 Finalize level of wall plate before tightening.

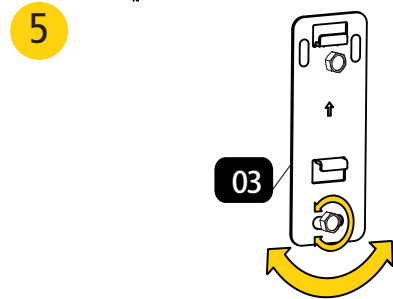
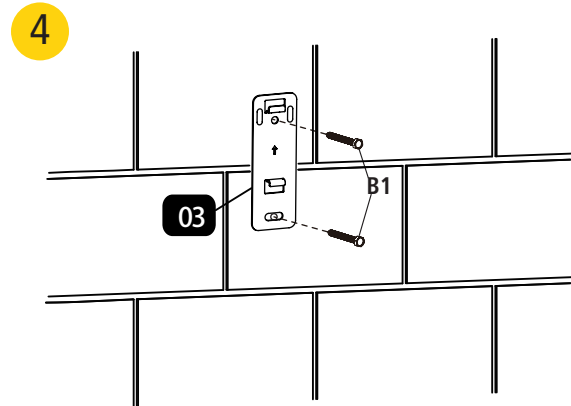
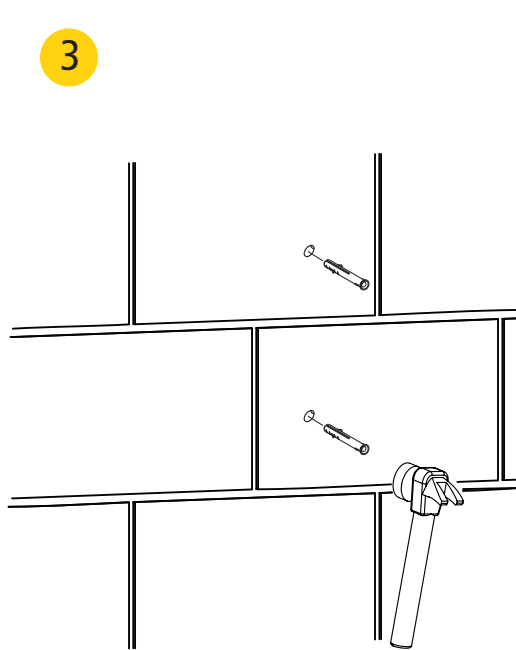
Tools Required:



Hammer



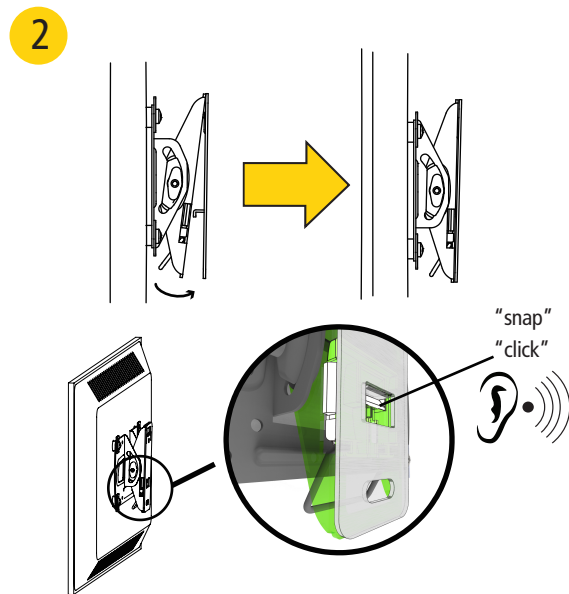
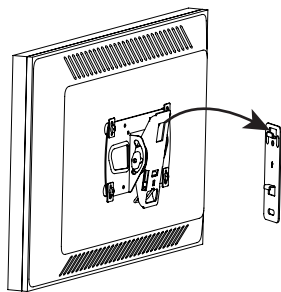
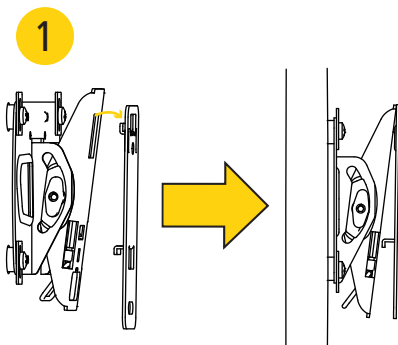
Wrench



- 1 Hang the TV by hooking the TV bracket over the top lip of the wall plate.
- 2 After the TV is hanging properly on the wall plate, press on the bottom of the TV to the wall plate until you hear an audible click.

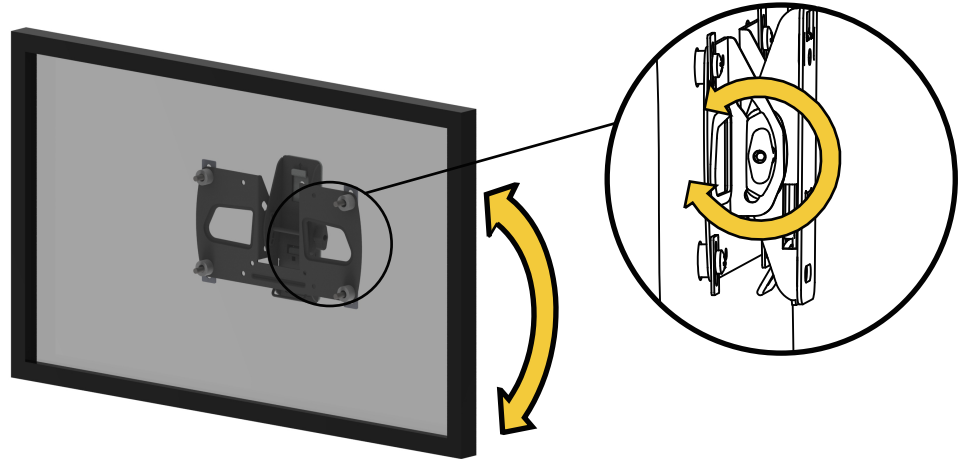


Warning: TV should always be lifted by 2 people.



! Listen for a "Click" to ensure mount is locked in place

- 1 Loosen the knob on the TV bracket to adjust the tilt of your TV.
- 2 Tighten the knob when you achieve the perfect angle of view.



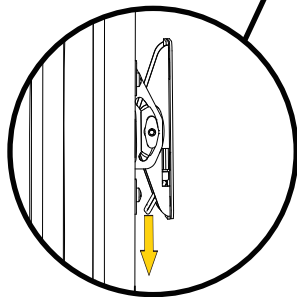
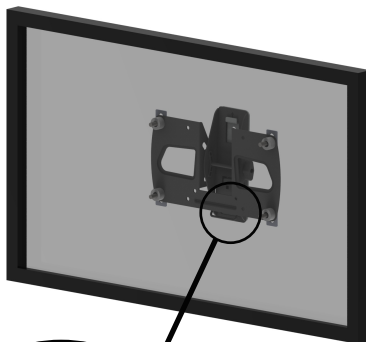
- 1 Disconnect all cables from the TV.
- 2 Pull the release hook down to unlock the TV from the wall plate.
- 3 Pull the bottom of the TV from the wall enough to lift the TV up and off of wall palte.

To rehang your TV, follow the procedures in step 4 on page 11.

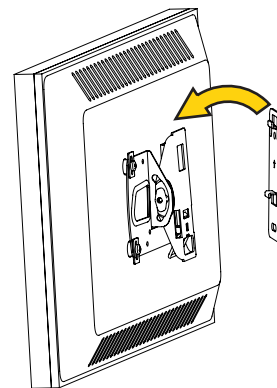
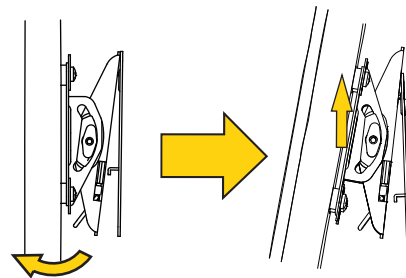


Warning: TV should always be lifted by 2 people.

1



2



SUNCRAFT SOLUTIONS INC. LIMITED WARRANTY

SUNCRAFT SOLUTIONS, INC. warrants its products to be free of defects in material and workmanship for the product's Warranty Period. The Warranty Period commences on the original purchase date of the product and the sales receipt serves as proof of purchase.

All SUNCRAFT SOLUTIONS, INC. products are covered by a limited product warranty of three (3) years for all metal mounts, fixtures and non electrical items.

This Limited Warranty extends only to the original purchaser and is non-transferable. It is automatically void if your SUNCRAFT SOLUTIONS, INC. product is modified or altered in any way, improperly or incompletely installed, usage of non-supplied hardware and used in a non conventional method, exceeding the weight capacity or size restrictions. SUNCRAFT SOLUTIONS, INC. products are intended for indoor applications for consumer or commercial use. Any outdoor application, subject to high humidity, water vapor or exposure to elements therefore voids this Limited Warranty. The Limited Warranty for all mounts is void if the mount is transferred from one location to another. To the maximum extent permitted by applicable law, SUNCRAFT SOLUTIONS, INC. disclaims any other warranties, express or implied, including warranties of fitness

for a particular purpose and warranties of merchantability. SUNCRAFT SOLUTIONS, INC. will not be liable for any damages whatsoever arising out of the use or inability to use its products, even if SUNCRAFT SOLUTIONS, INC. has been advised of the possibility of such damages. To the maximum extent permitted by applicable law, SUNCRAFT SOLUTIONS, INC. disclaims any responsibility for incidental or consequential injuries, damages to persons, properties and other items.

For warranty claims made during the stated warranty period, SUNCRAFT SOLUTIONS, INC. will replace any defective product part free of charge. Contact SUNCRAFT SOLUTIONS, INC. at 1-855-816-6868 to make a warranty claim or e-mail warranty@suncraftsolutions.com. Proof of warranty is required. This Limited Warranty does not cover the costs of removing and replacing defective parts from your SUNCRAFT SOLUTIONS, INC. product. SUNCRAFT SOLUTIONS, INC. assumes no liability for any installation, adjustment or other costs.

General Disclaimer

Disclaimer – Suncraft Solutions Inc. has extended every effort to ensure the accuracy and completeness of this manual. However, Suncraft Solutions Inc. does not claim that the information covers all installation, situational or operational variables. The information contained in this document is subject to change without notice or obligation of notification of any kind. Regarding the information contained herein, Suncraft Solutions Inc. makes no representation of warranty, expressed or implied, and assumes no responsibility for accuracy, sufficiency, or completeness of the information contained in this document.

WARNING: FAILURE TO READ, THOROUGHLY UNDERSTAND, AND FOLLOW ALL INSTRUCTIONS CAN RESULT IN SERIOUS PERSONAL INJURY, DAMAGE TO PERSONAL PROPERTY, OR VOIDING OF LIMITED WARRANTY!

It is the responsibility of the installer of this product to ensure all components are properly assembled and installed using the instructions provided. If you do not understand these instructions or have any questions or concerns, please contact customer service at 1-855-816-6868 or service@suncraftsolutions.com. Do not attempt to install or assemble this product if the product or hardware

is damaged or missing. In the event that replacement parts or hardware are needed, please contact Customer Service at 1-855-816-6868 or service@suncraftsolutions.com. International customers needing assistance should contact the Dealer from which they purchased the product.

The included hardware is designed for use on vertical walls constructed of wood studs or solid concrete. A wood stud wall is defined as consisting of a minimum of 2x4 wooden studs (1.5" wide by 3.5" deep 51 x 102 mm) with a maximum of 5/8" (16 mm) drywall. The included hardware is not designed for use with metal studs or cinderblock walls. If you are uncertain or unknowledgeable about the construction of your wall, then please consult a qualified contractor or professional installer for assistance. The wall you are mounting to must support 4 times the weight of the total load. The load is defined as the TV and Mount along with anything else suspended from the mount. If not, then the surface must be reinforced to meet this standard. The installer is responsible for verifying that the wall structure and hardware used in any installation method will safely support the total load.