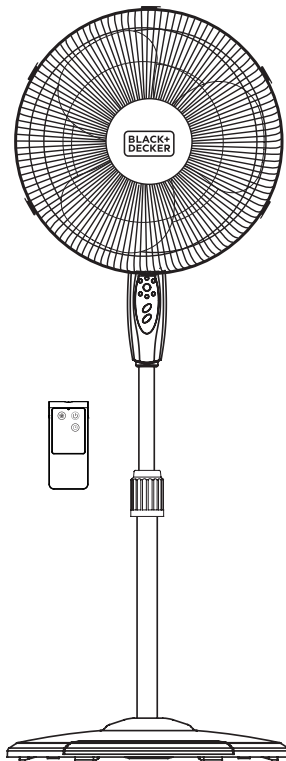


BLACK+ DECKER™

16" STAND FAN

INSTRUCTION MANUAL

CATALOG NUMBER
BFSR16



Thank you for choosing BLACK+DECKER!

PLEASE READ BEFORE RETURNING THIS PRODUCT FOR ANY REASON.

If you have a question or experience a problem with your BLACK+DECKER purchase, go to www.blackanddecker.com/instantanswers
If you can't find the answer or do not have access to the Internet, call 844-299-0879 from 10:30 a.m. to 6:30 p.m. EST Mon. - Fri. to speak with an agent. Please have the catalog number available when you call.

SAVE THIS MANUAL FOR FUTURE REFERENCE.

CONTENTS

SAFETY INFORMATION
Important Safety Instructions..... 4-6
Electrical Requirements..... 5

SET UP & USE
Parts & Features..... 7
Operation & Use8-11
Replacing the Fuse.....12

CLEANING & CARE.....12

TROUBLE SHOOTING & WARRANTY
Before You Call For Service13
Customer Service.....13
Troubleshooting.....13
Limited Warranty 14

PRODUCT REGISTRATION

Thank you for purchasing our BLACK+DECKER product. This easy-to-use manual will guide you in getting the best use of your fan.

Remember to record the model and serial numbers. They are on a label on the rear.

Staple your receipt to your manual. You will need it to obtain warranty service.

_____ Model number

_____ Serial number

_____ Date of purchase

SAFETY INFORMATION

DANGER

DANGER - Immediate hazards which **WILL** result in severe personal injury or death

WARNING

WARNING - Hazards or unsafe practices which **COULD** result in severe personal injury or death

CAUTION

CAUTION - Hazards or unsafe practices which **COULD** result in minor personal injury

IMPORTANT SAFETY INSTRUCTIONS

WARNING

When using electrical appliances, basic safety precautions should be followed, including the following

1. READ ALL INSTRUCTIONS BEFORE USE
2. Never insert fingers, pencils, or any other object through the grill when fan is running
3. Disconnect fan when moving from one location to another.
4. Disconnect fan when not in use and before cleaning.
5. To protect against risk of electrical shock, do not immerse fan in water or any other liquid.
6. Do not let cord hang over edge of table or counter.
7. Be sure fan is on a stable surface when operating to avoid overturning.
8. Do not use fan in window. Rain may create electrical hazard.
9. Close supervision is necessary when any appliance is used by or near children.
10. This product employs overload protection (fuse). A blown fuse indicates an overload or short-circuit situation. If the fuse blows, unplug the product from the outlet. Replace the fuse as per the user manual (follow product marking for proper fuse rating) and check the product. If the replacement fuse blows, a short-circuit may be present and the product should be discarded or returned to an authorized service facility for examination and/or repair.
11. Do not operate any fan with a damaged cord or plug. Discard fan or return to an authorized service facility for examination and/or repair.
12. Do not run cord under carpeting. Do not cover cord with throw rugs, runners, or similar coverings. Do not route cord under furniture or appliances. Arrange cord away from traffic area and where it will not be tripped over.

SAFETY INFORMATION

13. To reduce the risk of fire or electric shock, DO NOT use this fan with any solid state speed control devices.
14. Do not use outdoors.
15. Ensure that the fan is switched off from the supply mains before removing the grille.

SAVE THESE INSTRUCTIONS HOUSEHOLD USE ONLY

ELECTRICAL REQUIREMENTS

This appliance has a polarized plug (one blade is wider than the other). To reduce the risk of electric shock, this plug is intended to fit into a polarized outlet only one way. If the plug does not fit into the outlet, reverse the plug. If it still does not fit, contact a qualified electrician. Do not attempt to modify the plug in any way.

POWER SUPPLY CORD

1. If the power supply cord is too short, do not use an extension cord. Have a qualified electrician or serviceman to install an outlet near the appliance.
2. If it is absolutely necessary to use longer cord sets or an extension cord, extreme care must be exercised.
 - a) The marked electrical rating of the cord set or extension cord must equal to or be greater than the electrical rating of the appliance. The longer cord should be arranged so that it will not drape over the counter top or table top where it can be pulled on by children or tripped over unintentionally.

NOTE: Neither BLACK+DECKER nor the dealer can accept any liability for damage to the product or personal injury resulting from failure to observe the electrical connection procedures.

SAFETY INFORMATION

HANDLING ALKALINE BATTERIES

WARNING

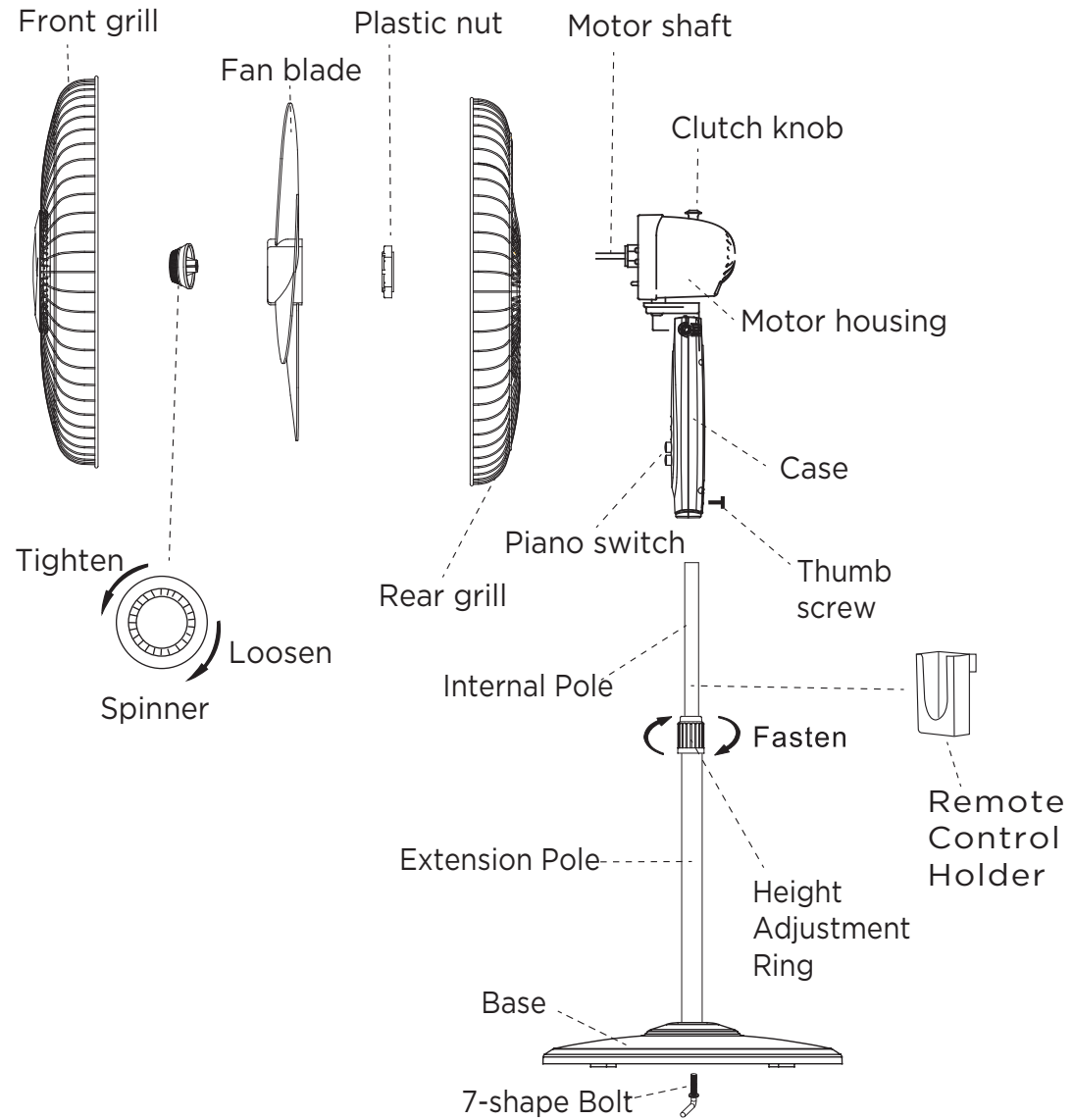
When handling alkaline batteries, basic safety precautions should be followed, including the following

1. Should fluid from the battery accidentally get into your eyes, there is a threat of loss of eyesight, do not rub them. Immediately rinse your eyes with clean tap water and then consult a physician immediately.
2. Do not put the battery in a fire, expose it to heat, dismantle or modify it. If the insulation or safety valve is damaged, the battery may leak fluid, overheat or explode.
3. Do not insert the battery with the poles reversed. Doing so may cause some abnormality or a short and the battery may leak fluid, overheat or explode.
4. Keep the battery out of the reach of children. If the battery is swallowed, contact a physician immediately.
5. If the alkali fluid gets in your mouth, rinse your mouth with water and contact a physician immediately.
6. If the alkali fluid gets on your skin or clothes, it may burn your skin, thoroughly rinse the affected area with tap water.
7. Do not mix new and old batteries or other makes of batteries. The different attributes may cause the battery to leak fluid, overheat or explode.
8. This battery was not made to be recharged. Recharging this battery may damage the insulation or internal structure and may cause the battery to leak fluid, overheat or explode.
9. Do not damage or remove the label on the exterior of the battery. Doing so may cause the battery to short, leak fluid, overheat or explode.
10. Do not drop, throw or expose the battery to extreme impact. Doing so may cause the battery to leak fluid, overheat or explode.
11. Do not alter the shape of the battery. If the insulation or safety valve is damaged, the battery may leak fluid, overheat or explode.
12. Immediately remove batteries when they have lost all power. Leaving the batteries in the unit for a long time may cause the batteries to leak fluid, overheat or explode due to gas that is generated by the batteries.

Contact your local government for disposal practices in your area.

SET UP & USE

PARTS & FEATURES

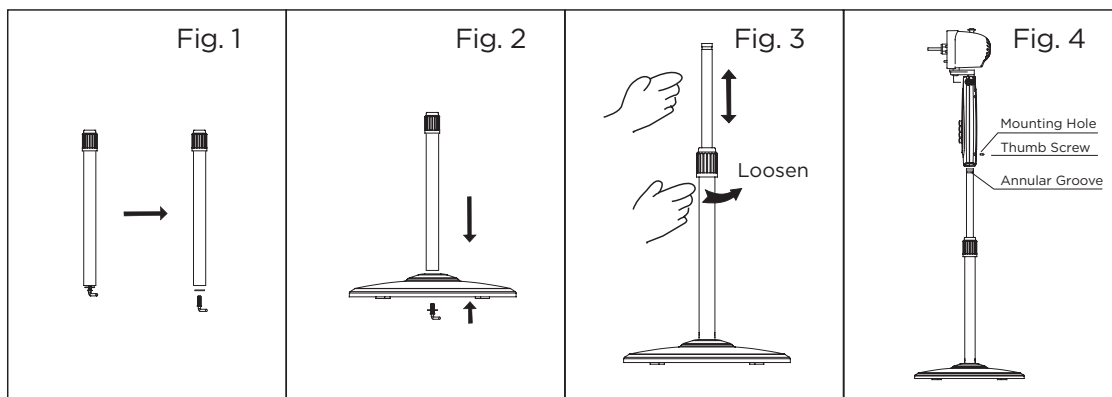


SET UP & USE

ASSEMBLY OF BASE & COLUMN UNIT

1. Unscrew the 7-shape Bolt from the Extension Pole. (see Fig. 1)
2. Insert the extension pole in the base and tighten the 7-shape Bolt. (see Fig. 2)
3. From the extension pole, loosen the height adjustment ring and adjust the internal pipe to the desired height.
NOTE: If you can't find the internal pole, it has slid inside the extension pole. You will need to retrieve it by pulling it out from the extension pole (see Fig. 3).
4. To attach the upper portion of the fan to the extension pole, loosen the thumb screw slightly on the bottom of the head unit. Place the head unit on the extension pole and tighten the thumb screw in alignment with the groove on the internal pole. (see Fig. 4).

⚠ CAUTION: Height adjustment ring must be fully fastened before the assembly of the motor housing to the extension pole.

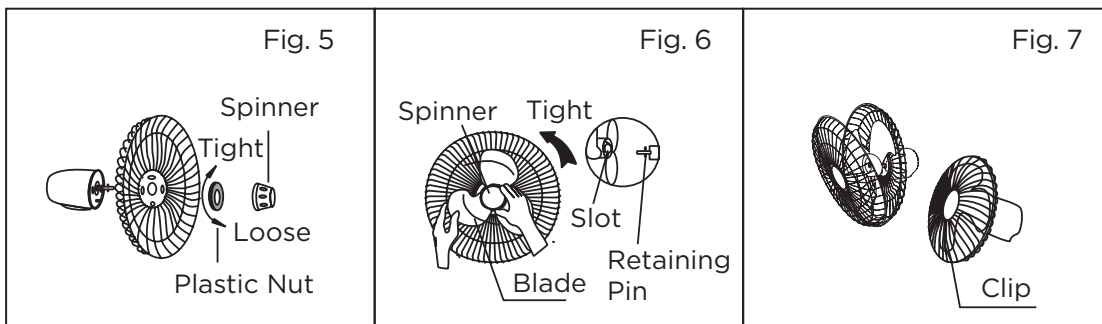


SET UP & USE

GRILL & FAN BLADE ASSEMBLY

⚠ WARNING: Never attempt to run the fan without the grill in place and properly secured. Failure to have the grill in place can result in serious injury.

1. Unscrew the spinner clockwise and the plastic nut counterclockwise to remove both of them. Fix the rear grill so it sits perfectly flush to the motor then tighten the plastic nut clockwise. (see Fig. 5)
2. Insert the blade into shaft, and make sure the rotor shaft pin is fitted into groove of the blade. Turn the spinner counterclockwise to tighten the blade. (see Fig. 6)
3. Fasten the front grill and the rear grill to each other by using the grill clips. (see Fig. 7)



SET UP & USE

OPERATION INSTRUCTIONS

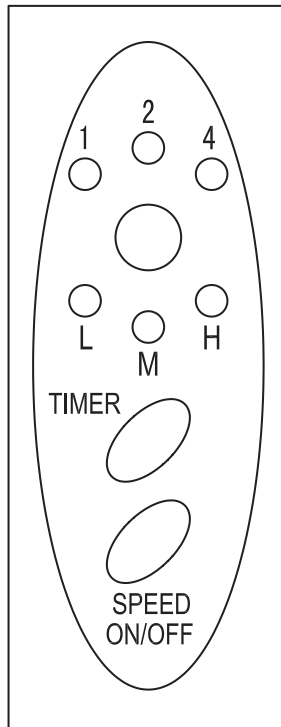
CONTROL PANEL

On the control panel, there are two keys and six indicator lights. (see Fig.8)

1. **SPEED ON/OFF KEY** - The key is for switching on the fan. The fan will be started at low speed. Press the key again, the fan will work at medium speed. Press again, it will work at the high speed. Press again, it will be switched off.
2. **TIMER KEY** - This key can be touched repeatedly or just held down as you select auto shutoff of one, two or four hours. The corresponding LED will illuminate to confirm your choice.

NOTE: Do not press the timer key if you want the fan to operate continuously.

Fig. 8



OSCILLATION CONTROL

To make the fan oscillate, press down the clutch knob located on the top of the motor housing. To resume directional airflow, pull the clutch knob up to its initial position.

TILT ADJUSTING

To adjust the air flow upward or downward, push the grill section lightly to the desired direction.

HEIGHT ADJUSTING

The height of the fan can be adjusted by loosening the height adjustment ring. Carefully raise or lower to desired height and re-tighten the height adjustment ring.

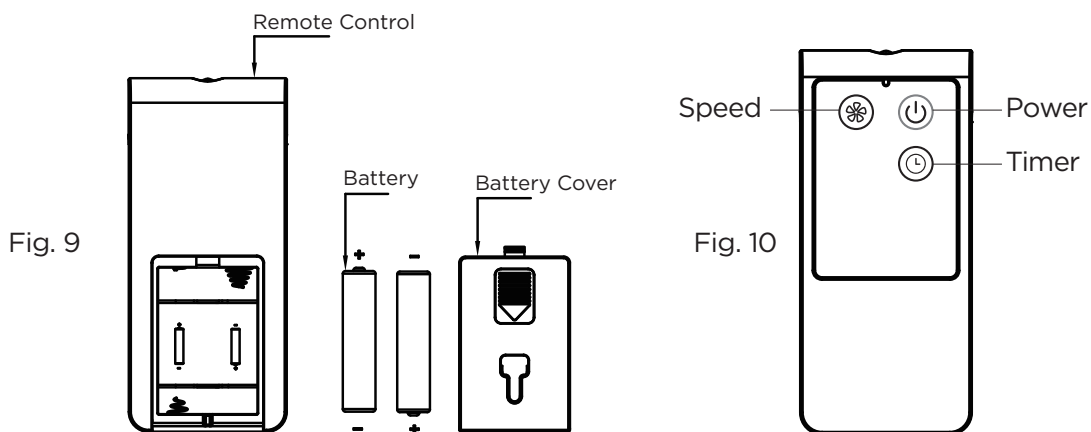
SET UP & USE

REMOTE CONTROL

1. Battery Installation (batteries not included)

- (1) Slide open the battery compartment cover.
- (2) Insert 2 x "AAA" batteries as shown in Fig. 9.
- (3) Slide back on the battery cover.

NOTE: Use size "AAA" alkaline batteries. Do not use rechargeable batteries.



2. Operation

On the remote control, there are three keys. (see Fig. 10)

- (1) POWER: The key is for switching the fan ON and OFF
- (2) SPEED: The key is for setting fan speed. Press once and the fan will be started at slow speed. Press the key again, the fan will work at medium speed. Press again, it will work at high speed.
- (3) TIMER: The key can be touched repeatedly or just held down as you select the timer for auto shutoff of one, two or four hours.

SET UP & USE

REPLACING THE FUSE

- Disconnect fan from power outlet by grabbing the plug at the end of the cord. Do not unplug by pulling the cord itself
- Open fuse cover located in the side of the power cord plug by sliding it toward the plug blades (Fig 1)
- Remove fuse carefully by taking a small tool and slowly prying out one end. Once you have one end out, slowly pry out the other end.
- To avoid the risk of fire, replace only with similar 2.5 Amp, 125V fuse.
- Close fuse cover by sliding cover toward the top of the plug.

CAUTION: Do not attempt to replace the plug itself. Discard the product entirely if the plug itself is damaged.

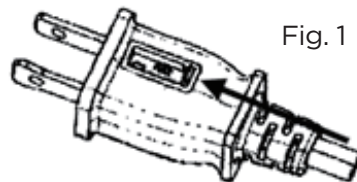


Fig. 1

CLEANING AND MAINTENANCE

⚠ WARNING: Never attempt to run the fan without the grill in place and properly secured. Failure to have the grill in place can result in serious injury. Be sure to unplug from the electrical supply source before cleaning. Be sure not to get water or any other liquid inside the motor.

- Plastic parts of the fan should be cleaned with mild soap and a damp cloth or sponge. Rinse with clean water to remove any soapy film residue.

TROUBLESHOOTING & WARRANTY

BEFORE YOU CALL FOR SERVICE

IF THE APPLIANCE FAILS TO OPERATE:

- A) Check to make sure that the appliance is plugged in securely. If it is not, remove the plug from the outlet, wait 10 seconds and plug it in again securely.
- B) Check for a blown circuit fuse or a tripped main circuit breaker. If these seem to be operating properly, test the outlet with another appliance.

IF NONE OF THE ABOVE SOLVES THE PROBLEM, CONTACT A QUALIFIED TECHNICIAN. DO NOT TRY TO ADJUST OR REPAIR THE APPLIANCE YOURSELF.

IMPORTANT

DO NOT RETURN THIS PRODUCT TO THE STORE

If you have a problem with this product, please contact the W Appliance Co. Customer Satisfaction Center at 844-299-0879 or service@appliance.com.

**DATED PROOF OF PURCHASE, MODEL # AND SERIAL #
REQUIRED FOR WARRANTY SERVICE**

Troubleshoot your problem by using the chart below. If the appliance still does not work properly, contact W Appliance Co. customer service center or the nearest authorized service center. Customers must never troubleshoot internal components.

TROUBLE	POSSIBLE CAUSE	POSSIBLE REMEDY
Appliance does not turn on	Appliance is not plugged in	Check that appliance is plugged into a working outlet
	The fuse cover may be open	Disconnect the plug from outlet and close the cover of the fuse.

SPECIFICATIONS

- Unit Dimensions (W x D x H): 17.72" x 15.75" x 49.21"
- Net Weight: Approx. 11.02 lbs.

TROUBLESHOOTING & WARRANTY

LIMITED WARRANTY

Any repair, replacement, or warranty service, and all questions about this product should be directed to W Appliance Co. at **844-299-0879** from the USA or Puerto Rico.

W Appliance Co. warrants to the original purchaser that the product will be free from defects in material, parts and workmanship for the period designated for this product. The warranty commences the day the product is purchased and covers up to a period of **1 year (12 months) for labor/1 year (12 months) for parts (manufacturing defects only)**.

W Appliance Co. agrees that it will, at its option, replace the defective product with either a new or remanufactured unit equivalent to your original purchase during the warranty period.

Exclusions: This warranty does not apply to the below:

1. If the appearance or exterior of the product has been damaged or defaced, altered or modified in design or construction.
2. If the product original serial number has been altered or removed or cannot be readily determined.
3. If there is damaged due to power line surge, user damage to the AC power cord or connection to improper voltage source.
4. If damage is due to general misuse, accidents or acts of God.
5. If repair attempts are done by unauthorized service agents, use of parts other than genuine parts or parts obtained from persons other than authorized service companies.
6. On units that have been transferred from the original owner.
7. On products that have been purchased as refurbished, like new, second-hand, in a "As-Is" or "Final Sale" terms.
8. To products used in a commercial or rental setting.
9. To products used in settings other than ordinary household use or used other than in accordance with the provided instructions.
10. To damages for service calls for improper installations.
11. Transportation and shipping costs associated with the replacement of the unit.
12. Service calls to instruct you how to use your product.
13. Service calls to repair or replace the house fuse, reset the circuit breaker or correct the wiring in the house.

REPAIR OR REPLACEMENT AS PROVIDED UNDER THIS WARRANTY IS THE EXCLUSIVE REMEDY OF THE CUSTOMER; W Appliance Co. SHALL NOT BE LIABLE FOR ANY INCIDENTAL OR CONSEQUENTIAL DAMAGES FOR BREACH OF ANY EXPRESS OR IMPLIED WARRANTY ON THIS PRODUCT, EXCEPT TO THE EXTENT PROHIBITED BY APPLICABLE LAW. ANY IMPLIED WARRANTY OF MERCHANTABILITY OF FITNESS FOR A PARTICULAR PURPOSE ON THIS PRODUCT IS LIMITED TO THE DURATION OF THE WARRANTY.

Some states do not allow the exclusion or limitations of incidental or consequential damages, or limitations on how long the warranty lasts. In these cases the above exclusions or limitations may not apply to you. This warranty gives you specific legal rights and you may also have other rights which vary from state to state.

Obtaining Service: To obtain service, product literature, supplies or accessories please call **844-299-0879** to create a ticket for exchange/repair. Please make sure to provide the date of purchase, model number and a brief description of the problem. Our customer service representative will contact you or send detailed return instructions.

W Appliance Co. does not warrant that the appliance will work properly in all environmental conditions, and makes no warranty and representation, either implied or expressed, with respect to the quality, performance, merchantability, or fitness for a particular purpose other than the purpose identified within this user's manual. W Appliance Co. has made every effort to ensure that this user's manual is accurate and disclaims liability for any inaccuracies or omissions that may have occurred. Information in this user's manual is subject to change without notice and does not represent a commitment on the part of W Appliance Co.. W Appliance Co. reserves the right to make improvements to this user's manual and/or to the products described in this user's manual at any time without notice. If you find information in this manual that is incorrect, misleading, or incomplete, please contact us at **844-299-0879**.

W Appliance Co.
1356 Broadway
New York, NY 10018

This device complies with part 15 of the FCC rules. Operation is subject to the following two conditions: 1) This device may not cause harmful interference, and 2) This device must accept any interference received, including interference that may cause undesired operation. This equipment has been tested and found to comply with the limits for a Class B digital device, pursuant to Part 15 of the FCC rules. These limits are designed to provide reasonable protection against harmful interference in a residential installation. This equipment generates, uses and can radiate radio frequency energy and, if not installed and used in accordance with the instructions, may cause harmful interference to radio communications. However, there is no guarantee that the interference will not occur in a particular installation. If this equipment does cause harmful interference to radio or television reception, which can be determined by turning the equipment off and on, the user is encouraged to try to correct the interference by one or more of the following measures: a) Reorient or relocate the receiving antenna. b) Increase the separation between the equipment and the receiver. c) Connect the equipment into an outlet different from that which the receiver is connected. d) Consult the dealer or an experienced radio/TV technician for help.

BLACK & DECKER, BLACK+DECKER, the BLACK & DECKER and BLACK+DECKER logos and product names and the orange and black color scheme are trademarks of The Black & Decker Corporation, used under license. All rights reserved.

Product in this box may differ slightly from that pictured. Does not affect function. Not all accessories shown in photography are included in this package.

Imported by W Appliance, Inc., 1356 Broadway, New York, NY 10018

March 2017

Printed in China