



Accessories for the Range



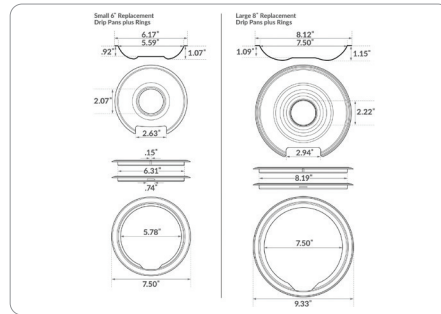
Your Appliance Connection Solution®



Chrome Style E Hinged Replacement Drip Pans Plus Rings, 2 Large 8" & 2 Small 6"

for Whirlpool®, Kenmore®, Frigidaire® & Maytag® Electric Ranges

50004-C | UPC: 086844500043



DESCRIPTION:

For years, licensed plumbers, electricians and appliance installers have relied on the Certified Appliance Accessories brand for their power cords, hoses and connectors. Now you can too. In addition to reliable and durable connectivity solutions, Certified Appliance Accessories carries high-quality replacement parts for electric ranges. The Chrome Style E 2 Large 8 in. and 2 Small 6 in. Replacement Drip Pans Plus Rings are a quality product specifically designed for electric ranges found in homes and apartments. These 4 drip pans are an easy and convenient way to improve your stove top's appearance and cooking efficiency. They have been thoroughly tested and are backed by a 5-year limited warranty. Check your appliance's manual for the correct specifications to ensure these are the right drip pans for you. Thank you for choosing Certified Appliance Accessories—Your Appliance Connection Solution.

Package Dimensions:

Width: 10.4 in. Length: 10.6 in.
Height: 2.8 in. Weight: 1.45 lbs.

Shippable to: US, Canada and Mexico

Warranty: 5-year warranty

FEATURES:

- Meets or exceeds industry certification standards & requirements of most appliance manufacturers
- For electric ranges only
- Updates the appearance of stove or range top
- Chrome finish reflects heat—improving energy efficiency & speeding cooking time
- Compatible with most Style E hinged Whirlpool®, Kenmore® (2004+), Frigidaire®, Maytag®, Electrolux®, Tappan®, Amana®, Crosley® & RCA® electric ranges
- Not compatible with most GE®, Hotpoint® or Kenmore® (1995 to 2003) ranges
- Easy to clean using mild soap, soft sponge or cloth & warm water—harsh materials should not be used

KIT CONTAINS:

- Set of 4 Style E chrome drip pans plus 4 rings for hinged burners
 - ◊ 2 small drip pans; dimensions, rounded: 6-1/4" outer dia. & 1" D
 - ◊ 2 small rings; outer diameter, rounded: 7-1/2"
 - ◊ 2 large drip pans; dimensions, rounded: 8-1/2" outer dia. & 1-1/8" D
 - ◊ 2 large rings; outer diameter, rounded: 9-1/8"