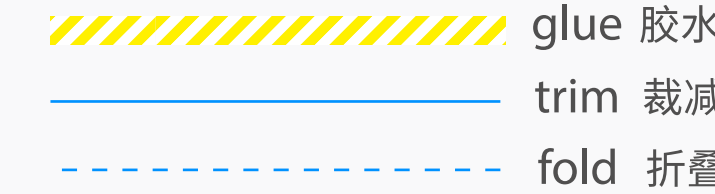


H20 书本式说明书

BOOK MANUAL

SIZE: 85mm x 55mm x 20P
 COLOR: BLACK
 UPDATE : 2021.05.14

印刷须知: 在指定区域裁减, 划痕, 折叠和粘贴胶水。
PRESS WORK / NOTES: Trim to size, score, fold & glue in specified areas



不要印刷刀模线和尺寸标注
 DO NOT PRINT DIE LINES or DIMENSION

说明书工艺要求:
 材质: 使用128g铜版纸, 印刷内容如设计稿所示。
 封面封底过哑胶。
 装订形式: 书本式, 骑马钉结构 (2个)

ARTWORK NOTES:
MATERIAL: 128G artpaper, printing content as shown in the design file. Cover and back cover use matte film.
NOTES:
 book-style, horse-riding nail structure (2 pieces)

FRONT COVER

封面



INTRODUCTION
 Welcome to your new Raycon H20 Wireless Headphones! At Raycon, we develop and design innovative electronics so you can move and conquer your daily fast-paced life. Before using your product, we strongly encourage you to fully read through this user manual. You can also visit our support center at www.rayconglobal.com/support. The web page has more specific guidelines and videos to help you navigate your product. For best performance, charge fully before first use.
Pairing ID: Raycon Headphones H20

QUICK START GUIDE
 1. Press and hold **U**, for about 3 seconds to power on. Headphones will enter pairing mode automatically.

2. From the source device, go to Bluetooth settings and ensure Bluetooth is on. Search for "Raycon Headphones H20" and select it to pair.

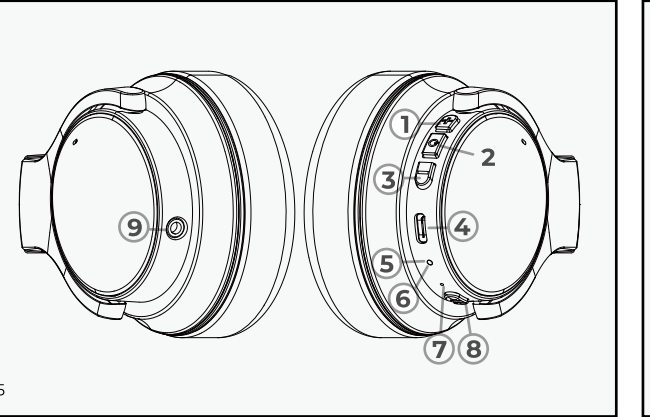
 3. Enjoy your Raycon H20 Headphones!

UNIT AT A GLANCE

1. Volume + / Next	6. Charging indicator
2. Power ON / OFF	7. Microphone
3. Volume - / Previous	8. ANC / Awareness Mode/ Sound Profiles
4. Charging port	9. AUX-IN
5. Light indicator	

INCLUDED

- H20 Headphone
- User Manual
- 3.5 mm Audio Cable
- USB Charging Cable



FUNCTIONS

SWITCH CONTROL		
U	Power on	Hold for 3 seconds
	Power off	Hold for 3 seconds
MEDIA PLAYER CONTROL		
U	Play	Press
	Pause	Press
+	Volume +	Press
	Next	Hold for 2 seconds

-	Volume -	Press
	Previous	Hold for 2 seconds
PHONE CALL CONTROL		
U	Answer a call	Press
	End a call	Press
	Reject a call	Hold for 2 seconds
	Redial the last number	Press 2 times

AWARENESS & ANC MODE

Awareness Mode	Hear what's happening around you.
Active Noise Cancelling (ANC) MODE	Focus and block out unwanted noise.
ANC CONTROL	
NC	Active Noise Cancelling
	Awareness Mode
	TURN OFF ANC / Awareness

SOUND PROFILES

Balanced Sound	A leveled sound that is great for all around performance and clarity.
Bass Sound	Our bass boosted sound, great for songs with strong beats and a go-to for bass lovers.
Pure Sound	Our signature sound, designed by artists and producers at the top of the industry.
TOGGLE BETWEEN SOUND PROFILES	
NC	Balanced Sound
	Bass Sound
	Pure Sound

CLEAR PAIRED DEVICES
 Clear paired devices Hold **U** and **-** buttons for 5 seconds in Bluetooth pairing mode to clear paired devices.

TROUBLESHOOTING
Cannot power on Check that the battery is fully charged before using the device.

No sound when connected to a device via Bluetooth
 - Check the volume and play / pause button functions on the device and headphones to ensure that the Bluetooth connection is set up correctly.
 - Before connecting the headphones, test the playback of the file on your Bluetooth device.
 - Ensure that no other Bluetooth devices interfere with the current Bluetooth connection.

No sound when connected to an external device by 3.5mm audio AUX cable
 - Check the volume level of the connected device and the headphones, check the play / pause button on the connected device, and ensure that the line connecting the device and the headphones is intact and securely connected.
 - Before connecting the headphones, test the playback of the file on your source device.

FAQ & ADDITIONAL RESOURCES
 For frequently asked questions about your device, simply go to www.rayconglobal.com/support.
 Select your product to find additional resources on how to operate your product, including helpful tips and videos.

SUPPORT
 If your device is not functioning correctly, simply go to www.rayconglobal.com/support for customer support, and we will be more than happy to help you.

LIMITED WARRANTY
 For more information and instructions on how to get warranty service, visit www.rayconglobal.com/warranty.

SAFETY GUIDELINES
 Please follow the safety guidelines below at all times when operating or caring for your device.

- Be wary of any edges, uneven surfaces, and metal parts, including on accessories and product packaging, to prevent any possible injury or damage.
- Listen to music at a proper volume to avoid damaging your hearing and headphones.
- Do not store in high temperatures, such as in a hot vehicle or in direct sunlight.
- Do not expose the headphones or any of its supplied parts to rain or other liquids.
- Do not drop or cause undue impact to the headphones.
- Do not modify, repair, or dismantle the product on your own.
- Do not use any dilutant or volatile liquid to clean the product.
- Do not use the product in a hazardous location.

SPECIFICATIONS

Pairing Name: Raycon H20 Headphones
 Bluetooth Version: 5.0
 Power Input: DC 5V /1A
 Li-battery Capability: 500mAh
 Bluetooth Playtime: About 22 hours
 Noise Cancelling Playtime: About 60 hours
 Charging Time: About 2 hours
 Support Profile: A2DP /AVRCP /HFP /HSP
 Frequency Response: 20Hz-20KHz
 Noise Reduction Parameters: 28 ±2dB
 Bluetooth Operating Range: ≤ 10 m

FCC WARNING
 This device complies with part 15 of the FCC Rules. Operation is subject to the following two conditions: (1) this device may not cause harmful interference, and (2) this device must accept any interference received, including interference that may cause undesired operation. Any changes or modifications not expressly approved by the party responsible for compliance could void the user's authority to operate the equipment.

NOTE: This equipment has been tested and found to comply with the limits for a Class B digital device, pursuant to Part 15 of the FCC Rules. These limits are designed to provide reasonable protection against harmful interference in a residential installation. This equipment generates, uses, and

can radiate radio frequency energy and, if not installed and used in accordance with the instructions, may cause harmful interference to radio communications. However, there is no guarantee that interference will not occur in a particular installation.

If this equipment does cause harmful interference to radio or television reception, which can be determined by turning the equipment off and on, the user is encouraged to try to correct the interference by one or more of the following measures:
 - Reorient or relocate the receiving antenna.
 - Increase the separation between the equipment and receiver.

- Connect the equipment into an outlet on a circuit different from that to which the receiver is connected.
 - Consult the dealer or an experienced radio/TV technician for help. The device has been evaluated to meet general RF exposure statement. The device can be used in portable exposure condition without restriction.

IC CAUTION:
 - English:
 This device complies with Industry Canada licence-exempt RSS standard(s).
 Operation is subject to the following two conditions:
 (1) This device may not cause interference, and

(2) This device must accept any interference, including interference that may cause undesired operation of the device.

- French:
 Le présent appareil est conforme aux CNR d'Industrie Canada applicables aux appareils radio exempts de licence. L'exploitation est autorisée aux deux conditions suivantes:
 (1) l'appareil ne doit pas produire de brouillage, et
 (2) l'utilisateur de l'appareil doit accepter tout brouillage radioélectrique subi, même si le brouillage est susceptible d'empêcher le fonctionnement.

FCC ID: 2AZOV-RBH820
 IC: 27185-RBH820



BACK COVER

封底