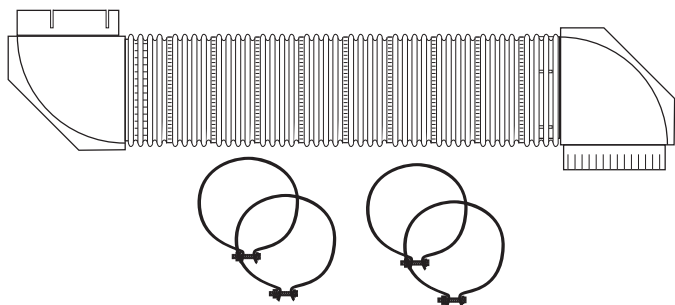


Installation Instructions

UL® Loop Kit

Model V450-TD-LOOP



CONTENTS:

- One UL® flexible metal (semi-rigid) transition duct
- Two Close Elbows® preattached to the duct
- Four 4" steel screw clamps

BEFORE YOU BEGIN

Read these instructions completely and carefully:

- **IMPORTANT** - Save these instructions for local inspector's use. Observe all governing codes and ordinances.
- **Note to Installer** - Be sure to leave these instructions with the consumer.
- **Note to Consumer** - Keep these instructions with your owners manual for future reference.
- **Skill Level** - Installation of this clothes dryer exhaust requires basic mechanical skills. Proper installation is the responsibility of the installer.
- **Completion Time** - approximately 10-15 minutes. We recommend that you install your dryer before installing your washer. This will permit direct access for easier exhaust connection.

⚠ WARNING

IMPORTANT SAFETY INSTRUCTIONS

To reduce the risk of fire or injury to persons, follow basic precautions, including the following:

1. For use with clothes dryers only, do not use for any other purposes.
2. Keep area around the exhaust opening and adjacent surrounding areas free from the accumulation of lint, dust, and dirt.
3. The interior of the exhaust duct should be cleaned periodically (at least once a year) by qualified service personnel.
4. A gas dryer must always be vented outdoors.
5. Regularly inspect the exhaust duct to be sure that it has not become crushed or otherwise restricted.

SAVE THESE INSTRUCTIONS

⚠ WARNING

To reduce the risk of fire or personal injury:

INSTALLATION INSTRUCTIONS

- Do not terminate exhaust in a chimney, a wall, a ceiling, in a concealed space of the building, in a gas vent, under an enclosed floor (crawl space) or into an attic. This dryer must be exhausted to the outdoors.
- Screws which may catch lint shall not be used to secure duct parts together.
- Flexible ducts are to be extended for their full length, any excess duct is to be removed; keep duct as straight as possible.
- Follow local building codes.
- Maximum length of duct is 8 feet.
- Use only metal duct. We do not recommend plastic or other combustible easy-to-puncture ductwork.
- Provide an access for inspection and cleaning of the exhaust system, especially at turns. Inspect and clean at least once a year.
- Never terminate the exhaust into a common duct with a kitchen exhaust.
- Do not obstruct incoming or exhausted air.

⚠ WARNING

To reduce the risk of fire or personal injury:

Before beginning the installation, turn off the circuit breaker(s) or remove the dryer's circuit fuse(s) at the electrical box. Be sure the dryer cord is unplugged from the wall.

TOOLS YOU WILL NEED:

- ❑ #2 Phillips-head screwdriver or 1/4" nut driver



- ❑ Tin snips

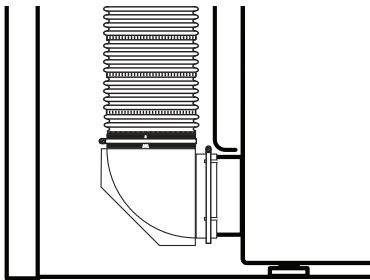


BEFORE INSTALLATION

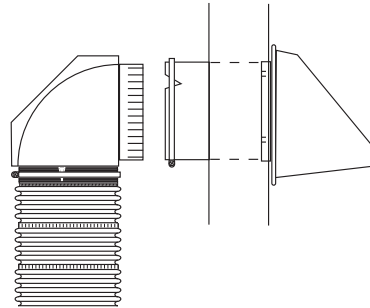
Determine the length from the center of the dryer pipe to the wall pipe. Gently stretch the flexible metal duct uniformly to the desired length.



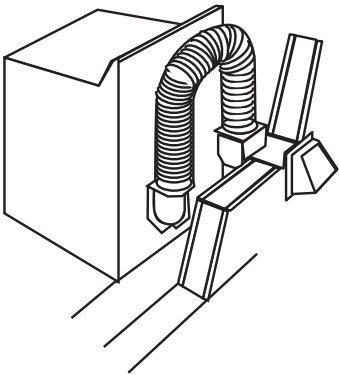
- 1 To connect the elbow to the dryer, position a clamp so that it covers the slot in the elbow. Slide the elbow over the dryer exhaust pipe. Tighten clamp.



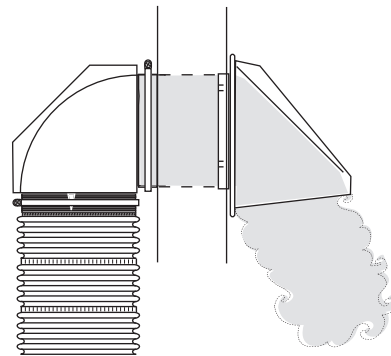
- 2 When connecting to a tailpipe vent, cut one to three, 1" long slits in tailpipe. Position a clamp so it covers the slit(s) in the vent tailpipe. Insert crimped fitting into tailpipe. Tighten clamp.



- 3 Remove excess duct by compressing the duct to the shortest possible length. Guide dryer into position, being careful not to crush the duct. Joints on elbows swivel to allow motion.



- 4 Check installation by inspecting airflow outside. Verify hood flapper is pushed fully open when the dryer is turned on.



Printed in U.S.A.

Parts are covered by US patents: 5,121,948; D.342,782;
Canadian patents 2,062,123; 2,063,098; Builder's Best, Inc.,[®]
and/or patents pending. Close Elbow[®] is a registered trademark of Builder's Best, Inc.

Lit.No. 905-011693 rev. date 12/28/11