

HANGMAN®

hangmanproducts.com

Find us
@hangmanproducts



Share your installation video with
#hangitlikeapro for a chance to be featured!

Have a question? Give us a call.
(818)-610-0487 | Mon-Fri | 7am-6pm PST



Scan QR for
installation video

For installation in Drywall,
Plaster, or Paneling.

For other wall surfaces, please use
our All Surface TV Hanger (WD-2060)



WARNING:
CHOKING HAZARD — Small parts not for children under
3 years or any individuals who have a tendency to place
inedible objects in their mouths.

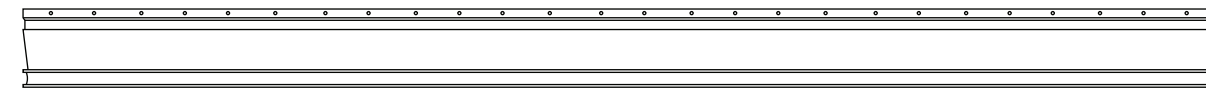
WARNING: Before starting assembly, verify all parts are
included and undamaged. If any parts are missing or
damaged, do not return to your dealer; contact customer
service. Never use damaged parts!



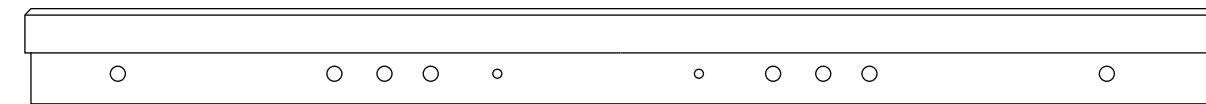
CAUTION: This S-2065 mount is intended for use
only with LED displays weighing up to 80lbs.
Use with products heavier than 80lbs may result in collapse
of the mount and its accessories causing possible injury.

© Hangman Products 2020

Parts List:



(1) 26" No Stud
Wall Bracket



(1) 26"
TV Bracket



(1) Bubble Level



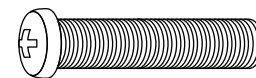
(26) Nails



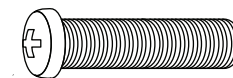
(2) Small Washers
For 4mm Bolts



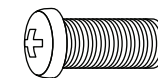
(6) Bolt Washers



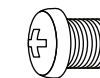
(2) M8 (8mm)
x 45mm Bolts



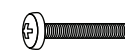
(2) M8 (8mm)
x 35mm Bolts



(2) M8 (8mm)
x 20mm Bolts



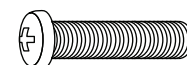
(2) M8 (8mm)
x 16mm Bolts



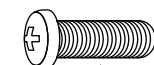
(2) M5 (5mm)
x 35mm Bolts



(2) M5 (12mm)
x 12mm Bolts



(2) M6 (6mm)
x 35mm Bolts



(2) M6 (6mm)
x 20mm Bolts



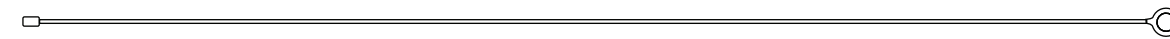
(2) M6 (6mm)
x 12mm Bolts



(2) M4 (4mm)
x 35mm Bolts



(2) M4 (4mm)
x 12mm Bolts



(1) Security cable (1) 1.5" screw for security cable



S-2065

HANGMAN

NOSTUD 65" TV HANGER

No experience necessary. Hang your TV in minutes!



Made in the USA
of 85% American
components



Easy
Installation



Uses Tiny
Picture Nails



Bubble level
included



Holds up to
80 lbs.



Use in Drywall,
Plaster, or Paneling



FIXED MOUNT-HOLDS 80lbs

32-65"

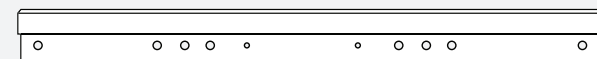


1. Install TV Mounting Bracket

Place the TV face down on a soft surface where it is secure and stable. If your TV is already attached to a base, it must be removed before beginning the installation.

The VESA holes on the back of the TV are either 100mm, 200mm, 300mm, 400mm or 600mm depending on the brand of the TV. This kit includes all sizes.

Attach TV mounting bracket to the top 2 holes using the appropriate bolts. This kit also includes different lengths of each size. Hand tighten to choose appropriate length then use a handheld Phillips screwdriver and tighten until snug. Do not overtighten.



IMPORTANT

Too Short

Too Long

Correct

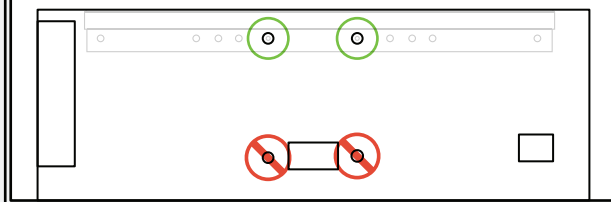
Use washers if bolts are too long

Note: It is very important to select the correct bolt length and diameter that fits your specific TV. This kit includes all sizes.

Installing On Smart TVs

Some smart TVs may have holes located towards the center. Install the TV bracket in holes "closest to top" in relation to any bottom holes.

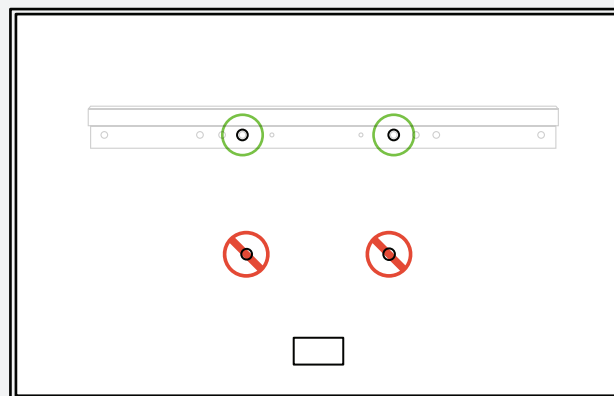
Do not install bracket into bottom holes on your TV. Install into VESA holes closest to the top edge of your TV.



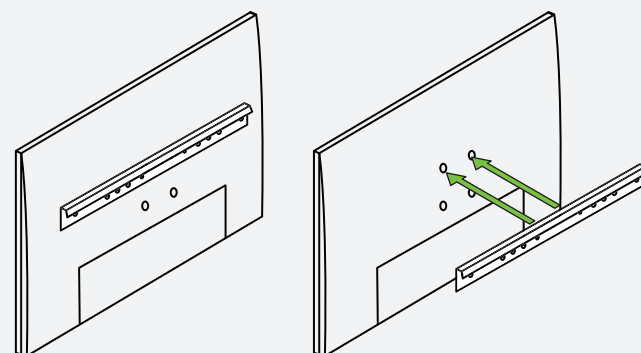
Back of TV

Installing On Other TVs

Most TVs have 4 holes located on the back in the below configuration. Make sure to always choose the top two holes when installing the bracket.



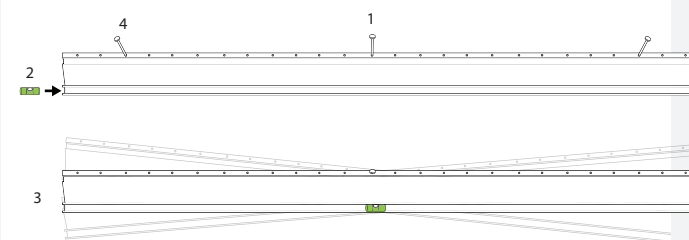
Back of TV



2. Install No Stud Wall Bracket

Hold the wall bracket in place and install center nail first (1). This will allow you to easily adjust the bracket while leveling (3).

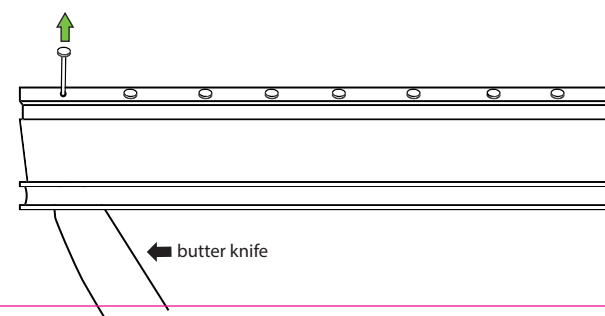
Insert bubble level into track (2), adjust until level, then install the remaining nails (4).



* It's recommended to feed the security cable through the TV bracket before hanging your TV. Please refer to step one in the included Security Cable Installation sheet.

How to remove the No Stud Wall Bracket

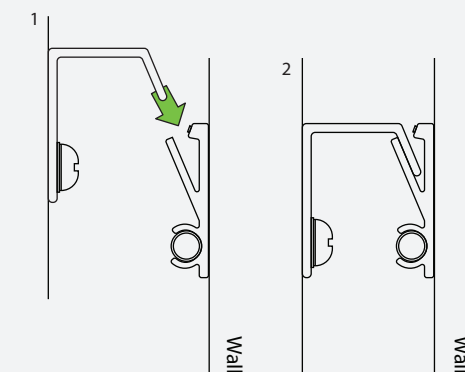
Need to move or want your TV in a different room? Using a butter knife, gently slide under the wall bracket and leverage upward and forward to loosen the bracket and nails from the wall. Once the nails are loose, pull each nail one by one using your fingers or pliers.



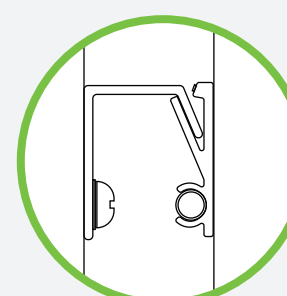
3. Hang TV And Install Security Cable

Hang TV by engaging the TV bracket on top of the wall bracket. It can also be tilted out from the bottom for easy cable access.

IMPORTANT: Make sure to fully and properly engage the TV bracket with the wall bracket



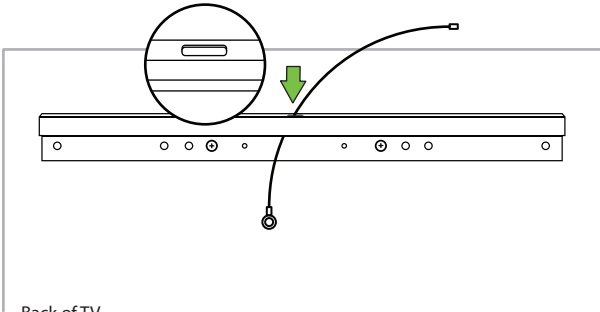
Incorrect



Correct

Security Cable Installation

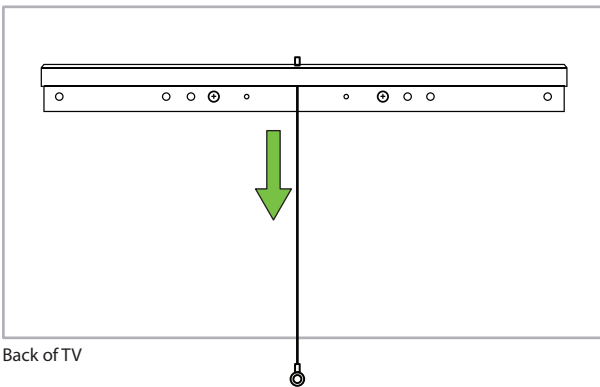
The weight of the TV in the bracket will hold the TV securely in place under normal conditions. The Security Cable adds an extra layer of protection in case the TV is bumped from underneath.



Back of TV

* 1. FEED SECURITY CABLE THROUGH TV BRACKET

Feed cable loop-first through the rectangular opening located on the top of the TV mounting bracket.

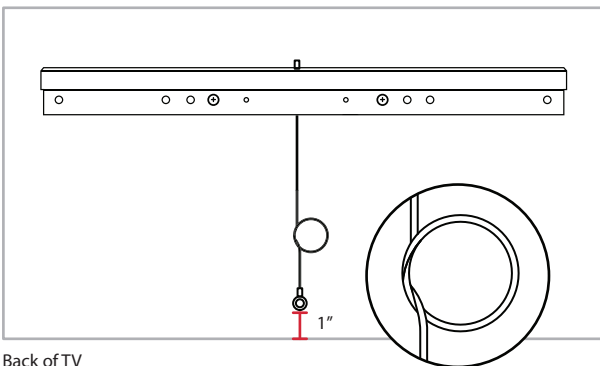


Back of TV

2. PULL THE CABLE ALL THE WAY DOWN AND ADJUST THE LENGTH IF NEEDED.

If the security cable is visible below the bottom edge of your TV, tie knots in the cable to reduce its length.

The cable should be 1" from the bottom edge of your TV.
Tie multiple knots if needed to achieve this length.

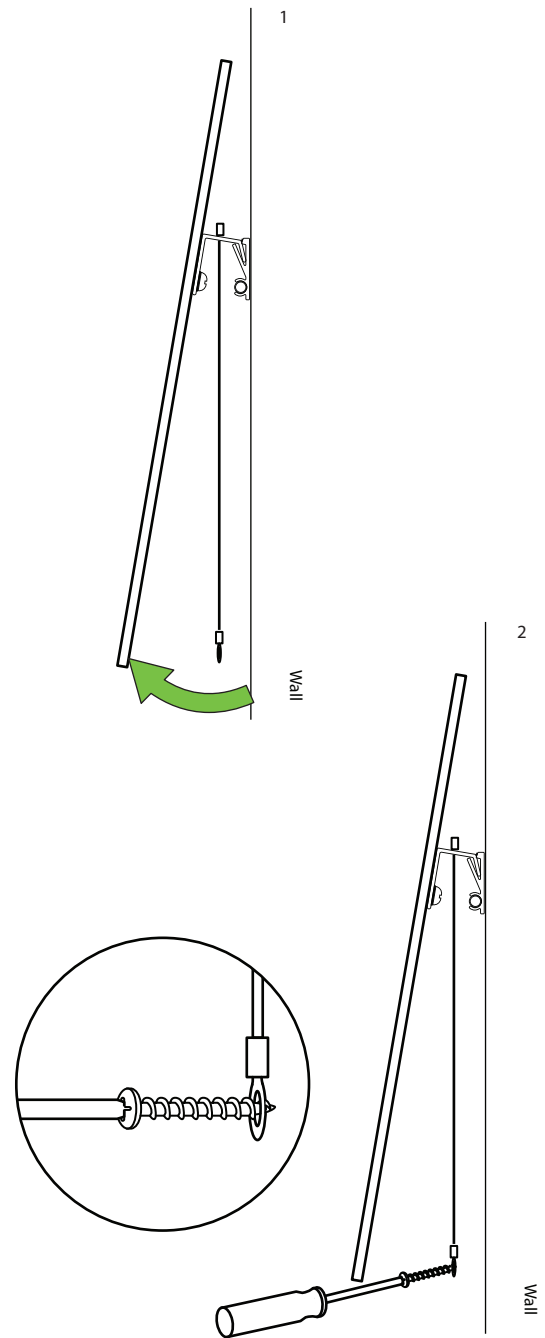


Back of TV

Continue To Back →

3. TILT BOTTOM OF TV UP AND FASTEN SECURITY CABLE TO THE WALL

Tilt the bottom of the TV up to allow access to the security cable(1). Using a hand held Philips-head screwdriver, fasten the security cable to the wall(2). Do not over tighten.



HANGMAN®

Have a question? Give us a call.
(818)-610-0487 | Mon-Fri | 7am-6pm PST