



# Solar Post Cap Light - Black (2-Pack)

Model No. ELI0961V

## INSTALLATION INSTRUCTIONS

PLEASE READ CAREFULLY AND SAVE THESE INSTRUCTIONS, AS YOU MAY NEED THEM AT A LATER DATE.

### ! IMPORTANT SAFETY OPERATING INSTRUCTIONS

1. Please read all warning and instruction labels which are included in the box and fixture to avoid personal injury, property damage caused by fire, cuts, bruises, death and other dangers.
2. Please follow these general precautions before installing, maintaining, or fixing

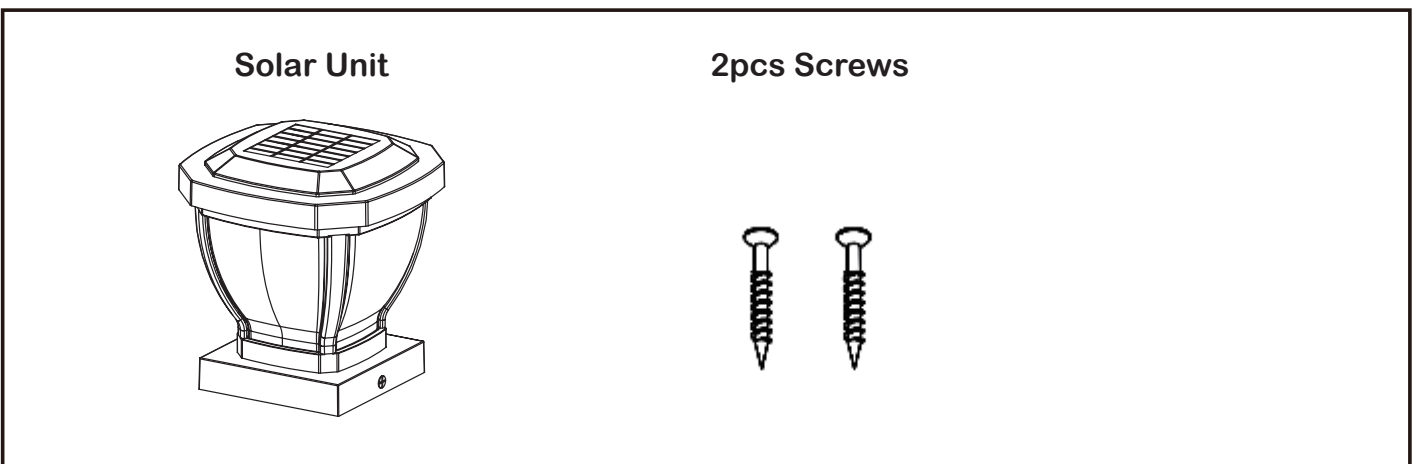
### ! WARNING

1. The packing contains small parts that could be swallowed by children
2. Keep the packaging material away from children and pets
3. The solar light is not a toy
4. We do not take responsibility if the instruction manual is not followed correctly or if the product is handled improperly resulting in damage to person or property

### PRECAUTION

1. It is important to select an outdoor location with full, direct sunlight where the solar panel can receive at least 8 hours of sunlight each day.
2. It is important to avoid placing the solar light by light sources, such as street lights or porch lights, which may cause the solar light to turn off automatically.
3. To avoid explosion and corrosion, please keep the solar light away from fire and humid environment
4. No striking to avoid any damages to solar cell

### REF. PARTS



### PARAMETER:

1. Dimension: approx. W.5.63"(14.3cm) x H.6"(15.2cm) x D. 5.63" (14.3cm)
2. Light source: 1pc white LED
3. Brightness: 12lumens



# Solar Post Cap Light - Black (2-Pack)

Model No. ELI0961V

## INSTALLATION INSTRUCTIONS

PLEASE READ CAREFULLY AND SAVE THESE INSTRUCTIONS, AS YOU MAY NEED THEM AT A LATER DATE.

### HOW TO OPERATE AND INSTALL

#### Figure 1

- Gently remove all parts from the package and lay them out on a smooth surface.
- Twist the Plastic Housing anti-clockwise and remove it from the Solar Panel Unit.
- Slide the switch which is on the bottom of the Solar Panel Unit to "ON" position
- Align the tab on the top of the Plastic Housing into the slot on the bottom of the Solar Panel Unit. Then clockwise twist the Solar Panel Unit to tighten.

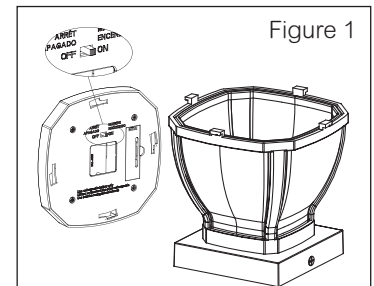


Figure 1

#### Figure 2

- Mount post cap directly onto a post. Secure the light onto the post by inserting the 2 screws into the post cap as shown in Figure 2.

Note: Lights may have a protective film over the solar panel. This must be removed prior to use.

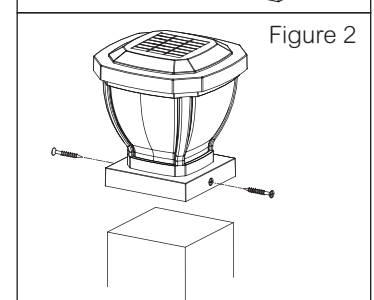
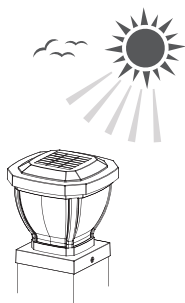


Figure 2

### HOW IT WORKS



Solar panel collects sunlight to charge the battery (included) during the day



Automatically turns on at dusk for up to 8 hours of nighttime illumination

### CLEANING AND MAINTENANCE

1. Use a damp cloth to clean the solar panel
2. To avoid any damage to this light, please do not use any chemical or abrasive cleaner

### RECHARGEABLE BATTERY

This product contains (1) 1.2V AA 900mAh Ni-MH rechargeable battery. When the battery expires, it must be recycled or disposed of properly. Please contact your local waste disposal authority for correct procedure. Do not put battery into fire.

#### Battery replacement

1. Twist the Plastic Housing and remove it from the Solar Panel Unit.
2. Open the battery chamber cover on the bottom of solar panel unit.
3. Replace the old battery with a new battery making sure the polarity is correct.
4. Reposition the battery cover tightly

