



TRIPLE HEAD LED SECURITY LIGHT



the bright way to do home security.

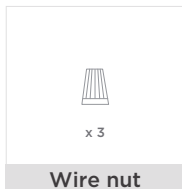
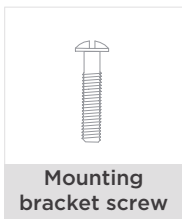
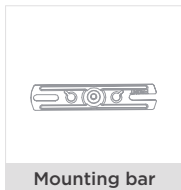
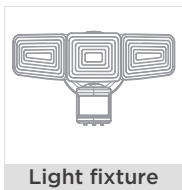
TESTRITE POS 540 File Information		Division: 110190 (20)	File NO.: 202 10145	Packaging Design Implementation Confirmation	
Client: Amazon	Client ID: 10183608	Item NO.: 63809190		Sales Division	Design Division
Packaging Description: 3M		Package Size: 10x15cm		Applicant	Designer
Customer: Amazon (China) 420209		Finish Date:		Amy	Fanny
Product: 63809190	63809190	Signed by Applicant & Sales Division 2023/10/25 for all items			



請注意，PDF檔僅供參考，請勿用於印刷，印刷請用Ai檔。
Attention: PDF file is ONLY for reference, DO NOT use for printing. Please use Ai file for printing.

PLEASE DO NOT PRINT THIS (YELLOW) AREA

What's in the box



Parameter

- 1 Illumination output: approx. 3500 lumens / 5000K
- 2 Wattage: 36W
- 3 Power source: AC120V/60Hz
- 4 Motion detection: up to 70feet (21.3m), 240 degree

Safety instructions



1. Please read all warning and instruction before attempting to install this light.
2. Disconnect power before installing or servicing.

Warning

Risk of Electrical Shock

1. Turn off electrical power at fuse or circuit breaker box before wiring fixture to the power supply.
2. Make sure all electrical and grounded connections are in accordance with the National Electrical Code and applicable local code requirements.
3. All wiring connections should be compliant with UL standard.

Risk of Injury

1. Wear gloves and safety glasses at all times when moving luminaire from carton, installing, servicing or performing maintenance.
2. Avoid direct eye exposure to the light source while it is on, or this may cause irreparable damage to the eyes.
3. Account for small parts and destroy packing material, as these may be hazardous to children.

Risk of Burn

Allow fixture to cool before touch.

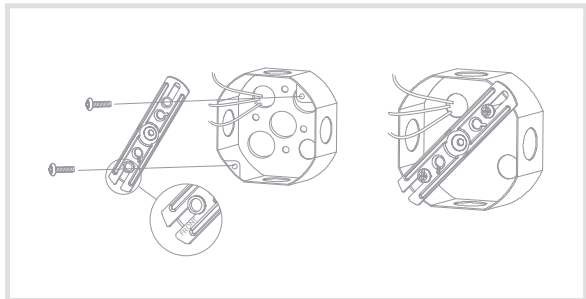
Attention: lights must be installed by the experienced household wire installer or a qualified electrician. Electrical system and the electrical connection method of light fixture must conform to the national electrical standards and specification requirements of the local architecture.

Installation

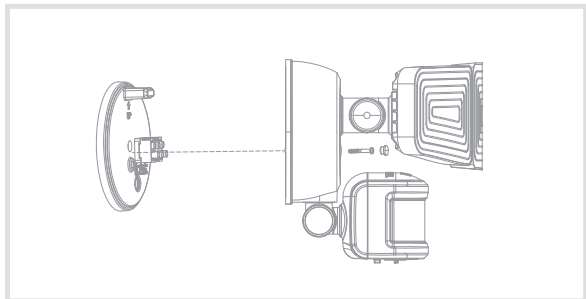
- 1 Install the mounting bar to the outlet box with the stamped word "FRONT" facing away from the outlet box, use two mounting screws that best fit the outlet box.

(Choose one group of suitable mounting screws among two groups in the hardware pack)

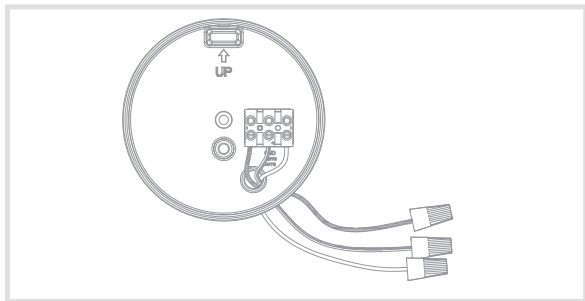
Note: For the best performance, install fixture at 5.9 feet -11.5 feet (1.8-3.5m) above the ground.



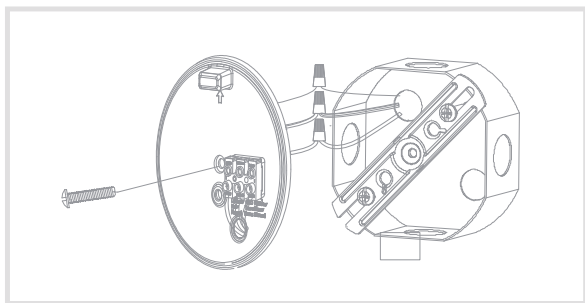
- 2 Unscrew the center mounting screw on the light fixture in order to remove the back plate on the back of the light fixture



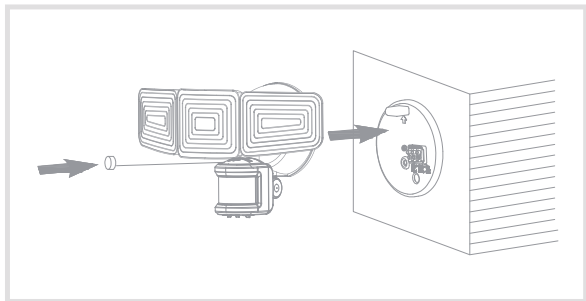
- 3** Connect the source wires from the outlet box with the wires of the back plate using wire nuts as follows:
Connect the white wire to white wire
Connect the black wire to black wire
Connect the Green wire to the house ground wire
Note:
DO NOT connect electricity before installation and maintenance



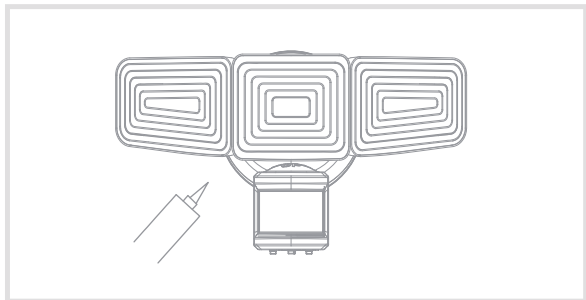
- 4** Place the back plate against the outlet box, insert the mounting bracket screw through the back plate hole, thread mounting bracket screw into the center hole of the mounting bar. Tighten the mounting bracket screw securely.
Note: The "UP" arrow must point upward.



- 5** Attached the light fixture to the back plate using the center mounting screw:
- Tighten the center mounting screw securely through the center of the light fixture. Do not overtighten.
 - Push the rubber plug firmly into the center hole to cover the center mounting screw.



- 6** Using silicone caulking compound, caulk completely around where the light fixture meets the wall surface to prevent water from seeping into the outlet box.



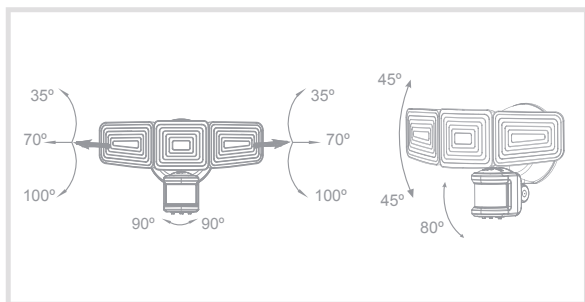
Note: If you install this light fixture on the covered wall or eave without junction box, you must consult a qualified, licensed electrician and use the appropriate screws (not included) to install this light fixture on the wall or eave directly depending on the surface.

How it Works



Adjusting the Lamp Heads and Motion Sensor

1. Swing the lamp heads to adjust the lamp head left and right or up and down to get the desired lamp direction.
2. Gently grasp the motion sensor and adjust the sensor left and right or up and down to get the desired sensor direction.



Product Function Description

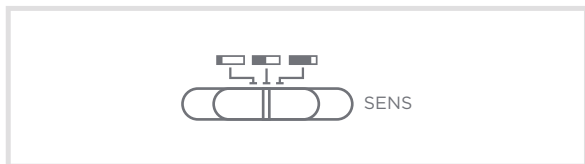
1. SENS Setting

Adjust the SENS setting to adjust range of Passive Infrared Motion Sensor

Slide toward the "  " (low) position for short detection range(3-30ft).

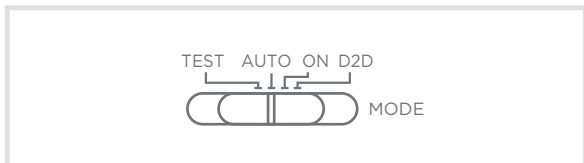
Slide toward the "  " (Middle) position for middle detection range(3-49ft).

Slide toward the "  " (high) position for long detection range(3-70ft).



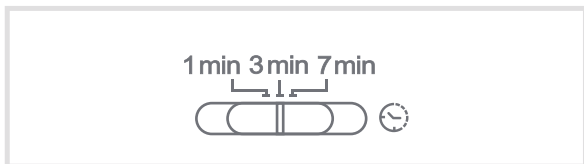
2. 4 Working Modes

- Test mode: check the light's sensory function in order to test the sensory range. The time duration for the light will be 5s.
- Auto: when motion is detected, the light will turn on automatically for the time set (can choose 1, 3 or 7mins) at night.
- On: The light will stay on when it is switched on and turn off when it is switched off by light switch, whether it is day or at night
- D2D: The light automatically lights up at night time and turns off during daylight



3. TIME Setting

This setting is used to control the time span of how long the light remains on when motion is detected. Set the switch to the 1, 3, 7 minutes position. The security light will stay on as long as motion is detected and will go off after the time span you set after no motion is detected.



Cleaning and Maintenance



1. Clean periodically with soft cloth.
2. Do not use any cleaners with chemicals, solvents or harsh abrasives on this light. Do not use scouring pads, powders, steel wool or abrasive paper. They could cause deterioration of the finish.

FCC

This device complies with Part 15 of the FCC Rules. Operation is subject to the following two conditions:
(1) this device may not cause harmful interference, and
(2) this device must accept any interference received, including interference that may cause undesired operation.

This device complies with FCC Part 15 of FCC Rules.

Warning: Changes or modifications to this unit not expressly approved by the party responsible for compliance could void the user's authority to operate the equipment.

NOTE: This equipment has been tested and found to comply with the limits for a Class B digital device, pursuant to Part 15 of the FCC Rules. These limits are designed to provide reasonable protection against harmful interference in a residential installation. This equipment generates, uses and can radiate radio frequency energy and, if not installed and used in accordance with the instructions, may cause harmful interference to radio communications.

However, there is no guarantee that interference will not occur in a particular installation. If this equipment does cause harmful interference to radio or television reception, which can be determined by turning the equipment off and on, the user is encouraged to try to correct the interference by one or more of the following measures:

- Reorient or relocate the receiving antenna.
- Increase the separation between the equipment and receiver.
- Connect the equipment into an outlet on a circuit different from that to which the receiver is connected.
- Consult the dealer or an experienced radio/TV technician for help.

Register & Subscribe today to protect your investment and join our email list!



Scan below for link:



homezonesecurity.com
support@homezone-usa.com
US: +1 888-782-5618

Why Register?

- Receive your extended warranty
- Get professional warranty support
- Be the first to hear the latest product news.
- Get exclusive deals delivered to you email.

Get exclusive offers and deals when you subscribe!

Thank you for choosing Home Zone Security!
We are here to support you every step of the way.

Please be sure to contact our customer support for troubleshooting and register your product for additional benefits. Products must be sold by an authorized reseller or distributor to be valid.