

EFR285

# REFRIGERATOR

## *use & care*

Introduction.....	2
Important Safety Information .....	3
Installation Instructions .....	4
Operating Instructions .....	4-6
Care & Maintenance .....	7
Troubleshooting .....	8
Product Specifications .....	8
Limited Warranty.....	9

## Welcome to our *family*

Thank you for bringing Frigidaire into your home! We see your purchase as the beginning of a long relationship together.

This manual is your resource for the use and care of your product. Please read it before using your appliance. Keep it handy for quick reference. If something doesn't seem right, the troubleshooting section will help you with common issues.

FAQs, helpful tips and videos, cleaning products, and kitchen and home accessories are available at [www.frigidaire.com](http://www.frigidaire.com).

We are here for you! Visit our website, chat with an agent, or call us if you need help. We may be able to help you avoid a service visit. If you do need service, we can get that started for you.



### **Installation Checklist**

#### **Doors**

- Handles are secure and tight
- Door seals completely to cabinet on all sides

#### **Leveling**

- Refrigerator is level side-to-side and slightly elevated in front to assist with door and drawer closing (front should be higher than back)
- Cabinet is setting solid on all corners

#### **Electrical Power**

- House power turned on
- Refrigerator plugged in

#### **Final Checks**

- Shipping material removed
  - Fresh food and freezer temperatures set
-

## SAFETY REQUIREMENTS

**DANGER:** Risk of fire or explosion. Flammable refrigerant used. Do not puncture refrigerant tubing.

- Do not use mechanical devices to defrost refrigerator.
- Ensure that servicing is done by factory authorized service personnel, to minimize product damage or safety issues.
- If the power supply cord is damaged, it must be replaced by the manufacturer, its service agent or similar qualified person in order to avoid hazard.
- Consult repair manual or owner's guide before attempting to service this product. All safety precautions must be followed.
- Disposal of this unit should be in accordance with federal and local regulations.
- Follow handling instructions carefully.

**WARNING:** Keep ventilation openings, in the appliance enclosure or in the built-in structure, clear of obstruction.

**WARNING:** Do not use mechanical devices or other means to accelerate the defrosting process, other than those recommended by the manufacturer.

**WARNING:** Do not damage the refrigerant circuit.

**WARNING:** Do not use electrical appliances inside the food storage compartments of the appliance, unless they are of the type recommended by the manufacturer.

**CAUTION:** Children should be supervised to ensure that they do not play with the appliance.

**DANGER:** Risk of child entrapment. Before throwing away an old appliance:

- Remove the door or lid.
- Leave shelves in place so that children may not easily climb inside.

This appliance is intended to be used in household and similar applications such as:

- Staff kitchen areas in shops, offices and other working environments;
- Farm houses and by clients in hotels, motels and other residential type environments;
- Bed and breakfast type environments;
- Catering and similar non-retail applications.

## GROUNDING INSTRUCTIONS

This appliance must be grounded. Grounding reduces the risk of electrical shock by providing an escape wire for the electrical current.

This appliance has a cord that has a grounding wire with a 3-prong plug. The power cord must be plugged into an outlet that is properly grounded. If the outlet is a 2-prong wall outlet, it must be replaced with a properly grounded 3-prong wall outlet. The serial rating plate indicates the voltage and frequency the appliance is designed for.

**WARNING:** Improper use of the grounding plug can result in a risk of electric shock. Consult a qualified electrician or service agent if the grounding instructions are not completely understood, or if doubt exists as to whether the appliance is properly grounded.

**Do not connect your appliance to extension cords or together with another appliance in the same wall outlet.**

Do not splice the power cord. Do not under any circumstances cut or remove the third ground prong from the power cord. Do not use extension cords or ungrounded (two prongs) adapters.

## SAFETY REQUIREMENTS

This appliance is not intended for use by persons (including children) whose physical, sensory or mental capabilities may be different or reduced, or who lack experience or knowledge, unless such persons receive supervision or training to operate the appliance by a person responsible for their safety.

Do not store explosive substances such as aerosol cans with a flammable propellant in this appliance.

# 4

## INSTALLATION INSTRUCTIONS

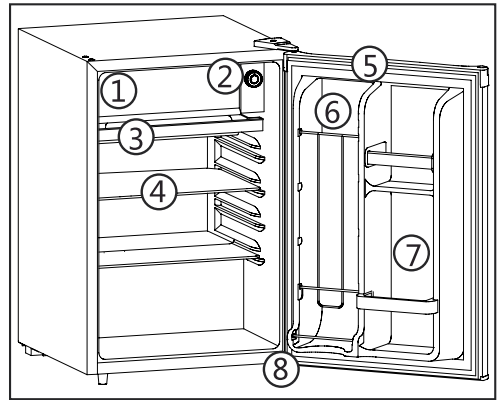
### LOCATION

- Two people should be used when moving the appliance.
- Remove interior and exterior packaging prior to installation. Wipe the outside of the appliance with a soft, dry cloth and the inside with a luke warm wet cloth.
- Place the appliance on a floor that is strong enough to support it when it is fully loaded.
- Do not place the appliance in direct sunlight or near sources of heat, such as a stove or heater, as this can increase electrical consumption.
- Do not use the appliance near water, for example in a wet basement or near a sink.
- This appliance is intended for household use only. It is not designed for outside installation, including anywhere that is not temperature controlled (garages, porches, vehicles, etc.).
- Before connecting the appliance to a power source, let it stand upright for approximately 6 hours. This will reduce the possibility of a malfunction in the cooling system from handling during transportation.
- This appliance is 44.9 cm (17.68 inches) wide by 67.8 cm (26.69 inches) high by 47 cm (18.5 inches) deep. Make sure that you leave the minimum amount of space between the appliance and all surrounding walls and vents.
- Allow 12.7 cm (5 inches) of space between the back of the appliance and the wall. Allow 5 cm (2 inches) between the sides and top of the appliance and any walls or counter tops.
- This appliance is intended for free-standing installation only and is not intended to be built into a cabinet or counter. Building in this appliance can cause it to malfunction.

## OPERATING INSTRUCTIONS

### FEATURES

1. Freezer Compartment with Door
2. Thermostat Dial and Push Button Defrost.
3. Drip Tray.
4. Glass Shelf.
5. Magnetic Gasket: Tight fitting door seal keeps all the cooling power locked inside.
6. Door Liner With Can Dispenser: Holds 355ml cans of pop, juice, or beer.
7. Bottle Rack: For tall, small and medium cans or jars.
8. Leveling Leg: Adjust so the unit is level.

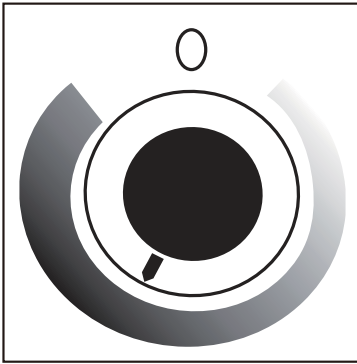


## TEMPERATURE SELECTION

The temperature of the appliance can be adjusted by turning the thermostat dial. The thicker, darker part of the blue line is the coldest setting. The thinner, lighter part of the blue line is the warmest setting. The "O" position will turn off the cooling function.

If the temperature control knob adjusts to the maximum setting, the compressor may run continuously. It's a coldest mode. Please do not adjust to the maximum setting frequently.

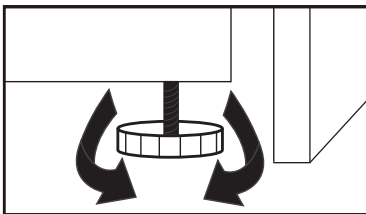
Internal temperature of the appliance can vary based on ambient temperature, the quantity of items stored and how frequently the door is opened.



## LEVELING INSTRUCTIONS

There is an adjustable foot on the bottom of the appliance that can be turned up or down to ensure that the appliance is level.

1. Turn the leveling foot counter-clockwise until the top of the foot is touching the bottom of the cabinet.
2. Slowly turn the leveling foot clockwise until the appliance is level.



## DEFROSTING THE APPLIANCE

This refrigerator is equipped with a "Push Button" defrost system. To activate the defrost cycle, push the red defrost button located on the center of the thermostat dial. The defrost cycle is initiated immediately. When defrosting is complete, the red button will release and the refrigerator will resume normal operating conditions.

**Note:** If the red defrost button is pressed accidentally, it is not possible to manually deactivate the defrost cycle. The defrost cycle must be allowed to run its course.

Defrosting the refrigerator should take place whenever ice build-up inside the freezer compartment reaches 6 mm (1/4") thick. Defrosting may take a few hours, depending on the amount of accumulated ice and ambient indoor temperature.

To speed up the defrosting process, remove all frozen foods from the freezer section and leave the door open for a short period of time. Monitor the refrigerator closely during the defrosting process to avoid water spilling and causing damage to flooring or counter tops.

**Important:** Remember to close the refrigerator door before the defrost cycle terminates and normal operating conditions resume. The drip tray should be in position directly below the freezer compartment to catch condensed water during defrosting.

**Note:** Never use sharp or pointed instruments to remove ice from the freezer compartment. The freezer compartment contains refrigerated gas lines and if accidentally pierced it will render the refrigerator inoperable and void the manufacturer's warranty. Do not allow the refrigerator to continue operation if the freezer compartment is pierced.

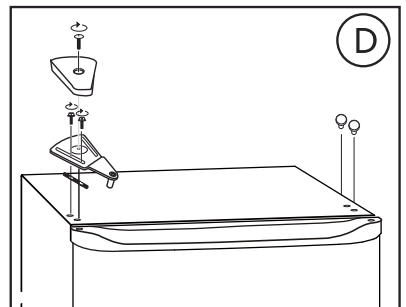
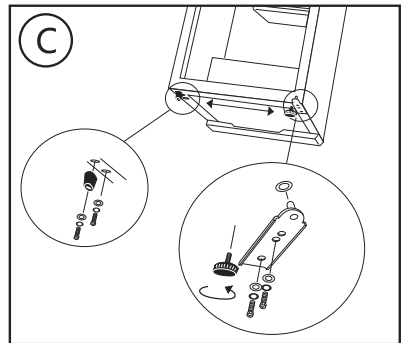
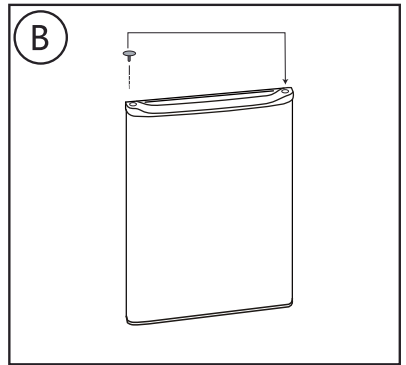
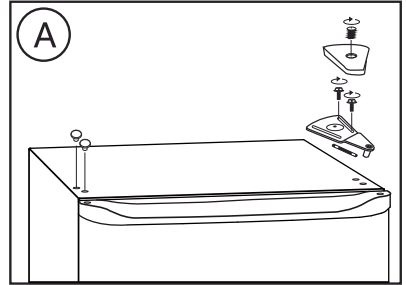
# 6

## OPERATING INSTRUCTIONS

### DOOR REVERSAL INSTRUCTIONS

If the appliance is placed on its back or side for any length of time during this process, it must be allowed to remain upright for 6 hours before plugging it in to avoid damage to the internal components.

1. Remove the screw securing the hinge cover and remove the hinge cover. Remove the two screws securing the upper hinge and remove the upper hinge. Remove the hinge hole covers from the top left side of the cabinet. Remove the door from the cabinet. See figure A.
2. Remove the hinge hole cover from the top left side of the door and place it in the hinge hole on the top right side of the door. See figure B.
3. Remove the solid foot from the bottom left side of the cabinet and remove the adjustable foot and lower hinge from the bottom right side of the cabinet. Install the lower hinge and adjustable foot on the bottom left side of the cabinet and install the solid foot on the bottom right side of the C. See figure C.
4. Place the door on the cabinet and install the upper hinge on the top left side of the cabinet. Before tightening the screws in the upper hinge, ensure that the top of the door is level with the top of the cabinet and that the rubber gasket is making a good seal with the cabinet all the way around. Install the hinge cover over the hinge and install the hinge hole covers in the screw holes on the top right side of the cabinet. See figure D.



---

## CLEANING

Ensure the appliance is unplugged before cleaning.

- To clean the inside of the appliance, use a soft cloth and a solution of a tablespoon of baking soda to one quart of water or a mild soap solution or some mild detergent.
- Wash removable shelves in a mild detergent solution, then dry and wipe with a soft cloth.
- Clean the outside with a soft, damp cloth and some mild detergent.
- It is important to keep the area clean where the door seals against the cabinet. Clean this area with a soapy cloth. Rinse with a damp cloth and let dry.

**Note:** Do not use cleaners containing ammonia or alcohol on the appliance. Ammonia or alcohol can damage the appearance of the appliance. Never use any commercial or abrasive cleaners or sharp objects on any part of the appliance.

## POWER FAILURE

Most power failures are corrected within a few hours and should not affect the temperature of your appliance if you minimize the number of times the door is opened. If the power is going to be off for a longer period of time, take the proper steps to protect your contents.

**Note:** Wait 3 to 5 minutes before attempting to restart the refrigerator if operation has been interrupted.

## VACATION

- Short vacations: Leave the appliance operating during vacations of less than three weeks.
- Long vacations: If the appliance will not be used for several months, remove all items and turn off the appliance. Clean and dry the interior thoroughly. To prevent odor and mold growth, leave the door open slightly, blocking it open if necessary.

## MOVING

- Make sure the appliance is empty.
- Secure the shelves with tape.
- Secure the door with tape.
- Turn the adjustable foot up to the base to avoid damage.
- Protect the outside of the appliance with a blanket or similar item.
- Be sure the appliance stays in the upright position during transportation.
- If the appliance is placed on its back or side during transportation, upon reaching the destination, allow it to remain upright for 6 hours before plugging in to avoid damage to internal components.

## DISPOSAL

This appliance may not be treated as regular household waste, it should be taken to the appropriate waste collection point for recycling of electrical components. For information on local waste collection points, contact your local waste removal agency or government office.

---

PROBLEM	POSSIBLE CAUSE
No power.	<ul style="list-style-type: none"> <li>● A fuse may be blown or the circuit breaker tripped.</li> <li>● Plug not fully inserted into the wall outlet.</li> </ul>
Internal temperature not cold enough.	<ul style="list-style-type: none"> <li>● Temperature setting is too warm.</li> <li>● Door is not shut properly or opened excessively.</li> <li>● Recently added a large quantity of warm food to the cabinet.</li> <li>● Close proximity to heat source or direct sunlight.</li> <li>● Ambient temperature or humidity is very high.</li> </ul>
Appliance runs continuously.	<ul style="list-style-type: none"> <li>● Temperature setting is too cold.</li> <li>● Door not shut properly or opened excessively.</li> <li>● Recently added a large quantity of warm food to the cabinet.</li> <li>● Close proximity to heat source or direct sunlight.</li> <li>● Ambient temperature or humidity is very high.</li> </ul>

## PRODUCT SPECIFICATIONS

MODEL NO.	EFR285
CAPACITY OF FRIDGE IN CU. FT.	2.5 CU. FT.
SHELF MATERIAL	GLASS SHELF
TEMPERATURE CONTROL TYPE	MECHANICAL
TEMPERATURE RANGE IN FAHRENHEIT AND CELSIUS	32-50°F/0-10°C
DEPTH(EXCLUDING HANDLES) (IN):	16.10
DEPTH(INCLUDING HANDLES) (IN):	18.50
DEPTH(LESS DOOR) (IN):	16.10
DEPTH WITH DOOR OPEN 90 DEGREES (IN):	34.65
HEIGHT TO TOP OF DOOR HINGE (IN):	26.69
HEIGHT TO TOP OF REFRIGERATOR (IN):	26.26
PRODUCT DEPTH (IN):	18.50
PRODUCT HEIGHT (IN):	26.69
PRODUCT WIDTH (IN):	17.68



To make a warranty claim, do not return this product to the store. Please email [support@curtiscs.com](mailto:support@curtiscs.com) or call 1-800-968-9853.

### 1 Year Warranty

This product is warranted to be free from defects in material and workmanship for a period of one (1) year from the date of original purchase. During this period, your exclusive remedy is repair or replacement of this product or component found to be defective, at our option; however, you are responsible for all costs associated with returning the product to us. If the product or component is no longer available, we will replace with a similar one of equal or greater value. Prior to a replacement being sent, the product must be rendered inoperable or returned to us.

This warranty does **not** cover glass, filters, wear from normal use, use not in conformity with the printed directions, or damage to the product resulting from accident, alteration, abuse, or misuse. This warranty extends only to the original consumer purchaser or gift recipient. Keep the original sales receipt, as proof of purchase is required to make a warranty claim. This warranty is void if the product is used for other than single-family household use or subjected to any voltage and waveform other than as on the specified rating on the label (e.g., 120V-60Hz).

We exclude all claims for special, incidental, and consequential damages caused by breach of express or implied warranty. All liability is limited to the amount of the purchase price. **Every implied warranty, including any statutory warranty or condition of merchantability or fitness for a particular purpose, is disclaimed except to the extent prohibited by law, in which case such warranty or condition is limited to the duration of this written warranty.** This warranty gives you specific legal rights. You may have other legal rights that vary depending on where you live. Some states or provinces do not allow limitations on implied warranties or special, incidental, or consequential damages, so the foregoing limitations may not apply to you.

For faster service, locate the model, type, and serial numbers on your appliance.

# FRIGIDAIRE®

welcome *home*

Our home is your home. Visit us if you need help with any of these things:



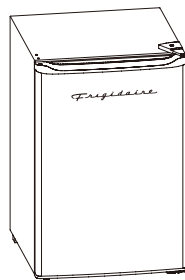
owner support



service

[support@curtiscs.com](mailto:support@curtiscs.com)

1-800-968-9853



EFR285

# RÉFRIGÉRATEUR

## *utilisation & entretien*

Introduction .....	2
Consignes De Sécurité Importantes .....	3
Instructions D'installation .....	4
Consignes D'utilisation .....	4-6
Soins Et Entretien .....	7
Dépannage .....	8
Spécifications Du Produit.....	8
Finite Maintenance.....	9

## Bienvenue chez nous

Merci d'avoir amené Frigidaire dans ta maison! Nous considérons votre achat comme le début d'une longue relation ensemble.

Ce manuel est votre ressource pour l'utilisation et prendre soin de votre produit. Lisez s'il vous plaît avant d'utiliser votre appareil. Gardez-le pratique pour une référence rapide. Si quelque chose ne semble pas correct, le dépannage section vous aidera à résoudre les problèmes courants.

FAQ, conseils et vidéos utiles, nettoyage produits et accessoires de cuisine et de maison sont disponibles sur [www.frigidaire.com](http://www.frigidaire.com).

Nous sommes là pour vous! Visitez notre site Internet, discutez avec un agent ou nous appelons si vous avez besoin. Aidez-moi. Nous pouvons peut-être vous aider à éviter une visite de service. Si vous avez besoin de service, nous pouvons commencer cela pour vous.



### Table de contrôle d'installation

#### Porte

- Tenez bon.
- Les portes sont scellées

#### Leveling

- Le réfrigérateur est de niveau d'un côté à l'autre et légèrement surélevé devant pour aider avec la fermeture de la porte et du tiroir (la façade devrait être plus haute que le dos)
- Chaque coin du placard est solide.

#### Électricité

- Allumage électrique.
- Le réfrigérateur est alimenté.

#### Vérifications finales

- Matériel d'expédition retiré
- Réglage des températures des aliments frais et du congélateur

## EXIGENCES DE SÉCURITÉ

**DANGER:** Risque d'incendie ou d'explosion. Liquide frigorigène inflammable utilisé. Ne pas percer les tubes de réfrigérant.

- N'utilisez pas de dispositifs mécaniques pour dégivrer le réfrigérateur. dégivrer le réfrigérateur.
- Assurez-vous que l'entretien est effectué par le personnel de service autorisé en usine, afin de minimiser les dommages sur les produits ou les questions de sécurité.
- Consultez le manuel de réparation ou le guide du propriétaire avant d'essayer de réparer ce produit. Toutes les précautions de sécurité doivent être respectées.
- Éliminer conformément aux règlements fédéraux ou locaux.
- Suivez attentivement les instructions de manutention.

**AVERTISSEMENT:** Garder les ouvertures de ventilation, dans l'enceinte de l'appareil ou dans la structure intégrée, sans obstruction.

**AVERTISSEMENT:** N'utilisez pas de dispositifs mécaniques ou d'autres moyens pour accélérer le processus de dégivrage, autres que ceux recommandés par le fabricant.

**AVERTISSEMENT:** Ne pas endommager le circuit de réfrigérant.

**AVERTISSEMENT:** N'utilisez pas d'appareils électriques à l'intérieur des compartiments de stockage d'aliments de l'appareil, à moins qu'ils ne soient du type recommandé par le fabricant.

**ATTENTION:** Les enfants devraient être surveillés pour s'assurer qu'ils ne jouent pas avec l'appareil.

**DANGER:** Risque de piégeage des enfants. Avant de jeter un ancien appareil :

- Retirez la porte ou le couvercle.
- Laissez les étagères en place afin que les enfants ne puissent pas facilement monter à l'intérieur. Cet appareil est destiné à être utilisé dans des applications domestiques et similaires telles que:
- Cuisines du personnel dans les magasins, les bureaux et autres environnements de travail;
- Les maisons de ferme et par les clients dans les hôtels, motels et autres environnements de type hôtels, motels et autres environnements de type résidentiel;
- Chambres d'hôtes;
- Restauration et applications similaires non commerciales.

## EXIGENCES DE SÉCURITÉ

Cet appareil n'est pas destiné à être utilisé par des personnes (y compris des enfants) dont les capacités physiques, sensorielles ou mentales peuvent être différentes ou réduites, ou qui n'ont pas d'expérience ou de connaissances, à moins que ces personnes ne reçoivent de supervision ou de formation pour faire fonctionner l'appareil par une personne responsable de leur sécurité. Ne pas stocker des substances explosives comme les bombes aérosol avec un propulseur inflammable dans cet appareil.

## INSTRUCTIONS DE MISE À LA TERRE

Cet appareil doit être mis à la terre. La mise à la terre réduit le risque de choc électrique en fournissant un fil d'échappement pour le courant électrique.

Cet appareil possède un cordon doté d'un fil de mise à la terre avec une fiche à 3 broches. Le cordon d'alimentation doit être branché sur une prise correctement mise à la terre. Si la sortie est une prise murale à 2 broches, elle doit être remplacée par une prise murale à 3 broches correctement mise à la terre. La plaque signalétique en série indique la tension et la fréquence auxquelles l'appareil est conçu.

**AVERTISSEMENT** - Une utilisation incorrecte de la fiche de mise à la terre peut entraîner un risque d'électrocution. Consultez un électricien qualifié ou un agent de service si les instructions de mise à la terre ne sont pas complètement comprises ou s'il existe un doute quant à savoir si l'appareil est correctement mis à la terre.

**Ne branchez pas votre appareil à des rallonges ou avec un autre appareil dans la même prise murale.**

Ne pas épisser le cordon d'alimentation. Ne coupez ou retirez en aucun cas la troisième broche du cordon d'alimentation. N'utilisez pas de cordons de prolongement ou d'adaptateurs sans mise à la terre (deux broches). Si le cordon d'alimentation est endommagé, il doit être remplacé par le fabricant, son agent de service ou une personne qualifiée similaire afin d'éviter tout risque.

# 4

## INSTRUCTIONS D'INSTALLATION

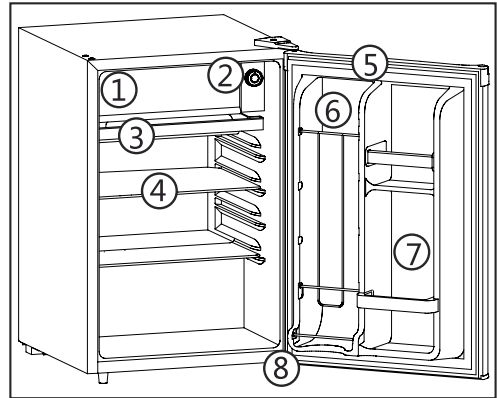
### EMPLACEMENT

- Deux personnes doivent être utilisées pour déplacer l'appareil.
- Retirer l'emballage intérieur et extérieur avant l'installation. Essuyez l'extérieur de l'appareil avec un chiffon doux et sec et à l'intérieur avec un chiffon humide tiède.
- Placez votre appareil sur un plancher qui est assez fort pour le soutenir quand il est complètement chargé.
- Ne placez pas l'appareil directement dans la lumière du soleil ou à proximité de sources de chaleur, comme un poêle ou un réchauffeur, car cela peut augmenter la consommation électrique. Des températures ambiantes extrêmes et froides peuvent également provoquer dysfonctionnement de l'appareil.
- Ne pas utiliser ce produit près de l'eau, par exemple, dans un sous-sol humide ou près d'un évier.
- Cet appareil est destiné à un usage domestique seulement. Cette unité n'est pas conçue pour une installation extérieure, y compris une installation où la température n'est pas contrôlée (garages, porches, carports, etc.).
- Avant de brancher l'appareil à une source d'alimentation, laissez-le debout pendant environ 6 heures; Ceci réduira la possibilité d'un dysfonctionnement dans le système de refroidissement de la manipulation pendant le transport.
- Cet appareil est 44.9 cm (17,68 pouces) de large par 67.8 cm (26.69 pouces) de haut par 47 cm (18, 5 pouces) de profondeur; assurez-vous de laisser le dégagement minimum d'entre l'appareil et tous les murs environnants et les ouvertures.
- Laissez 12,7 cm (5 pouces) d'espace entre l'arrière de l'appareil et le mur. Laissez 5 cm (2pouces) entre les côtés et le dessus de l'appareil et des murs ou des comptoirs.
- Cet appareil est destiné uniquement à une installation autonome et ne doit pas être intégré dans une armoire ou un compteur. La construction de cet appareil peut provoquer un dysfonctionnement.

## CONSIGNES D'UTILISATION

### CARACTÉRISTIQUES

1. Compartiment congélateur avec porte
2. Cadran du thermostat et bouton-poussoir décongélation
3. Bac d'égouttement
4. Étagères en verre
5. Joint étanche magnétique: Le joint étanche empêche l'air frais de s'échapper.
6. Doublure de porte avec distributeur de canettes: Range les boites de boisson gazeuse, jus ou bière.
7. Porte-bouteilles: Pour les bouteilles, boîtes métalliques et bocaux.
8. Pied de nivellement : Ajustez afin que l'appareil soit au niveau.



## SÉLECTION DE LA TEMPÉRATURE

La température de l'appareil peut être réglée en tournant la molette du thermostat.

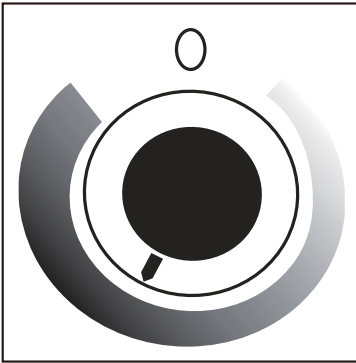
La partie la plus épaisse et la plus foncée de la ligne bleue est le réglage le plus froid.

La partie plus mince et plus légère de la ligne bleue est le réglage le plus chaud.

La position "O" éteindra la fonction de refroidissement.

Si le bouton de contrôle de la température est réglé sur la valeur de réglage maximale, le compresseur peut fonctionner en continu. C'est le mode le plus froid. Veuillez ne pas ajuster fréquemment le paramètre maximum.

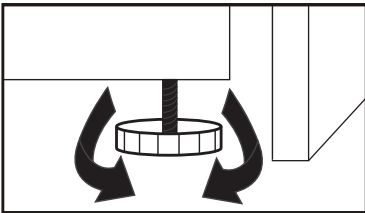
La température interne de l'appareil peut varier en fonction de la température ambiante, de la quantité d'articles stockés et de la fréquence d'ouverture de la porte.



## INSTRUCTIONS DE NIVEAU

Il y a un pied réglable sur le bas de l'appareil qui peut être tourné vers le haut ou vers le bas pour s'assurer que l'appareil est de niveau.

1. Tournez le pied de mise à niveau dans le sens inverse des aiguilles d'une montre jusqu'à ce que le haut du pied touche le bas de l'armoire.
2. Tournez lentement le pied de réglage dans le sens des aiguilles d'une montre jusqu'à ce que l'appareil soit de niveau.



## DÉGIVRAGE DE L'APPAREIL

Ce réfrigérateur est équipé d'un système de dégivrage "Bouton poussoir". Pour activer le cycle de dégivrage, appuyez sur le bouton de dégivrage rouge situé au centre de la molette du thermostat. Le cycle de dégivrage est lancé immédiatement. Lorsque le dégivrage est terminé, le bouton rouge se libère et le réfrigérateur reprend ses conditions de fonctionnement normales.

**Remarque:** Si le bouton de dégivrage rouge est appuyé accidentellement, il n'est pas possible de désactiver manuellement le cycle de dégivrage. Le cycle de dégivrage doit pouvoir suivre son cours.

Le dégivrage du réfrigérateur doit avoir lieu lorsque l'accumulation de glace dans le compartiment congélateur atteint 6 mm (1/4 ") d'épaisseur. Le dégivrage peut prendre quelques heures, en fonction de la quantité de glace accumulée et de la température intérieure ambiante.

Pour accélérer le processus de dégivrage, enlever tous les aliments congelés de la section du congélateur et laisser la porte ouverte pendant une courte période.

Surveillez attentivement le réfrigérateur pendant le processus de dégivrage afin d'éviter le déversement d'eau et d'endommager le revêtement de sol ou les comptoirs.

**Important:** N'oubliez pas de fermer la porte du réfrigérateur avant que le cycle de dégivrage ne se termine et que les conditions normales de fonctionnement reprennent. Le bac d'égouttage doit être situé directement sous le compartiment congélateur pour attraper de l'eau condensée pendant le dégivrage.

**Remarque:** N'utilisez jamais d'instruments pointu ou pointu pour enlever la glace du compartiment congélateur. Le compartiment congélateur contient des conduites de gaz réfrigérées et, s'il est accidentellement percé, il rendra le réfrigérateur inopérant et annulera la garantie du fabricant. Ne laissez pas le réfrigérateur continuer à fonctionner si le compartiment congélateur est percé.

# 6

## CONSIGNES D'UTILISATION

### INSTRUCTIONS D'INVERSION DE PORTE

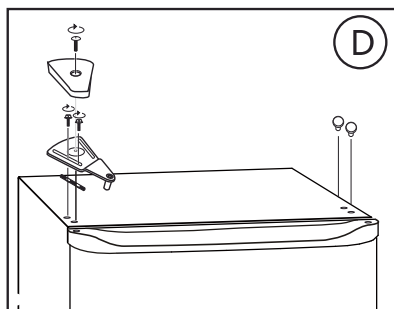
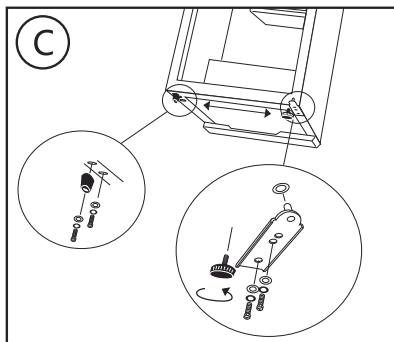
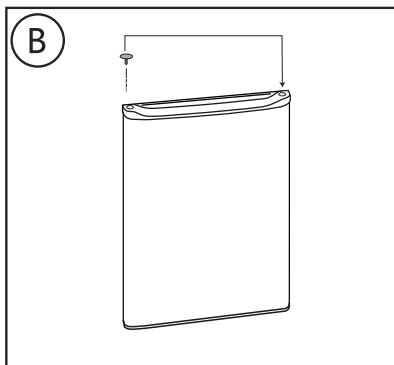
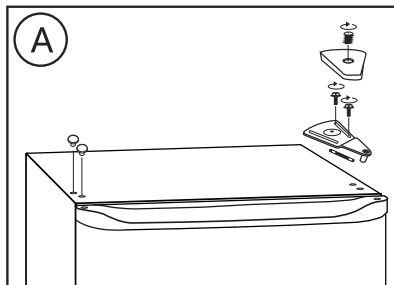
Si l'appareil est placé à l'arrière ou au côté pendant un certain temps pendant ce processus, il doit pouvoir rester debout pendant 6 heures avant de le brancher pour éviter d'endommager les composants internes.

1. Retirez la vis qui fixe le couvercle de la charnière et retirez le couvercle de la charnière. Retirez les deux vis fixant la charnière supérieure et retirez la charnière supérieure. Retirez les couvercles des trous de charnière du côté supérieur gauche du cabinet. Retirez la porte du cabinet. Voir figure A.

2. Retirez le couvercle du trou de charnière du côté supérieur gauche de la porte et placez-le dans le trou de charnière situé en haut à droite de la porte. Voir figure B.

3. Retirez le pied plein du côté inférieur gauche du cabinet et retirez le pied réglable et la charnière inférieure du côté inférieur droit du cabinet. Installez la charnière inférieure et le pied réglable sur le côté inférieur gauche du cabinet et installez le pied plein sur le côté inférieur droit du cabinet. Voir figure C.

4. Placez la porte sur le cabinet et installez la charnière supérieure sur le côté supérieur gauche du cabinet. Avant de serrer les vis dans la charnière supérieure, assurez-vous que le haut de la porte est au niveau du haut du cabinet et que le joint en caoutchouc est bien fixé avec le cabinet. Installez le couvercle de la charnière sur la charnière et installez les couvercles des trous de charnière dans les trous de vis sur le côté supérieur droit du cabinet. Voir figure D.





## NETTOYAGE

Assurez-vous que l'appareil est débranché avant de nettoyer une partie de l'appareil.

- Pour nettoyer l'intérieur de l'appareil, utilisez un chiffon doux et une solution d'une cuillère à soupe de bicarbonate de soude pour un litre d'eau ou un détergent doux.
- Laver les étagères amovibles dans une solution détergente douce, puis sécher et essuyer avec un chiffon doux.
- Nettoyez l'extérieur avec un chiffon doux et humide et un peu de détergent doux.
- Il est important de garder la zone propre où la porte scelle contre le cabinet. Nettoyez cette zone avec un chiffon savonneux. Rincer avec un linge humide et laisser sécher.

**Remarque:** N'utilisez pas de produits nettoyants comprenant de l'ammoniaque ou de l'alcool sur l'appareil. L'ammoniaque ou l'alcool peuvent altérer le fini de l'appareil. N'utilisez jamais de nettoyant industriels sur aucune partie de votre appareil.

## VACANCES

- **Courtes vacances:** Laissez l'unité fonctionner pendant les vacances durant moins de trois semaines.
- **Longues vacances:** Si l'unité ne doit pas être utilisé pendant plusieurs mois, retirez tout ce qu'il contient et mettez-le hors tension. Nettoyez et asséchez à fond l'intérieur. Pour éviter les odeurs et le développement de moisissures, laissez la porte entrouverte, la coincer au besoin.

## DÉMÉNAGER

- Assurez-vous que l'appareil est vide.
- Fixez les étagères à l'intérieur de l'appareil avec du ruban adhésif.
- Tournez le pied réglable jusqu'à la base pour éviter tout dommage.
- Fixez la porte avec du ruban adhésif.
- Assurez-vous que l'appareil reste en position verticale pendant le transport. Protégez l'extérieur de l'appareil avec une couverture ou un objet similaire.
- Si l'appareil est placé sur le dos ou sur le côté pendant le transport, à la destination, laissez-le reposer pendant 6 heures avant de le brancher pour éviter d'endommager les composants internes.

## ÉLIMINATION DES DÉCHETS

Ce produit ne doit pas être traité comme un déchet domestique ordinaire, il doit être transporté au point de collecte approprié pour le recyclage des composants électriques. Pour obtenir des renseignements sur les points de collecte des déchets locaux, communiquez avec votre agence locale de traitement des déchets ou avec le bureau du gouvernement.

PROBLÈME	CAUSE POSSIBLE
L'appareil n'est pas alimenté.	<ul style="list-style-type: none"> <li>● Un fusible de votre panneau de distribution peut être grillé ou le disjoncteur déclenché.</li> <li>● La fiche n'est pas complètement insérée dans prise murale.</li> </ul>
La température interne n'est pas assez froide.	<ul style="list-style-type: none"> <li>● Le réglage de la température est trop chaud.</li> <li>● Le porte n'est pas fermées correctement ou ouverte trop souvent.</li> <li>● Ajout récemment d'une grande quantité de nourriture chaude au cabinet.</li> <li>● Proximité de la source de chaleur ou de la lumière directe du soleil.</li> <li>● La température ambiante ou l'humidité est très élevée.</li> </ul>
L'appareil fonctionne en continu.	<ul style="list-style-type: none"> <li>● Le réglage de la température est trop froid.</li> <li>● Le porte n'est pas fermées correctement ou ouverte trop souvent.</li> <li>● Ajout récemment d'une grande quantité de nourriture chaude au cabinet.</li> <li>● Proximité de la source de chaleur ou de la lumière directe du soleil.</li> <li>● La température ambiante ou l'humidité est très élevée</li> </ul>

## SPÉCIFICATIONS DU PRODUIT

MODÈLE NO.	EFR285
CAPACITY OF FRIDGE IN CU. FT.	2.5 CU. FT.
CAPACITÉ DU RÉFRIGÉRATEUR EN CU. FT.	GLASS SHELF
TYPE DE CONTRÔLE DE TEMPÉRATURE	MECHANICAL
PLAGE DE TEMPÉRATURE À FAHRENHEIT ET CELSIUS	32-50°F/0-10°C
DPROFONDEUR (HORS POIGNÉES) (PO):	16.10
PROFONDEUR (INCLUANT LES POIGNÉES) (PO):	18.50
PROFONDEUR (MOINS PORTE)(PO):	16.10
PROFONDEUR AVEC PORTE OUVERTE 90 DEGRÉS (PO):	34.65
HAUTEUR AU HAUT DE LA CHARNIÈRE DE LA PORTE (PO):	26.69
HAUTEUR AU HAUT DU RÉFRIGÉRATEUR (PO):	26.26
PROFONDEUR DU PRODUIT (POS):	18.50
HAUTEUR DU PRODUIT (PO):	26.69
LARGEUR DU PRODUIT (PO):	17.68

Pour faire une demande de garantie, ne retournez pas ce produit au magasin. Veuillez envoyer un courriel électronique à [support@curtiscs.com](mailto:support@curtiscs.com) ou appeler le 1-800-968-9853.

### 1 ans de garantie

Ce produit est garanti contre tout défaut de matériel et de fabrication pendant une période de un (1) ans à compter de la date d'achat d'origine. Pendant cette période, votre seul recours est la réparation ou le remplacement de ce produit ou composant jugé défectueux, à notre choix; Cependant, vous êtes responsable de tous les coûts associés au retour du produit. Si le produit ou le composant n'est plus disponible, nous le remplacerons par un produit similaire de valeur égale ou supérieure. Avant l'envoi d'un produit de remplacement, le produit doit être rendu inutilisable ou nous être renvoyé.

Cette garantie **ne couvre pas** le verre, les filtres, l'usure normale, une utilisation non conforme aux instructions imprimées, ni les dommages matériels résultant d'un accident, d'une altération, d'une utilisation abusive ou abusive. Cette garantie s'applique uniquement à l'acheteur initial ou au destinataire du cadeau. Conservez le reçu de vente original, car une preuve d'achat est nécessaire pour faire une réclamation de garantie. Cette garantie est annulée si le produit est utilisé pour un usage autre que domestique ou s'il est soumis à une tension ou une forme d'onde autre que celle indiquée sur l'étiquette (par exemple, 120V ~ 60Hz).

Nous excluons toute réclamation pour des dommages spéciaux, accessoires et consécutifs causés par une violation de la garantie explicite ou implicite. Toute responsabilité est limitée au montant du prix d'achat. **Toute garantie implicite, y compris toute garantie légale ou condition de qualité marchande ou d'adéquation à un usage particulier, est refusée sauf dans la mesure où la loi l'interdit, auquel cas cette garantie ou condition est limitée à la durée de cette garantie écrite.** Cette garantie vous confère des droits légaux spécifique. Vous pouvez avoir d'autres droits légaux qui varient selon votre lieu de résidence. Certains états ou provinces n'autorisant pas les limitations de garanties implicites ou de dommages spéciaux, accessoires ou indirects, les limitations ci-dessus peuvent ne pas vous concerner.

Pour un service plus rapide, trouver le modèle, le type et les numéros de série sur votre appareil.

# FRIGIDAIRE®

Bienvenue à la *maison*

Notre maison est à toi. Rentre chez toi. Si vous avez besoin d'aide.



Maître d'ouvrage



services

[support@curtiscs.com](mailto:support@curtiscs.com)

1-800-968-9853