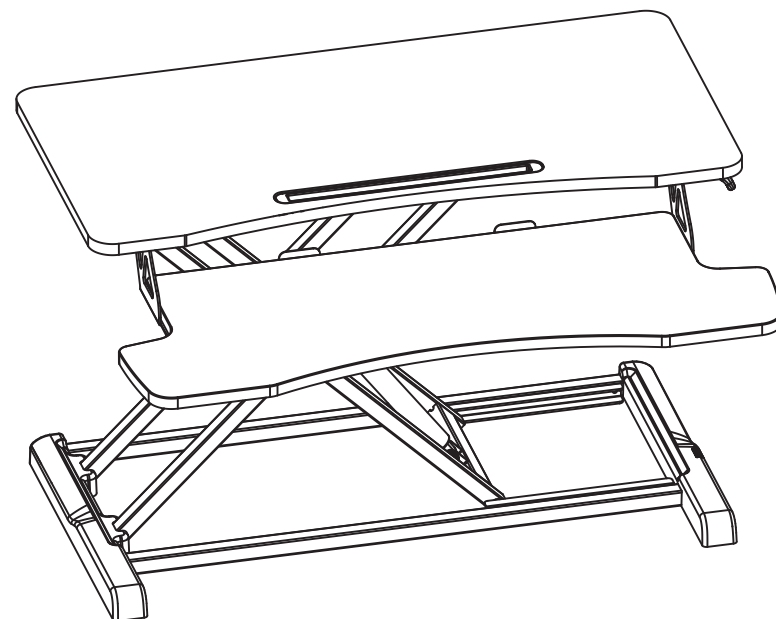


Adjustable Standing Desk  
SD320

**ROYAL**<sup>®</sup>

Adjustable Standing Desk  
**SD320**

## Operation Manual



**ROYAL**<sup>®</sup>

Consumer Information Products, Inc.

1011 U.S. Highway 22 West  
Suite 202  
Bridgewater, NJ 08807

Made in China

© Copyright  
Royal Consumer Information Products, Inc.  
2021, All Rights Reserved.

SD320IM0221

ROYAL SD320 Adjustable Standing Desk

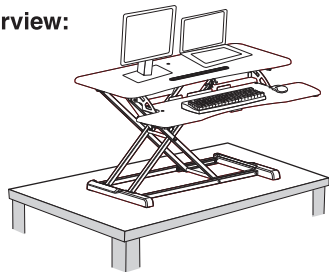
**WARNING**



This product has pinch points, which are created during lifting and lowering the work surface. Failure to follow these instructions may result in serious personal injury.

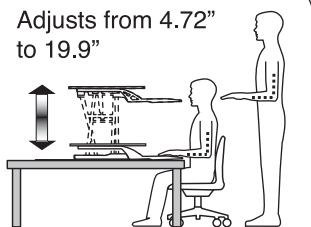
- This product contains small parts that could be a choking hazard if swallowed. Keep these items away from children.
- **DO NOT** exceed the maximum listed weight capacity. Serious injury or property damage may occur.
- This product has moving parts that can crush and cut.
- Keep the monitor and laptop base fully on the work surface. Allowing any part of the base or stand to hang off the edge may result in property damage and/or personal injury.
- Raise the work surface slowly. Raising the work surface too fast may create an unstable situation resulting in property damage and/or personal injury.
- Leave enough slack in all cables to allow for full range of vertical motion (20" / 510mm). Failure to heed the warning may result in property damage and/or personal injury.
- To avoid pinching the cables it is important to follow the cable routing instructions in this manual. Failure to follow these instructions may result in equipment damage or personal injury.
- This product is intended for indoor use only

Overview:



Thank you for purchasing the ROYAL SD320. You will find that the SD320 is a quality product in both design and craftsmanship. It is a unique desk utility which allows you to utilize the most from your desktop area.

Adjusts from 4.72" to 19.9"



The SD320 also offers the added health benefit of working in either a standing or sitting position.

ROYAL SD320 Adjustable Standing Desk

**CAUTION**

**DO NOT EXCEED MAXIMUM LISTED WEIGHT CAPACITY.** Serious injury or property damage may occur.

State of California Proposition 65 Warning



**WARNING:** This product can expose you to chemicals including Phthalates and Total Lead, which is known to the State of California to cause reproductive harm. For more information go to [P65Warnings.ca.gov](http://P65Warnings.ca.gov).

ROYAL Consumer Information Products Product Registration Information SD320

Register Your Product online at:  
**www.royal.com**

Date of Purchase: \_\_\_\_\_ Model: \_\_\_\_\_

Place of Purchase: \_\_\_\_\_

Lot / Serial Number: \_\_\_\_\_

**Customer Support:** 1-800-272-6229 (US and Canada)  
01-800-849-4826 (Mexico)

**PLEASE KEEP THIS INFORMATION FOR YOUR RECORDS.**

## WARRANTY, REGISTRATION & TECHNICAL SUPPORT

PLEASE FILL OUT THE PRODUCT REGISTRATION FORM ON OUR WEBSITE:  
www.royal.com.

### BE SURE TO KEEP A COPY OF YOUR SALES RECEIPT!

#### STANDARD WARRANTY

ROYAL CONSUMER INFORMATION PRODUCTS, INC. ("Royal"), at 1011 U.S. Highway 22 West, Suite 202 Bridgewater, NJ 08807 USA warrants that your SD320 is free of defects of workmanship and materials. If there is a defect or malfunction of this product, Royal will repair it free of charge as follows:

**PARTS:** New or comparable rebuilt parts in exchange for defective parts for ONE (1) YEAR from date of customer purchase.

**LABOR:** Royal provides labor warranty for ONE (1) YEAR from date of end-user purchase. Product must be sent postage prepaid and insured to Royal in accordance with the warranty procedures outlined below. At completion of the repair, the consumer will be responsible for the cost for any parts or services no longer covered under the warranty.

This warranty does not apply to persons who purchased this product second-hand or used.

This warranty does not include adjustments, parts and/or repairs required by circumstances beyond the control of Royal, including but not limited to fire or other casualty, accident, neglect, abuse, misuse, abnormal use or battery leakage damages.

THERE ARE NO OTHER EXPRESSED WARRANTIES EXCEPT AS STATED HEREIN. AFTER THE PERIOD OF EXPRESSED WARRANTY SET FORTH HEREIN, THERE ARE NO EXPRESSED OR IMPLIED WARRANTIES AND THOSE EXCLUDED INCLUDE THOSE OF MERCHANTABILITY AND FITNESS FOR PARTICULAR PURPOSE. Royal shall NOT be held liable for CONSEQUENTIAL DAMAGES resulting from any failure, defect or malfunction of this product. Some States do not allow limitations on how long an implied warranty lasts and some States do not allow the exclusion or limitation of incidental or consequential damages, so the above limitations may not apply to you.

#### WARRANTY PROCEDURES

#### TO OBTAIN SERVICE UNDER THE TERMS OF THIS WARRANTY:

Please do the following:

1. Send a copy of your original sales receipt showing original purchase date, along with your mailing and shipping addresses, the model name of the product and a note describing the nature of the problem to:

Royal Consumer Information Products, Inc.  
Warranty Processing  
50 Hilton Street  
Easton, PA 18042-7391 USA

#### Do Not Return the Product to This Address!

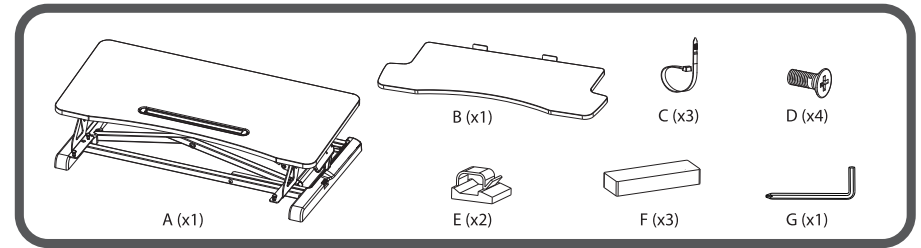
2. You will receive a return authorization number via U.S Mail within 7-12 business days from the date your return request is received if it is determined that there is a basis for a replacement product. The return authorization form you receive will list the return procedures, applicable charges, if any, and the correct shipping address for the returned product.

#### PRODUCT SUPPORT HOTLINE:

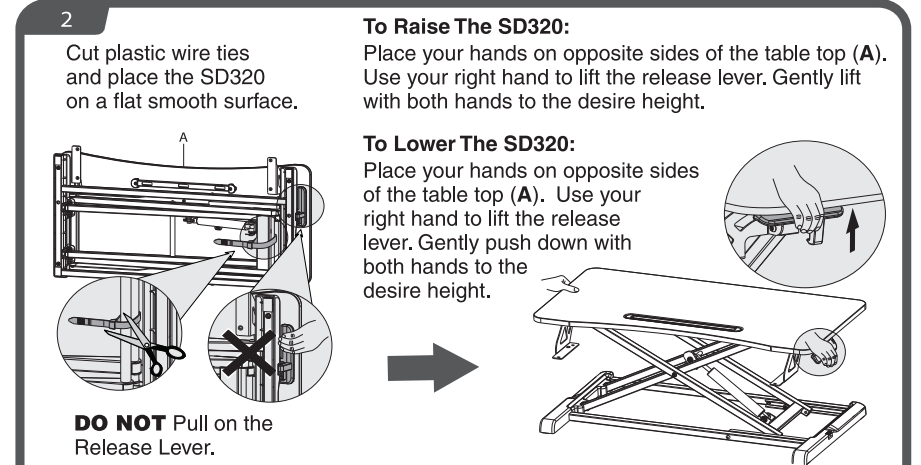
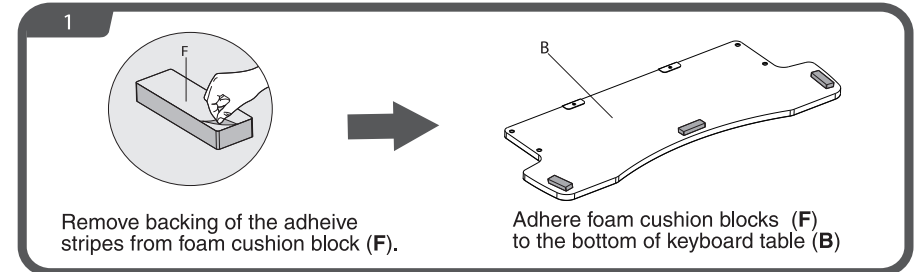
For questions on use of this product or this warranty call **1-800-272-6229** (in the U.S. and Canada) or in Mexico call **01-800-849-4826**, Monday through Friday during normal business hours. You can also e-mail Royal at: hotline@royal.com

## ROYAL SD320 Adjustable Standing Desk

### Included in the box:



### Assembly:



**WARNING**

DO NOT press the release handle while in the package. Only press the release handle in an upright position.



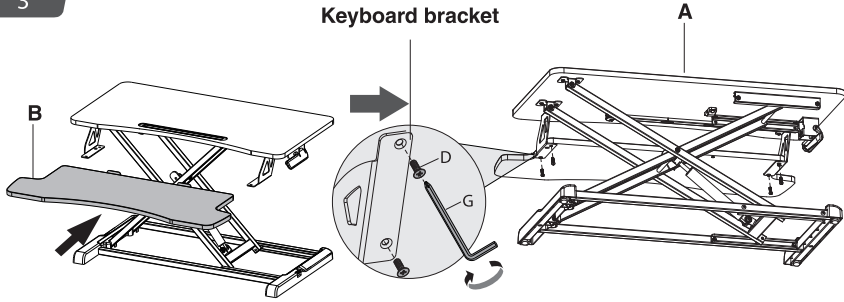
**WARNING**

**PINCH POINTS**

DO NOT place hands on or near the support bars. Pinch points are created during lifting and lowering the work surface. Failure to follow these instructions may result in serious personal injury.

3

**Keyboard bracket**

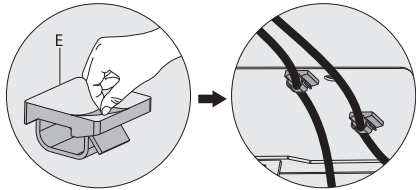


Position keyboard table (B) on to the keyboard brackets on main unit (A). Thread the four screws (D) through the keyboard brackets into the keyboard table. Tighten the screw using the supplied tool (G)

 **WARNING PINCH POINTS**

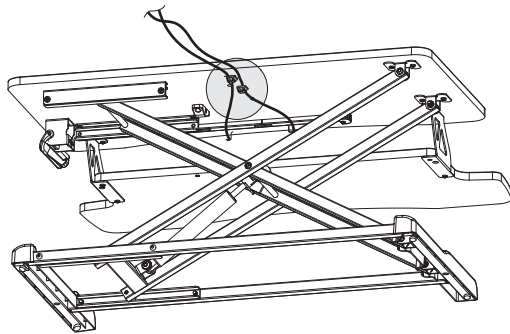
DO NOT place hands on or near the support bars. Pinch points are created during lifting and lowering the work surface. Failure to follow these instructions may result in serious personal injury.

4



Remove the backing on the adhesive strip on the back of the plastic wire mounts (E).

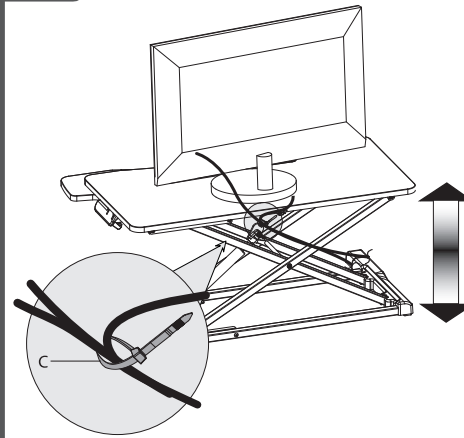
Place them on the underside of the upper desktop surface. These will secure the wires for your devices.



 **WARNING PINCH POINTS**

To avoid the potential of pinching the cables, it is important to follow the cable routing instructions above. Failure to follow these instructions may result in equipment damage or personal injury.

5



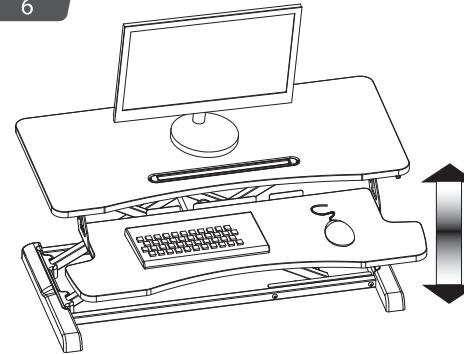
Use the plastic wire tie (C) to finish securing the wires and cables for all your devices. Be extra careful to allow for the movement of the desk surface. Allow enough slack in the wires and cables so as not to get pinched or trapped in the armature of the SD320.



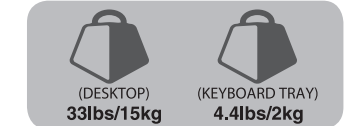
 **CAUTION MOVING PARTS**

The SD320 has an elevation range of 20". Leave enough slack in the cables to ensure safe movement. Failure to do so may result in property damage and/or personal injury.

6



Place items on the desktop surfaces. It is important not to exceed the maximum weight for each surface. Secure all items when raising and lowering the SD320. Never leave any liquids on the surface while raising or lowering.



 **CAUTION MOVING SURFACE**

Remove all liquids from the SD320 before raising or lowering the desk top. Failure to do so may result in damage to your devices and/or personal injury.



 **WARNING PINCH POINTS**

DO NOT place hands on or near the support bars. Pinch points are created during lifting and lowering the work surface. Failure to follow these instructions may result in serious personal injury.