



MN40WP  
WATER  
PROOF



## MN40WP User Manual

## About this Manual

Congratulations on purchasing the Minolta MN40WP Waterproof Camera! The contents of this manual are subject to change without notice. Note that the example screens and product illustrations shown in this User's Guide may differ somewhat from the screens and configuration of the actual camera.

## Copyright

This manual contains proprietary information protected by copyright. All rights are reserved. No part of this manual may be reproduced by any mechanical, electronic or other means, in any form, without prior written permission of Elite Brands Inc. © 2021.

## FEDERAL COMMUNICATIONS COMMISSION INTERFERENCE STATEMENT

This equipment has been tested and found to comply with the limits for a Class B digital device, pursuant to Part 15 of the FCC Rules. These limits are designed to provide reasonable protection against harmful interference in a residential installation. This equipment generates, uses and can radiate radio frequency energy and, if not installed and used in accordance with the instructions, may cause harmful interference to radio communications. However, there is no guarantee that interference will not occur in a particular installation. If this equipment does cause harmful interference to radio or television reception, which can be determined by turning the equipment off and on, the user is encouraged to try to correct the interference by one or more of the following measures:

- Reorient or relocate the receiving antenna.
- Increase the separation between the equipment and receiver.
- Connect the equipment into an outlet on a circuit different from that to which the receiver is connected.
- Consult the dealer or an experienced radio/TV technician for help.

## CAUTION:

Any changes or modifications not expressly approved by the party responsible for compliance could void the user's authority to operate the equipment.

This device complies with Part 15 of the FCC Rules. Operation is subject to the following two conditions:

- (1) This device may not cause harmful interference and
- (2) This device must accept any interference received, including interference that may cause undesired operation.

## RF Exposure Warning

This equipment complies with FCC RF radiation exposure limits set forth for an uncontrolled environment. This equipment must be installed and operated in accordance with provided instructions and must not be co-located or operating in conjunction with any other antenna or transmitter. End-users and installers must be provided with antenna installation instructions and transmitter operating conditions for satisfying RF exposure compliance.

FCC: SAR standard Value: 1.6 W/Kg, Maximal Measure: 0.4 W/kg

## **CE Mark Warning**

This is a Class B product, in a domestic environment, this product may cause radio interference, in which case the user may be required to take adequate measures.

## **Safety and Handling Precautions**

### **Camera Information**

- Do not disassemble or attempt to service the camera yourself.
- Do not expose the camera to moisture, or extreme temperatures.
- Allow the camera to warm up when moving from cold to warm temperatures.
- Do not touch and put pressure on the camera lens.
- Do not expose the lens to direct sunlight for extended periods.
- Do not use abrasive chemicals, cleaning solvents or strong detergents to clean the product. Wipe the product with a slightly damp soft cloth.
- Do not use the flash or LED Light near a person's eyes to prevent possible eye injury.
- To prevent you from falling over or resulting in traffic accident, please do not use the camera while you are walking, driving or riding a vehicle.
- Please handle the camera strap with care, and never place the strap around the neck of an infant or child. Wrapping the strap around a neck may cause suffocation.
- Do not subject the LCD screen to impact.
- To prevent the risk of fire or electric shock, do not expose the inside of this product to rain or moisture.

### **Battery Information**

- Turn off the camera before installing or removing the battery.
- Use only the provided batteries or type of battery and charger that came with your camera. Using other types of battery or charger may damage the device and invalidate the warranty.
- Inserting the battery upside down can cause damage to the product and possibly cause an explosion.
- When the camera is used for an extended period of time, it is normal for the camera body to feel warm.
- Download all pictures and remove the battery from the camera if you are going to store the camera for a long period of time.
- Risk of explosion if battery is replaced by an incorrect type. Dispose of used batteries according to the instructions.
- Please keep the batteries out of the reach of children to prevent from swallowing the batteries, which might cause poisoning.
- If the battery's color or shape changes in any way, stop using the battery

immediately.

## USB Adaptor Information

- Do not expose the adaptor to high temperatures or moisture places. Otherwise, it may cause fire or electric shock.
- Do not attempt to repair, disassemble, change or transform the adaptor.
- Avoid sudden changes in temperature, which may cause condensation on the adaptor's internal surfaces. Please do not use it immediately in this situation.
- Do not touch the plug with wet hands. Otherwise, it may cause electric shock.
- Do not use the travel voltage converter or AC/DC power inverter. Otherwise, it may cause damage, overheating, malfunction or fire to the camera.

## Waterproof and Dustproof Information

- The waterproof and dustproof performance described do not guarantee that the camera will remain completely waterproof or free from damage and trouble under all conditions.
- Do not subject the camera to excessive shock, Vibration or pressure by dropping it, hitting it or placing a heavy object on it. Failure to observe this precaution could deform the camera, cause water to seep inside, or damage the airtight seals, resulting in camera malfunction.
- The battery door must be closed securely and the lock engaged in order for the camera to be waterproof. Failure to do this can allow water to enter the camera and damage it.

## The camera can shoot images underwater at a depth of 3m (10ft) for up to 60 minutes.

- Do not drop the camera, strike it against a hard object such as a rock, or throw it against a water surface.
- Do not subject the camera to shock when using it underwater.
- Do not expose to depths greater than 3m (10ft) underwater.
- Do not continuously use the camera underwater for 60 minutes or more.
- Do not insert a wet memory card or battery in the camera.
- Do not open the battery cover when the camera or your hands are wet. Doing so may cause water to seep inside the camera or result in camera malfunction.
- Do not open the battery cover underwater.
- If moisture such as water droplets adheres to the outside of the camera or inside of the battery cover, immediately wipe it off with a soft dry cloth.
- If a foreign substance adheres to the outside of the camera or inside of the battery cover, immediately remove it with a soft cloth.
- Do not leave the camera in cold conditions or hot conditions of 40°C (104°F) or more for a long period of time.
- When using the camera underwater, make sure the water temperature is from 0°C-40°C (32°F to 104°F).
- Do not use the camera in hot springs.

# 1. About Your Camera

## Before Using the Camera Underwater

Check the items below before using the camera underwater.

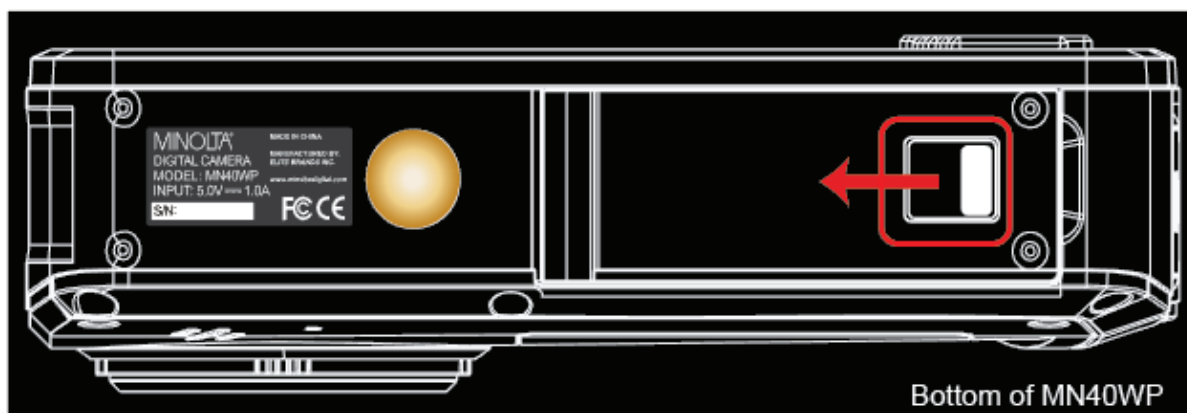
- Make sure that there are no foreign substances inside the battery cover.
- Make sure that the waterproof packing of the battery cover is not cracked or deformed.
- Make sure that the battery door is firmly closed and the battery cover security lock is in the LOCK position.
- Failure to follow these steps can result in damage to the camera.

## Notes about Opening and Closing the Battery Door

- Make sure the camera and your hands are not wet.
- Make sure that there are no debris inside the battery-chamber or memory card slot.
- Make sure that the battery cover is firmly closed and the security lock is in the lock position.

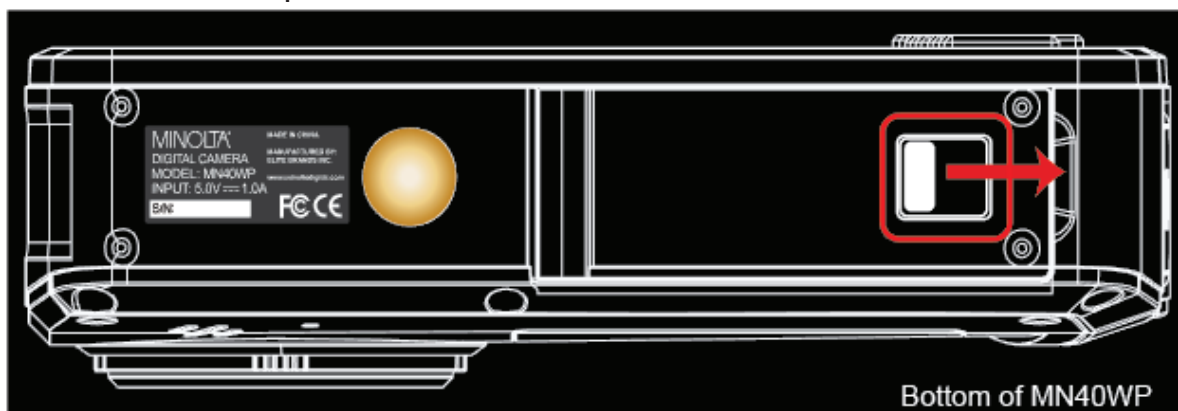
## To Unlock the Battery Door

Unlock the battery door by sliding the battery door notch away from the opening. Use a fingernail or other pointy object when sliding the latch to get a better grip.



## To Lock the Battery Door

1. Press the battery door down firmly until it is completely flat.
2. While the battery door is pressed down, slide the door latch into the locked position as shown in the figure below. Use a fingernail or other pointy object when sliding the latch to get a better grip. The battery door is fully locked once the latch clicks into place.



## **Precautions When Cleaning**

- Do not puncture the microphone or speaker openings with a sharp implement.
- If the inside of the camera is damaged, the waterproof performance will deteriorate.
- Do not use soap, natural detergents, or chemicals such as benzene for cleaning.

## **Do Not Apply Strong Impact to the Camera**

The product may malfunction if subjected to strong shock or vibration. In addition, do not touch or apply force to the lens.

## **Avoid Sudden Changes in Temperature**

Sudden changes in temperature, such as when entering or leaving a heated building on a cold day, can cause condensation to form inside the device. To prevent condensation, place the device in a carrying case or a plastic bag before exposing it to sudden changes in temperature.

## **Keep Away from Strong Magnetic Fields**

Do not use or store this device in the vicinity of equipment that generates strong electromagnetic radiation or magnetic fields. Doing so could result in loss of data or camera malfunction.

## **Do Not Point the Lens at Strong Light Sources for Extended Periods**

Avoid pointing the lens at the sun or other strong light source light sources for extended periods when using or storing the camera. Intense light may cause the image sensor to deteriorate or produce a white blur effect in photographs.

## **Turn the Product Off before Removing or Disconnecting the Power Source or Memory Card**

Do not remove the battery while the product is on, or while images are being saved or deleted. Forcibly cutting power in these circumstances could result in loss of data or cause damage to the memory card or internal circuitry.

## **Notes about the LCD Screen**

- The LCD Screens are constructed with extremely high precision; At least 99.99% of pixels are effective, with no more than 0.01% being missing or defective. Hence, while these displays may contain pixels that are always lit (white, red, blue or green) or always off (black), this is not a malfunction and has no effect on images recorded with the device.
- Images viewed on the LCD screen may be difficult to see under certain lighting.
- Do not apply pressure to the LCD screen, as this could cause damage or malfunction.

## The Battery

### Precautions for Use

- Note that the battery may become hot after use.
- Do not use the battery at ambient temperatures below 0°C (32°F) or above 40°C (104°F) as this could cause damage or malfunction.
- If you notice any abnormalities such as excessive heat, smoke, or an unusual smell coming from the battery, immediately discontinue use and consult your retailer.
- After removing the battery from the camera or optional battery charger, put the battery in a plastic bag, etc. in order to insulate it.

### Charging the Battery

Check the battery level before using the camera and replace or charge the battery if necessary.

- Charge the battery indoors with an ambient temperature of 5°C (41°F) to 35°C (95°F) before use.
- A high battery temperature may prevent the battery from charging properly or completely, and may reduce battery performance. Note that the battery may become hot after use; wait for the battery to cool before charging. When charging the battery inserted into this camera using the Charging AC Adapter or a computer, the battery is not charged at battery temperature below 5°C (41°F) or above 55°C (131°F).
- When the battery is between 45°C (113°F) - 55°C (131°F), the chargeable capacity may decrease.
- Do not continue charging once the battery is fully charged as this will result in reduce battery performance.
- The battery temperature may increase during charging. However, this is not a malfunction.

### Using the Battery When Cold

On cold days, the capacity of batteries tends to decrease. If an exhausted battery is used at a low temperature, the camera may not turn on. Keep spare batteries in a warm place and exchange as necessary. Once warmed, a cold battery may recover some of its charge.

### Recycling Used Batteries

Replace the battery when it no longer holds a charge. Used batteries are a valuable resource. Please recycle used batteries in accordance with local regulations.

### Cleaning After Using the Camera Underwater

Follow the procedure below to rinse the camera with fresh water within 30 minutes after using it under saltwater or at the beach.

1. Keep the battery cover closed and wash off the camera with fresh

- water. Immerse the camera in a shallow basin filled with fresh water for 10 minutes.
2. Immerse the camera in fresh water and shake it sufficiently in the water to remove any foreign substances from the camera.
  3. When the camera is immersed in the water, a few air bubbles may come out from the water drain holes of the camera such as openings in the microphone or speakers. This is not a malfunction.
  4. Wipe off water droplets with soft cloth and dry the camera in a well-ventilated and shady place.
  5. Place the camera on a dry cloth to dry it.
  6. Do not dry the camera with hot air from a hair dryer or clothes dryer.
  7. After making sure that there are no water droplets on the camera, open the battery cover and use a soft dry cloth to gently wipe off any water or sand remaining on the waterproof packing or inside the camera.
    - **If the cover is closed when the inside is wet, this could cause condensation or a malfunction.**

## **Cleaning After Using the Camera in Conditions Other than Underwater**

Use a blower to remove any dust or lint that adheres to the lens, monitor or camera body. To remove fingerprints or other stains that cannot be removed with a blower, gently wipe the parts with a soft dry cloth. If you wipe with too much pressure or with a rough cloth, it may damage the camera or cause a malfunction.

## **Storage**

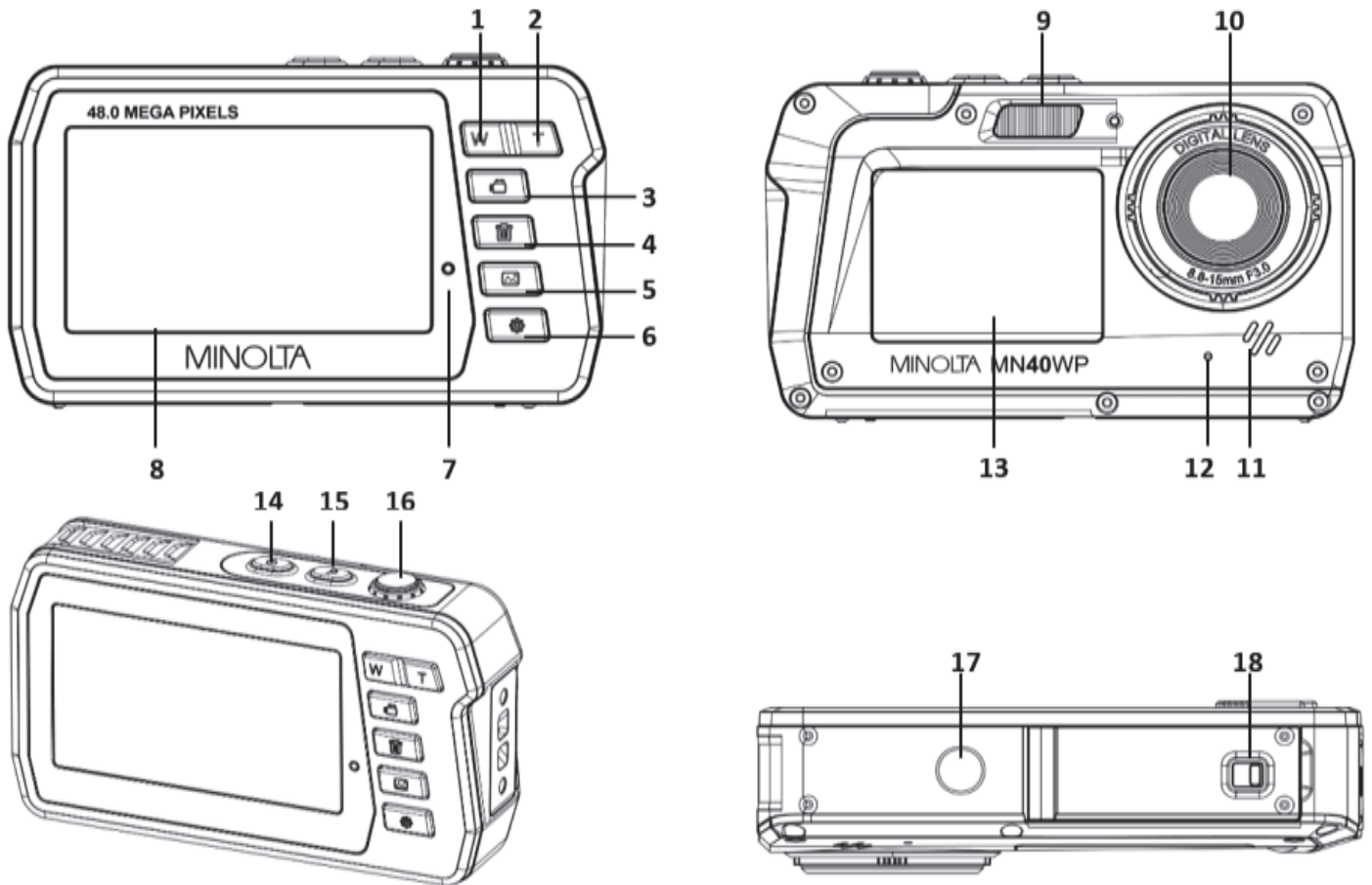
If you do not intend to use the camera for an extended period, remove the battery and avoid storing the camera in any of the following types of locations:

- Places that are poorly ventilated or subject to humidity of over 60%
- Place exposed to temperatures above 50°C (122°F) or below -10°C (14°F).
- Place next to equipment that produces strong electromagnetic field, such as television or radios.

To prevent mold or mildew, take the camera out of storage at least once a month, and turn it on and release the shutter a few times before putting it away again.



## 1.1 Camera Interface



1. Zoom Out / Left	10. Lens
2. Zoom In / Right	11. Speaker
3. Flash / Up	12. Microphone
4. Delete / Down	13. Front LCD Screen
5. Mode	14. Power
6. Settings / OK	15. Switch Screen
7. Indicator light	16. Shutter
8. Main LCD Screen	17. Tripod Mount
9. LED Flash	18. Battery Cover/Lock

## 1.2 Button Function Description

Function	Description
Power	Press for 3 seconds to power on or off.
Settings   OK	Tap to access the settings menu and to confirm selected setting.
Zoom Out   Left	<b>In Video or Photo:</b> Press to zoom-out. <b>In Settings:</b> Press to select submenu. <b>In Playback:</b> Press to view multiple images on the screen.
Zoom In   Right	<b>In Video or Photo:</b> Press to zoom-in. <b>In Settings:</b> Press to select submenu. <b>In Playback:</b> Press to zoom in on the image displayed on the screen.
Flash   Up	<b>In Photo:</b> Press to change the flash settings. <b>In Playback:</b> Press to go to the previous image. <b>In Settings:</b> Press to select desired setting.
Delete   Down	<b>In Video or Photo:</b> Press to delete the last recorder video or image. <b>In Playback:</b> Press to go to the next image. <b>In Settings:</b> Press to select desired setting.
Mode	Tap to cycle between Photo, Video and Playback modes.
Shutter	<b>In Photo:</b> Tap to capture a photo. <b>In Video:</b> Tap to start and stop recording. <b>In Playback:</b> Tap to play and pause recorded videos.
Switch Screen	Switches the LCD screen that is powered on.
Tripod Mount	Mount port for attaching to a tripod nut.
Battery Door	Door to cover the battery compartment and memory card slot.
Speaker	Built-in speaker output for playback of video files when audio recording is enabled.
Lens	Front capture device for all video and photo.

## 2. First Use

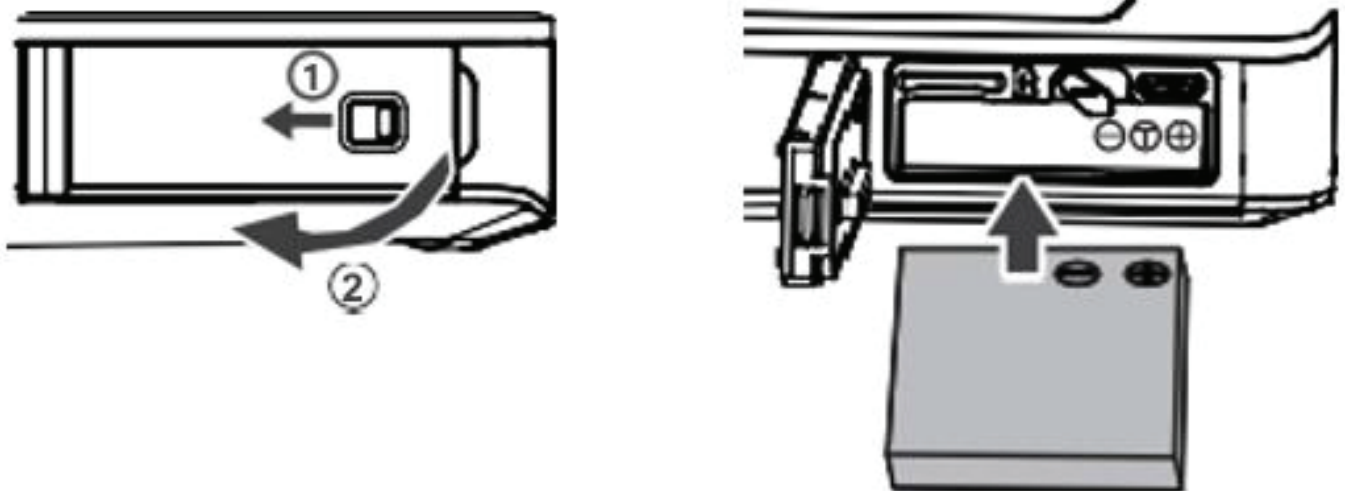
### 2.1 To Open the Battery Door

Unlock the battery door by sliding the battery door notch away from the opening. Use a fingernail or other pointy object when sliding the latch to get a better grip.



### 2.2 Installing the Battery

Insert the lithium-ion battery into the battery compartment with the metal contacts facing the inside of the camera. The battery can only be inserted one way.



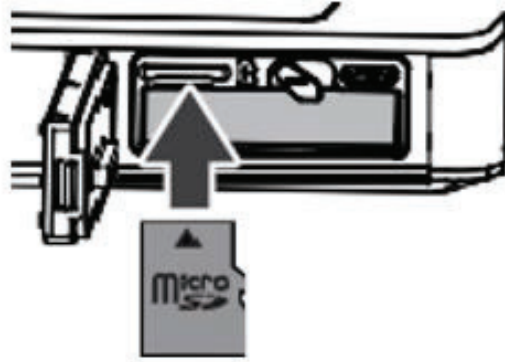
### 2.3 Installing the Memory Card

Insert the included Micro SD memory card to record and store your videos and photos. When the battery is low, media stored on the memory card will not be erased. Please insert the SD memory card by following the steps below:

1. Open the battery door by following the diagram above.
2. Insert the memory card. Ensure that the metal contacts are inserted first. Push the memory card down until you hear an audible click.

**The memory card can only be inserted in one way. Do not force the card in if it will not go in smoothly.**

3. Close the memory card door by pushing it down and sliding the lock back into place.
4. To remove the memory card, simply push in and the card will eject back out.



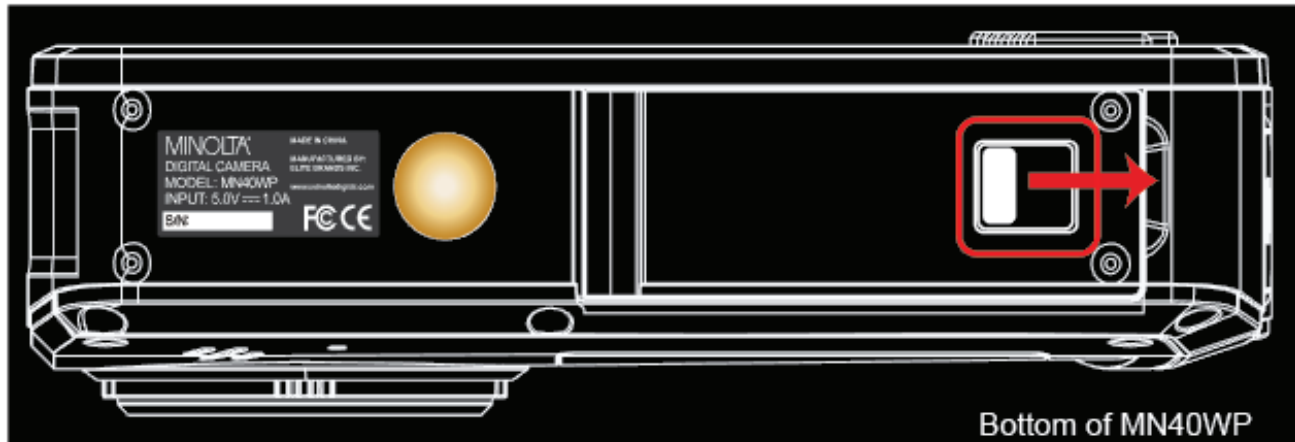
### NOTE:

- Please format the memory card before using the camera (Caution, this will erase all data on the card).
- Do not remove or insert the memory card when recording. It may damage the card or cause data loss.
- Memory card rating must be Class 6 or above.

***NOTE: After closing the battery door, make sure that the door is closed securely and the lock engaged. Failure to do this can allow water to enter the camera and damage it.***

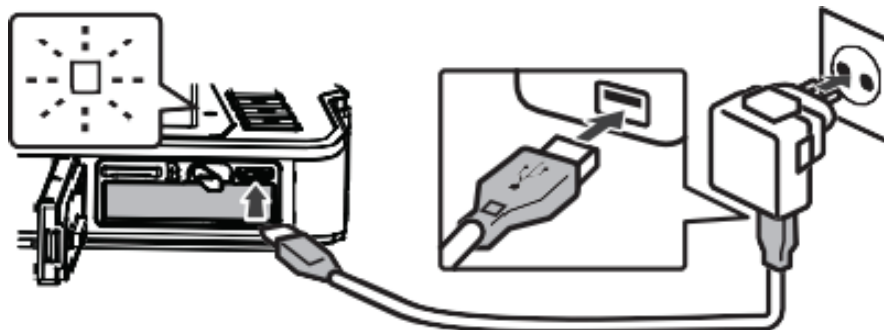
### 2.4 To Lock the Battery Door

1. Press the battery door down firmly until it is completely flat.
2. While the battery door is pressed down, slide the door latch into the locked position as shown in the figure below. Use a fingernail or other pointy object when sliding the latch to get a better grip. The battery door is fully locked once the latch clicks into place.



### 2.5 Charging the Battery

Connect your camera to the included AC adaptor with the USB cable provided for charging. Insert the small end of the USB plug into the camera's port under the battery door, and the larger end in to the included AC adaptor. While charging the LED indicator light will light up solid red, when finished charging the light will turn off.



### 2.6 Powering the Camera On/Off

Hold the POWER button for 3 seconds to power the camera on. To power the camera off, press and hold the POWER button for a further 3 seconds. If the camera's battery is low, a "Low Power" message will display on the screen and it will automatically shut down within a few seconds to prevent memory corruption or loss.

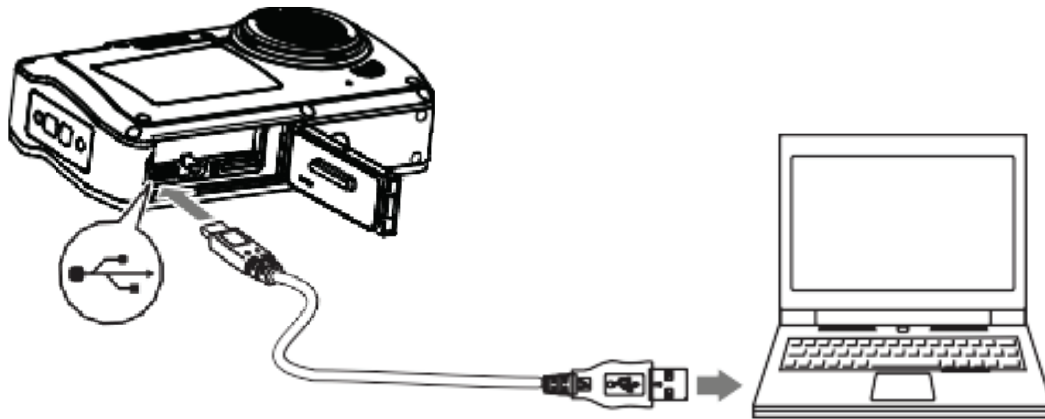
### 2.7 Switching Modes

Press the MODE button to cycle between Photo, Video and Playback Modes. The corresponding mode will be displayed in the top left corner of

the screen.

### 2.8 Connecting to a Computer

Your camera can connect to a computer to transfer photo and video files for viewing and editing, as shown below. Once connected and powered on, the camera's screen will enter "Mass Storage" mode automatically.



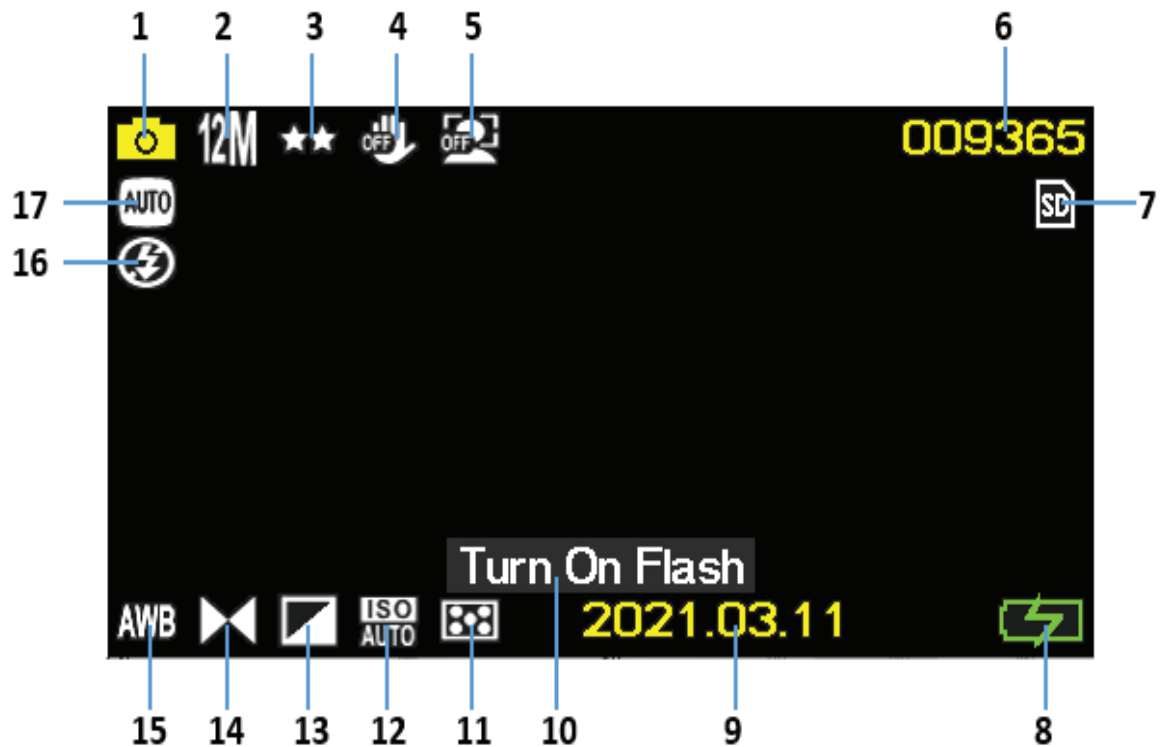
### 2.9 Using the Zoom Function

This camera has a digital zoom function. To operate the zoom function, press the ZOOM-IN button to zoom in closer to the subject, and press the ZOOM-OUT button zoom away from the subject.

### 2.10 Photo Mode

Press the MODE button to switch to Photo Mode. The meaning of each icon within Photo Mode is explained in the table below:

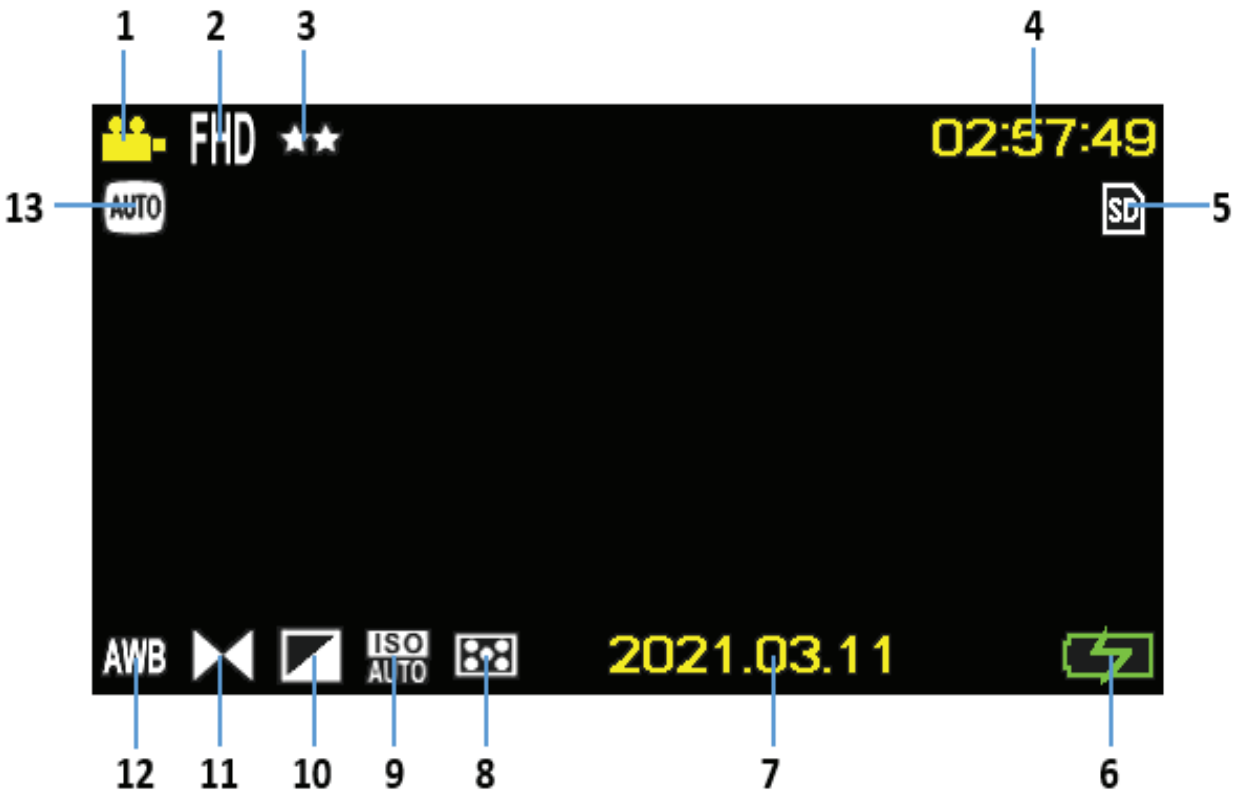
1) Photo Mode	7) Memory Card Inserted	13) Light Exposure
2) Image Size (Resolution)	8) Battery Level	14) Image Sharpness
3) Image Quality	9) Current Date	15) White Balance
4) Anti-Shake	10) Flash Needed	16) Flash Status
5) Face Detect	11) Metering	17) Scene
6) Pictures Remaining	12) ISO	



### 2.11 Video Mode

Press the MODE button to switch to Video Mode. The meaning of each icon within Video Mode is explained in the table below:

1) Video Mode	6) Battery Level	10) Light Exposure
2) Video Size (Resolution)	7) Current Date	11) Image Sharpness
3) Video Quality	8) Metering	12) White Balance
4) Video Time Remaining	9) ISO	13) Scene
5) Memory Card Inserted		





### 3. Using the Camera

#### 3.1 Photo Shooting

Power the camera on and it will be ready to take pictures right away. You may press the MODE button to switch to another mode.

1. Line up your shot by looking at the LCD screen to see what is in the shot.
2. Hold the camera steady and press the SHUTTER button to capture a photo.
3. The number of photos that can be captured at a particular resolution will be displayed in the top right corner of the screen.
4. A “Memory Full” message will be displayed on the screen if there is no SD card inserted in the camera’s memory card slot. A “Memory Full” message will be shown on the screen when the SD card is full.
5. The number of remaining photos is determined by the selected photo resolution. The higher the photo resolution, the lower the number of photos you are able to be save to the memory card. Before capturing any photos, you can select a preferred photo resolution.

The front LCD screen can be used to take selfies. Simply press the SWITCH SCREEN button and the front LCD screen will turn on. Then use the camera as normal. Press the SWITCH SCREEN button to turn the rear LCD screen back on.

**Note:** Only one LCD screen is active at a time, when one of the screens is off, this is not a malfunction.

##### 3.1.1 Scene

This function adjusts the camera’s settings to predetermined values that will produce the best image for that selected scene.

1. In Photo Mode press the SETTINGS button.
2. Select ‘Scene’ using the LEFT or RIGHT buttons.
3. Press the UP or DOWN buttons to navigate the menu, and press the OK button to confirm your selected option (*Auto, Scenery, Portrait, Night Scenery, Night Portrait, High Sensitivity, Sport, Beach, Party*).
4. Press the MODE button to exit the settings menu.

##### 3.1.1 Image Resolution (Photo Size)

This function sets the photo resolution. The higher the resolution, the greater the photo quality and the larger the file size of the photo.

1. In Photo Mode press the SETTINGS button.
2. Select ‘Image Resolution’ using the LEFT or RIGHT buttons.
3. Press the UP or DOWN buttons to navigate the menu, and press the OK button to confirm your selected resolution (*48MP, 30MP, 24MP, 20MP, 16MP, 12MP, 8MP, 7MP, 5MP, 3MP, 2MP*).

4. Press the MODE button to exit the settings menu.

### 3.1.2 Image Quality

The Photo Quality function determines the level of compression the camera uses when saving photos to a memory card.

1. In Photo Mode press the SETTINGS button.
2. Select '*Image Quality*' using the LEFT or RIGHT buttons.
3. Press the UP or DOWN buttons to navigate the menu, and press the OK button to confirm your required quality option (*Normal, Fine, Super Fine*), Super Fine uses the least amount of compression for saving, and as a result produces a higher photo quality.
4. Press the MODE button to exit the settings menu.

### 3.1.3 Self-Timer

This function determines the time delay before a photograph is captured. This setting can be used by photographers to take photographs of themselves.

1. In Photo Mode press the SETTINGS button.
2. Select '*Self Timer*' using the LEFT or RIGHT buttons.
3. Press the UP or DOWN buttons to navigate the menu, and press the OK button to confirm your selected option (*2 Seconds, 5 Seconds, 10 Seconds, Off*).
4. Press the MODE button to exit the settings menu.

### 3.1.4 Anti-Shake

This function enables photo capture in high speed and low-light by electronically minimizing motion blur and reducing camera shake.

1. In Photo Mode press the SETTINGS button.
2. Select '*Anti-Shake*' using the LEFT or RIGHT buttons.
3. Press the UP or DOWN buttons to navigate the menu, and press the OK button to confirm your selected option (*On, Off*).
4. Press the MODE button to exit the settings menu.

### 3.1.5 Face Detect

This function allows you to set your camera to detect faces in a scene and adjust your camera's setting for the most optimal picture. You can also enable your camera to capture a photo once a smile is detected on the faces in a scene.

1. In Photo Mode press the SETTINGS button.
2. Select '*Face Detect*' using the LEFT or RIGHT buttons.
3. Press the UP or DOWN buttons to navigate the menu, and press the OK button to confirm your selected option (*On, Off*).

4. Press the MODE button to exit the settings menu.

### 3.1.6 Multi Snapshots (Photo Burst)

This function allows to you capture 6 consecutive photos with one click of the PHOTO button.

1. In Photo Mode press the SETTINGS button.
2. Select '*Multi Snapshots*' using the LEFT or RIGHT buttons.
3. Press the UP or DOWN buttons to navigate the menu, and press the OK button to confirm your selected option (*On, Off*).
4. Press the MODE button to exit the settings menu.

### 3.1.7 White Balance

White Balance changes the color of light in your pictures, making it seem warmer or cooler depending on how the light you're shooting in affects the frame.

1. In Photo Mode press the SETTINGS button.
2. Select '*White Balance*' using the LEFT or RIGHT buttons.
3. Press the UP or DOWN buttons to navigate the menu, and press the OK button to confirm your selected option (*Auto, Daylight, Cloudy, Florescent, Incandescent*).
4. Press the MODE button to exit the settings menu.

### 3.1.8 Color Effect

This function sets the color filter effect of a photograph.

1. In Photo Mode press the SETTINGS button.
2. Select '*Color Effect*' using the LEFT or RIGHT buttons.
3. Press the UP or DOWN buttons to navigate the menu, and press the OK button to confirm your selected option (*Standard, Sepia, Monochrome, Vivid*).
4. Press the MODE button to exit the settings menu.

### 3.1.9 Image Sharpness

This function adjusts the visible detail of a photograph.

1. In Photo Mode press the SETTINGS button.
2. Select '*Image Sharpness*' using the LEFT or RIGHT buttons.
3. Press the UP or DOWN buttons to navigate the menu, and press the OK button to confirm your selected option (*Soft, Normal, Sharp*).
4. Press the MODE button to exit the settings menu.

### 3.1.10 Light Exposure

This function adjusts the frame brightness in your photograph.

1. In Photo Mode press the SETTINGS button.

2. Select '*Light Exposure*' using the LEFT or RIGHT buttons.
3. Press the UP or DOWN buttons to navigate the menu, and press the OK button to confirm your selected option (+3, +2, +1, 0, -1, -2, -3).
4. Press the MODE button to exit the settings menu.

### 3.1.11 ISO

This function adjusts the light sensitivity in your photograph.

1. In Photo Mode press the SETTINGS button.
2. Select '*ISO*' using the LEFT or RIGHT buttons.
3. Press the UP or DOWN buttons to navigate the menu, and press the OK button to confirm your selected option (*ISO Auto, ISO 100, ISO 200, ISO 400*).
4. Press the MODE button to exit the settings menu.

### 3.1.12 Metering

Metering mode refers to the way in which a camera determines the appropriate exposure (quantity of light reaching the camera lens). Spot metering will only base the exposure setting on a very small area of the scene. Center metering will use the light from the center of the LCD and the Multi setting measures the light at several points on the screen.

1. In Photo Mode press the SETTINGS button.
2. Select '*Metering*' using the LEFT or RIGHT buttons.
3. Press the UP or DOWN buttons to navigate the menu, and press the OK button to confirm your selected option (*Center, Multi, Spot*).
4. Press the MODE button to exit the settings menu.

### 3.1.13 Language

This function allows you to set the camera's interface language.

1. In Photo Mode press the SETTINGS button.
2. Select '*Language*' using the LEFT or RIGHT buttons.
3. Press the UP or DOWN buttons to navigate the menu, and press the OK button to confirm your selected language.
4. Press the MODE button to exit the settings menu.

### 3.1.14 Date/Time

This function allows you to set the current Date and Time on your recorded video clips and captured photos.

1. In Photo Mode press the SETTINGS button.
2. Select '*Date/Time*' using the LEFT or RIGHT buttons.
3. Press the UP or DOWN buttons to navigate the menu, and press the OK button to confirm your selected option (*On, Off, Date Setup*).
4. Press the MODE button to exit the settings menu.

5. To set the current date and time use the UP or DOWN buttons to select Date Setup, and press the OK button to enter date setup menu.
6. Use the UP or DOWN buttons to change the highlighted field.
7. Use the LEFT or RIGHT buttons to change the selected field.
8. Press the OK button to save the entered date and time and to exit the menu.

### 3.1.15 Silent Mode

This function allows you to turn off the sounds of the camera.

1. In Photo Mode press the SETTINGS button.
2. Select '*Silent Mode*' using the LEFT or RIGHT buttons.
3. Press the UP or DOWN buttons to navigate the menu, and press the OK button to confirm your selected option (*On, Off*).
4. Press the MODE button to exit the settings menu.

### 3.1.16 Auto Power Off

This function sets the duration of time in which the camcorder will wait with no user input before automatically powering off.

1. In Photo Mode press the SETTINGS button.
2. Select '*Auto Power Off*' using the LEFT or RIGHT buttons.
3. Press the UP or DOWN buttons to navigate the menu, and press the OK button to confirm your selected option (*1 Minute, 3 Minutes, 5 Minutes, Off*).
4. Press the MODE button to exit the settings menu.

### 3.1.17 Frequency

This function sets the frequency of the camera from 50Hz to 60Hz. Please check the frequency of your location and set accordingly.

1. In Photo Mode press the SETTINGS button.
2. Select '*Frequency*' using the LEFT or RIGHT buttons.
3. Press the UP or DOWN buttons to navigate the menu, and press the OK button to confirm your selected option (*50 Hz, 60 Hz*) the default frequency for the United States is 60Hz.
4. Press the MODE button to exit the settings menu.

### 3.1.18 Format Memory Card

The format setting erases all photos, videos and data stored on your memory card.

1. In Photo Mode press the SETTINGS button.
2. Select '*Format Memory Card*' using the LEFT or RIGHT buttons.
3. Press the UP or DOWN buttons to navigate the menu, and press the OK button to confirm your selected option (*Yes, No*).

4. Press the MODE button to exit the settings menu.

***NOTE: This will delete all of your media and cannot be undone.***

### 3.1.19 Restore Default Settings

Factory default settings can be restored in this menu. This function will not delete the media stored on the memory card, and will only restore all of the menu's setting back to factory default settings.

1. In Photo Mode press the SETTINGS button.
2. Select 'Firmware' using the LEFT or RIGHT buttons.
3. Press the UP or DOWN buttons to navigate the menu, and press the OK button to confirm your selected option (Yes, No).
4. Press the MODE button to exit the settings menu.

### 3.2 Video Recording

Power the camera on and press the MODE button to switch to Video mode. A camcorder icon will appear in the top left hand corner of the screen when you are in Video mode.

1. Line up your shot by looking at the LCD screen to see what is in view.
2. Hold the camera steady and press the SHUTTER button to begin recording.
3. When recording begins, a rolling timer will display in red in the top right hand corner of the screen. This indicates the recorded video time elapsed.
4. Press the SHUTTER button to stop recording.
5. The recorded video files will automatically save onto the inserted memory card.

The front LCD screen can be used to record selfie videos. Simply press the SWITCH SCREEN button and the front LCD screen will turn on. Then use the camera as normal. Press the SWITCH SCREEN button to turn the rear LCD screen back on.

#### 3.2.1 Scene

This function adjusts the camera's settings to predetermined values that will produce the best image for that selected scene.

1. In Video Mode press the SETTINGS button.
2. Select 'Scene' using the LEFT or RIGHT buttons.
3. Press the UP or DOWN buttons to navigate the menu, and press the OK button to confirm your selected option (*Auto, Scenery, Portrait, Night Scenery, Night Portrait, High Sensitivity, Sport, Beach, Party*).
4. Press the MODE button to exit the settings menu.

#### 3.2.2 Image Size (Movie Resolution)

Your camera has a number of preset resolutions and frames per second rates.

1. In Video Mode press the SETTINGS button.
2. Select 'Image Size' using the LEFT or RIGHT buttons.
3. Press the UP or DOWN buttons to navigate the menu, and press the OK button to confirm your selected resolution (*2.7K 2688x1520, FHD 1920x1080, HD 1280x720*).
4. Press the MODE button to exit the settings menu.

#### 3.2.3 Image Quality

The Image Quality function determines the level of compression the camera uses when saving photos to a memory card.

1. In Video Mode press the SETTINGS button.
2. Select 'Image Quality' using the LEFT or RIGHT buttons.
3. Press the UP or DOWN buttons to navigate the menu, and press the OK

button to confirm your required quality option (*Normal, Fine, Super Fine*), Super Fine uses the least amount of compression for saving, and as a result produces a higher photo quality.

4. Press the MODE button to exit the settings menu.

### 3.2.4 White Balance

White Balance changes the color of light in your pictures, making it seem warmer or cooler depending on how the light you're shooting in affects the frame.

1. In Video Mode press the SETTINGS button.
2. Select '*White Balance*' using the LEFT or RIGHT buttons.
3. Press the UP or DOWN buttons to navigate the menu, and press the OK button to confirm your selected option (*Auto, Daylight, Cloudy, Florescent, Incandescent*).
4. Press the MODE button to exit the settings menu.

### 3.2.5 Color Effect

This function sets the color filter effect of a photograph.

1. In Video Mode press the SETTINGS button.
2. Select '*Color Effect*' using the LEFT or RIGHT buttons.
3. Press the UP or DOWN buttons to navigate the menu, and press the OK button to confirm your selected option (*Standard, Sepia, Monochrome, Vivid*).
4. Press the MODE button to exit the settings menu.

### 3.2.6 Image Sharpness

This function adjusts the visible detail of a photograph.

1. In Video Mode press the SETTINGS button.
2. Select '*Image Sharpness*' using the LEFT or RIGHT buttons.
3. Press the UP or DOWN buttons to navigate the menu, and press the OK button to confirm your selected option (*Soft, Normal, Sharp*).
4. Press the MODE button to exit the settings menu.

### 3.2.7 Light Exposure

This function adjusts the frame brightness in your photograph.

1. In Video Mode press the SETTINGS button.
2. Select '*Light Exposure*' using the LEFT or RIGHT buttons.
3. Press the UP or DOWN buttons to navigate the menu, and press the OK button to confirm your selected option (*+3, +2, +1, 0, -1, -2, -3*).
4. Press the MODE button to exit the settings menu.



### 3.2.8 ISO

This function adjusts the light sensitivity in your photograph.

1. In Video Mode press the SETTINGS button.
2. Select 'ISO' using the LEFT or RIGHT buttons.
3. Press the UP or DOWN buttons to navigate the menu, and press the OK button to confirm your selected option (*ISO Auto, ISO 100, ISO 200, ISO 400*).
4. Press the MODE button to exit the settings menu.

### 3.2.9 Metering

Metering mode refers to the way in which a camera determines the appropriate exposure (quantity of light reaching the camera lens). Spot metering will only base the exposure setting on a very small area of the scene. Center metering will use the light from the center of the LCD and the Multi setting measures the light at several points on the screen.

1. In Video Mode press the SETTINGS button.
2. Select 'Metering' using the LEFT or RIGHT buttons.
3. Press the UP or DOWN buttons to navigate the menu, and press the OK button to confirm your selected option (*Center, Multi, Spot*).
4. Press the MODE button to exit the settings menu.

### 3.2.10 Language

This function allows you to set the camera's interface language.

1. In Video Mode press the SETTINGS button.
2. Select 'Language' using the LEFT or RIGHT buttons.
3. Press the UP or DOWN buttons to navigate the menu, and press the OK button to confirm your selected language.
4. Press the MODE button to exit the settings menu.

### 3.2.11 Date/Time

This function allows you to set the current Date and Time on your recorded video clips and captured photos.

1. In Video Mode press the SETTINGS button.
2. Select 'Date/Time' using the LEFT or RIGHT buttons.
3. Press the UP or DOWN buttons to navigate the menu, and press the OK button to confirm your selected option (*On, Off, Date Setup*).
4. Press the MODE button to exit the settings menu.
5. To set the current date and time use the UP or DOWN buttons to select Date Setup, and press the OK button to enter date setup menu.
6. Use the UP or DOWN buttons to change the highlighted field.
7. Use the LEFT or RIGHT buttons to change the selected field.
8. Press the OK button to save the entered date and time and to exit the menu.

### 3.2.12 Auto Power Off

This function sets the duration of time in which the camcorder will wait with no user input before automatically powering off.

1. In Video Mode press the SETTINGS button.
2. Select '*Auto Power Off*' using the LEFT or RIGHT buttons.
3. Press the UP or DOWN buttons to navigate the menu, and press the OK button to confirm your selected option (*1 Minute, 3 Minutes, 5 Minutes, Off*).
4. Press the MODE button to exit the settings menu.

### 3.2.13 Frequency

This function sets the frequency of the camera from 50Hz to 60Hz. Please check the frequency of your location and set accordingly.

1. In Video Mode press the SETTINGS button.
2. Select '*Frequency*' using the LEFT or RIGHT buttons.
3. Press the UP or DOWN buttons to navigate the menu, and press the OK button to confirm your selected option (*50 Hz, 60 Hz*) the default frequency for the United States is 60Hz.
4. Press the MODE button to exit the settings menu.

### 3.2.14 Format Memory Card

The format setting erases all photos, videos and data stored on your memory card.

1. In Video Mode press the SETTINGS button.
2. Select '*Format Memory Card*' using the LEFT or RIGHT buttons.
3. Press the UP or DOWN buttons to navigate the menu, and press the OK button to confirm your selected option (*Yes, No*).
4. Press the MODE button to exit the settings menu.

***NOTE: This will delete all of your media and cannot be undone.***

### 3.2.15 Restore Default Settings

Factory default settings can be restored in this menu. This function will not delete the media stored on the memory card, and will only restore all of the menu's setting back to factory default settings.

1. In Video Mode press the SETTINGS button.
2. Select '*Firmware*' using the LEFT or RIGHT buttons.
3. Press the UP or DOWN buttons to navigate the menu, and press the OK button to confirm your selected option (*Yes, No*).
4. Press the MODE button to exit the settings menu.

### 3.3 Playback Mode

Videos and photos captured on your camera can be easily played back.

1. Press the MODE button to enter Playback mode, a play icon will display in the top left corner of the screen.
2. Press the UP or DOWN buttons to cycle through the captured videos and photos stored on the memory card.
2. To enter into a video or photo, press the PHOTO button.
3. When viewing a photo press and hold the ZOOM-IN button to zoom in on the picture on the screen, press and hold the ZOOM-OUT button to view the entire image. While zoomed in, press the OK to enter panning mode, then use the UP, DOWN, LEFT or RIGHT buttons to move the image on the screen.
4. Push the ZOOM-OUT button to see 9 images on the screen at once. Use the UP or DOWN buttons to change the page. Press the OK button or tap the picture on the screen to view the selected media.
5. While viewing a recorded video, press the SHUTTER button to start the video, press the SHUTTER button again to pause the video and press the FLASH/UP button to stop the video.

Power the camera on and press the MODE button to switch to Playback Mode. In Playback Mode the following options are available:

#### 3.4.1 Delete

This function is used to delete photos and videos. Photos and videos can be deleted singly or all at once.

1. In Playback Mode press the SETTINGS button.
2. Select '*Delete*' using the LEFT or RIGHT buttons.
3. Press the UP or DOWN buttons to navigate the menu, and press the OK button to confirm your selected option (*Delete This Image?*, *Delete All Images?*, *Cancel*).
4. Press the MODE button to exit the settings menu.

#### 3.4.2 Rotate

This function allows you to rotate stored images.

1. In Playback Mode press the SETTINGS button.
2. Select '*Rotate*' using the LEFT or RIGHT buttons.
3. Press the UP or DOWN buttons to navigate the menu, and press the OK button to confirm your selected option (*90°*, *180°*, *270°*, *Cancel*).
4. Press the MODE button to exit the settings menu.

### 3.4.3 Protect/Lock

This function protects the photo/video file. The file will be protected from being deleted accidentally. Files must be unprotected to be deleted.

1. In Playback Mode press the SETTINGS button.
2. Select '*Protect/Lock*' using the LEFT or RIGHT buttons.
3. Press the UP or DOWN buttons to navigate the menu, and press the OK button to confirm your selected option (*Lock This Image, Unlock This Image, Lock All Images, Unlock All Images*).
4. Press the MODE button to exit the settings menu.

### 3.4.4 Print This Photo

This function allows you to print images when the camera is connected to a Pictbridge printer. Note, this function only works with certain Pictbridge printers.

1. In Playback Mode press the SETTINGS button.
2. Select '*Print This Photo*' using the LEFT or RIGHT buttons.
3. Press the UP or DOWN buttons to navigate the menu, and press the OK button to confirm your selected option (*Print This Photo, Cancel*).
4. Press the MODE button to exit the settings menu.

### 3.4.3 Slideshow

Photographs can be viewed as a slideshow on the camera.

1. In Playback Mode press the SETTINGS button.
2. Select '*Slide Show*' using the LEFT or RIGHT buttons.
3. Press the UP or DOWN buttons to navigate the menu, and press the OK button to confirm your selected option (*3 Seconds, 5 Seconds, 10 Seconds*).
4. Press the OK button to exit the slideshow.
5. Press the MODE button to exit the settings menu.

## 4.1 Technical Specifications

<b>Model Number</b>	Minolta MN40WP
<b>Lens</b>	Fixed Focus • f=8.15mm • F/3.0
<b>Zoom</b>	16X Digital Zoom
<b>Image Sensor</b>	13MP CMOS Sensor
<b>Shutter</b>	Electronic • Anti-Shake Image Stabilization
<b>Pixels (photo)</b>	JPEG: 48 MP • 30 MP • 24 MP • 20 MP • 16 MP • 12 MP • 10 MP • 8 MP • 5 MP • 3MP • 2MP
<b>Pixels (video)</b>	MOV: 2.7K • 1080p • 720p
<b>ISO Sensitivity</b>	Auto • 100 • 200 • 400
<b>LCD Screen</b>	Rear: 3.0" TFT LCD Screen
	Front: 2.0" TFT LCD Screen
<b>Assistive Light</b>	White LED
<b>Waterproof</b>	Up to 10 feet for up to 60 minutes
<b>Power Saving Mode</b>	OFF • 1 Minute • 3 Minutes • 5 Minutes
<b>White Balance Control</b>	Auto • Daylight • Cloudy • Florescent • Incandescent
<b>Scene Modes</b>	Auto • Scenery • Portrait • Night Scenery • Night Portrait • High Sensitivity • Sport • Beach • Party
<b>Recording Media</b>	Micro SD • MicroSDHC; Maximum: 128GB
<b>I/O Ports</b>	5-pin Micro USB, USB 2.0 (high speed) • Microphone (built-in MIC) • Speaker
<b>Power</b>	Lithium-Ion 3.7V, 1500mAh, 5.55Wh
<b>Dimensions</b>	4.4 x 2.7 x 1.3 in. • 5.8 oz.



# MINOLTA®

*Minolta is a registered trademark of JMM Lee Properties, LLC  
and is used in the United States by Elite Brands Inc. under license.*

*40 Wall Street, 61st Floor, New York, NY 10005 USA • Tel: 800-441-1100  
www.minoltadigital.com • www.elitebrands.com  
Copyright © 2021 Elite Brands Inc.*

***If you're having difficulties with your camera, or would like further assistance,  
please call our toll-free technical support hotline at 800-441-1100. Please be  
sure to have your camera handy when calling.***



