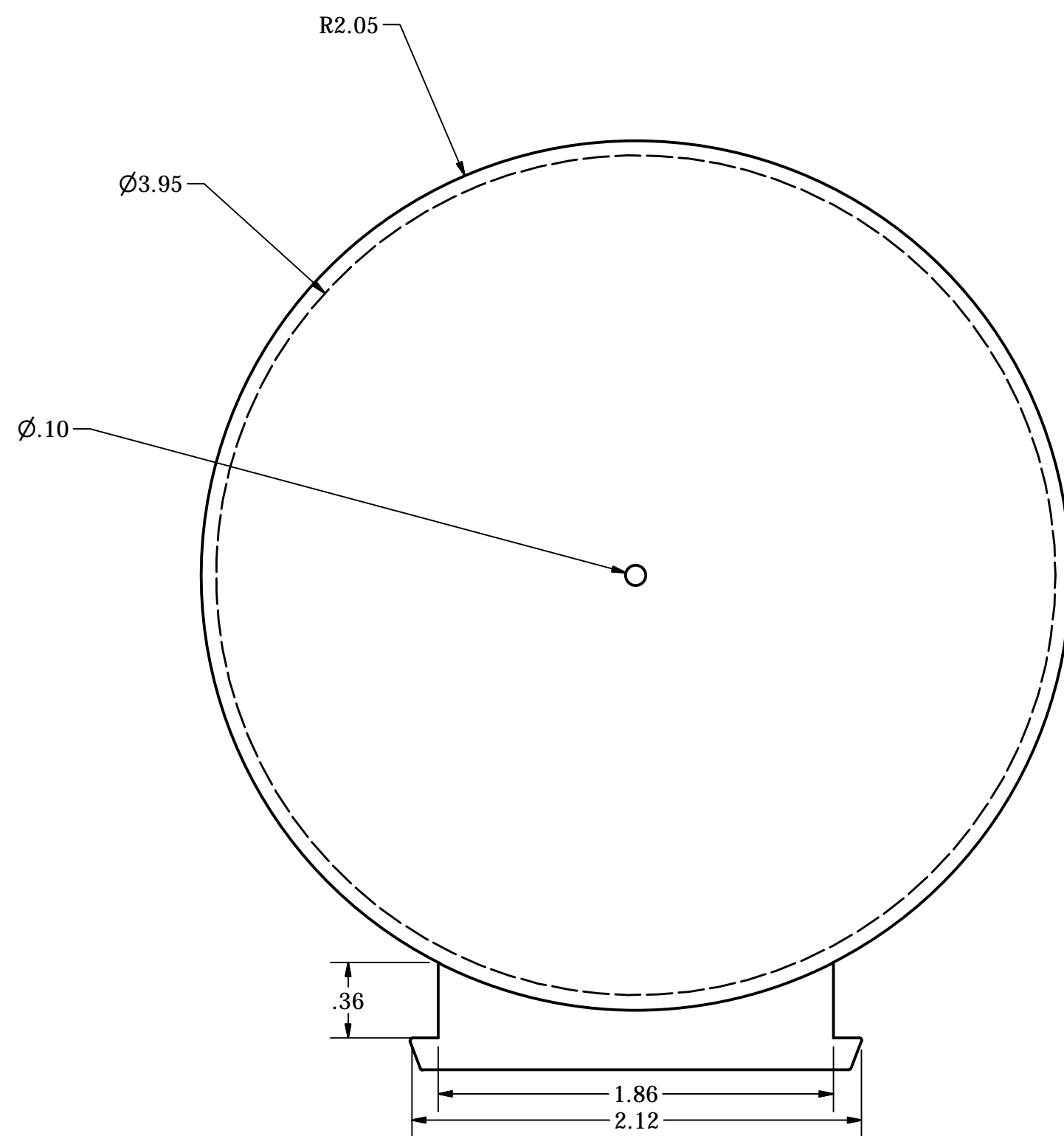
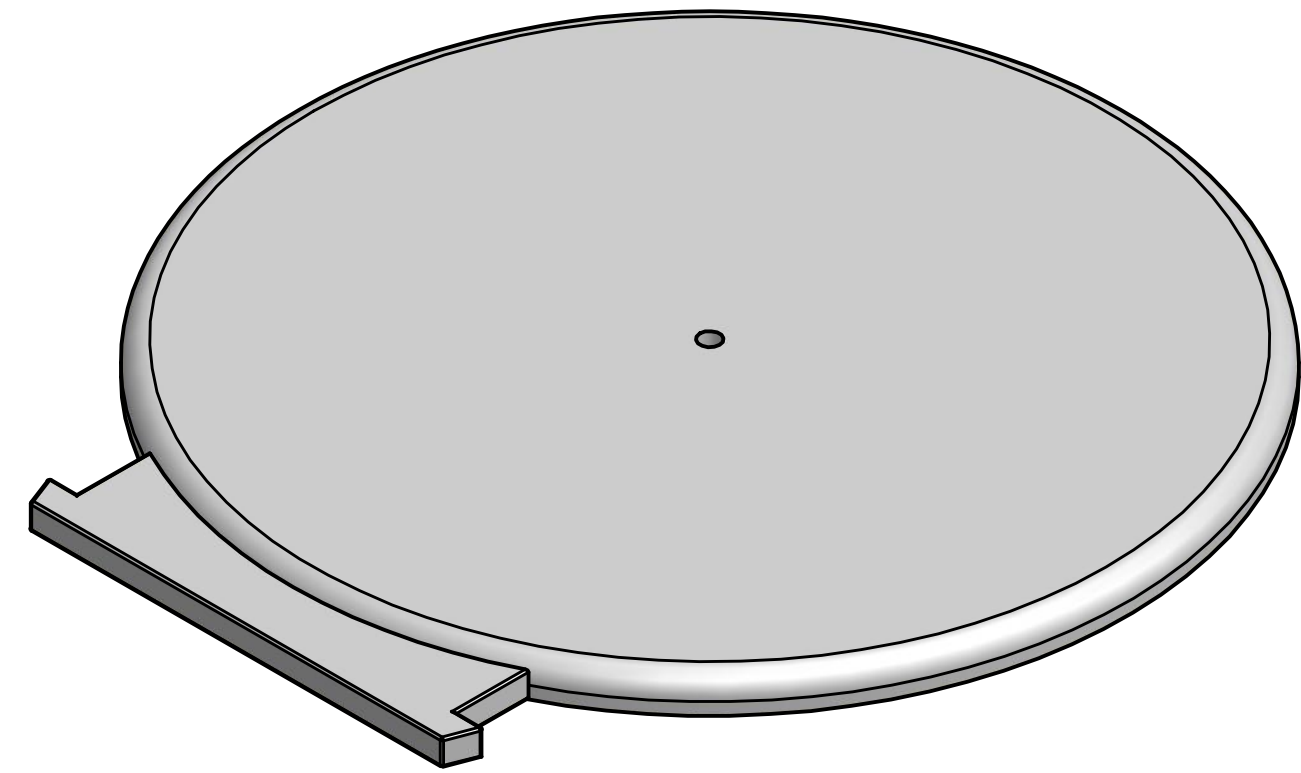
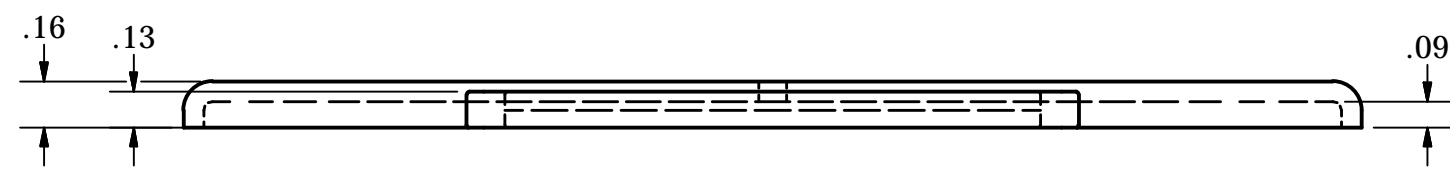
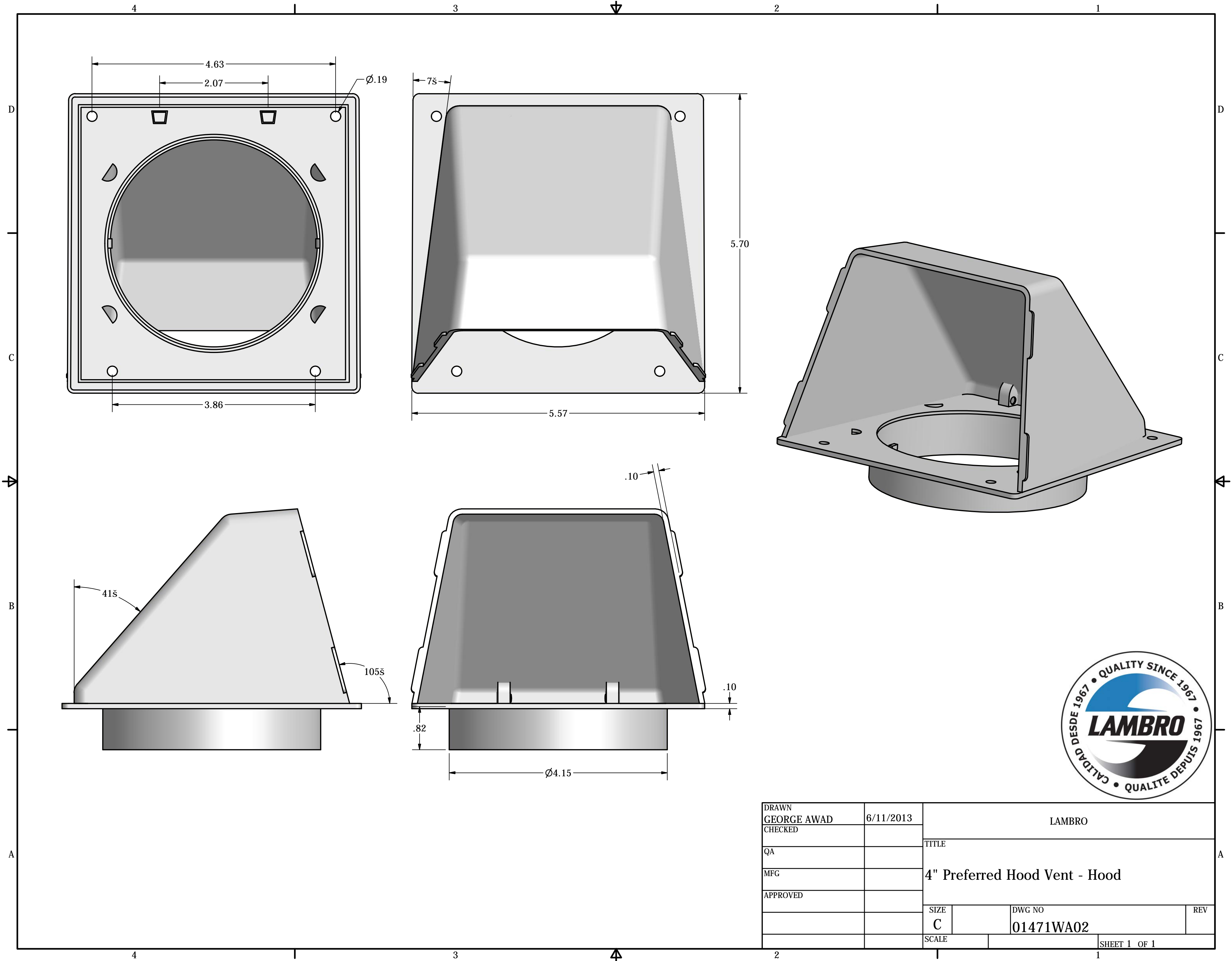


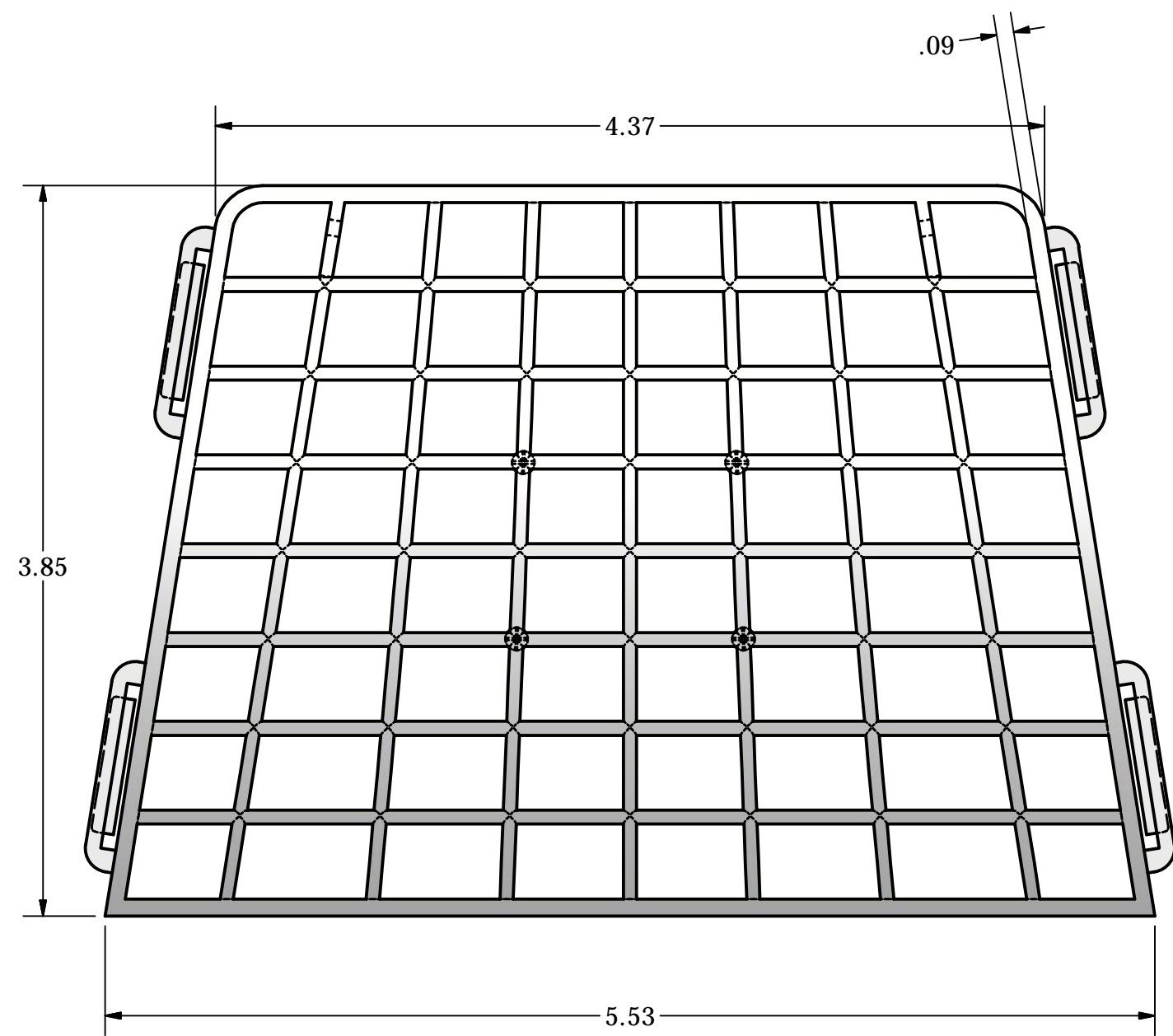
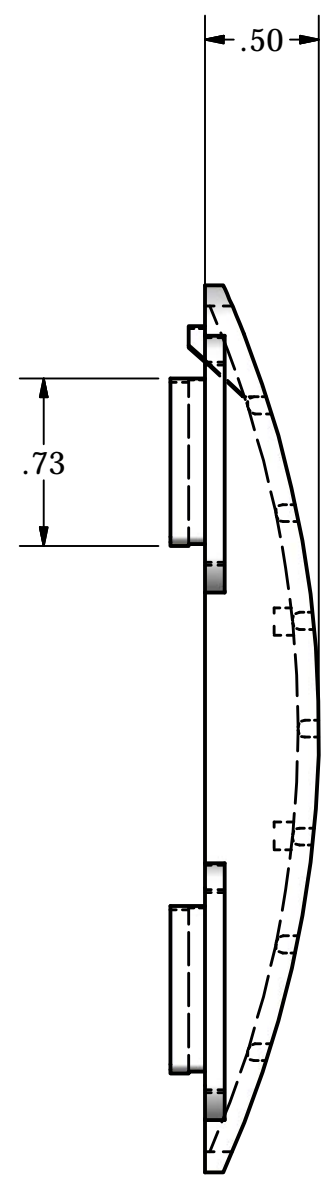
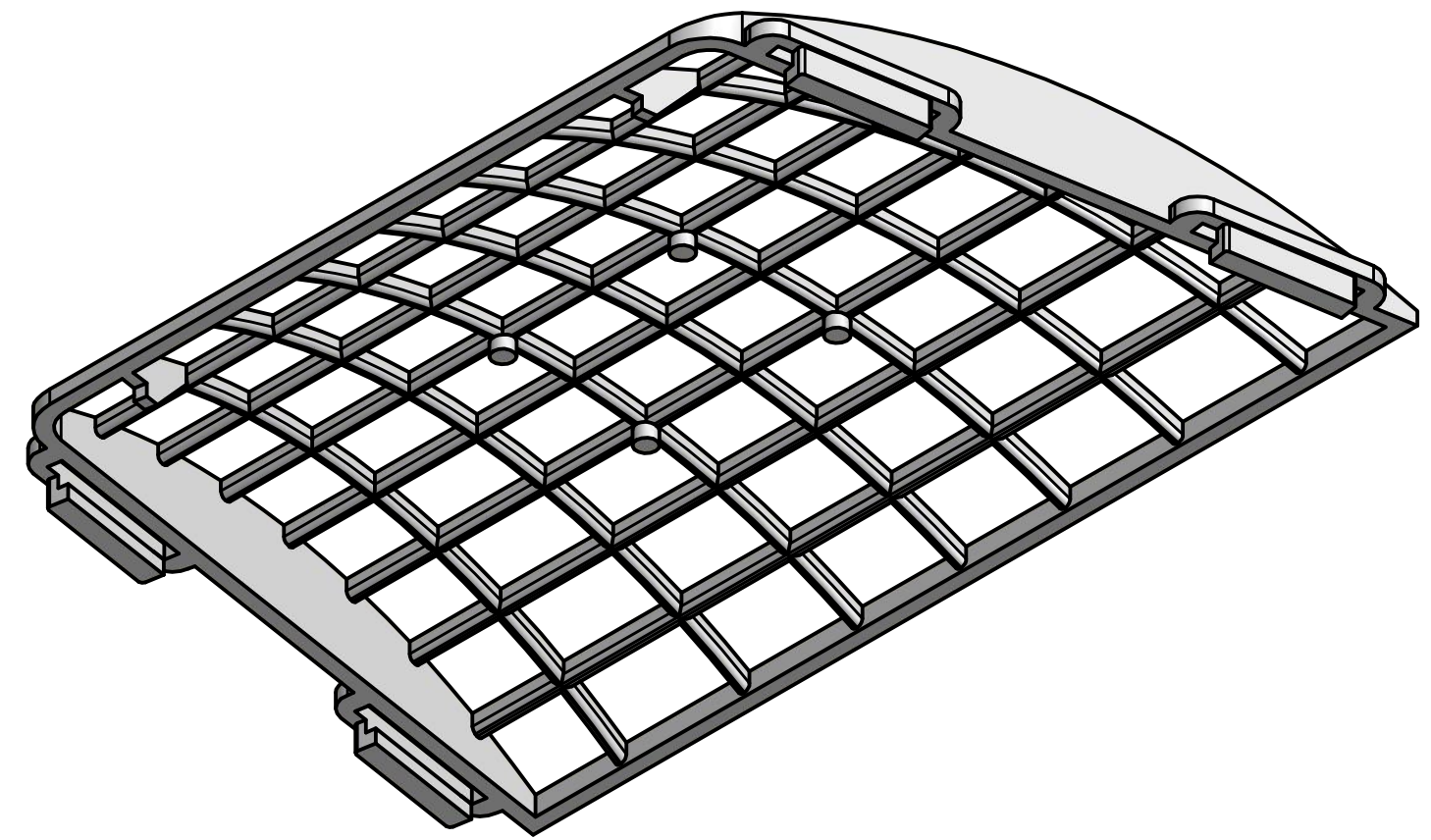
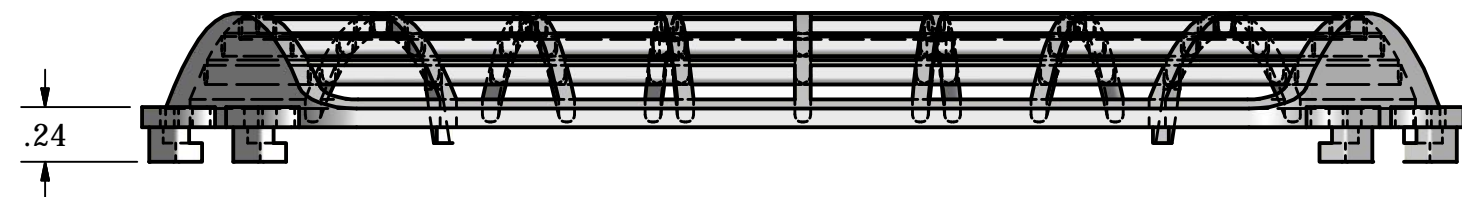
|                      |          |                   |                  |     |
|----------------------|----------|-------------------|------------------|-----|
| DRAWN<br>GEORGE AWAD | 6/2/2013 | LAMBRO            |                  |     |
| CHECKED              |          | TITLE             |                  |     |
| QA                   |          | Hood w/ Tail Pipe | Aluminum Gauge   |     |
| MFG                  |          |                   | Tail Pipe - .010 |     |
| APPROVED             |          | SIZE              | DWG NO           | REV |
|                      |          | C                 | ###              |     |
|                      |          | SCALE             | SHEET 1 OF 1     |     |



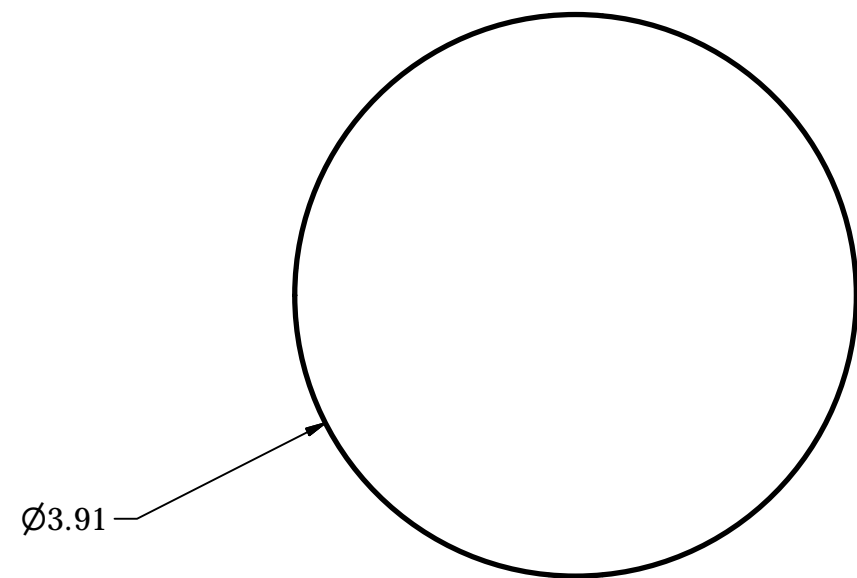
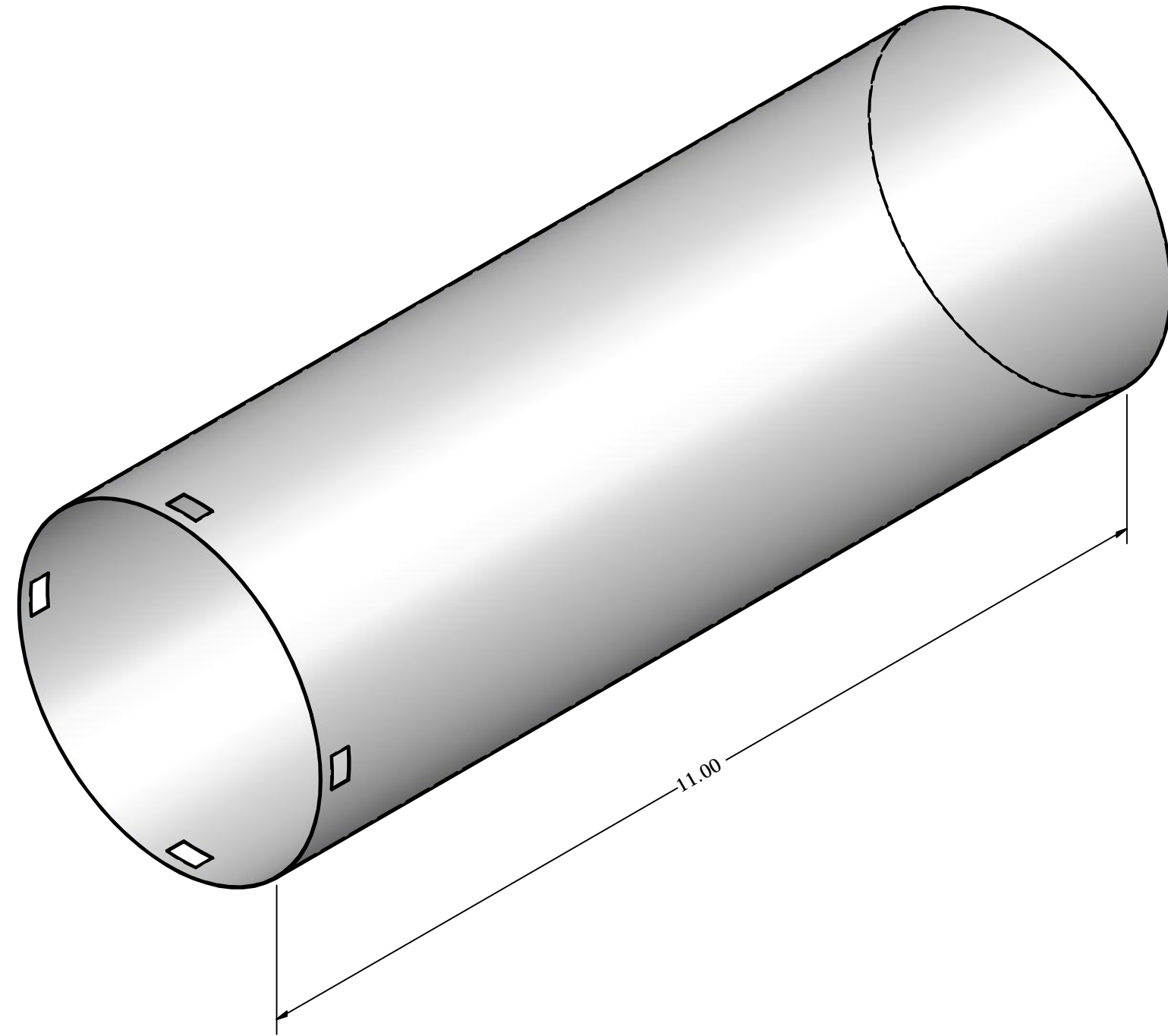
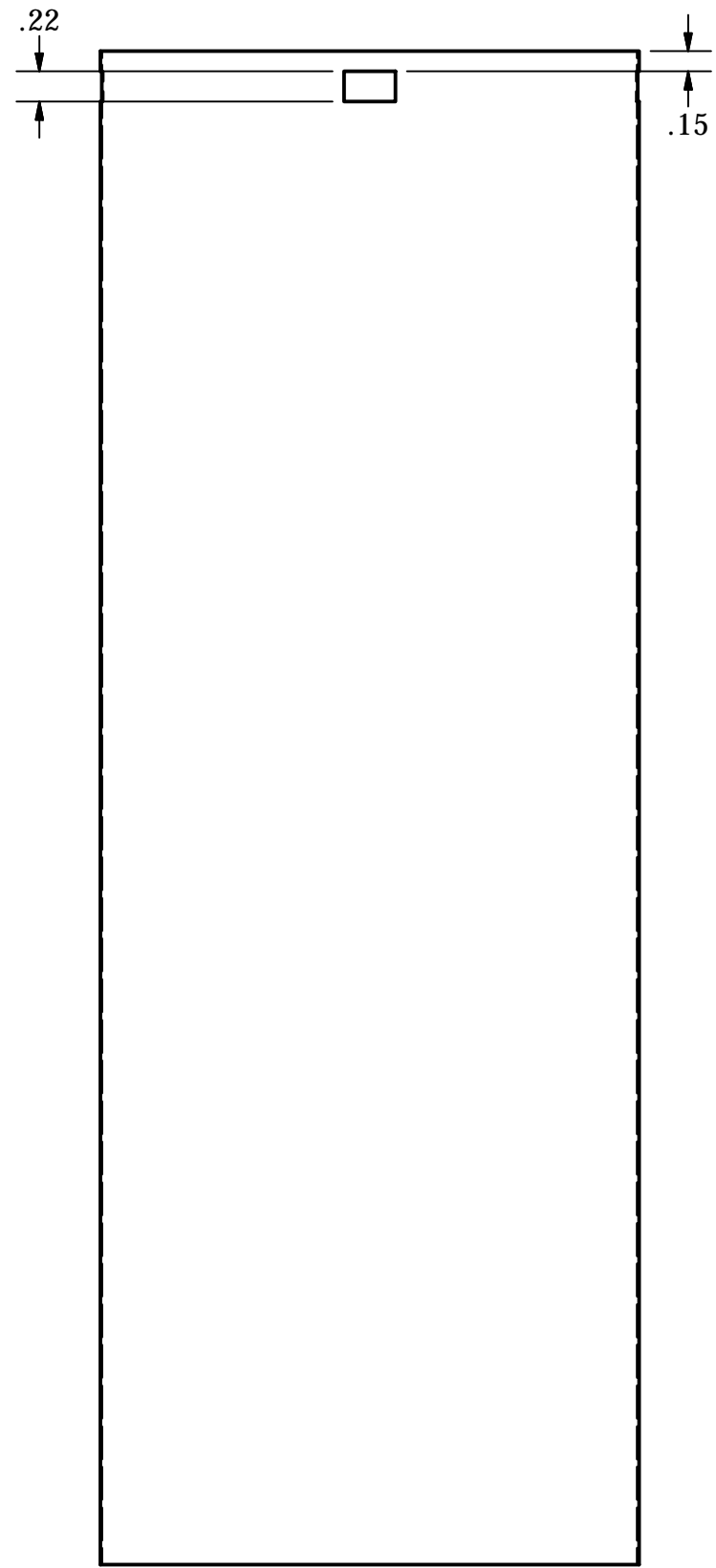
|                      |           |                               |              |     |
|----------------------|-----------|-------------------------------|--------------|-----|
| DRAWN<br>GEORGE AWAD | 6/11/2013 | LAMBRO                        |              |     |
| CHECKED              |           | TITLE                         |              |     |
| QA                   |           | 4" Preferred Hood Vent - Flap |              |     |
| MFG                  |           | SIZE                          | DWG NO       | REV |
| APPROVED             |           | C                             | 01471WA01    |     |
|                      |           | SCALE                         | SHEET 1 OF 1 |     |



|          |             |           |                               |              |     |
|----------|-------------|-----------|-------------------------------|--------------|-----|
| DRAWN    | GEORGE AWAD | 6/11/2013 | LAMBRO                        |              |     |
| CHECKED  |             |           | TITLE                         |              |     |
| QA       |             |           | 4" Preferred Hood Vent - Hood |              |     |
| MFG      |             |           | SIZE                          | DWG NO       | REV |
| APPROVED |             |           | C                             | 01471WA02    |     |
|          |             |           | SCALE                         | SHEET 1 OF 1 |     |



|                      |           |                                 |              |     |
|----------------------|-----------|---------------------------------|--------------|-----|
| DRAWN<br>GEORGE AWAD | 6/12/2013 | LAMBRO                          |              |     |
| CHECKED              |           | TITLE                           |              |     |
| QA                   |           | 4" Preferred Hood Vent - Screen |              |     |
| MFG                  |           | SIZE                            | DWG NO       | REV |
| APPROVED             |           | C                               | 01471WA03    |     |
|                      |           | SCALE                           | SHEET 1 OF 1 |     |



|                      |           |           |              |     |
|----------------------|-----------|-----------|--------------|-----|
| DRAWN<br>GEORGE AWAD | 5/24/2013 | LAMBRO    |              |     |
| CHECKED              |           | TITLE     |              |     |
| QA                   |           | TAIL PIPE |              |     |
| MFG                  |           | SIZE      | DWG NO       | REV |
| APPROVED             |           | C         | 001480A      |     |
|                      |           | SCALE     | SHEET 1 OF 1 |     |