

PROSCAN

MODEL NO. PRCD261

PORTABLE CD BOOMBOX WITH AM/FM RADIO

INSTRUCTION MANUAL



PLEASE READ BEFORE OPERATING THIS EQUIPMENT

PROSCAN™ IS A REGISTERED TRADEMARK OF TECHNICOLOR USA INC. AND USED UNDER LICENSE TO CURTIS INTERNATIONAL LTD.

Warnings and Precautions

TO PREVENT FIRE OR SHOCK HAZARDS, DO NOT EXPOSE THIS UNIT TO RAIN OR MOISTURE.



This symbol, located on back or bottom of the unit, is intended to alert the user to the presence of uninsulated "dangerous voltage" within the product's enclosure that may be of sufficient magnitude to constitute a risk of electric shock to persons.



This symbol, located on back or bottom of the unit, is intended to alert the user to the presence of important operating and maintenance (servicing) instructions in the literature accompanying the appliance.



This product utilizes a Class I laser to read Compact Discs. This laser Compact Disc Player is equipped with safety switches to avoid exposure when the CD door is open and the safety interlocks are defeated. Invisible laser radiation is present when the CD Player's lid is open and the system's interlock has failed or been defeated. It is very important that you avoid direct exposure to the laser beam at all times. Please do not attempt to defeat or bypass the safety switches.

CAUTION: TO PREVENT ELECTRIC SHOCK, MATCH WIDE BLADE OF PLUG TO WIDE SLOT, FULLY INSERT.

To reduce the risk of electric shock, do not remove cover (or back). There are no user-serviceable parts inside. Please refer any servicing to qualified service personnel.

WARNING: Changes or modifications to this unit not expressly approved by the party responsible for compliance could void the user's authority to operate the equipment.

Do not mix old and new batteries. Do not mix alkaline, standard (carbon-zinc), or rechargeable (ni-cad, ni-mh, etc) batteries.

NOTE: This equipment has been tested and found to comply with the limits for a Class B digital device, pursuant to Part 15 of the FCC Rules. These limits are designed to provide reasonable protection against harmful interference in a residential installation. This equipment generates, uses, and can radiate radio frequency energy and, if not installed and used in accordance with the instructions, may cause harmful interference to radio communications. However, there is no guarantee that interference will not occur in a particular installation. If this equipment does cause harmful interference to radio or television reception, which can be determined by turning the equipment off and on, the user is encouraged to try to correct the interference by one or more of the following measures:

- Reorient or relocate the receiving antenna.
- Increase the separation between the equipment and receiver.
- Connect the equipment into an outlet on a circuit different from that to which the receiver is connected.
- Consult the dealer or an experienced radio/TV technician for help.

For service assistance and product information, Please call: 1-800-968-9853. Pour obtenir assistance et information appelez: 1-800-968-9853. Curtis International Ltd. 7045 BECKETT DRIVE, UNIT 15, MISSISSAUGA, ON, L5S 2A3 www.curtisintl.com

Important Safety Instructions

1. **Read Instructions** - All the safety and operating instructions should be read before the product is operated.
2. **Retain Instructions** - The safety and operating instructions should be retained for future reference.
3. **Heed Warnings** - All warning on the product and in the operating instructions should be adhered to.
4. **Follow Instructions** - All operating and use instructions should be followed.
5. **Cleaning** - Unplug this product from the wall outlet before cleaning. Do not use liquid cleaners or aerosol cleaners. Clean only with a dry cloth.
6. **Attachments** - Do not use attachments not recommended by the product manufacturer as they may cause hazards.
7. **Water and Moisture** - Do not use this product near water - for example, near a bath tub, wash bowl, kitchen sink, or laundry tub; in a wet basement, or near a swimming pool, and the like. The apparatus shall not be exposed to dripping or splashing and that no objects filled with liquids, such as vases, shall be placed on apparatus.
8. **Accessories** - Do not place this product on an unstable cart, stand, tripod, bracket, or table. The product may fall, causing serious injury to a child or adult, and serious damage to the product. Use only with a cart, stand, tripod, bracket, or table recommended by the manufacturer, or sold with the product. Any mounting of the product should follow the manufacturer's instructions, and should use a mounting accessory recommended by the manufacturer.
9. A product and cart combination should be moved with care. Quick stops, excessive force, and uneven surfaces may cause the appliance and cart combination to overturn.
10. **Ventilation** - Slots and openings in the cabinet are provided for ventilation and to ensure reliable operation of the product and to protect it from overheating, and these openings must not be blocked or covered. The openings should never be blocked by placing the product on a bed, sofa, rug, or other similar surface. This product should not be placed in a built-in installation such as bookcase or rack unless proper ventilation is provided or the manufacturer's instruction have been adhered to.
11. **Power Sources** - This product should be operated only from the type of power source indicated on the marking label. If you are not sure of the type of power supply to your home, consult your product dealer or local power company. For products intended to operate from battery power, or other sources, refer to the operating instruction.
12. **Grounding or Polarization** - This product may be equipped with a polarized alternating-current line plug (a plug having one blade wider than the other). This plug will fit into the power outlet only one way. This is a safety feature. If you are unable to insert the plug fully into the outlet, try reversing the plug. If the plug should still fail to fit, contact your electrician to replace your obsolete outlet. Do not defeat the safety purpose of the polarized plug.
13. **Alternate Warnings** - This product is equipped with a three-wire grounding-type plug, a plug having a third (grounding) pin. This plug will only fit into a grounding-type power outlet. This is a safety feature. If you are unable to insert the plug into the outlet, contact your electrician to replace your obsolete outlet. Do not defeat the safety purpose of the grounding-type plug.
14. **Protective Attachment Plug** - The product is equipped with an attachment plug having overload protection. This is a safety feature. See Instruction Manual for replacement or resetting of protective device. If replacement of the plug is required, be sure the service technician has used a replacement plug specified by the manufacturer that has the same overload protection as the original plug.
15. **Outdoor Antenna Grounding** - If an outside antenna is connected to the receiver, be sure the antenna system is grounded so as to provide some protection against voltage surges and built-up static charges. Article #10 of the National Electrical Code, ANSI/NFPA 70, provides information with regard to proper grounding of the mast and supporting structure, grounding of the lead-in wire to an antenna-discharge unit, size of grounding conductors, location of antenna-discharge unit, connections to grounding electrodes, and requirements for the grounding electrode.
16. **Lightning** - For added protection for this product during a lightning storm, or when it is left unattended and unused for long periods of time, unplug it from the wall outlet and disconnect the antenna or cable system. This will prevent damage to the product due to lightning and power-line surges.
17. **Power Lines** - An outside antenna system should not be located in the vicinity of overhead power lines or other electric light or power circuits, or where it can fall into such power lines or circuits. When installing an outside antenna system, extreme care should be taken to stop from touching such power lines or circuits in contact with them might be fatal.
18. **Overloading** - Do not overload wall outlets, extension cords, or integral convenience receptacles as this can result in a risk of fire or electric shock.
19. **Object and Liquid Entry** - Never push objects into any opening and never touch openings as they may touch dangerous voltage points or short-out parts that could result in a fire or electric shock. Never spill liquid of any kind on the product.
20. **Servicing** - Do not attempt to service this product yourself as opening or removing covers may expose you to dangerous voltage or other hazards. Refer all servicing to qualified service personnel.
21. **Damage Requiring Service** - Unplug this product from the wall outlet and refer servicing to qualified service personnel under the following conditions:
 - a) When the power-supply cord or plug is damaged.
 - b) If liquid has been spilled, or objects have fallen into the product.
 - c) If the product has been exposed to rain or water.
 - d) If the product does not operate normally by following the operating instructions. Adjust only those controls that are covered by the operating instructions as an improper adjustment of other controls may result in damage and will often require extensive work by a qualified technician to restore the product to its normal operation.
 - e) If the product has been dropped or damaged in any way, and
 - f) When the product exhibits a distinct change in performance - this indicates a need for service.
22. **Replacement Parts** - When replacement parts are required, be sure the service technician has used replacement parts specified by the manufacturer or have the same characteristics as the original part. Unauthorized substitutions may result in fire, electric shock, or other hazards.
23. **Safety Check** - Upon completion of any service or repairs to this product, ask the service technician to perform safety checks to determine that the product is in proper operating condition.
24. **Wall or Ceiling Mounting** - The product should be mounted to a wall or ceiling only as recommended by the manufacturer.
25. **Heat** - The product should be situated away from heat sources such as radiators, heat registers, stoves, or other products (including amplifiers) that produce heat. Battery shall not be exposed to excessive heat such as sunshine, fire, or the like.
26. Main plug is used as disconnect device and it should remain readily operable during intended use. In order to disconnect the apparatus from the mains completely, the main plug should be disconnected from the main socket outlet completely.
27. Excessive sound pressure from carphones and headphones can cause hearing loss.

Features

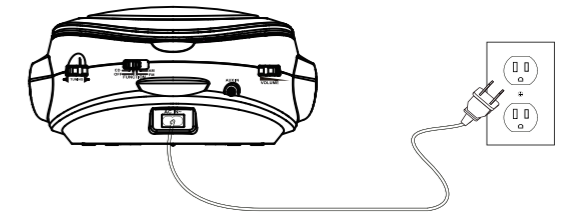
- CD player: CD, CD-R/RW*
- AM/FM radio
- Auxiliary input
- Programmable CD tracks
- 2-digit red LED
- Built-in speakers
- AC power: detachable AC cord
- CD player: requires 6 C batteries, not included

*MP3 or other non-CD format disc is not compatible

Powering the Unit

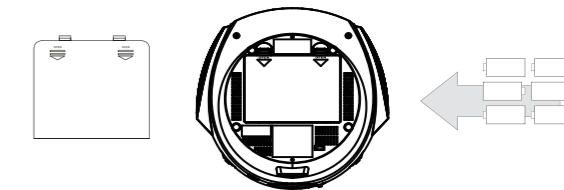
AC Power

Plug the detachable AC cord into a standard AC outlet (120V~60Hz)



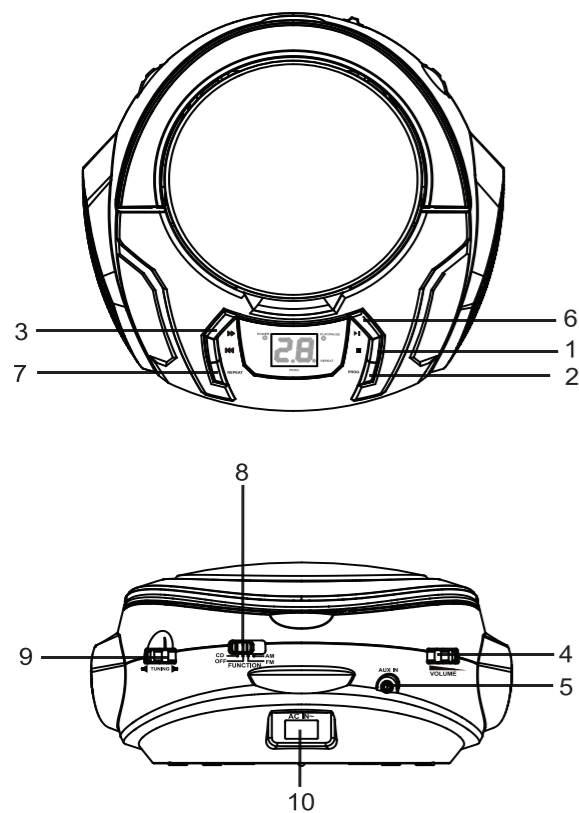
Battery Power

Requires 6 C batteries, not included.



4

Locations of Controls



5

Control Definitions

- 1. Stop Button**
Press the Stop Button to stop a CD during play.
- 2. Program Button**
Press the Program Button, in *CD mode*, to program up to 20 CD tracks.
- 3. Skip/Search Buttons**
Press the Skip/Search Buttons to skip between CD tracks.
Press and hold the Skip/Search Buttons to search through a single CD track.
- 4. Volume Dial**
Turn the Volume Dial to adjust the volume of the unit.
- 5. Auxiliary Input**
Use the Auxiliary Input to connect an external audio source (MP3 player) to the unit.
- 6. Play/Pause Button**
Press the Play/Pause Button to play or pause a loaded CD.
- 7. Repeat Button**
Press the Repeat Button once to repeat the correct CD track.
Press the Repeat Button twice to repeat the entire album.
- 8. Power Switch (CD, Off, FM, AM)**
Adjust the Power Switch to select *CD, Off, FM, or AM mode*.
- 9. Tuning Dial**
Turn the Tuning Dial to adjust the AM or FM radio station.
- 10. AC Power Input**
Use the AC Power Input to connect the unit to an AC power source.

6

Tuning the AM or FM Radio

Step 1: Adjust the **Power Switch** to *AM or FM mode*.

- *Both AM/FM antenna is built into the unit. Adjust the unit to improve reception.*

Step 2: Turn the **Tuning Dial** to the desired AM or FM station.

Note: This is analog tuning radio. The radio frequency is marked on the dial.

Playing a CD

Step 1: Open the CD door, and place a CD or CD-R/RW into the player.

Step 2: Adjust the **Power Switch** to *CD mode*.

Step 3: Press the **Play/Pause Button** to begin playing the loaded CD.

Programming a CD

Step 1: Open the CD door, and place a CD or CD-R/RW into the player.

Step 2: Adjust the **Power Switch** to *CD mode*.

Step 3: Press the **Program Button**.

Step 4: Press the **Skip/Search Buttons** to select the CD track to play.

Step 5: Press the **Program Button**.

Step 6: Repeat *Steps 4-5* to program up to 20 total CD tracks.

Using the Auxiliary Input

Audio Source	Required Connector
MP3 Player	mini-ponho 3.5mm Cable (not included)

Step 1: Connect a *mini-ponho 3.5mm Cable* (not included) to the **Auxiliary Input** on the unit and the audio output on an MP3 player.

Step 2: Adjust the **Power Switch** to *CD mode*.

- *Audio played through the connected MP3 player will now be heard through the unit.*

7

In the Box

- Detachable AC Cord
- Documentation

To make a warranty claim, please email support@curtisics.com or call 1-800-968-9853.

90 day Warranty

This product is warranted to be free from defects in material and workmanship for a period of ninety (90) days from the date of original purchase. During this period, your exclusive remedy is repair or replacement of this product or component found to be defective, at our option; however, you are responsible for all costs associated with returning the product to us. If the product or component is no longer available, we will replace with a similar one of equal or greater value. Prior to a replacement being sent, the product must be rendered inoperable or returned to us.

This warranty does *not* cover glass, filters, wear from normal use, use not in conformity with the printed directions, or damage to the product resulting from accident, alteration, abuse, or misuse. This warranty extends only to the original consumer purchaser or gift recipient. Keep the original sales receipt, as proof of purchase is required to make a warranty claim. This warranty is void if the product is used for other than single-family household use or subjected to any voltage and waveform other than as on the specified rating on the label (e.g., 120V~60Hz).

We exclude all claims for special, incidental, and consequential damages caused by breach of express or implied warranty. All liability is limited to the amount of the purchase price. **Every implied warranty, including any statutory warranty or condition of merchantability or fitness for a particular purpose, is disclaimed except to the extent prohibited by law, in which case such warranty or condition is limited to the duration of this written warranty.** This warranty gives you specific legal rights. You may have other legal rights that vary depending on where you live. Some states or provinces do not allow limitations on implied warranties or special, incidental, or consequential damages, so the foregoing limitations may not apply to you.

For faster service, locate the model, type, and serial numbers on your appliance.

ATTACH YOUR PROOF OF PURCHASE HERE, PROOF OF PURCHASE IS REQUIRED TO OBTAIN WARRANTY SERVICE.

Please have the following information available when you contact the Support Team:

- Name, address and telephone number.
- Model number and serial number.
- A clear, detailed description of the problem.
- Proof of purchase including dealer or retailer name, address and date of purchase.

PROSCAN

MODEL NO. PRCD261

Lecteur CD avec radio AM/FM

GUIDE D'UTILISATION



S'IL VOUS PLAÎT LIRE AVANT D'UTILISER CET ÉQUIPEMENT

PROSCAN™ EST UNE MARQUE DÉPOSÉE DE TECHNICOLOR USA INC. ET UTILISÉE SOUS LICENCE À CURTIS INTERNATIONAL LTD.

Avertissements et précautions

-  Les symboles de l'éclair et de la pointe de flèche dans un triangle permettent d'alerter l'utilisateur de la présence de "l'essai dangereux" non isolée à l'intérieur de l'appareil, d'une force telle qu'elle constitue un risque sérieux d'électrocution.
-  Le point d'exclamation à l'intérieur du triangle permet d'alerter l'utilisateur de la présence d'instructions d'opération et d'entretien importantes accompagnant le produit.
-  Cet appareil utilise un faisceau laser de classe 1 afin de lire les disques compacts. Ce lecteur de disque compact est doté d'un mécanisme de verrouillage sécuritaire afin d'éviter l'exposition aux faisceaux laser. Ne tentez pas de désactiver ce mécanisme sécuritaire. Un faisceau laser invisible est présent à l'intérieur du boîtier. Il est primordial de ne pas ouvrir la porte du lecteur CD. Ceci constitue une mesure de sécurité.

MISE EN GARDE : AFIN DE PRÉVENIR LES RISQUES D'ÉLECTROCUTION, APPRÊTEZ LA LAME LA PLUS LARGE AVEC LA FENTE LA PLUS LARGE DE LA PRISE DE COURANT ET INSÉREZ-LA À FOND.

Afin de réduire les risques d'électrocution, ne retirez pas le couvercle (ou l'arrière). Aucune pièce pouvant être retirée par l'utilisateur ne se trouve à l'intérieur. Veuillez confier l'entretien à un technicien qualifié.

AVERTISSEMENT : Les changements et les modifications effectuées à cet appareil non approuvés par le fabricant pourraient retirer le droit à son propriétaire de faire fonctionner l'appareil.

AVERTISSEMENT : Pour réduire les risques d'incendie ou d'électrocution, ne pas exposer à la pluie ou l'humidité.

MISE EN GARDE : Risque d'explosion si la pile est remplacée incorrectement. Remplacez uniquement avec des piles du même type ou l'équivalent.

Ne mélangez pas des anciennes et des nouvelles piles.

Ne mélangez pas des piles alcalines, standard (carbone de zinc) ou des piles rechargeables (nickel-cadmium, hydrure métallique de nickel, etc.).

REMARQUE : Cet appareil a été testé et s'avère conforme aux restrictions relatives aux équipements numériques de classe B, d'après l'article 15 des règlements du Conseil supérieur de l'audiovisuel américain (FCC). Ces restrictions ont été instaurées pour offrir une protection raisonnable contre les interférences nuisibles au sein d'une installation résidentielle. Cet appareil génère, utilise et peut émettre des fréquences radio et s'il n'est pas installé selon les instructions, peut nuire aux radiocommunications. Toutefois, rien ne garantit que des parasites ne surviendront pas dans une installation particulière. Si cet appareil cause des interférences nuisibles à la réception du téléviseur ou de la radio, ce que vous pouvez déterminer en éteignant et en fermant votre appareil, nous vous invitons à essayer l'une des mesures correctives suivantes :

- Réorientez l'antenne de réception installée sur l'appareil qui manifeste les parasites.
- Éteignez l'appareil du composant qui reçoit les ondes.
- Branchez l'appareil dans une prise de courant CA différente de celle du composant qui reçoit les ondes.
- Au besoin, consultez votre marchand électronique ou un technicien spécialisé dans le service des radios/téléviseurs pour des suggestions supplémentaires.

For service assistance and product information, Please call: 1-800-968-9853.

Pour obtenir assistance et information appelez: 1-800-968-9853.

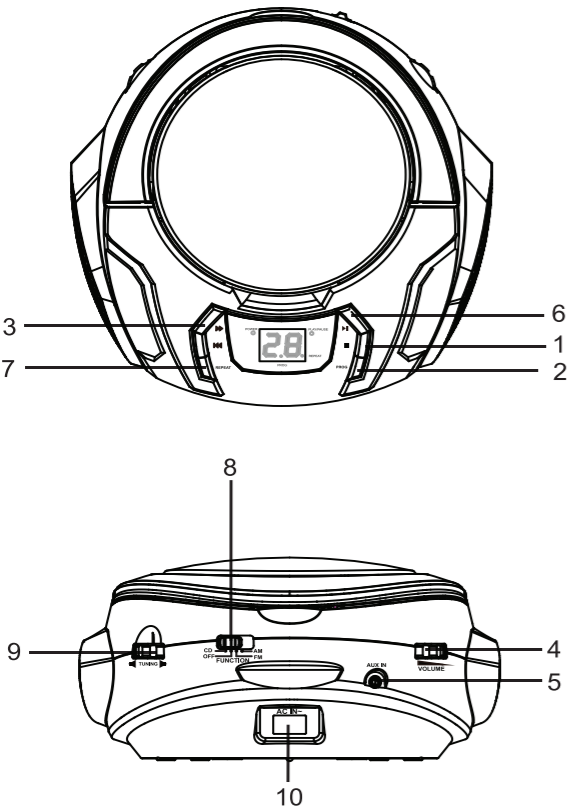
Curtis International Ltd.
7045 BECKETT DRIVE, UNIT 15,
MISSISSAUGA, ON, L5S 2A3
www.curtisint.com

1. Bouton Stop
Appuyez sur le bouton Stop pour arrêter pendant la lecture d'un CD.
2. Bouton Program
Appuyez sur le bouton Program en mode CD pour programmer jusqu'à 20 pistes. La fonction Program peut uniquement être activée lorsqu'en mode STOP.
3. Boutons Skip/Search
Appuyez sur Skip/Search Buttons pour commuter entre les pistes d'un CD. Maintenez enfoncé Skip/Search pour rechercher à l'intérieur d'un CD.
4. Commande de volume
Tournez la commande de volume pour régler le niveau de volume.
5. Entrée auxiliaire
Utilisez l'entrée auxiliaire pour brancher une source audio externe (Lecteur MP3) à l'unité.
6. Bouton Play/Pause
Lorsque vous insérez un CD, le nombre de pistes sera affiché. Appuyez sur Play/Pause pour lire le CD.
7. Bouton Repeat
Lorsque vous appuyez une fois sur le bouton Repeat et que le voyant à DEL Repeat clignote, la chanson sera répétée. Lorsque vous appuyez à nouveau sur le bouton Repeat, le voyant à DEL Repeat sera en feu fixe, un CD entier sera répété. Appuyez une fois de plus sur le bouton REpeat pour annuler la répétition et le voyant à DEL Repeat s'éteindra.
8. Commutateur d'alimentation (CD, Off, FM, AM)
Réglez le commutateur d'alimentation au mode CD, Off, FM, ou AM.
9. Commande de syntonisation
Tournez afin de syntoniser la station AM ou FM désirée.
10. Alimentation CA
Utilisez l'entrée CA pour brancher l'unité à une source de courant CA.

Mesures de sécurité importantes

1. Lisez les instructions - Vous devez prendre connaissance de toutes les instructions relatives à la sécurité et les respecter avant l'utilisation de l'appareil.
2. Conservez les instructions - Pour toute référence ultérieure, conservez les instructions relatives à la sécurité et les instructions de produit en lieu sûr et facilement accessible.
3. Observez les mises en garde - Vous devez suivre les avertissements de ce guide d'utilisation à la lettre.
4. Suivez les instructions - Suivez toutes les instructions et les pictogrammes de sécurité et l'utilisation de l'appareil.
5. Les avertissements - Indiquez le mode d'alimentation de la pile et des dispositifs de sécurité de l'appareil. Ne laissez pas de enfants se tenir devant l'appareil. Ne laissez pas de enfants se tenir devant l'appareil. Ne laissez pas de enfants se tenir devant l'appareil. Ne laissez pas de enfants se tenir devant l'appareil. Ne laissez pas de enfants se tenir devant l'appareil.
6. Ne touchez pas les parties internes de l'appareil pendant qu'il est allumé.
7. Ne touchez pas les parties internes de l'appareil pendant qu'il est allumé.
8. Ne touchez pas les parties internes de l'appareil pendant qu'il est allumé.
9. Ne touchez pas les parties internes de l'appareil pendant qu'il est allumé.
10. Ne touchez pas les parties internes de l'appareil pendant qu'il est allumé.
11. Ne touchez pas les parties internes de l'appareil pendant qu'il est allumé.
12. Ne touchez pas les parties internes de l'appareil pendant qu'il est allumé.
13. Protection du cordon d'alimentation - Vous devez éviter de laisser le cordon d'alimentation être piégé ou pincé, car cela pourrait entraîner un incendie ou une électrocution.
14. Précaution de protection - Cet appareil comporte une prise accessoire de protection contre les surcharges. Ceci est un moyen de sécurité. Consultez le guide d'utilisation et les instructions de sécurité de ce produit pour plus de détails.
15. Mise à la terre de l'appareil - Cet appareil est conçu pour être utilisé avec une prise de courant à trois fils et un cordon d'alimentation à trois fils. Ne tentez pas de modifier le cordon d'alimentation ou la prise de courant.
16. Ne touchez pas les parties internes de l'appareil pendant qu'il est allumé.
17. Ne touchez pas les parties internes de l'appareil pendant qu'il est allumé.
18. Ne touchez pas les parties internes de l'appareil pendant qu'il est allumé.
19. Ne touchez pas les parties internes de l'appareil pendant qu'il est allumé.
20. Ne touchez pas les parties internes de l'appareil pendant qu'il est allumé.
21. Ne touchez pas les parties internes de l'appareil pendant qu'il est allumé.
22. Précaution de choc - Lorsque vous avez besoin de pièces de rechange, assurez-vous que la technique de service de pièces appropriée par le fabricant ou qui répondent les mêmes spécifications que les pièces d'origine. Toute mauvaise substitution pourrait occasionner des incendies ou des électrocutions ou d'autres dommages.
23. Vérification préventive - Lorsqu'une réparation ou un entretien est effectué sur l'appareil, demandez au technicien de faire des vérifications préventives pour vous assurer que l'appareil est en bon état de marche.
24. Fixation au plafond ou sur un mur - Suivez les recommandations du fabricant si vous désirez installer cet appareil sur un mur ou au plafond.
25. Clavier - Évitez toujours cet appareil des sources de chaleur telles que plâtres électriques, radiateurs, ou autres (même les unités chauffantes). Ne exposez pas ce produit à des sources de chaleur excessive, telles que le soleil, le feu ou d'autres conditions similaires.
26. La fiche secteur sera le dispositif de débranchement et devra demeurer facilement accessible pendant que l'appareil est utilisé. Pour être en mesure de débrancher complètement l'appareil du secteur, la fiche secteur devrait être débranchée de la prise de courant.
27. Une protection appropriée contre les incendies et du coup de foudre peut endommager sérieusement l'équipement et même causer la perte de l'habitat.
28. Afin de prévenir les risques d'incendie et d'électrocution, ne touchez pas cette fiche à une surface métallique ou conductrice sans avoir pris, au moins d'isoler les broches jusqu'à leur état d'origine sans exposition au soleil.
29. À des fins de sécurité, ce symbole indique qu'une composante spécifique devra être remplacée uniquement par la pièce mentionnée dans cette documentation.
30. Ce symbole indique que ce produit comporte une double isolation.
31. La mise en garde est située sous l'appareil.
32. Les renseignements relatifs à la sécurité de cet appareil sont situés sous l'appareil.
33. Ne touchez pas les parties internes de l'appareil pendant qu'il est allumé.
34. Ne touchez pas les parties internes de l'appareil pendant qu'il est allumé.
35. Ne touchez pas les parties internes de l'appareil pendant qu'il est allumé.
36. Ne touchez pas les parties internes de l'appareil pendant qu'il est allumé.
37. Ne touchez pas les parties internes de l'appareil pendant qu'il est allumé.
38. Ne touchez pas les parties internes de l'appareil pendant qu'il est allumé.
39. Ne touchez pas les parties internes de l'appareil pendant qu'il est allumé.
40. Ne touchez pas les parties internes de l'appareil pendant qu'il est allumé.
41. Ne touchez pas les parties internes de l'appareil pendant qu'il est allumé.
42. Ne touchez pas les parties internes de l'appareil pendant qu'il est allumé.
43. Ne touchez pas les parties internes de l'appareil pendant qu'il est allumé.
44. Ne touchez pas les parties internes de l'appareil pendant qu'il est allumé.
45. Ne touchez pas les parties internes de l'appareil pendant qu'il est allumé.
46. Ne touchez pas les parties internes de l'appareil pendant qu'il est allumé.
47. Ne touchez pas les parties internes de l'appareil pendant qu'il est allumé.
48. Ne touchez pas les parties internes de l'appareil pendant qu'il est allumé.
49. Ne touchez pas les parties internes de l'appareil pendant qu'il est allumé.
50. Ne touchez pas les parties internes de l'appareil pendant qu'il est allumé.
51. Ne touchez pas les parties internes de l'appareil pendant qu'il est allumé.
52. Ne touchez pas les parties internes de l'appareil pendant qu'il est allumé.
53. Ne touchez pas les parties internes de l'appareil pendant qu'il est allumé.
54. Ne touchez pas les parties internes de l'appareil pendant qu'il est allumé.
55. Ne touchez pas les parties internes de l'appareil pendant qu'il est allumé.
56. Ne touchez pas les parties internes de l'appareil pendant qu'il est allumé.
57. Ne touchez pas les parties internes de l'appareil pendant qu'il est allumé.
58. Ne touchez pas les parties internes de l'appareil pendant qu'il est allumé.
59. Ne touchez pas les parties internes de l'appareil pendant qu'il est allumé.
60. Ne touchez pas les parties internes de l'appareil pendant qu'il est allumé.
61. Ne touchez pas les parties internes de l'appareil pendant qu'il est allumé.
62. Ne touchez pas les parties internes de l'appareil pendant qu'il est allumé.
63. Ne touchez pas les parties internes de l'appareil pendant qu'il est allumé.
64. Ne touchez pas les parties internes de l'appareil pendant qu'il est allumé.
65. Ne touchez pas les parties internes de l'appareil pendant qu'il est allumé.
66. Ne touchez pas les parties internes de l'appareil pendant qu'il est allumé.
67. Ne touchez pas les parties internes de l'appareil pendant qu'il est allumé.
68. Ne touchez pas les parties internes de l'appareil pendant qu'il est allumé.
69. Ne touchez pas les parties internes de l'appareil pendant qu'il est allumé.
70. Ne touchez pas les parties internes de l'appareil pendant qu'il est allumé.
71. Ne touchez pas les parties internes de l'appareil pendant qu'il est allumé.
72. Ne touchez pas les parties internes de l'appareil pendant qu'il est allumé.
73. Ne touchez pas les parties internes de l'appareil pendant qu'il est allumé.
74. Ne touchez pas les parties internes de l'appareil pendant qu'il est allumé.
75. Ne touchez pas les parties internes de l'appareil pendant qu'il est allumé.
76. Ne touchez pas les parties internes de l'appareil pendant qu'il est allumé.
77. Ne touchez pas les parties internes de l'appareil pendant qu'il est allumé.
78. Ne touchez pas les parties internes de l'appareil pendant qu'il est allumé.
79. Ne touchez pas les parties internes de l'appareil pendant qu'il est allumé.
80. Ne touchez pas les parties internes de l'appareil pendant qu'il est allumé.
81. Ne touchez pas les parties internes de l'appareil pendant qu'il est allumé.
82. Ne touchez pas les parties internes de l'appareil pendant qu'il est allumé.
83. Ne touchez pas les parties internes de l'appareil pendant qu'il est allumé.
84. Ne touchez pas les parties internes de l'appareil pendant qu'il est allumé.
85. Ne touchez pas les parties internes de l'appareil pendant qu'il est allumé.
86. Ne touchez pas les parties internes de l'appareil pendant qu'il est allumé.
87. Ne touchez pas les parties internes de l'appareil pendant qu'il est allumé.
88. Ne touchez pas les parties internes de l'appareil pendant qu'il est allumé.
89. Ne touchez pas les parties internes de l'appareil pendant qu'il est allumé.
90. Ne touchez pas les parties internes de l'appareil pendant qu'il est allumé.
91. Ne touchez pas les parties internes de l'appareil pendant qu'il est allumé.
92. Ne touchez pas les parties internes de l'appareil pendant qu'il est allumé.
93. Ne touchez pas les parties internes de l'appareil pendant qu'il est allumé.
94. Ne touchez pas les parties internes de l'appareil pendant qu'il est allumé.
95. Ne touchez pas les parties internes de l'appareil pendant qu'il est allumé.
96. Ne touchez pas les parties internes de l'appareil pendant qu'il est allumé.
97. Ne touchez pas les parties internes de l'appareil pendant qu'il est allumé.
98. Ne touchez pas les parties internes de l'appareil pendant qu'il est allumé.
99. Ne touchez pas les parties internes de l'appareil pendant qu'il est allumé.
100. Ne touchez pas les parties internes de l'appareil pendant qu'il est allumé.

Emplacement des commandes



Syntonisation de la radio AM ou FM Radio

Étape 1 : Réglez le commutateur d'alimentation au mode AM ou FM.

- Antenne AM / FM est intégrée dans l'unité. Réglez l'appareil pour améliorer la réception.

Étape 2 : Syntonisez la station AM ou FM désirée.

Remarque : il s'agit d'une radio à syntonisation analogique. La fréquence radio est indiquée sur le cadran.

Lecture d'un CD

Étape 1 : Ouvrez le compartiment à CD, insérez un CD ou CD-R/RW dans le lecteur.

Étape 2 : Réglez le commutateur d'alimentation à la position CD.

Étape 3 : Appuyez sur Play/Pause pour débuter la lecture du CD.

Programmation d'un CD

Étape 1 : Ouvrez le compartiment à CD, insérez un CD ou CD-R/RW dans le lecteur.

Étape 2 : Réglez le commutateur d'alimentation à la position CD.

Étape 3 : Appuyez sur le bouton Program.

Étape 4 : Appuyez sur Skip/Search pour sélectionner une piste du CD.

Étape 5 : Appuyez sur le bouton Program.

Étape 6 : Répétez les étapes 4-5 pour programmer un total de 20 pistes.

Utilisation de l'entrée auxiliaire

Source audio	Connecteur nécessaire
Lecteur MP3	Câble mini-phonos de 3,5 mm (non inclus)

Étape 1 : Branchez le câble mini-phonos de 3,5 mm (non inclus) dans la prise d'entrée auxiliaire de l'unité et à la prise de sortie audio du lecteur MP3.

Étape 2 : Réglez le commutateur d'alimentation à la position CD.

- Le son joué sur le lecteur MP3 branché ne sera pas entendu sur l'unité.

Caractéristiques

- Lecteur CD : CD, CD-R/RW *
- Radio AM/FM
- Entrée auxiliaire
- Pistes programmables du CD
- Voyant à DEL à 2 chiffres
- Haut-parleurs intégrés
- Adaptateur CA : Cordon CA amovible

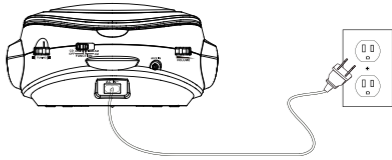
• Alimentation CC : Nécessite 6 piles de type "C", non incluses

* Les disques au format MP3 ou autre format non CD ne sont pas compatibles

Mise en fonction

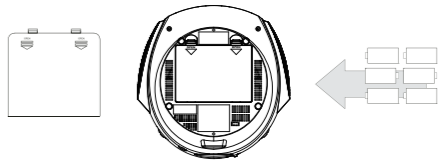
Alimentation CA

Branchez le cordon CA détachable à une prise de courant CA standard (120V~60Hz)



Alimentation sur piles

Nécessite 6 piles "C", non incluses.



Pour faire une demande de garantie, veuillez envoyer un courriel électronique à support@curtiscs.com ou appeler le 1-800-968-9853.

90 jours de garantie

Ce produit est garanti contre tout défaut de matériel et de fabrication pendant une période de quatre-vingt-dix (90) jours à compter de la date d'achat d'origine. Pendant cette période, votre seul recours est la réparation ou le remplacement de ce produit ou composant jugé défectueux, à notre choix. Cependant, vous êtes responsable de tous les coûts associés au retour du produit. Si le produit ou le composant n'est plus disponible, nous le remplacerons par un produit similaire de valeur égale ou supérieure. Avant l'envoi d'un produit de remplacement, le produit doit être rendu inutilisable ou nous être renvoyé.

Cette garantie ne couvre pas le verre, les filtres, l'usure normale, une utilisation non conforme aux instructions imprimées, ni les dommages matériels résultant d'un accident, d'une altération, d'une utilisation abusive ou abusive. Cette garantie s'applique uniquement à l'acheteur initial ou au destinataire du cadeau. Conservez le reçu de vente original, car une preuve d'achat est nécessaire pour faire une réclamation de garantie. Cette garantie est annulée si le produit est utilisé pour un usage autre que domestique ou s'il est soumis à une tension ou une forme d'onde autre que celle indiquée sur l'étiquette (par exemple, 120V - 60Hz).

Nous excluons toute réclamation pour des dommages spéciaux, accessoires et consécutifs causés par une violation de la garantie explicite ou implicite. Toute responsabilité est limitée au montant du prix d'achat. Toute garantie implicite, y compris toute garantie légale ou condition de qualité marchande ou d'adéquation à un usage particulier, est refusée sauf dans la mesure où la loi l'interdit, auquel cas cette garantie ou condition est limitée à la durée de cette garantie écrite. Cette garantie vous confère des droits légaux spécifique. Vous pouvez avoir d'autres droits légaux qui varient selon votre lieu de résidence. Certains états ou provinces n'autorisent pas les limitations de garanties implicites ou de dommages spéciaux, accessoires ou indirects, les limitations ci-dessus peuvent ne pas vous concerner.

Pour un service plus rapide, trouver le modèle, le type et les numéros de série sur votre appareil.

JOIGNEZ VOTRE PREUVE D'ACHAT ICI, UNE PREUVE D'ACHAT EST NÉCESSAIRE POUR OBTENIR UN SERVICE DE GARANTIE.

Veuillez avoir l'information suivantes lorsque vous contactez l'équipe d'assistance :

- Nom, adresse et numéro de téléphone.
- Numéro de modèle et numéro de série.
- Une description claire et détaillée du problème.
- Preuve d'achat comprenant le nom, l'adresse et la date d'achat du revendeur ou du détaillant.