

15" Portable Wireless Speaker Sound Bar

User's Guide for Model ISB150 v2447-01



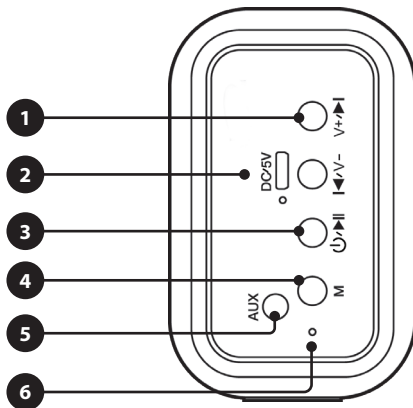
Features

- 15" length
- Bluetooth wireless 5.0: range 33 ft.
- Can be used as a True Wireless Stereo system
- Full range speakers
- Built-in microphone
- Voice prompts
- Digital volume control
- Built-in rechargeable battery: approximately 10 hrs playtime at 50% volume
- Micro-USB port for battery recharge

Includes

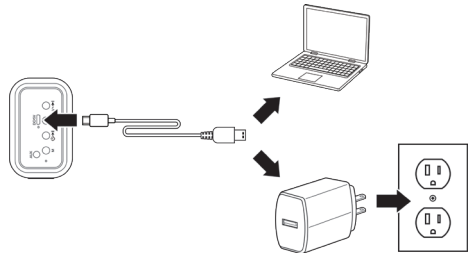
- 3.5mm audio cable
- Micro-USB to USB charging cable

Controls



1. **Volume/Skip** : Short press to adjust the volume level. Press and hold to skip audio tracks (BLUETOOTH).
2. **DC Power Input**: Use to charge the internal battery and power the speaker.
3. **Power/Play/Pause**: Press and hold to power ON or OFF. Press to play or pause tracks (BLUETOOTH). Quickly press the button 2 times to enter to Pairing Mode.
4. **M**: Press to change source modes to Bluetooth or Aux.
5. **Aux In (3.5mm Audio Input)**
6. **Indicator LED**

Battery Charging



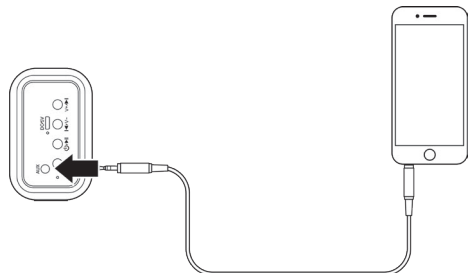
To charge the internal battery, plug the USB charging cable into the DC Power Input on the speaker and a powered on computer or USB power adapter (not included) and standard power outlet. Charging time is approximately 3-4 hours. Battery life is approximately 10 hours at 50% volume.

When the battery is low a voice will announce "Low Battery," then the unit will automatically power OFF.

While the unit is charging it will display a solid red light. When the battery is fully charged the light will turn off.

Aux In

Requires a 3.5mm audio cable (not included).



1. Connect a 3.5mm audio cable to the **Aux In** on the unit and the **audio output/headphone jack** on an audio device.
2. Press **Source** to switch to **Aux Mode**.
3. Use the controls on the connected device to select and play audio. Be sure the volume on your connected device is audible when you begin playing.

Pairing & Playing Bluetooth Audio

1. When first powered on, the speaker defaults to Bluetooth Mode and is ready to pair automatically. When pairing, remain within 3 feet of the Bluetooth device.
2. Using the controls on your Bluetooth device, select **ISB150** in the Bluetooth Settings to pair. If need be, refer to the user's manual for your specific device for more information.
3. When successfully paired, a voice will announce, "Bluetooth is connected." Your Bluetooth device will now be heard through the speaker.
4. Use the controls on the connected Bluetooth device to select and play audio. Use the speaker controls or the connected Bluetooth device to play, pause, and adjust the volume level.
5. After initial pairing, the speaker will automatically connect to the last Bluetooth device used whenever it is in Bluetooth Mode. **Note:** If your device should become unpaired or you find it is unable to connect, quickly press the **▶||** button 2 times to enter to Pairing Mode. A voice will announce, "Bluetooth is connecting," and you can connect to the speaker manually.

True Wireless Stereo

If you have another ISB150 speaker, you can pair and play the two speakers together for a surround sound effect, or have two speakers playing in different rooms.

- Press and hold the **M** button on both speakers to enter Truly Wireless mode and pair them together.

Speakerphone

1. To accept a call, press the **▶||** button, or use the controls on the connected phone.
2. To end a call, press the **▶||** button, or use the controls on the connected phone.

Previously Connected Devices

- To manually pair to another device, press the **Function button** quickly two times. The speaker will enter pairing mode and can connect to a new device.
- The speaker can remember multiple Bluetooth devices and will always try to re-connect to the last device used.
- To re-connect to a different device, turn off Bluetooth on unwanted devices, then access the Bluetooth settings menu on the device you wish to use and select **ISB150**.

Troubleshooting

If the speaker should become unpaired or will not connect normally, follow these steps in your device's Bluetooth Settings Menu.

1. Delete the speaker ("Forget This Device").
2. Turn Bluetooth OFF then ON again, and repeat the **Pairing & Playing Bluetooth Audio** steps.

Customer Support

Customer Service: 1-888-999-4215 | **Email Support:** prodinfo@dpiinc.com | **Email Parts:** partsinfo@dpiinc.com

For Warranty Information and the most up-to-date version of this User's Guide, go to www.iLiveElectronics.com

To download this User's Guide in English, Spanish, or French, or to get answers to frequently asked questions, visit the support section at: www.iLiveElectronics.com

Para descargar este Manual del Usuario en inglés, español y francés, o para obtener respuestas a preguntas frecuentes, visite la sección de apoyo en: www.iLiveElectronics.com

Pour télécharger ce guide de l'utilisateur en anglais, espagnol ou français, ou pour obtenir des réponses à des questions fréquemment posées, consultez la rubrique d'assistance sur: www.iLiveElectronics.com



Copyright © 2019 Digital Products International (DPI, Inc.) All other trademarks appearing herein are the property of their respective owners. Specifications are subject to change without notice.

FCC Warnings

WARNING: Changes or modifications to this unit not expressly approved by the party responsible for compliance could void the user's authority to operate the equipment.

NOTE: This equipment has been tested and found to comply with the limits for a Class B digital device, pursuant to Part 15 of the FCC Rules. These limits are designed to provide reasonable protection against harmful interference in a residential installation. This equipment generates, uses, and can radiate radio frequency energy and, if not installed and used in accordance with the instructions, may cause harmful interference to radio communications. However, there is no guarantee that interference will not occur in a particular installation. If this equipment does cause harmful interference to radio or television reception, which can be determined by turning the equipment off and on, the user is encouraged to try to correct the interference by one or more of the following measures:

- Reorient or relocate the receiving antenna.
- Increase the separation between the equipment and receiver.
- Connect the equipment into an outlet on a circuit different from that to which the receiver is connected.
- Consult the dealer or an experienced radio/TV technician for help.

Additional Warnings

- **WARNING:** To prevent fire or shock hazards, do not expose this unit to rain or moisture.
- **WARNING :** Where the mains plug or appliance coupler is used as the disconnect device, such disconnect device shall remain readily operable.
- Lithium batteries, like all rechargeable batteries, are recyclable and should be recycled or disposed of according to state and local guidelines. They should never be disposed of in normal household waste, and they should never be incinerated, as they might explode. Contact your local government for disposal or recycling practices in your area.



WARNING: This product can expose you to chemicals including lead, which is known to the State of California to cause cancer and birth defects or other reproductive harm. For more information go to www.P65Warnings.ca.gov. This product meets and complies with all Federal regulations.