



Solar Post Cap (2-Pack)

Model No. ELI1243G

INSTALLATION INSTRUCTIONS

PLEASE READ CAREFULLY AND SAVE THESE INSTRUCTIONS, AS YOU MAY NEED THEM AT A LATER DATE.

⚠️ IMPORTANT SAFETY OPERATING INSTRUCTIONS

1. Please read all warning and instruction labels which are included in the box and fixture to avoid personal injury, property damage caused by fire, cuts, bruises, death and other dangers.
2. Please follow these general precautions before installing, maintaining, or fixing

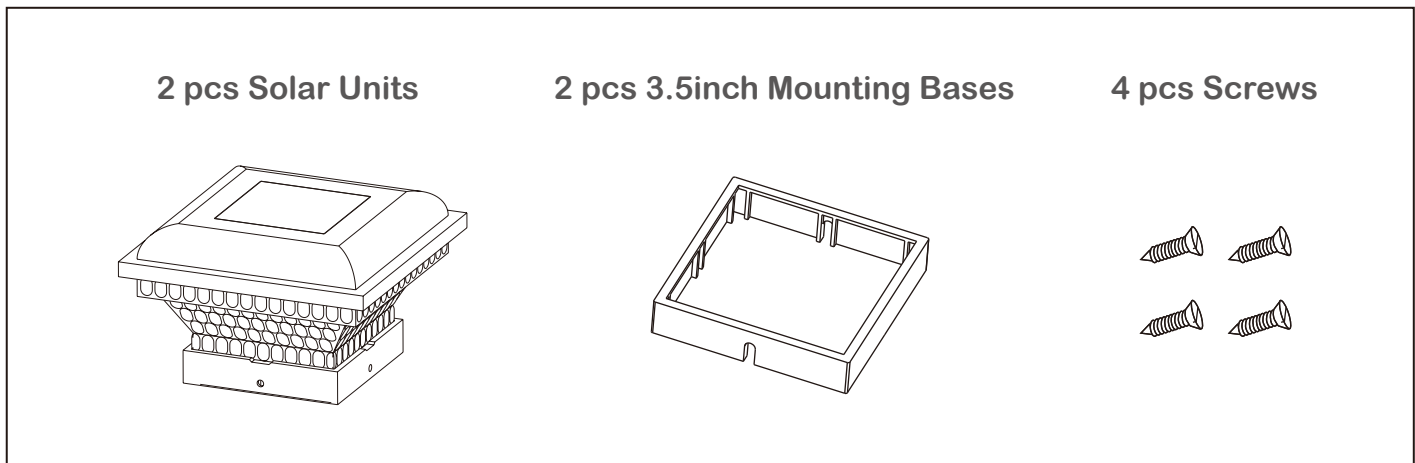
⚠️ WARNING

1. The packing contains small parts that could be swallowed by children
2. Keep the packaging material away from children and pets
3. The solar light is not a toy
4. We do not take responsibility if the instruction manual is not followed correctly or if the product is handled improperly resulting in damage to person or property

PRECAUTION

1. It is important to select an outdoor location with full, direct sunlight where the solar panel can receive at least 8 hours of sunlight each day.
2. It is important to avoid placing the solar light by light sources, such as street lights or porch lights, which may cause the solar light to turn off automatically.
3. To avoid explosion and corrosion, please keep the solar light away from fire and humid environment
4. No striking to avoid any damages to solar cell

REF. PARTS



PARAMETER:

1. Dimension: 6.61 inch x 6.61 inch x 4.23 inch
2. Light Source: 1pc warm white LED
3. Brightness: 12 Lumens
4. Fixture fits both 3.5 inch and 4 inch post.

www.homezonesecurity.com

(888) 782-5618



Solar Post Cap (2-Pack)

Model No. ELI1243G

INSTALLATION INSTRUCTIONS

PLEASE READ CAREFULLY AND SAVE THESE INSTRUCTIONS, AS YOU MAY NEED THEM AT A LATER DATE.

HOW TO OPERATE AND INSTALL

Figure 1

- Gently remove all parts from the package and lay them out on a smooth surface.
- Twist the Plastic Housing anti-clockwise and remove it from the top cap.
- Remove battery insulated sheet at the bottom of the top cap.
- Align the tab on the top of the Plastic Housing into the slot on the bottom of the top cap to tighten.

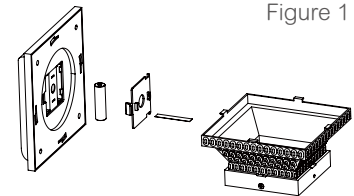


Figure 1

Figure 2

- There are two options of mounting base (3.5 inch & 4 inch), Mount appropriate mounting base to place solar unit directly onto a post. Secure the light onto the post by inserting the 2 screws into the post cap as shown in Figure 2.

Note: Lights may have a protective film over the solar panel. This must be removed prior to use.

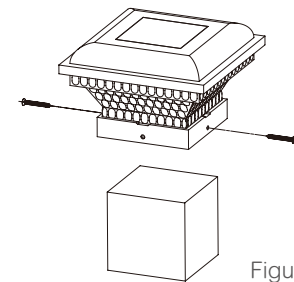


Figure 2

HOW IT WORKS



CLEANING AND MAINTENANCE

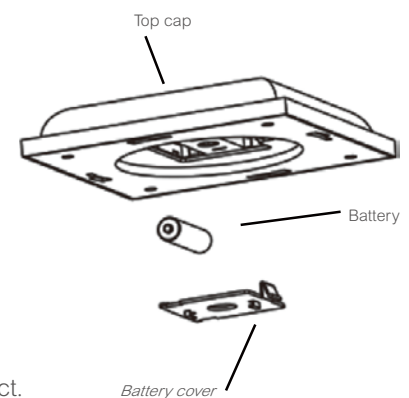
1. Use a damp cloth to clean the solar panel
2. To avoid any damage to this light, please do not use any chemical or abrasive cleaner

RECHARGEABLE BATTERY

This product contains (1)1.2V AA 900mAh Ni-MH rechargeable battery. When the battery expires, it must be recycled or disposed of properly. Please contact your local waste disposal authority for correct procedure. Do not put battery into fire.

Battery replacement

1. Twist the Plastic Housing and remove it from the top cap.
2. Open the battery cover on the bottom of top cap.
3. Replace the old battery with a new battery with same specification making sure the polarity is correct.
4. Reposition the battery cover tightly



Warning, only rechargeable battery should be used.

Register & Subscribe today to protect your investment and join our email list!



Why Register?

- Receive your extended warranty
- Get professional warranty support
- Be the first to hear the latest product news.
- Get exclusive deals delivered to you email.

Scan below for link:



homezonesecurity.com
support@homezone-usa.com
US: +1 888-782-5618

Get exclusive offers and deals when you subscribe!

Thank you for choosing Home Zone Security!
We are here to support you every step of the way.

Please be sure to contact our customer support for troubleshooting and register your product for additional benefits. Products must be sold by an authorized reseller or distributor to be valid.