



Compact Disc Player Multi-Band Stereo Radio
Double Cassette Recorder
Bluetooth Audio System

MODEL: SC-2121BT





Instruction Manual

Please read carefully before use and keep for future reference.

Table of Contents

Warnings and Precautions	3	Stereo Headphone Jack	11
What inside in the Box	6	CD Operation	11
Before You Start	6	Cassette Operation	16
Location of Controls	7	Bluetooth Operation	19
Connect Power	9	Remote Operation	20
Getting Started	10	Specifications General	21
To Play the Radio	10	Warrenty	21

Warnings and Precautions


	CAUTION WARNING: SHOCK HAZARD. DO NOT OPEN. AVIS: RISQUE DE CHOC ELECTRIQUE. NE PAS OUVRIR	
CAUTION: TO REDUCE THE RISK OF FIRE ELECTRIC SHOCK, DO NO REMOVE THE COVER (OR BACK) OF THE UNIT. REFER SERVICING ONLY TO QUALIFIED SERVICE PERSONNEL.		



The lightning flash with arrowhead symbol within an equilateral triangle is intended to alert the user to the presence of uninsulated “dangerous voltage” within the product’s enclosure that may be of significant magnitude to constitute risk of electric shock



The exclamation point within an equilateral triangle is intended to alert the user to the presence of important operation and servicing instructions in the literature accompanying the appliance.

CLASS 1 LASER PRODUCT		
CLASS 1 LASER PRODUCT APPAREIL LASER DE CLASSE 1 PRODUCTO LASER DE CLASE 1	CAUTION INVISIBLE LASER RADIATION WHEN OPEN AND INTERLOCKS DEFEATED AVOID EXPOSURE TO BEAM.	
This product contains a low power laser device.		

On Protection Against Laser Energy Exposure

- As the laser beam used in this product is harmful to the eyes, do not attempt to disassemble the casing.
- Stop operation immediately if any liquid or solid object should fall into the cabinet.
- Do not put anything in the safety slot. If you do, the laser diode will be ON when the disc compartment door is still open.
- If the unit is not to be used for a long period of time, make sure that all power sources are disconnected from the unit. Remove all batteries from the battery compartment, and unplug the AC-DC adapter from the wall outlet. Make it a practice to remove the AC-DC adapter by grasping the main body and not by pulling the cord.
- This unit employs a laser. The use of controls or adjustment or performance of procedures other than those specified here may result in exposure to hazardous radiation.

CAUTION

- Do not block the ventilation openings or holes.
- Do not place any naked flames (such as lighted candles) on the apparatus.
- When discarding batteries, follow all local rules and laws governing the disposal of batteries. Consider the environmental impact of your actions!
- Invisible laser radiation when open and interlock has failed or been defeated. Avoid direct exposure to beam.
- To prevent fire or shock hazard, do not expose this appliance to rain or moisture.

Important Safety Information

1. **Read Instructions:** All the safety and operating instructions should be read before the product is operated.
2. **Retain Instructions:** The safety and operating instruction should be retained for future reference.
3. **Heed Warnings:** All warnings on the product and in the operating instructions should be adhered to.
4. **Follow Instructions:** All operating and usage instructions should be followed.
5. **Cleaning:** Unplug this product from the wall outlet before cleaning. Do not use liquid cleaners or aerosol cleaners. Use a damp cloth for cleaning.
6. **Attachments:** Use only attachments recommended by the manufacturer. Use of other attachments may be hazardous.
7. **Water and Moisture:** Do not use this product near water (e.g., near a bathtub, washbowl, kitchen sink, laundry tub, in wet basements, or near a swimming pool and the like).
8. **Accessories:** Do not place this product on an unstable cart, stand, tripod, bracket, or table. Use only with carts, stands, tripods, brackets, or tables recommended by the manufacturer or sold with the product. Any mounting of the product should follow the manufacturer's instructions and should use a mounting accessory recommended by the manufacturer. A product and cart combination should be moved with care. Quick stops, excessive force, and uneven surfaces may cause the product and cart combination to overturn.
9. **Ventilation:** Slots and openings in the cabinet are provided for ventilation to ensure reliable operation of the product and to protect it from overheating. These openings should never be blocked by placing the product on a bed, sofa, rug, or other similar surface. This product should not be placed in a built-in installation such as a bookcase or rack



- unless proper ventilation is provided or the manufacturer instructions have been adhered to.
10. **Power Sources:** This product should be operated only from the type of power source indicated on the rating label. If you are not sure of the type of power supply to your home, consult your product dealer or local power company. For products intended to operate from battery power or other sources, refer to the operating instructions.
 11. **Grounding or Polarization:** This product may be equipped with a polarized alternating-current line plug that has one blade wider than the other. This plug will only fit into the power outlet in one direction. This is a safety feature. If you are unable to insert the plug fully into the outlet, try reversing the direction of the plug. If the plug should still fail to fit, contact an electrician to replace the obsolete outlet. Do not defeat the safety purpose of the polarized plug.
 12. **Power-Cord Protection:** Power supply cords should be routed so that they are not likely to be walked on or pinched by items placed upon or against them, paying particular attention to cords at plugs, convenience receptacles, and at the point which they exit from the product.
 13. **Protective Attachment Plug:** The product may be equipped with an attachment plug with overload protection. This is a safety feature. See the operating instructions for replacement or directions to reset the protective device. If replacement of the plug is required, be sure the service technician has used a replacement plug that has the same overload protection as the original plug as specified by the manufacturer.
 14. **Lightning:** For added protection for this product, unplug it from the wall outlet during a lightning storm or when it is left unattended and unused for long periods of time. This will prevent damage to the product due to lightning or power-line surges.
 15. **Overloading:** Do not overload wall outlets, extension cords, or integral convenience receptacles as this can result in a risk of fire or electric shock.
 16. **Object and Liquid Entry:** Never push objects of any kind into this product through openings as they may touch dangerous voltage points

or shout-out parts that could result in a fire or electric shock. Never spill liquid of any kind on the product.

17. Servicing: Do not attempt to service this product yourself as opening or removing covers may expose you to dangerous voltage or other hazards. Refer all servicing to qualified service personnel.
18. Damage Requiring Service: Unplug this product from the wall outlet and refer servicing to qualified service personnel under the following conditions: a) when the power-supply or plug is damaged; b) if liquid has been spilled or if objects have fallen into the product; c) if the product has been exposed to rain or water; d) if the product does not operate normally by following the operating instructions. Adjust only those controls that are covered by the operating instructions as improper adjustment of other controls may result in damage and will often require extensive work by a qualified technician to restore the product to its normal operation; e) if the product has been dropped or damaged in any way; f) when the product exhibits a distinct change in performance—this indicates a need for service.
19. Replacement Parts: When replacement parts are required, be sure that your service technician has used replacement parts specified by the manufacturer or have the same characteristics as the original part. Unauthorized substitutions may result in fire, electric shock, or other hazards.
20. Safety Check: Upon completion of any service or repairs to this product, ask the service technician to perform safety checks to ensure that the product is in proper operating condition.
21. Wall or Ceiling Mounting: The product should be mounted to a wall or ceiling only as recommended by the manufacturer.
22. Heat: The product should be situated away from heat sources such as radiators, heat registers, stoves, or other products (including amplifiers) that produce heat.

FCC NOTICE

This device complies with Part 15 of the FCC Rules. Operation is subject to the following two conditions: (1) this device may not cause harmful

interference, and (2) this device must accept any interference received, including interference that may cause undesired operation.

Note: This equipment has been tested and found to comply with the limits for a Class B digital device, pursuant to Part 15 of the FCC Rules. These limits are designed to provide reasonable protection against harmful interference in a residential installation. This equipment generates, uses and can radiate radio frequency energy and, if not installed and used in accordance with the instructions, may cause harmful interference to radio communications. However, there is no guarantee that interference will not occur in a particular installation. If this equipment does cause harmful interference to radio or television reception, which can be determined by turning the equipment off and on, the user is encouraged to try to correct the interference by one or more of the following measures:

- Reorient or relocate the receiving antenna.
- Increase the separation between the equipment and receiver.
- Connect the equipment into an outlet on a circuit different from that to which the receiver is connected.
- Consult the dealer or an experienced radio/TV technician for help.

CAUTION ON MODIFICATIONS

Any changes or modifications not expressly approved by the grantee of this device may void the authority granted by the FCC to operate the equipment.

What inside in the Box

Please take a moment to make sure that you have everything in the list below.

- Main unit
- AC Power Cord
- Remote Control
- User Manual

Before You Start

Please take note of the following before you start.

- Do not block the ventilation openings or holes.
- Avoid installing the unit in locations described below:
- Places exposed to direct sunlight or close to heat radiating appliances (such as electric heaters, or on top of other stereo equipment that radiate heat).
- Places lacking ventilation or dusty places.
- Places subject to constant vibration.
- Places that are humid or moist.
- Operate turning controls and switches as instructed in manual.
- Before turning on the power for the first time, make sure that the power cord is properly installed.

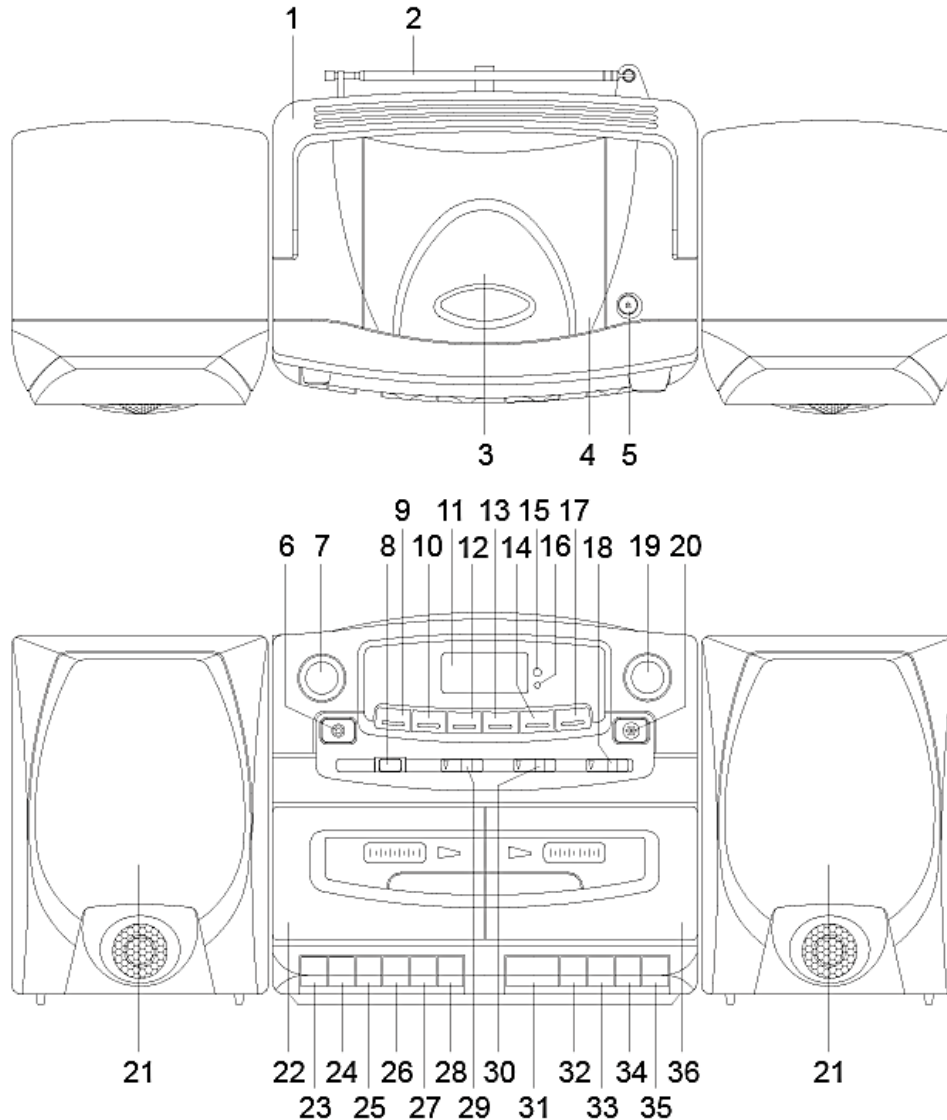
- Store your tapes or CD in a cool area to avoid damage from heat.

CAUTION: TO REDUCE THE RISK OF ELECTRIC SHOCK, DO NOT REMOVE COVER (OR BACK). NO USER SERVICEABLE PARTS INSIDE, REFER SERVICING TO QUALIFIED SERVICE PERSONNEL.

WARNING: Remove batteries if exhausted or if they will not be used again for a long period. The incorrect use of batteries can cause electrolyte leakage and will corrode the compartment or cause the batteries to burst, therefore:

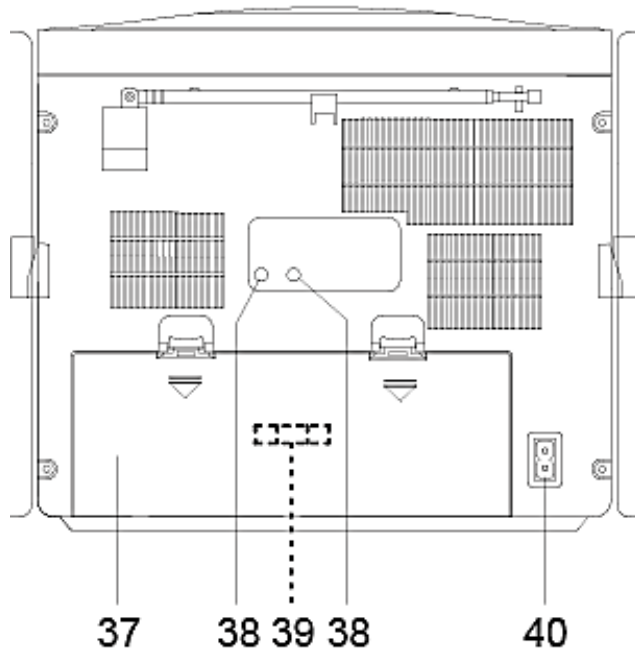
- Do not mix battery types, e.g., alkaline with zinc carbonate.
- When inserting new batteries, replace all batteries at the same time.

Location of Controls

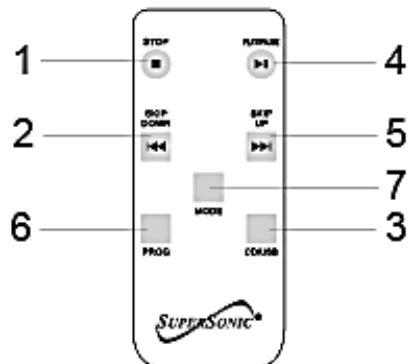


MAIN UNIT

1. HANDLE
2. FM TELESCOPIC ANTENNA
3. CD DOOR
4. CD DOOR CLOSE AREA
5. CD DOOR OPEN BUTTON
6. HEADPHONES JACK
7. VOLUME CONTROL
8. USB PORT
9. PROGRAM BUTTON
10. MODE BUTTON
11. LCD DISPLAY
12. SKIP/SEARCH DOWN BUTTON
13. SKIP/SEARCH UP BUTTON
14. PLAY/PAUSE BUTTON
15. REMOTE SENSOR
16. POWER INDICATOR
17. STOP/USB/ BT BUTTON
18. BAND SWITCH
19. TUNING CONTROL
20. BUILT-IN MICROPHONE
21. SPEAKERS
22. CASSETTE DOOR "B"
23. RECORD BUTTON
24. PLAY BUTTON "B"
25. REWIND BUTTON "B"
26. FAST FORWARD BUTTON "B"
27. STOP/EJECT BUTTON "B"
28. PAUSE BUTTON "B"
29. FUNCTION SWITCH
30. DUBBING SPEED SWITCH
31. PLAY BUTTON "A"
32. REWIND BUTTON "A"
33. FAST FORWARD BUTTON "A"
34. STOP/EJECT BUTTON "A"
35. PAUSE BUTTON "A"



- 36. CASSETTE DOOR "A"
- 37. BATTERY COMPARTMENT DOOR
- 38. SPEAKERS JACKS
- 39. AC VOLTAGE SELECTOR
- 40. AC SOCKET



REMOTE CONTROL

- 1. STOP BUTTON
- 2. SKIP/SEARCH DOWN BUTTON
- 3. CD/USB BUTTON
- 4. PLAY/PAUSE BUTTON
- 5. SKIP/SEARCH UP BUTTON
- 6. PROGRAM BUTTON
- 7. MODE BUTTON

Connect Power

This set is designed to be operated from two different power sources as listed below:

AC Power

Plug the AC Cord into the back of the set and insert the AC plug into standard household outlet.

NOTE:

- Please be sure the AC Voltage Selector is switched to your local voltage.
- This cord is polarized. This means either end of the cord will only fit ONE way into the socket or wall outlet. If it does not fit, do not force it, just reverse it and try again.
- If the AC Cord is plugged into the back of the set, the set will not work on batteries. To operate the set on batteries, remove the AC plug from the back of the set.
- If the AC plug of this unit does not fit in your AC outlet, a plug adaptor should be used. Consult your local dealer on the type of plug adaptor required.

DC Power

This set runs on 8 size "D" batteries. For best performance, always use heavy duty alkaline batteries.

TO INSTALL BATTERIES

1. Remove the Battery Door by gently pushing downward and outward.
2. Insert 8 size "D" batteries.
3. Replace the door.

NOTE:

- Old batteries may swell and leak. To avoid damage to your set, remove the batteries when the set is to be stored for long periods of time or if the batteries become exhausted (the Power Indicator will not light if batteries are completely dead).
- To use your set on battery power you MUST remove the AC Cord from BOTH the wall outlet AND the back of the set.
- Do not mix old and new batteries. Do not mix rechargeable (nickel cadmium) and regular carbon zinc or alkaline batteries.
- The (-) side of battery touches the spring.

Getting Started

The unit features removable speakers, so it can be used on a shelf or desktop with speakers detached, or as a portable unit with speakers attached.

SPEAKER CONNECTION

NOTE: The right and left speakers are NOT interchangeable. The right speaker fits only on the right side. The left speaker fits only on the left side.

1. Bring the right speaker to the right side of the set.
2. Raise the right speaker box about 1 inch higher than set. Align the tracks (rails).
3. Fit speaker over the side rails.
4. When speaker fits over the rails, lower the speaker and make sure the locks snap into the speaker box.
5. Repeat above steps 1 to 4 for the left speaker box.
6. Carefully unwind the speaker wire from behind each speaker box and plug the right plug into Right Speaker Jack also plug the left plug into right Speaker Jack. Wrap the remaining wire behind each speaker box.

To Play the Radio

Make sure the speakers are connected (plugged into the jacks in the back).

1. Slide the Function Switch to RADIO (the Power Indicator will light).
2. Select required wave band with Band Switch.
3. Tune to required station with the Tuning Control.
4. Gently rotate this control back and forth until you get the strongest, clearest sound.
5. The built-in AM antenna and the FM rod antenna are directional. When receiving FM broadcasts, carefully extend the FM Telescopic Antenna to its full length. The strongest reception can be achieved by rotating the set or the FM Antenna.
6. Adjust the Volume Control to your listening preference.
7. To turn off the radio, slide the Function Switch to TAPE (OFF) position, the Power Indicator will go off.

NOTE: FM Stereo Indicator illuminating shows you are receiving stereo broadcasting.

Stereo Headphone Jack

A Stereo Headphone Jack has been provided on the front of the set so that you can listen to the set without disturbing others. To use this jack, plug in low impedance stereo headphones (not included) and adjust the Volume Control for your taste. Special internal switches will turn off the set's speakers when you plug in the stereo headphones.

CD Operation

REMOVING A DISC

1. Make sure the CD is not playing. If it is, press the CD Stop button.
2. Press the CD Door Open button to open the CD Door.
3. Gently remove the disc.
4. Close the CD Door by hand.
5. Replace the disc in its protective storage box.

HANDLING AND MAINTENANCE OF A DISC

- When holding the discs, take care not to touch the playing surface.
- Store the discs in their cases. Return them to their cases with the label surface facing up and push down lightly on the label surface.
- Do not place discs in the following locations:
- Near a heating device or a place where the temperature is high or in dusty areas.
- Do not write on the label surface using a ballpoint pen and do not stick labels on the CD.
- Wipe away any fingerprints or dust on the playing surface of a disc using a soft cloth.

Bear in mind the following points:

- Always wipe from the inside toward the outside of the disc.
- Never in a circular motion.
- Do not use conventional record cleaners, anti-static agents, benzene, thinner or other solvents.

PLAYING A CD

1. Slide the Function Switch to the CD position, the Power Indicator will light.
2. Press the Open button (near the door) to open the CD door.
3. Insert a CD with the LABEL side facing UP. If the disc is upside down, the Display will show "NO DISC".
4. Close the CD Door by pushing the door down with your finger on the right side marked CLOSE.
5. The unit will play the first track of the inserted disc automatically.
6. Adjust the Volume Control to your taste.
7. Press the Play/Pause button, the elapsed time flashes on the screen to indicate at pause mode. To resume the music from pause, press the Play/Pause button again.
8. To stop playing music, press the CD Stop button.
9. To turn off the power, slide the Function Switch to TAPE (OFF) position, the Power Indicator will go off.

SKIP TRACKS AND SEARCH FOR A SPECIFIC POINT TO PLAY (CD)

1. Press once the SKIP/SEARCH up button in music play to skip to the next track. To skip to a specific track ahead, press this button several times.
2. Press once the SKIP/SEARCH down button in music play to go back to the beginning of the current track. Press the SKIP/SEARCH down button twice repeatedly to skip to the previous track. To skip to a specific track at back, press this button several times.
3. Hold the SKIP/SEARCH up button in music play to search at quick rate for a specific point to play.
4. Hold the SKIP/SEARCH down button in music play to search at quick rate for a specific point to play.

REPEAT A SINGLE TRACK (CD)

To repeat a preferred track in playback, press MODE button once, the corresponding icon of repeat a single track shows in the LCD. Then select the preferred track using SKIP/SERCH buttons. The player will repeat the chosen track until you press STOP button.

REPEAT ALL TRACKS (CD)

To repeat all tracks, press MODE button twice in play mode, the corresponding icon of repeat all tracks shows in the LCD. The player will repeat all tracks until you press STOP button.

RANDOM PLAY (CD)

Random play is that tracks on the disc are played by the player at random. Press MODE button three times to enter this mode during play, the icon of random play shows in the LCD. You may press STOP button to exit random play mode and press PLAY/PAUSE button to resume normal playback.

INTRODUCTION PLAY (CD)

Introduction play is that the first ten seconds of each track are played in a sequential order. Press MODE button four times to enter this mode during play, the icon of introduction play shows in the LCD. Press SKIP/SEARCH up button in Introduction mode to begin Introduction play from the next track immediately after the current track. Press SKIP/SEARCH down button in Introduction mode to

begin Introduction play from the current track again. Press STOP button to exit the introduction play mode and press PLAY/PAUSE button to resume normal play from the first track.

NOTE: The MODE button also works at pause or stop mode. If you enter repeat modes, random or introduction modes at pause or stop mode, it is necessary to press PLAY/PAUSE button to start the playback.

MP3-CD (WMA) PLAYBACK

This player is capable of MP3-CDs. It takes longer time for this player to read an MP3-CD than it does CD-DA. Wait patiently while it is reading.

After an MP3-CD is successfully read, the unit will begin playback automatically.

EXTERNAL MEMORY MEDIA OPERATION (USB)

Prepare the player for external memory media operation Insert a USB data traveler into the USB port; slide the FUNCTION switch to the CD position and long press STOP/USB button on the unit or long press CD/USB button on the remote to switch to

USB mode. Playback will start from the first track after reading the USB successfully.

SKIPPING TRACKS AND SEARCHING BETWEEN TRACKS (MP3/USB)

Press SKIP UP button once to skip the current track and play the next track, press this button continuously to go to corresponding tracks ahead; Press once the SKIP/SEARCH down button in music play to go back to the beginning of the current track. Press the SKIP/SEARCH down button twice repeatedly to skip to the previous track. To skip to a specific track at back, press this button several times. Press and hold SKIP buttons to initiate high-rate scanning between tracks; release one of them to begin playback of music at normal speed.

REPEAT A SINGLE TRACK (MP3/USB)

To repeat a preferred track in playback, press MODE button once, the corresponding icon of repeat a single track shows in the LCD. Then select the preferred track using SKIP/SERCH buttons. The

player will repeat the chosen track until you press STOP button.

REPEAT A FOLDER (MP3/USB)

To repeat your desired folder, press MODE button twice in play mode, the corresponding icon of repeat all tracks show in the LCD. The player will repeat all tracks until you press STOP button.

REPEAT ALL TRACKS (MP3/USB)

To repeat all tracks, press MODE button thrice at play mode, the corresponding icon of repeat all tracks shows in the LCD. The player will repeat all tracks until you press STOP button.

RANDOM PLAY (MP3/USB)

Random play is that tracks on the disc are played by the player at random mode. Press MODE button four times to enter this mode during playback, the icon of random play shows in the LCD. You may press STOP button to exit random play mode and press PLAY/PAUSE button to resume normal playback.

INTRODUCTION PLAY (MP3/USB)

Introduction play is that the first ten seconds of each track are played in a sequential order. Press MODE button five times to enter this mode during play, the icon of introduction play shows in the LCD. Press SKIP/SEARCH up button in Introduction mode to begin Introduction play from the current track again. Press STOP button to exit the introduction play mode and press PLAY/PAUSE button to resume normal play from the first track.

NOTE: The MODE button also works at pause or stop mode. If you enter repeat modes, random or introduction modes at pause or stop mode, it is necessary to press PLAY/PAUSE button to start the playback.

PROGRAMMED PLAY (CD/USB/MP3)

Programmed play is that tracks on the disc or on the USB can be edited for playback in a preferred order with the use of PROGRAM button.

In stop mode, press PROG. button once, the program sequence indication "P01" with a flickering track number show on the LCD with

"PROG" waiting for your input, select the first track to be programmed using SKIP/SEARCH buttons, and press PROGRAM button again to store and advance to the next programming step. The program sequence indication changes to "P02" waiting for your next input.

Repeat the steps above to program more tracks. A maximum of 20 tracks for CD and 99 tracks for USB&MP3 can be programmed in memory in a preferred order.

Press PLAY/PAUSE button to begin programmed play in the preferred order after you are done with programming.

Press STOP button twice to exit the programmed playback.

Cassette Operation

TO PLAY A CASSETTE TAPE

1. Open the Cassette Door by pressing the Cassette Stop/Eject button (in some cases, you may have to press the Cassette Stop/Eject button twice since this button has combined functions).
2. Insert cassette tape into deck A or B door track. Make sure the full reel is on the left and the exposed part of the tape faces downward, make sure the tape inside is not slack or loosely wound. If it is, insert a pencil into the reel and turn until the tape is wound up.
3. Close the Cassette Door.
4. Check the position of the Function Switch to make sure it is in the TAPE position.
5. Press the Cassette Play button.
NOTE: If the Play button pops up, reverse the tape or press Rewind.
6. Adjust the Volume Control to your listening preference.

7. To stop the tape, press the Cassette Stop/Eject button.
8. To remove the cassette, press the Cassette Stop/Eject button again and the Cassette Door will open. Unload the cassette tape, reverse it and re-insert into cassette compartment if you want to play the other side of the cassette tape.

RELAY PLAY

To play tapes in deck A and then deck B, follow the steps below.

The Pause button on deck B also activates the Relay Play function of this set. First press Play button on deck A, then press Pause button on deck B, then press Play button on deck B, deck A will play first and when it finishes, deck B will start automatically. When deck B finishes, the set will stop, and the Power Indicator will be off.

TO COPY CASSETTE TAPES (TAPE DUBBING)

To record from a pre-recorded cassette to a blank cassette.

1. Slide Function Switch to TAPE position.

-
2. Place the pre-recorded cassette in the tape compartment of deck A (player deck) with full spool on left. Push the Pause button first, then the Play button. The Power Indicator will light but the tape will not play because the pause is pressed.
 3. Place the blank cassette in the tape compartment of deck B with full spool on left. Push the Pause button first, then the Record and Play buttons together so that they are both locked down.
 4. Release both Pause buttons on both deck A and deck B. both cassettes will start and the music on the pre-recorded cassette in deck A will be recorded directly onto the blank cassette in deck B.
 5. When the recording is completed on one side, if you want to record on the other side, turn both cassettes over to the other side and repeat above steps.
 6. To hear what you recorded, follow "TO PLAY A CASSETTE TAPE" instructions. Remember to

rewind the tape to the beginning then press the Play button.

HIGH SPEED DUBBING

To make recordings faster, slide the Dubbing Speed Switch to HIGH position before starting recording. Remember to return the switch to NORMAL position for playback.

AUTOMATIC LEVEL CONTROL (ALC)

This set has the latest Automatic Level Control circuitry; therefore, it is not necessary to adjust the Volume Control when recording. This circuit automatically records at the correct level and prevents over loading.

NOTE: While recording you may adjust the Volume Control or Bass Boost Switch as you desire without affecting the recording operation.

TO RECORD FROM THE BUILT-IN RADIO

1. Follow the instructions to play the radio.
2. Make sure the Function Switch is in the RADIO position.

-
3. Load a blank cassette tape with full spool on left into the door of deck B.
 4. Locate the portion of the tape where you desire to start recording by using the Rewind feature (or Fast Forward) or start at the beginning of the tape.
 5. Tune in to the station you want to record, press the Cassette Record button and Cassette Play button simultaneously. Both buttons should remain in their depressed positions when released.
 6. You are now recording from the Built-in Radio and the recording process will automatically stop at the end of the tape and shut itself off.
 7. To stop the recording manually, press the Cassette Stop/Eject button.

NOTE: When you want to play the cassette tape after recording, slide Function Switch to TAPE position, press Cassette Rewind button, and then press Cassette Play button. Adjust the Volume Control to your taste.

TO RECORD FROM THE BUILT-IN MICROPHONE

1. Load a blank cassette tape into the Cassette Door of deck B (full reel or spool on left side).
2. Check the position of the Function Switch to make sure it is in the TAPE position.
3. Press the Cassette Record button and Cassette Play button at the same time. Both buttons should remain in their down positions when released.
4. When you talk in front of the set your voice will be recorded. You are now recording using the Built-in Microphone and the recording process will automatically stop at the end of the tape and shut itself off.
5. To stop the recording manually, press the Cassette Stop/Eject button.
6. To hear what you recorded, press the Cassette Rewind button and Cassette Play button.

TO RECORD FROM COMPACT DISC

1. Load the cassette tape into the Cassette Door of deck B (full reel on the left).
2. Load the compact disc and close the CD Door.

-
3. Set the Function Switch to the CD position and press CD PLAY/PAUSE button to pause the playback.
 4. Press the Cassette Pause button for the cassette.
 5. Press the Cassette Record and Play buttons for record stand-by.
 6. Start the CD playing by pressing the CD Play/Pause button.
 7. Press the Cassette Pause button when you wish to start recording.
 8. Press the Cassette Stop/Eject button to stop the recording.
 9. The recording will stop when the tape has reached the end and the Record and Play buttons will pop up.
 10. To hear what you recorded, slide the Function Switch to TAPE position, then press Rewind and Play buttons.

CLEANING THE TAPE HEADS

When the heads, capstan and pinch roller become dirty, this may result in muffled, distorted or reduced sound during play back and may even

result in tape jams. Remove the cassette tape and clean with a cotton swab moistened with commercially sold head/pinch roller cleaner or alcohol. Wait approximately 10 seconds for the alcohol or cleaning fluid to dry before using.

Bluetooth Operation

Slide the FUNCTION switch to the CD position and long press STOP/USB/BT button or long press CD/USB/BT button on the remote to switch to Bluetooth mode. Turn on the Bluetooth function of your device and enable to the search or scan function to find "**SC-2121BT**" for pairing. After pairing your Bluetooth device successfully, the music from your device will be streaming to play automatically.

Remote Operation

After the main unit is switched on, you can operate the system by using the remote in almost the same way as with the controls of the main unit.

The remote control operates on one **CR2025 3V** lithium battery (included in the remote). To activate the remote control, remove the insulator tab inserted in the battery compartment.

If the remote operation becomes intermittent or unsatisfactory, replace the original battery with a new CR2025 3V lithium battery.

1. Press down on the compartment cover, slide out the battery holder from the remote-control case.
2. Replace the battery making sure the battery is installed correctly. The remote will not work if the battery is installed with the wrong polarity.

CAUTION:

- 1.) Danger of explosion if the battery is replaced incorrectly.
- 2.) Replace only with the same or equivalent type battery.
- 3.) Insert the battery holder back into the battery slot.

REMOTE CONTROL RANGE

- Use the remote controller within an angle of 30° at the left and right horizontally and over distances up to about 3 meters starting ahead.
- Before operating the cassette deck, make sure the slide Function Switch on the Amplifier Section is pushed to the tape position.

Specifications General

Power requirement

AC 110/220V ~ 60/50Hz

(YOUR EXACT AC POWER CAN BE CHECKED FROM THE BACK PLATE OF UNIT.)

DC 12V UM1/"D" x 8pcs

Power consumption

21W

Dimensions

Approx. 590.75(L) x 213.99(W) x 244.0(H) mm

Operation temperature

+5°C ~ + 35°C

RECEIVER SECTION

Receiving bands AM/FM

Tuning range

AM 520 - 1710 KHz

FM 87 - 108 MHz

CD PLAYER SECTION

Playback system Compact Disc Digital Audio System

DAC 1 bit D/A converter

With 8 times over sampling digital filter

CASSETTE SECTION

Recording system- 4 tracks 2 channel stereo

Biasing system - Magnetic erase, DC Bias

Frequency 125-6300 Hz

Wow and flutter 0.35% WRMS (JIS)

AUDIO SECTION

Speaker impedance 4 ohms

Warranty

Supersonic Inc. ("Supersonic") warrants this product to the original purchaser ONLY, to be free from defects in materials and workmanship under normal use, for ninety (90) DAYS from the date of original purchase. Proof of purchase (receipt) required.

Please visit

<http://www.supersonicinc.com/warranty>

for additional information.