

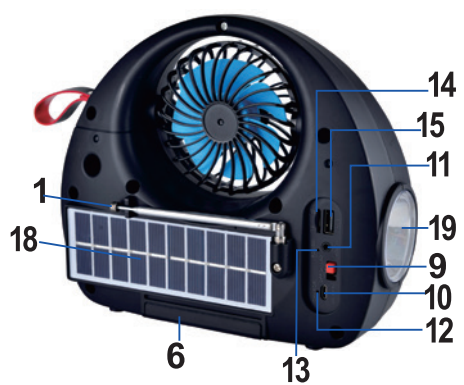
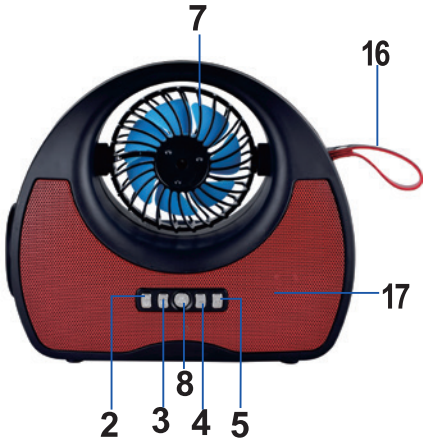
QFX[®]

WHERE THE PARTY BEGINS[™]



INSTRUCTION MANUAL

CONTROL PANEL



1. TELESCOPIC ANTENNA: Adjust to optimize reception.
2. MODE/LED: Select the from FM/BT/AUX/USB/TF. Press and hold to turn ON/OFF LED Light.
3. PLAY/PAUSE/PHONE: Play/ Pause audio, FM auto scan, answer and end calls.
4. - BUTTON: Select the previous audio (.mp3) track from the USB or TF Card.
5. + BUTTON: Select the next audio (.mp3) track from the USB or TF Card.
6. BATTERY COMPARTMENT: Install dry or rechargeable batteries.
7. FAN: Swivel Fan
8. FAN BUTTON: Fan ON/OFF
9. POWER LED LIGHT: Switch to turn on the LED light only.
10. DC 5V IN JACK: Connect to recharge the unit *(Remove dry batteries before charge).
11. AUX JACK: Connect a 3.5mm external audio feed for audio playback.
12. CHARGE INDICATOR LIGHT: Indicates when the unit is charging.
13. POWER INDICATOR LIGHT: Indicates when the unit is ON.
14. TF CARD SLOT: Insert to playback mp3 formatted music.
15. USB: Insert to playback mp3 formatted music.
16. HAND STRAP: Secure hand strap.
17. SPEAKER: 2" speaker.
18. SOLAR PANEL: Recharge using solar power.
19. FLASH LIGHT: LED type.

1. ANTENA TELESCÓPICA: ajuste para optimizar la recepción.
2. MODE / LED: selección entre FM / BT / AUX / USB / TF. Mantenga presionado para ENCENDER / APAGAR la luz LED.
3. REPRODUCIR / PAUSA / TELÉFONO: Reproduce / Pausa el audio, escaneo automático de FM, responde y finaliza llamadas.
4. - BOTÓN: Selecciona la pista de audio anterior (.mp3) de la tarjeta USB o TF.
5. BOTÓN +: Seleccione la siguiente pista de audio (.mp3) de la tarjeta USB o TF.
6. COMPARTIMENTO DE LA BATERÍA: Instale baterías secas o recargables.
7. VENTILADOR: Ventilador giratorio
8. BOTÓN DE VENTILADOR: Ventilador ENCENDIDO / APAGADO
9. LUZ LED DE ALIMENTACIÓN: Cambie para encender solo la luz LED.
10. TOMA DE ENTRADA DC 5V: Conecte para recargar la unidad * (Retire las baterías secas antes de cargar).
11. TOMA AUX: Conecte una alimentación de audio externa de 3,5 mm para la reproducción de audio.
12. LUZ INDICADORA DE CARGA: Indica cuando la unidad se está cargando.
13. LUZ INDICADORA DE ENERGÍA: Indica cuando la unidad está ENCENDIDA.
14. RANURA PARA TARJETA TF: Insértela para reproducir música en formato mp3.
15. USB: Insertar para reproducir música en formato mp3.
16. CORREA DE MANO: Correa de mano segura.
17. ALTAVOZ: Altavoz de 2" .
18. PANEL SOLAR: Recargue con energía solar.
19. LUZ DE DESTELLO: tipo LED.

- ANTENNE TÉLESCOPIQUE: Ajustez pour optimiser la réception.
2. MODE / LED: sélectionnez FM / BT / AUX / USB / TF. Appuyez et maintenez pour allumer / éteindre la lumière LED.
3. LECTURE / PAUSE / TÉLÉPHONE: lecture / pause audio, balayage automatique FM, réponse et fin des appels.
4. - BOUTON: Sélectionnez la piste audio précédente (.mp3) de la carte USB ou TF.
5. TOUCHE +: Sélectionnez la piste audio suivante (.mp3) à partir de la carte USB ou TF.
6. COMPARTIMENT DE BATTERIE: Installez des batteries sèches ou rechargeables.
7. VENTILATEUR: ventilateur pivotant
8. BOUTON VENTILATEUR: Ventilateur MARCHÉ / ARRÊT
9. LUMIÈRE LED D'ALIMENTATION: interrupteur pour allumer la lumière LED uniquement.
10. JACK DC 5V IN: Connectez pour recharger l'unité * (Retirez les piles sèches avant la charge).
11. JACK AUX: connectez une alimentation audio externe de 3,5 mm pour la lecture audio.
12. VOYANT DE CHARGE: Indique quand l'unité est en charge.
13. VOYANT INDICATEUR D'ALIMENTATION: Indique quand l'unité est allumée.
14. FENTE DE CARTE TF: Insérez pour lire de la musique au format mp3.
15. USB: insérer pour lire de la musique au format mp3.
16. SANGLE DE MAIN: Sangle de main sécurisée.
17. HAUT-PARLEUR: Haut-parleur de 2" .
18. PANNEAU SOLAIRE: Rechargez en utilisant l'énergie solaire.
19. FLASH LIGHT: type LED.

QFX®

WHERE THE PARTY BEGINS™

Questions? Comments? Contact Us Anytime
Preguntas? Comentarios? Contáctenos en cualquier momento.
Des questions? Commentaires? Contactez-nous à tout moment


1-800-864-CLUB (2582)
Mon-Fri 9AM - 6PM (PST)


support@qfxusa.com
Mon-Fri 9AM - 6PM (PST)

GENERAL FUNCTIONS

General Functions:

1. Install the battery (18650) into the battery compartment (6). Double check the +/- symbols when installing the battery. Ensure that the polarities are correct.
2. Use the ON/OFF/LED (9) switch to activate the unit or flashlight.
3. Press the Fan button (8) to turn ON/OFF the fan and to change fan speed.
4. When listening to a program (Radio Station) pull out the telescoping antenna (1) to optimize the reception.
5. To save battery power, turn the unit OFF when not in use and disconnect the USB power cord. If the unit will not be used for a long time, disconnect the power cable and remove the batteries.
6. Use the "-" and "+" to adjust the volume, select the next audio track, or FM station (4/5).
7. Press the Play/Pause/Phone Button (3) to play or pause USB/TF Card playback. In FM mode, press and hold for 3 seconds to begin auto scan. For Phone Link, use this button to answer and end calls. Press and hold down to activate the flashlight in Bluetooth mode.
8. To use the Phone Link, please pair the mobile device and unit via bluetooth first. Use the Play/Pause/Phone to answer and end calls. The unit will prompt with a "Beep" sound when starting or ending a call.

General Functions:

1. Instale la batería (18650) en el compartimento de la batería (6). Verifique dos veces los símbolos +/- al instalar la batería. Asegúrese de que las polaridades sean las correctas.
2. Utilice el interruptor de ENCENDIDO / APAGADO / LED (9) para activar la unidad o la linterna.
3. Presione el botón Ventilador (8) para ENCENDER / APAGAR el ventilador y cambiar la velocidad del mismo.
4. Cuando escuche un programa (estación de radio) saque la antena telescópica (1) para optimizar la recepción.
5. Para ahorrar energía de la batería, apague la unidad cuando no esté en uso y desconecte el cable de alimentación USB. Si la unidad no se utilizará durante mucho tiempo, desconecte el cable de alimentación y retire las baterías.
6. Utilice "-" y "+" para ajustar el volumen, seleccione la siguiente pista de audio o estación FM (4/5).
7. Presione el botón Reproducir / Pausa / Teléfono (3) para reproducir o pausar la reproducción de la tarjeta USB / TF. En el modo FM, mantenga presionado durante 3 segundos para comenzar la búsqueda automática. Para el enlace de teléfono, use este botón para responder y finalizar llamadas. Mantenga oprimida para activar la linterna en modo Bluetooth.
8. Para utilizar Phone Link, primero empareje el dispositivo móvil y la unidad mediante bluetooth. Utilice Reproducir / Pausa / Teléfono para responder y finalizar llamadas. La unidad emitirá un sonido de "Bip" al mirar fijamente o al finalizar una llamada.

General Functions:

1. Installez la batterie (18650) dans le compartiment de la batterie (6). Vérifiez les symboles +/- lors de l'installation de la batterie. Assurez-vous que les polarités sont correctes.
2. Utilisez l'interrupteur ON / OFF / LED (9) pour activer l'unité ou la lampe de poche.
3. Appuyez sur le bouton Fan (8) pour allumer / éteindre le ventilateur et pour changer la vitesse du ventilateur.
4. Lors de l'écoute d'un programme (Radio Station), retirez l'antenne télescopique (1) pour optimiser la réception.
5. Pour économiser la batterie, éteignez l'appareil lorsqu'il n'est pas utilisé et débranchez le cordon d'alimentation USB. Si l'appareil n'est pas utilisé pendant une longue période, débranchez le câble d'alimentation et retirez les piles.
6. Utilisez les touches «>» et «<» pour régler le volume, sélectionnez la piste audio suivante ou la station FM (4/5).
7. Appuyez sur le bouton Lecture / Pause / Téléphone (3) pour lire ou mettre en pause la lecture de la carte USB / TF. En mode FM, maintenez la touche enfoncée pendant 3 secondes pour lancer le balayage automatique. Pour la liaison téléphonique, utilisez ce bouton pour répondre aux appels et y mettre fin. Appuyez et maintenez enfoncée pour activer la lampe de poche en mode Bluetooth.
8. Pour utiliser Phone Link, veuillez d'abord coupler l'appareil mobile et l'unité via Bluetooth. Utilisez Play / Pause / Phone pour répondre et terminer les appels. L'appareil émettra un bip sonore lors du démarrage ou de la fin d'un appel.

USB (TF) PLAYBACK

1. Insert a USB flash drive or a TF card with MP3 format music for playback. The unit will play automatically when inserting the USB or TF Card. Press PLAY/PAUSE button to pause the audio track. Press "-" to select the previous audio track and "+" for the NEXT audio track.

REPRODUCCIÓN USB (TF)

1. Inserte una unidad flash USB o una tarjeta TF con música en formato MP3 para reproducir. La unidad se reproducirá automáticamente al insertar la tarjeta USB o TF. Presione el botón REPRODUCIR / PAUSA para pausar la pista de audio. Presione "-" para seleccionar la pista de audio anterior y "+" para la pista de audio SIGUIENTE.

LECTURE USB (TF)

1. Insérez une clé USB ou une carte TF avec de la musique au format MP3 pour la lecture. L'appareil jouera automatiquement lors de l'insertion de la carte USB ou TF. Appuyez sur le bouton PLAY / PAUSE pour mettre la piste audio en pause. Appuyez sur «>» pour sélectionner la piste audio précédente et sur «<» pour la piste audio SUIVANTE.

NOTE:

1. This unit includes a built-in rechargeable battery.
2. In order to prolong the battery life, it is recommended that the unit is charge 6-8 hrs before the first use.

NOTA:

1. Esta unidad incluye una batería recargable incorporada.
2. Para prolongar la vida útil de la batería, se recomienda que la unidad se cargue de 6 a 8 horas antes del primer uso.

REMARQUE:

1. Cet appareil comprend une batterie rechargeable intégrée.
- Afin de prolonger la durée de vie de la batterie, il est recommandé de charger l'appareil 6 à 8 heures avant la première utilisation..

GENERAL FUNCTIONS

BLUETOOTH PLAY INSTRUCTION:

1. Bluetooth mode: use the MODE button to enable Bluetooth on the R-40. Open the Bluetooth settings on your mobile device and search for QFX R-40. Select the option to pair both devices. Now you can sit back and enjoy the music from your favorite app. You will not need to reconnect Bluetooth when changing modes.

INSTRUCCIONES DE BLUETOOTH PLAY:

1. Modo Bluetooth: use el botón MODE para habilitar Bluetooth en el R-40. Abra la configuración de Bluetooth en su dispositivo móvil y busque QFX R-40. Seleccione la opción para emparejar ambos dispositivos. Ahora puedes sentarte y disfrutar de la música de tu aplicación favorita. No necesitará volver a conectar Bluetooth cuando cambie de modo.

INSTRUCTION DE LECTURE BLUETOOTH:

1. Mode Bluetooth: utilisez le bouton MODE pour activer Bluetooth sur le R-40. Ouvrez les paramètres Bluetooth sur votre appareil mobile et recherchez QFX R-40. Sélectionnez l'option pour coupler les deux appareils. Vous pouvez maintenant vous asseoir et profiter de la musique de votre application préférée. Vous n'aurez pas besoin de reconnecter Bluetooth lors du changement de mode.



FOLLOW US @QFXUSA



THANK YOU.

Enjoy your speaker and make many memories with it because
QFX is Where the Party Begins!

We would love to hear about your R-40 Journey!
Tag us **@QFXUSA** to share your stories.



LIMITED PRODUCT WARRANTY POLICY

Before returning your Product for service under this Warranty, please (i) read the instruction manual carefully and visit our website at www.qfxusa.com for Product updates and extended support documentation (e.g., Common Troubleshooting Guides); (ii) if you are still having trouble with your Product, please contact the QFX Customer Support Department.

Subject to the terms and conditions herein, QFX, Inc. (herein after called "QFX") warrants to the original purchaser of the Product ("Customer") that for the applicable Warranty Period listed below, the Product will be free from defects in material or workmanship under normal, non-commercial use ("Defects").

Warranty Period encompasses, as listed below, separate "Coverage Periods" for Parts and Labor, each Coverage Period to begin from the original date of Customer purchase. If Customer returns a defective Product (or any component thereof) during the applicable Warranty Period, QFX will, at its option, during the specified Coverage Periods for Parts and Labor (as applicable either: (i) repair the Product (or, as applicable, any component thereof) or (ii) replace the Product (or, as applicable, any component thereof) with a new or refurbished Product (or, as applicable, any component thereof), in either case free of charge to Customer for Parts and/or Labor (as applicable) during the specified Coverage Period only, and excluding applicable shipping charges (noted below), for which the Customer is responsible. The foregoing states the Customer's exclusive remedy and QFX sole liability for breach of the limited warranty contained herein.

This warranty covers only normal use. This warranty is not transferable. QFX is not responsible for warranty replacement should the QFX label or logo be removed or should the product fail to be properly maintained or fail to function properly as a result of **misuse, abuse, immersion in liquids, improper installation, improper shipping, damage caused by disasters such as fire, flood, or service other than by QFX**. In addition, this warranty excludes any Product (or, as applicable, any component thereof) that has been subject to or Defects resulting from: (a) any neglect or misuse by a Customer, an accident, improper application, violation of operating instructions for the Product, any other Customer-induced damage, or the alteration or removal of any Product serial number; (b) any modification or repair to Product (or, as applicable, any component thereof) by any party other than QFX or a party authorized in writing by QFX; (c) any damage to Product (or, as applicable, any component thereof) due to power surges, incorrect electrical voltage, misconnection to any device, or malfunction of any device used with the Product (or, as applicable, any component thereof); (d) cosmetic damage to the Product (or, as applicable, any component thereof) caused by normal wear and tear; (e) shipping damage that occurs while the Product is in transit; (f) damage caused by heat sources, sunlight, electromagnetic conditions, or other climatic conditions or (g) any acts of God.

Product is sold to Customer for personal, non-commercial use only. Product is not warranted for Customer's commercial or rental use. In addition, Product is not warranted against failure, and should not be used by Customer for any application where (i) there is a risk that any data stored on Product will be breached or otherwise compromised, or (ii) the data stored on Product is relied upon for medical or lifesaving applications. QFX disclaims any Warranty for any of the foregoing uses to the fullest extent permitted by law. Customer assumes any and all risks associated with such uses of Product, and agrees to indemnify QFX for any damages claimed against QFX for such uses.

EXCEPT FOR EXPRESS WARRANTIES STATED ABOVE AND TO THE MAXIMUM EXTENT PERMITTED BY LAW, THE PRODUCTS ARE PROVIDED "AS IS" AND QFX DISCLAIMS ALL OTHER WARRANTIES, INCLUDING WITHOUT LIMITATION ANY IMPLIED WARRANTY (i) OF MERCHANTABILITY, (ii) OF FITNESS FOR A PARTICULAR PURPOSE, OR (iii) OF NON-INFRINGEMENT OF THIRD PARTY RIGHTS. TO THE MAXIMUM EXTENT PERMITTED BY APPLICABLE LAW, IN NO EVENT WILL QFX BE LIABLE TO CUSTOMER OR ANY THIRD PARTY FOR ANY INDIRECT, SPECIAL, INCIDENTAL, CONSEQUENTIAL, EXEMPLARY OR PUNITIVE DAMAGES, INCLUDING, WITHOUT LIMITATION, ANY LOST PROFITS OR REVENUES, LOSS OR INACCURACY OF ANY DATA OR COST OF SUBSTITUTE GOODS, REGARDLESS OF THE THEORY OF LIABILITY (INCLUDING NEGLIGENCE) AND EVEN IF QFX HAS BEEN ADVISED OF THE POSSIBILITY OF SUCH DAMAGES, QFX AGGREGATE LIABILITY TO CUSTOMER FOR ACTUAL DIRECT DAMAGES FOR ANY CAUSE WHATSOEVER SHALL BE LIMITED TO THE CUMULATIVE PRODUCT FEES PAID BY THAT CUSTOMER FOR THE PRODUCTS CAUSING THE DAMAGES, IF ANY.

This Warranty gives Customer specific rights, and Customer may also have other rights that vary from jurisdiction to jurisdiction. Warning: Some Products may contain components that are small enough to be swallowed. Please keep out of reach of children. In order for the return to be processed, you must send the Product PREPAID to the address below in the original packaging or reasonable substitute to prevent damage and include: (1) a dated sales receipt (which must have a purchase date that falls in the Warranty Period specified in the table below) that indicates the place of purchase, model number of Product, and amount paid, (2) a detailed description of Customer's problem with Product, (3) Customer's full name, phone number, and return address, (3) all of the accessories that came with the Product package must be sent along with the main Product, (4) a cashier's check or money order payable to QFX, Inc., in the amount specified for the item in the product table below for return shipping and handling. If in the case you cannot provide a money order or cashier's check, you can contact The QFX Customer Support Representative to arrange payment via credit card. No returned Product will be shipped back to a PO BOX. If a returned Product is found to have no problem and/or does not include ALL of the requirements indicated above, it may be returned back to the customer and will not be processed.

QFX USA®, Inc.

RMA Processing
Customer Support Department
2957 E. 46th Street | Vernon, CA 90058

support@qfxusa.com
(800) 864-CLUB (2582) or (323) 864-6900
qfxusa.com
Hours of Operation: Monday - Friday, 9am - 5pm PST

All prices and details below are for US Destinations excluding, Hawaii, Alaska and Puerto Rico. For excluded destinations and NON US destinations, please contact The QFX Customer Support Department directly for additional shipping fees and return instructions.

If you do not find your Product below, your Product model conflicts with multiple categories, and/or are unsure of which category the Product you have purchased will fall under, please contact our Customer Support Department for further instruction.

In order to determine the exact shipping cost that must be included with your product or paid for the product being returned, please refer to the table below. Please find the product you wish to return by category or model number prefix. QFX will not provide any return or refund to any customer for merchandise and will only honor the Limited Warranty restrictions mentioned in this document.

Please make sure to follow all directions prior to shipping back your item. If you are not sure what the shipping cost for your item is, or if your item category conflicts in the table below, please feel free to contact the QFX Support Department for further assistance.

PRODUCT CATEGORY	HANDLING	LABOR	PARTS
Earphones, Headphones, Pocket Radios, & Small Bluetooth vSpeakers	\$5.00	1 Year	1 Year
Personal Stereos	\$10.00	1 Year	1 Year
Portable Radio/Cassette	\$15.00	1 Year	1 Year
Large Portable Radio Cassette	\$20.00	1 Year	1 Year
Mobile Audio	\$10.00	1 Year	1 Year
Pro Audio SBX Systems	\$75.00	1 Year	1 Year
Pro Audio PBX Systems	\$75.00	1 Year	1 Year
Televisions	\$25.00	1 Year	1 Year
Telephones	\$10.00	1 Year	1 Year

THE WARRANTY AND REMEDY PROVIDED ABOVE ARE EXCLUSIVE AND IN LIEU OF ALL OTHER EXPRESSED OR IMPLIED WARRANTIES INCLUDING, BUT NOT LIMITED TO, THE IMPLIED WARRANTIES OF MERCHANTABILITY, NON-INFRINGEMENT OR FITNESS FOR A PARTICULAR PURPOSE. SOME LAWS DO NOT ALLOW THE EXCLUSION OF IMPLIED WARRANTIES. IF THESE LAWS APPLY, THEN ALL EXPRESSED OR IMPLIED WARRANTIES ARE LIMITED TO THE WARRANTY PERIOD IDENTIFIED ABOVE. UNLESS STATED HEREIN, ANY STATEMENT OR REPRESENTATIONS MADE BY ANY OTHER PERSONS OR FIRM ARE VOID. EXCEPT AS PROVIDED IN THIS WRITTEN WARRANTY, QFX SHALL NOT BE LIABLE FOR ANY LOSS, INCONVENIENCE, OR DAMAGE, INCLUDING DIRECT, SPECIAL, INCIDENTAL OR CONSEQUENTIAL DAMAGES, RESULTING FROM THE USE OR INABILITY TO USE THE QFX PRODUCT, WHETHER RESULTING FROM BREACH OF WARRANTY OR ANY OTHER LEGAL THEORY.

Some jurisdictions do not allow limitations on how long an implied warranty lasts, and some jurisdictions do not allow the exclusion or limitation of incidental or consequential damages, so the above limitations and exclusions may not apply to you. This warranty gives you special legal rights and you may have other rights which vary from jurisdiction to jurisdiction.

Copyright Protected 2021 ©



www.qfxusa.com