



Linkable 5000LM Triple Head LED Security Light

ES00942G
INSTALLATION INSTRUCTIONS



Warning



PLEASE READ CAREFULLY AND SAVE THESE INSTRUCTIONS, AS YOU MAY NEED THEM AT A LATER DATE.

IMPORTANT SAFETY OPERATING INSTRUCTIONS

1. Please read all warning and instruction labels which are included in the box and fixture to avoid personal injury, property damage caused by fire, cuts, bruises, death and other dangers.
2. Please follow these general precautions before installing, maintaining, or fixing.

WARNING

Risk of Electrical Shock

1. Turn off electrical power at fuse or circuit breaker box before wiring fixture to the power supply.
2. Make sure all electrical and grounded connections are in accordance with the National Electrical Code and applicable local code requirements.
3. All wiring connections should be compliant with UL standard.


Risk of Injury

1. Wear gloves and safety glasses all the time when moving luminaire from carton, installing, servicing or performing maintenance.
2. Avoid direct eye exposure to the light source while it is on. Or this may cause irreparable damage to the eyes.
3. Account for small parts and destroy packing material, as these may be hazardous to children.

Risk of Burn

1. Allow fixture to cool before touch.
2. Do not exceed maximum wattage marked on luminaire label."

Attention: lights must to be installed by the experienced household wire installer or a qualified electrician, Electrical system and the electrical connection method of light fixture must conform to the national electrical standards and specification requirements of the local architecture."

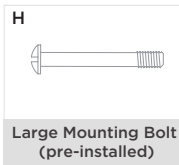
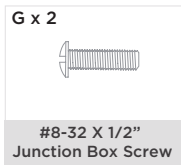
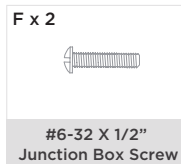
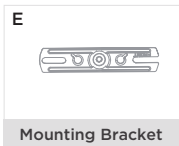
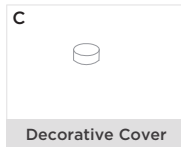
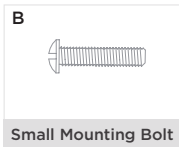
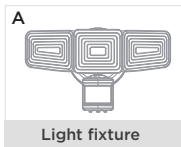
 **WARNING:** This product can expose you to chemicals including lead and lead compounds, Di(2-ethylhexyl)phthalate (DEHP), which are known to the State of California to cause cancer and birth defects or other reproductive harm. For more information go to www.P65Warnings.ca.gov.

Ref. Parts



PREPARATION

Tools required for assembly (not included): phillips screwdriver, safety goggles, power drill and ladder.



Parameter

- 1 Illumination output: approx. 5000 lumens / 5000K
- 2 Wattage: 47W
- 3 Power source: AC120V/60Hz
- 4 Detection range: up to 70feet (21.3m), 240 degree

Installation



1 Installing the Mounting Bracket

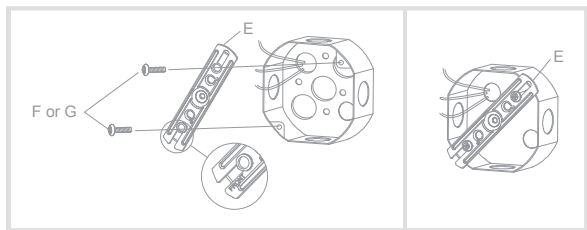
* Align the holes on the mounting bracket (E) with the holes on your junction box.

* Lock the two mounting screws (F or G) to the junction box.

Note:

* Make sure the mounting bracket with the stamped word "FRONT" facing away from the junction box.

* For the best performance, install the light fixture at 5.9 feet -11.5 feet (1.8-3.5m) above the ground.



2 Connecting the Wires

CAUTION: Do not cut any wires and remove the wire connectors.

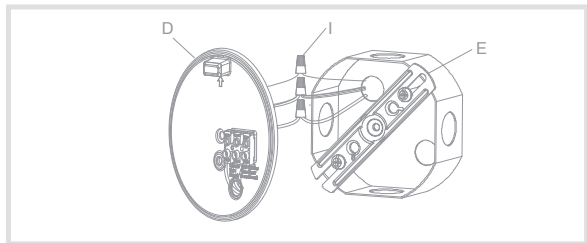
* Connect the wires on the mounting plate (D) and the wires on the junction box with wire nut (I).

- White to white

- Black to black

- Green ground wire to house ground

Note: Make sure the polarity is correct.



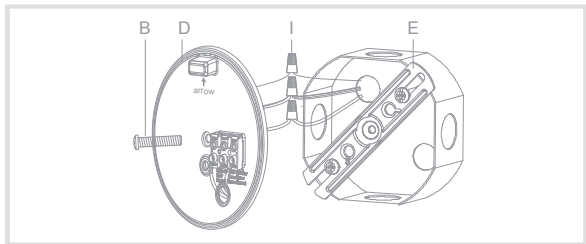
3 Installing the Mounting Plate

- Place the mounting plate (D) against the junction box.

When installing the mounting plate to a wall, the “arrow” must be upward.

When installing the mounting plate to an eave, the “arrow” must be toward the house.

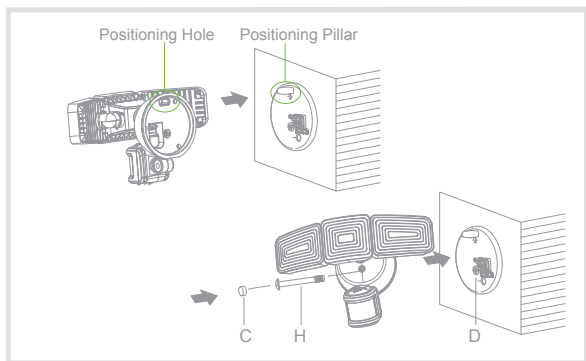
- Insert the small mounting bolt (B) through the mounting plate (D) hole and mounting bracket (E) hole. Tighten the bolt (B) securely.
- Pull on the mounting plate (D) to verify if it is tightly attached to the mounting bracket (E).



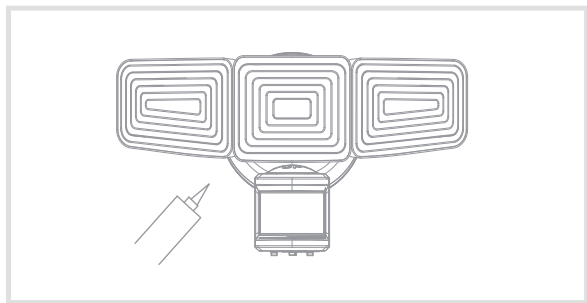
4 Mounting the Light Fixture

Connecting the positioning hole of the light fixture (A) and positioning pillar of the mounting plate (D).

- Tighten the large mounting bolt (H) securely through the center of the mounting plate (D). DO NOT overtighten.
- Push the decorative rubber cover (C) firmly into the large mounting bolt hole on the light fixture (A).



- 5** Use silicone caulk to seal completely around the gap between the mounting bracket and the wall.



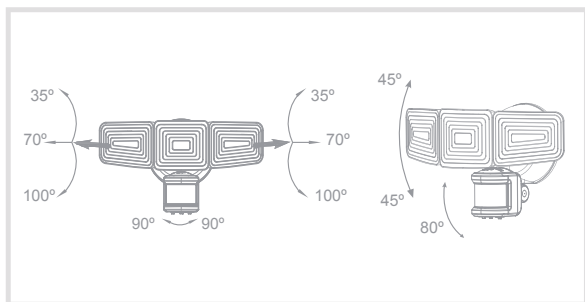
Note: If you install this light fixture on the covered wall or eave without junction box, you must consult a qualified, licensed electrician and use the appropriate screws (not included) to install this light fixture on the wall or eave directly depending on the surface.

How it Works



Adjusting the lamp heads and motion sensor

- Swing the lamp heads to adjust the lamp head left and right or up and down to get the desired lamp direction.
- Gently grasp the motion sensor and adjust the sensor left and right or up and down to get the desired lamp direction.




Product Function Description

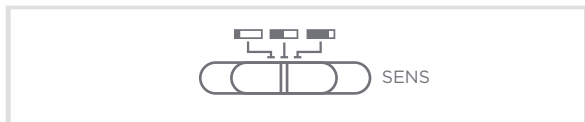
1. SENSITIVITY ADJUSTMENT

Adjust the SENSITIVITY ADJUSTMENT to adjust range of Passive Infrared Motion Sensor

Slide toward the "  " (low) position for short detection range (3-30 ft).

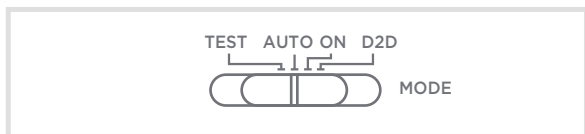
Slide toward the "  " (Middle) position for middle detection range (3-49 ft).

Slide toward the "  " (high) position for long detection range (3-70 ft).



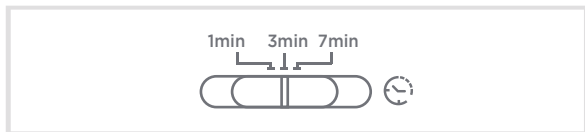
2. 4 MODE FUNCTIONALITY

- **Test mode:** check the light's sensory function in order to test the sensory range. The time duration for the light will be 5s.
- **Auto:** when motion is detected, the light will turn on automatically for the time set (can choose 1, 3 or 7mins) at night.
- **On:** The light will stay on when it is switched on and turn off when it is switched off by light switch, whether it is day or at Night.
- **D2D:** The light automatically lights up at night time and turns off during daylight.



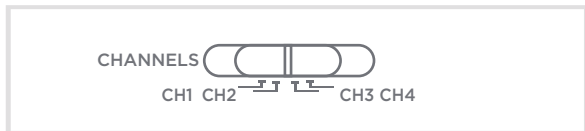
3. ILLUMINATION DURATION

This setting is used to control the time span of how long the light remains on when motion is detected. Set the switch to the 1, 3, 7 minutes position. The security light will stay on as long as motion is detected and will go off after the time span you set after no motion is detected.



4. Linkable Channels Setting

This setting has 4 channels. As long as you choose "linkable" security light or sensors from Home Zone Security, selecting a specific channel to connect all linkable security lights and sensors. They will be grouped as an invisible system and working together. One linkable light triggered, all linkable lights on.



Cleaning and Maintenance



1. Clean periodically with soft cloth.
2. Do not use any cleaners with chemicals, solvents or harsh abrasives on this light. Do not use scouring pads, powders, steel wool or brasive paper. They could cause deterioration of the finish.

FCC

This device complies with Part 15 of the FCC Rules. Operation is subject to the following two conditions: (1) this device may not cause harmful interference, and (2) this device must accept any interference received, including interference that may cause undesired operation.

This device complies with FCC Part 15 of FCC Rules.

Warning: Changes or modifications to this unit not expressly approved by the party responsible for compliance could void the user's authority to operate the equipment.

NOTE: This equipment has been tested and found to comply with the limits for a Class B digital device, pursuant to Part 15 of the FCC Rules. These limits are designed to provide reasonable protection against harmful interference in a residential installation. This equipment generates, uses and can radiate radio frequency energy and, if not installed and used in accordance with the instructions, may cause harmful interference to radio communications.

However, there is no guarantee that interference will not occur in a particular installation. If this equipment does cause harmful interference to radio or television reception, which can be determined by turning the equipment off and on, the user is encouraged to try to correct the interference by one or more of the following measures:

- Reorient or relocate the receiving antenna.
- Increase the separation between the equipment and receiver.
- Connect the equipment into an outlet on a circuit different from that to which the receiver is connected.
- Consult the dealer or an experienced radio/TV technician for help.

Register & Subscribe today to protect your investment and join our email list!



Scan below for link:



homezonesecurity.com
support@homezone-usa.com
US: +1 888-782-5618

Why Register?

- Receive your extended warranty
- Get professional warranty support
- Be the first to hear the latest product news.
- Get exclusive deals delivered to you email.

Get exclusive offers and deals when you subscribe!

Thank you for choosing Home Zone Security!
We are here to support you every step of the way.

Please be sure to contact our customer support for troubleshooting and register your product for additional benefits. Products must be sold by an authorized reseller or distributor to be valid.

Distributed by
Horizon Marketing Group, LLC 
4198 Industry Way
Flowery Branch, GA 30542 USA
Made In Cambodia