

PORTABLE AM/FM DIGITAL RADIO



MODEL: SR-50
USER MANUAL

PLEASE READ THIS USER MANUAL COMPLETELY
BEFORE OPERATING THIS UNIT AND RETAIN
THIS BOOKLET FOR FUTURE REFERENCE.

IMPORTANT SAFETY INSTRUCTIONS

- When used in the directed manner, this unit has been designed and manufactured to ensure your personal safety. However, improper use can result in potential electrical shock or fire hazards. Please read all safety and operating instructions carefully before installation and use, and keep these instructions handy for future reference. Take special note of all warnings listed in these instructions and on the unit.
1. Read these instructions.
 2. Keep these instructions.
 3. Heed all warnings.
 4. Follow all instructions.
 5. Do not use this apparatus near water.
 6. Cleaning – Unplug this product from the wall outlet before cleaning. Do not use liquid cleaners or aerosol cleaners. Clean only with a dry cloth.
 7. Do not install near any heat sources such as radiators, heat registers, stoves, or other apparatus (including amplifiers) that produce heat.
 8. Only use attachments/accessories specified by the manufacturer.
 9. Unplug this apparatus during lightning storms or when unused for long periods of time.
 10. Refer all servicing to qualified service personnel. Servicing is required when the apparatus has been damaged in any way, such as power-supply cord or plug is damaged, liquid has been spilled or objects have fallen into the apparatus, the apparatus has been exposed to rain or moisture, does not operate normally, or has been dropped.
 11. This apparatus shall not be exposed to dripping or splashing water and that no object filled with liquids such as vases shall be placed on the apparatus.
 12. Battery shall not be exposed to excessive heat such as sunshine, fire or the like.
 13. The marking information is located at the back of the apparatus.
 14. Danger of explosion if battery is incorrectly replaced. Replace only with the same or equivalent type.
 15. Attention should be drawn to the environmental aspects of battery disposal.

COMPLIANCE WITH FCC REGULATIONS

This device complies with Part 15 of the FCC Rules. Operation is subject to the following two conditions:

- (1) this device may not cause harmful interference, and
- (2) this device must accept any interference received, including interference that may cause undesired operation.

NOTE: This equipment has been tested and found to comply with the limits for a Class B digital device, pursuant to Part 15 of the FCC Rules. These limits are designed to provide reasonable protection against harmful interference in a residential installation. This equipment generates, uses and can radiate radio frequency energy and, if not installed and used in accordance with the instructions, may cause harmful interference to radio communications. However, there is no guarantee that interference will not occur in a particular installation. If this equipment does cause harmful interference to radio or television reception, which can be determined by turning the equipment off and on, the user is encouraged to try to correct the interference by one or more of the following measures:

- Reorient or relocate the receiving antenna.
- Increase the separation between the equipment and receiver.
- Connect the equipment into an outlet on a circuit different from that to which the receiver is connected.
- Consult the dealer or an experienced radio/TV technician for help.

WARNING

Changes or modifications not expressly approved by the party responsible for compliance could void the user's authority to operate the equipment.

E - 1

ALARM SETTING

SETTING THE ALARMS

1. With the unit in standby mode, tap the **ALARM SET** button once, and the LCD display backlight will turn ON. Tap the **ALARM SET** button repeatedly to select the ALARM 1, ALARM 2 or dual alarms. The corresponding alarm indicator "AL1, AL2" or both alarm indicators light up in display.
2. When alarm 1 indicator "AL1" shows in display, press and hold the **ALARM SET** button for a few seconds, the Alarm 1 display show AM 6:00 and hour digit blinks.
3. Rotate the **TIME ADJUST/SETTING FORWARD/BACKWARD** knob to set hour time of alarm. **Note:** Be sure to observe the PM indicator when setting the alarm to make sure the alarm time is set correctly for am or pm. If the PM indicator is "On", the alarm time will be "PM".
4. Tap the **ALARM SET** button to confirm, minute digits are flashing to prompt for input.
5. Rotate the **TIME ADJUST FORWARD/BACKWARD** knob to set minute time of alarm.
6. Tap the **ALARM SET** button to confirm. Wake up beeping alarm message "bU" showing in display.
7. Rotate the **TIME ADJUST FORWARD/BACKWARD** knob to select wake up source - beeping (bU), FM or AM radio.
- Note:** If you selected wake up to radio, the last radio setting will be used when the alarm time is reached. Make sure the frequency and volume is set properly before putting the unit into standby mode for next day alarm.
8. Tap the **ALARM SET** button to confirm, alarm wake up volume level showing in display.
9. Rotate the **TIME ADJUST FORWARD/BACKWARD** knob to select alarm wake up volume level. Tap the **ALARM SET** button to finish the setup. Alarm 1 indicator "AL1" lights up steady.
10. Repeat above steps 1-9 to set alarm 2 or dual alarm if necessary.
11. **Note:** The minimum wake up volume is level 8.
12. To resume alarm 1/2 from automatically sounding on the upcoming days, tap the **ALARM SET** button repeatedly until the corresponding alarm AL1 or AL2 indicator goes off.
13. To resume alarm 1/2, tap the **ALARM SET** button repeatedly until the corresponding alarm indicator AL1/AL2 will be turned on and the alarm(s) will sound the next day at the set time.

TURNING OFF THE ALARM

When the preset alarm time is reached, the alarm or radio will sound for 60 minutes unless interrupted by pressing SNOOZE. To stop the alarm immediately, tap the **POWER** button once. **Note:** Volume control knob no function in Beeping alarm sounding mode.

SNOOZE FUNCTION

When the alarm sounding, press the **SNOOZE** button to suspend the alarm and activate the snooze function, SNOOZE indicator shows in display, alarm will be temporarily stopped and will sound again 9 minutes later.

NOTES:

- This manual snooze operation can be repeated again and again.
- To turn off the Snooze function when it activates, tap the **POWER** button. The snooze and flashing alarm indicator go off.

E - 5

LISTENING TO THE RADIO

RADIO TUNING

1. Press the **POWER/MODE** button to turn on the unit.
2. Tap the **MODE** button repeatedly to select the AM or FM band. The corresponding indicator will be lighting up and frequency readout will show in display.

MANUAL SEARCH FOR RADIO STATIONS

1. Rotate the **TUNING** knob to choose your desired radio station.
2. Rotate the **VOLUME+/-** knob to set the desired volume level.
3. Use the manual tuning method to tune in weaker stations that are bypassed during Automatic Searching.

AUTOMATIC SEARCH FOR RADIO STATIONS

To automatically search for stations with strong signals, rotate **TUNING** knob quickly until frequency readout on the display begins to scan and then release the knob. The tuner will stop on the first strong station it finds.

Notes:

- Manual tune to select weaker stations that might be skipped during automatic tuning.
- If the automatic tuning does not stop on the exact frequency of the station, for example, it stops on 88.9 MHz instead of 88.8 MHz, use the manual tuning method to "fine tune" to the exact frequency of the desired station.
- If not button pressed, display will change to show clock after 5 seconds and then turn off the backlight for power saving after another 5 seconds.

HINTS FOR BEST RECEPTION:

AM - The AM antenna is located inside the cabinet of the unit. If AM reception is weak, change the position of unit until the internal antenna picks up the strongest signal.
FM - To insure maximum FM tuner reception, the Telescopic Antenna should be fully extended and rotated to obtain the best FM radio reception.

TO SET/RECALL RADIO STATION PRESETS

1. Press the **POWER** button to turn the unit ON.
2. Tap the **MODE** button repeatedly to select AM or FM band. The corresponding indicator will be lighting up and radio frequency readout will show in display.
3. Use the **TUNING** knob to select the desired radio station.
4. Press and hold the **PRESET** button; the next available preset memory number will flash in the LCD display. (Note: "P01" will blink in the display if you are programming presets for the first time.)
5. Rotate the **TIME ADJUST FORWARD/BACKWARD** knob to change to the desired preset number P01 thru P10.
6. Repeat steps #3 thru #5 to preset up to 10 stations.
7. To recall one of the preset stations already programmed, tap the **PRESET** button repeatedly until you reach the desired preset number/radio station.

SLEEP TIMER OPERATIONS

The sleep timer allows you to turn the unit off after a designated time is reached.

1. To activate the sleep timer, turn the unit on and either tune to the desired radio station or listening to music via AUX IN.
2. Tap the **SLEEP** button and the sleep time indicator appears on the display.
3. Repeatedly tap the **SLEEP** button to select a sleep timer of 120, 90, 60, 30, 15, 10 or 5 minutes. Wait 5 seconds after your selection for the unit to confirm the selection, the unit will play for the selected length of time then automatically turn off.

PROTECT YOUR FURNITURE!!

This system is equipped with non-skid rubber 'feet' to prevent the product from moving when you operate the controls. These 'feet' are made from non-migrating rubber material specially formulated to avoid leaving any marks or stains on your furniture. However certain types of oil based furniture polishes, wood preservatives, or cleaning sprays may cause the rubber 'feet' to soften, and leave marks or a rubber residue on the furniture. To prevent any damage to your furniture we strongly recommend that you purchase small self-adhesive felt pads, available at hardware stores and home improvement centers everywhere, and apply these pads to the bottom of the rubber 'feet' before you place the product on fine wooden furniture.

DEAR JENSEN® CUSTOMER

Selecting fine audio equipment such as the unit you've just purchased is only the start of your musical enjoyment. Now it's time to consider how you can maximize the fun and excitement your equipment offers. This manufacturer and the Electronic Industries Association's Consumer Electronics Group want you to get the most out of your equipment by playing it at a safe level. One that lets the sound come through loud and clear without annoying blaring or distortion and, most importantly, without affecting your sensitive hearing. Sound can be deceiving. Over time your hearing "comfort level" adapts to higher volumes of sound. So what sounds "normal" can actually be loud and harmful to your hearing. Guard against this by setting your equipment at a safe level BEFORE your hearing adapts.

To establish a safe level:

- Start your volume control at a low setting.
- Slowly increase the sound until you can hear it comfortably and clearly, and without distortion.

Once you have established a comfortable sound level:

- Set the dial and leave it there.
- Take a minute to do this now will help to prevent hearing damage or loss in the future. After all, we want you listening for a lifetime.

We Want You Listening For a Lifetime

Used wisely, your new sound equipment will provide a lifetime of fun and enjoyment. Since hearing damage from loud noise is often undetectable until it is too late, this manufacturer and the Electronic Industries Association's Consumer Electronics Group recommend you avoid prolonged exposure to excessive noise.



Customer's Record:

The serial number of this product is found on its bottom cover. You should note the serial number of this unit in the space provided as a permanent record of your purchase to aid in identification in the event of theft of loss.

Model Number: SR-50

Serial Number: _____

E - 2

4. To cancel the sleep timer, repeatedly tap the **SLEEP** buttons until timer shows "OFF", sleep indicator goes off.
5. To turn the unit off before the selected length of time, press and hold the **POWER** button at any time.

Notes:

- 1.) To check the remaining sleep time, tap the **SLEEP** button once.
- 2.) If you are falling asleep to music from an external device connected to the AUX input, the sleep timer will shut off the power to this system but it will not turn off the external device.

NAP FUNCTION

This function wakes you up after a short period of time. Only the beeping can be selected.

1. In standby mode, tap the **NAP** button once, and the LCD display backlight will turn ON. Tap the **NAP** button repeatedly to select 120-90-60-30-15-10 or 5 minutes for your nap. Wait 5 seconds for the unit to confirm your selection. The **NAP** indicator lights up.

Note: When the preset time is reached, the alarm will sound for 60 minutes unless interrupted by pressing the **POWER** button.

2. To stop the nap alarm when it sounds, tap the **POWER** button.
3. To cancel NAP alarm before it sounding, tap the **NAP** button repeatedly until display shows OFF and wait for 5 seconds to confirm.

AUXILIARY INPUT

This unit provides an auxiliary audio signal input jack for connecting external audio devices like MP3 players, CD players and listen to them through the speaker of this unit.

1. Use an audio cable (not included) with one 3.5 mm stereo plug on each end of the cable.
2. Plug one end into the **AUX IN JACK** on the main unit and the other end of the cable into the Line-out Jack or Headphone Jack of your external audio device.
3. Turn on the unit and external audio device.
4. Tap the **MODE** button repeatedly until "AUX (AUH)" appears on display.
5. The volume level can now be controlled through the main unit. Operate all other functions on the auxiliary device as usual.

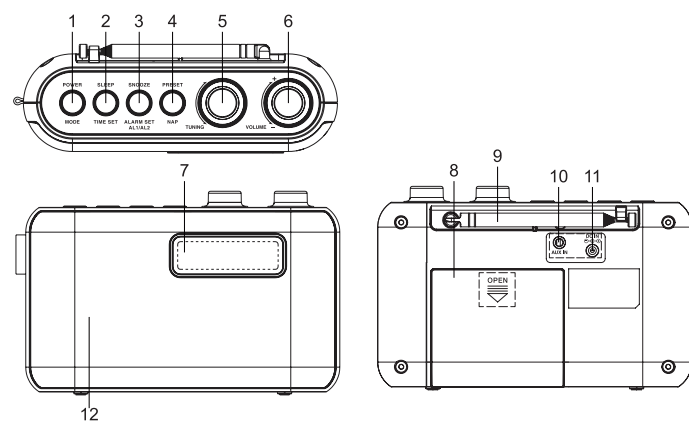
NOTES:

- If you connect this unit to the Line-Out Jack of your external device then you only need to adjust the volume control of this unit. If you connect the Headphone Jack of your external device then you may need to adjust both the volume controls of your external device and this unit to obtain the desirable volume setting.
- Press and hold the **POWER** button to turn off the unit when you have finished listening. Don't forget to switch off the power of your external device as well.

CARE AND MAINTENANCE

1. Children should be supervised when using this appliance.
2. Avoid operating your unit under direct sunlight or in hot, humid or dusty places.
3. Keep your unit away from heating appliances and sources of electrical noise such as fluorescent lamps or motors.
4. Unplug the unit from the electrical power outlet immediately in case of malfunction.

LOCATION OF CONTROLS



1	POWER/MODE BUTTON	7	LCD DISPLAY
2	SLEEP/TIME SET BUTTON	8	BATTERY DOOR
3	SNOOZE/ALARM SET BUTTON	9	FM TELESCOPIC ANTENNA
4	PRESET/NAP BUTTON	10	AUX IN JACK
5	TUNING / TIME ADJUST FORWARD/BACKWARD KNOB	11	DC IN JACK
6	VOLUME+ (UP)/- (DOWN) KNOB	12	SPEAKER

POWER SOURCE

The SR-50 operates on 4 'AA' (UM-3) batteries (Not included) or with a DC 6V, 600 mA power supply (Not included).

BATTERY INSTALLATION

1. Remove the battery door located on the back of the unit.
2. Following the polarity diagram (+ and -) shown in the battery compartment, and insert 4 'AA' (UM-3) batteries (not included).

CAUTION: Danger of explosion or leaking if the battery is replaced incorrectly. Replace only with the same type battery.

3. Replace the battery door.

IMPORTANT: Be sure that the battery is installed correctly. Wrong polarity may damage the unit and void the warranty.

E - 3

CLEANING THE UNIT

- To prevent fire or shock hazard, disconnect your unit from the AC power source when cleaning.
- The finish on the unit may be cleaned with a dust cloth and cared for as other furniture. Use caution when cleaning and wiping the plastic parts.
- If the cabinet becomes dusty wipe it with a soft dry dust cloth. Do not use any wax or polish sprays on the cabinet.
- If the front panel becomes dirty or smudged with fingerprints it may be cleaned with a soft cloth slightly dampened with a mild soap and water solution. Never use abrasive cloths or polishes as these will damage the finish of your unit.

CAUTION: Never allow any water or other liquids to get inside the unit while cleaning.

TROUBLESHOOTING GUIDE

If you experience difficulties in the use of this music system, please check the following or call 1-800-777-5331 for Customer Service.

Symptom	Possible Cause	Solution
Noise or distorted sound on AM or FM broadcast.	- Station not tuned properly for AM or FM - FM: FM antenna is not extended. - AM: The unit is not places in best reception point.	- Retune the AM or FM Broadcast station. - FM: Fully extend FM Antenna - AM: Reposition the unit until the best reception is obtained.
AM or FM no sound	- Unit not in "RADIO" function mode - Volume set at minimum	- Press POWER/MODE button until radio is on and select AM or FM mode. - Increase Volume.
Sound appears distorted at high volume setting	- Volume control of this unit is set to maximum	- Adjust Volume Control to a lower comfortable level.

SPECIFICATION

Power requirement:
DC Input: 4 x 1.5V "AA" (UM-3) batteries (not included) or DC 6V, 600 mA AC adaptor (not included)

Frequency Range: FM 87.5 – 108MHz
AM 520 – 1710KHz



At Spectra, environmental and social responsibility is a core value of our business. We are dedicated to continuous implementation of responsible initiatives with an aim to conserve and maintain the environment through responsible recycling.

Please visit us at <http://www.spectrainitl.com/green.htm> for more information on Spectra's green initiatives or to find a recycler in your area.

Notes:

- 1.) For best performance and longer operating time, we recommend the use of good quality battery.
- 2.) The batteries need to be replaced when if the volume decreases itself, sound is distorted during operation or display backlight blinks on screen.

CAUTIONS

1. Use only the size and type of battery specified.
2. Do not mix old and new batteries.
3. Do not mix alkaline, standard (carbon-zinc) or rechargeable (nickel-cadmium) batteries.
4. If the unit is not to be used for an extended period of time, remove the batteries. Old or leaking batteries can cause damage to the unit and may void the warranty.
5. Do not try to recharge batteries not intended to be recharged; they can overheat and rupture (Follow battery manufacturer's directions).
6. Do not dispose of batteries in fire, batteries may explode or leak.
7. Replace all the batteries at the same time, no matter exhausted or not.

CONNECTING THE AC POWER

This unit may also be used with an AC adaptor (not included) with the output DC 6V, 600mA.

- 1.) Firmly and securely insert the DC plug of the adaptor into the DC Jack on the unit
- 2.) Plug the Adaptor plug into an outlet rated at 120V~ 60Hz.

NOTE: This unit is not magnetically shielded and may cause color distortion on the screen of some TVs or video monitors. To avoid this, you may need to move the unit further away from the TV or monitor if unnatural color shifts or image distortion occurs.

TURNING THE POWER ON/STANDBY

1. In standby mode, tap the **POWER/MODE** button once to turn on the unit.
2. Press and hold the **POWER/MODE** button for 2 seconds to place the unit in standby mode.

Note:

- 1.) This radio features a power saving mode that will automatically turn off the display backlight to prevent draining the batteries when in use. When the power is ON, and if no buttons are pressed within 10 seconds, the display backlight will automatically turn OFF to save battery power. Tap any button to turn the display backlight back ON for 10 seconds. It will turn OFF again once the 10 seconds expires.
- 2.) You can also turn on the display backlight when in standby mode by tapping the **TIME SET** button. The display backlight will turn on for 10 seconds, and then turn OFF again once the time expires.

TIME SETTING

1. In unit Standby mode, press the **TIME SET** button once, the LCD display backlight will be ON, then press and hold the button again, hour digits of clock flashing, set the hour by rotating the **TUNING/ TIME ADJUST FORWARD/BACKWARD** knob.
2. Tap the **TIME SET** button to confirm, minute digits are flashing to prompt for input.
3. Set the minute by rotating the **TIME ADJUST FORWARD/BACKWARD** knob.
4. Tap the **TIME SET** button to finish the setting.

NOTES:

- During the time set, if no buttons are being pressed within 5 seconds, the current display time will be automatically stored.
- Make sure the hour is set so that the **PM** indicator is displayed correctly.

E - 4

90 DAY LIMITED WARRANTY AND SERVICE VALID IN THE U.S.A. ONLY

SPECTRA MERCHANDISING INTERNATIONAL, INC. warrants this unit to be free from defective materials or factory workmanship for a period of 90 days from the date of original customer purchase and provided the product is utilized within the U.S.A. This warranty is not assignable or transferable. Our obligation under this warranty is the repair or replacement of the defective unit or any part thereof, except batteries, when it is returned to the SPECTRA Service Department, accompanied by proof of the date of original consumer purchase, such as a duplicate copy of a sales receipt.

You must pay all shipping charges required to ship the product to SPECTRA for warranty service. If the product is repaired or replaced under warranty, the return charges will be at SPECTRA's expense. There are no other express warranties other than those stated herein.

This warranty is valid only in accordance with the conditions set forth below:

1. The warranty applies to the SPECTRA product only while:
 - a. It remains in the possession of the original purchaser and proof of purchase is demonstrated.
 - b. It has not been subjected to accident, misuse, abuse, improper service, usage outside the descriptions and warnings covered within the user manual or non-SPECTRA approved modifications.
 - c. Claims are made within the warranty period.
2. This warranty does not cover damage or equipment failure caused by electrical wiring not in compliance with electrical codes or SPECTRA user manual specifications, or failure to provide reasonable care and necessary maintenance as outlined in the user manual.
3. Warranty of all SPECTRA products applies to residential use only and is void when products are used in a nonresidential environment or installed outside the United States.

This warranty gives you specific legal rights, and you may also have other rights which vary from state to state. TO OBTAIN SERVICE please remove all batteries (if any) and pack the unit carefully and send it freight prepaid to SPECTRA at the address shown below. IF THE UNIT IS RETURNED WITHIN THE WARRANTY PERIOD shown above, please include a proof of purchase (dated cash register receipt) so that we may establish your eligibility for warranty service and repair of the unit without cost. Also include a note with a description explaining how the unit is defective. A customer service representative may need to contact you regarding the status of your repair, so please include your name, address, phone number and email address to expedite the process.

IF THE UNIT IS OUTSIDE THE WARRANTY PERIOD, please include a check for \$12.00 to cover the cost of repair, handling and return postage. All out of warranty returns must be sent prepaid.

It is recommended that you contact SPECTRA first at 1-800-777-5331 or by email at custserv@spectrainitl.com for updated information on the unit requiring service. In some cases the model you have may be discontinued, and SPECTRA reserves the right to offer alternative options for repair or replacement.

SPECTRA MERCHANDISING INTERNATIONAL, INC.
4230 North Normandy Avenue,
Chicago, IL 60634, USA.
1-800-777-5331

To register your product, visit the link on the website below to enter your information.
<http://www.spectrainitl.com/wform.htm>

0617

Printed in China

