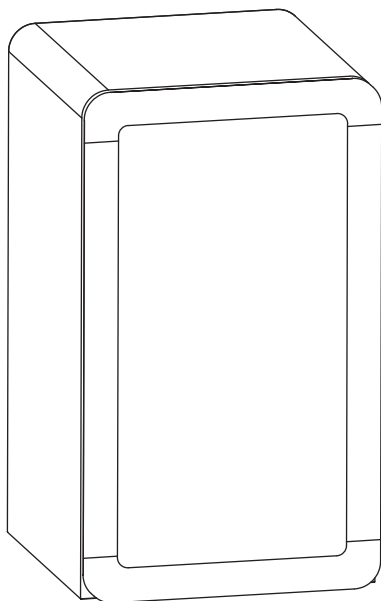




Magic Chef®

3.4 Cu. Ft. Beverage Cooler

User's Manual



Specifications are subject to change without prior notice for purpose of product improvement.

MCB34CHW / MCB34CHB / MCB34CHR / MCB34CHM

**PLEASE READ THIS MANUAL CAREFULLY BEFORE USING YOUR
APPLIANCE AND KEEP IT FOR FUTURE REFERENCE.**



Product Registration

Thank you for purchasing a Magic Chef® product. The first step to protect your new product is to complete the product registration on our website: www.mcappliance.com/register. The benefits of registering your product include the following:

1. Registering your product will allow us to contact you regarding a safety notification or product update.
2. Registering your product will allow for more efficient warranty service processing when warranty service is required.
3. Registering your product could act as your proof of purchase in the event of insurance loss.

Once again, thank you for purchasing a Magic Chef® product.

IMPORTANT SAFETY INSTRUCTIONS



WARNING

To reduce the risk of fire, electrical shock, or injury follow these basic precautions when using your appliance.

- 1) WARNING----Keep ventilation openings, in the appliance enclosure or in the built-in structure, clear of obstruction.
- 2) WARNING----Do not use mechanical devices or other means to accelerate the defrosting process, other than those recommended by the manufacturer.
- 3) WARNING----Do not damage the refrigerant tubing to increase the risk of a leak when handle, move and use of appliance.
- 4) WARNING----Do not use electrical appliances inside the beverages storage compartments of the appliances, unless they are of the type recommended by the manufacturer.
- 5) WARNING----DANGER: Never allow children to play with, operate, or crawl inside the appliance. Risk of child entrapment. Before you throw away your old appliance:
 - Take off the doors.
 - Leave the shelves in place so that children may not easily climb inside.
- 6) The appliance has to be unplugged before carrying out user maintenance on the appliance.
- 7) This appliance can be used by children age 8 years and above and persons with reduced physical sensory or mental capabilities or lack of experience and knowledge if they have been given supervision or instruction concerning use of the appliance in a safe way and understand the hazards involved. Children should not play with the appliance. Cleaning and maintenance should not be made by children without supervision.
- 8) If the component part is damaged, it must be replaced by the manufacturer, its service agent or similar qualified persons in order to avoid a hazard.
- 9) Please abandon the appliance according to local regulations as the unit contains flammable blowing gas and refrigerant.
- 10) Follow local regulations regarding disposal of the appliance due to flammable refrigerant and blowing gas. All refrigeration products contain refrigerants, which under the guidelines of federal law must be removed before disposal. It is the consumer's responsibility to comply with federal and local regulations when disposing of this product.
- 11) This appliance is intended to be used in household and similar environments; such as:
 - staff kitchen areas in shops, offices and other working environments;
 - farm houses and by clients in hotels, motels and other residential type environments;
 - bed and breakfast type environments;
 - catering and similar non-retail applications.
- 12) Do not store or use gasoline or any inflammable liquors and liquids inside or in the vicinity of appliance.
- 13) Do not use an extension cord with this appliance. If the power cord is too short, have a qualified electrician install an outlet near the appliance. Use of an extension can negatively affect the unit's performance.



Caution: risk of fire



IT IS HAZARDOUS FOR ANYONE OTHER THAN AUTHORIZED SERVICE PERSONNEL TO CARRY OUT SERVICES OR REPAIRS INVOLVING THE REMOVAL OF COVERS.

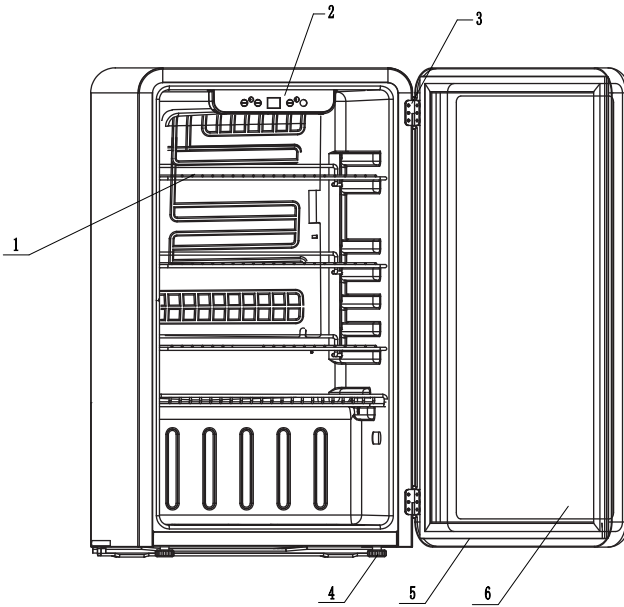


TO AVOID THE RISK OF AN ELECTRICAL SHOCK DO NOT ATTEMPT REPAIRS YOURSELF.

TABLE OF CONTENTS

NAMES OF THE PARTS	2
SPECIFICATIONS.....	3
INSTALLATION INSTRUCTION	
BEFORE USING YOUR APPLIANCE.....	4
INSTALLING YOUR APPLIANCE.....	4
ELECTRICAL CONNECTION	4
OPERATING YOUR APPLIANCE.....	5
TEMPERATURE CONTROL.....	5
LEVELING LEGS.....	5
CARE AND MAINTENANCE.....	6
CLEANING YOUR APPLIANCE.....	6
CHANGING THE INNER LIGHT.....	6
VACATION TIME.....	6
MOVING YOUR APPLIANCE	6
ENERGY SAVING TIPS.....	6
TROUBLESHOOTING GUIDE.....	7
APPLIANCE WARRANTY.....	8

NAMES OF THE PARTS



- | | |
|------------------------------|---|
| (1) Wire Shelf | (2) Adjustable Electronic Thermostat with Digital Display |
| (3) Door Hinge | (5) Door Gasket |
| (4) Adjustable Leveling Legs | (6) Tinted Double Pane Glass Door |

SPECIFICATIONS – Model # MCB34CHW.CHB.CHR.CHM

Product Description	Magic Chef Beverage Cooler		
Model No.	MCB34CHW.CHB.CHR.CHM		
Capacity	3.4 Cu. Ft.		
Unit Dimensions (inches)	Width	Height	Depth
	17.52"	30.70"	19.70"
Net Weight (lbs)	52.9 (lbs)		



DANGER – Risk Of Fire Or Explosion. Flammable Refrigerant Used. To Be Repaired Only By Trained Service Personnel. Do Not Puncture Refrigerant Tubing

CAUTION – Risk Of Fire Or Explosion. Flammable Refrigerant Used. Consult Repair Manual/Owner’s Guide Before Attempting To Service This Product. All Safety Precautions Must be Followed

CAUTION – Risk Of Fire Or Explosion. Dispose Of Property In Accordance With Federal Or Local Regulations. Flammable Refrigerant Used

CAUTION – Risk Of Fire Or Explosion Due To Puncture Of Refrigerant Tubing; Follow Handling Instructions Carefully. Flammable Refrigerant Used

INSTALLATION INSTRUCTIONS

Before Using Your Appliance

- Remove the exterior and interior packing.
- Before connecting the appliance to the power source, let it stand upright for approximately 4 hours. This will reduce the possibility of a malfunction in the cooling system from improper handling during transportation.
- Clean the interior surface with lukewarm water using a soft cloth. (Cleaning instruction on page 7)

Installing Your Appliance

- This appliance is designed to be free standing only, and should not be recessed or built-in.
- Place your appliance on a floor that is strong enough to support the appliance when it is fully loaded.
- Allow 5 inches of space between the back and sides of the appliance, which allows the proper air ventilation. Adjust the feet to keep the appliance level.
- Locate the appliance away from direct sunlight and sources of heat (stove, heater, radiator, etc.). Direct sunlight may affect the acrylic coating and heat sources may increase electrical consumption. Ambient temperature below 55°F will hinder the performance of this appliance. **This unit is not designed for use in a garage or any other outside installation.**
- Avoid locating the appliance in moist areas.
- Plug the appliance into dedicated, properly installed-grounded wall outlet. Do not under any circumstances cut or remove the third (ground) prong from the power cord. Any questions concerning power and/or grounding should be directed toward a certified electrician or an authorized service center. **This unit is not designed to be installed in an RV or used with an inverter.**
- After plugging the appliance into a wall outlet, turn the unit on and allow the unit to cool down for 2~3 hours under before placing beverages in the appliance .

Electrical Connection

⚡WARNING⚡

Improper use of the grounded plug can result in the risk of electrical shock. If the power cord is damaged, have it replaced by an authorized service center.

This appliance should be properly grounded for your safety. The power cord of this appliance is equipped with a three-prong plug which mates with standard three prong wall outlets to minimize the possibility of electrical shock.

Do not, under any circumstances, cut or remove the third ground prong from the power cord supplied.

This appliance requires a standard 115V~ / 60Hz electrical outlet with three-prong ground.

This appliance is not designed to be used with an inverter.

The cord should be secured behind the appliance and not left exposed or dangling to prevent accidental injury.

Never unplug the refrigerator by pulling the power cord. Always grip the plug firmly and pull straight out from the receptacle.

Do not use an extension cord with this appliance. If the power cord is too short, have a qualified electrician or service technician install an outlet near the appliance. Use of an extension cord can negatively affect the performance of the unit.

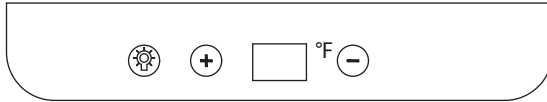
If any problems with the appliance persist, please contact our Customer Service Dept. to consult with a representative at 888 775-0202 or visit our website to request warranty service at www.mcappliance.com.

OPERATING YOUR APPLIANCE

Temperature Control

To adjust the temperature, press and hold the LIGHT ICON on the CONTROL PANEL. Release the button once the numbers on the display flashes. Flashing LED display is an indication that the thermostat is ready to be adjusted.

- TAP + to increase the temperature.
- TAP - to decrease the temperature.
- Display screen will show the temperature that you set.
- You can manually turn off or turn on the light by pressing the LIGHTICON(Short press/tap only).



• NOTE

- If the unit is unplugged, loses power; you must wait 3-5 minutes before restarting the unit.
- If you choose to change the thermostat setting, adjust thermostat control and allow several hours for temperature to stabilize between adjustments.
- Large quantity of beverages will lower the cooling efficiency of the appliance.
- Do not let the beverages touch the back of the wall to leave space for airflow and condensate drain area clear.

Leveling Legs

- Your appliance has two leveling legs which are located in the front bottom corners of your appliance. After properly placing your appliance in its final position, you can level your appliance.
- Leveling legs can be adjusted by turning them clockwise to raise your appliance or by turning them counterclockwise to lower your appliance. The door will close easier when the leveling legs are extended.

CARE AND MAINTENANCE

Cleaning Your Appliance

- Upon installation of your new appliance, it is recommended that it be cleaned thoroughly.
- Turn off the appliance first and then unplug the unit from the wall outlet.
- Remove all contents.
- Wash the inside with a damp warm cloth soaked in lukewarm water and baking soda solution. The solution should be about 2 tablespoons of baking soda to a quart of water.
- Be sure to keep the door gasket (seal) clean to keep the unit running efficiently.
- The outside of the appliance should be cleaned with mild detergent and warm water.
- Dry the interior and exterior with a soft cloth.

Changing the Inner Light

- Before removing the inner light, turn off the appliance first and then unplug the unit from the wall outlet. Failure to do so could result in electrical shock or personal injury.
- Using a screwdriver, remove the two screws from the clear plastic cover.
- Tilt the panel towards the front of the appliance and unscrew the LED board from the black plastic spacer.
- Gently unclip the power cable from the red socket insert on the LED board.
- Insert the power cable into the red socket insert on the replacement LED board.
- Position within the black plastic spacer.
- Reassemble the LED board, spacer and cover together using the two screws.
- Reposition the panel and carefully enclose the cord within the LED housing.
- Reattach the clear plastic panel using two screws.

Important: The replacement of LED lamp can only be performed by an authorized technician.

Vacation Time

- Turn off the appliance first and then unplug the unit from the wall outlet.
- Remove all the contents.
- Clean the appliance.
- Leave the lid open slightly to avoid possible formation of condensation, mold, or odors.
- Use extreme caution in the case of children. The unit should not be accessible to child's play.
- **Short vacations:** Leave the appliance operating during vacations of less than three weeks.
- **Long vacations:** If the appliance will not be used for several months, remove all contents and unplug the power cord. Clean and dry the interior thoroughly. To prevent odor and mold growth, leave the door open slightly: blocking it open if necessary or have the door removed.

Moving Your Appliance

- Turn off the appliance first and then unplug the unit from the wall outlet.
- Remove all the contents.
- Securely tape down all loose items inside your appliance.
- Tape the doors shut.
- Be sure the appliance stays in the upright position during transportation.

Energy Saving Tips

- The appliance should be located in the coolest area of the room, away from heat producing appliances or heating ducts, and out of the direct sunlight.
- Let hot contents cool to room temperature before placing in the appliance. Overloading the appliance forces the compressor to run longer.
- Be sure to wrap contents properly, and wipe containers dry before placing them in the appliance. This cuts down on frost build-up inside the appliance.
- Organize and label contents to reduce door openings and extended searches. Remove as many items as needed at one time, and close the door as soon as possible.

TROUBLESHOOTING GUIDE

You can solve many common appliance problems easily, saving you the cost of a possible service call. Try the suggestions below to see if you can solve the problem before calling for service.

PROBLEM	POSSIBLE CAUSE
Appliance does not operate.	Not plugged in. The circuit breaker tripped or a blown fuse.
Compressor turns on and off frequently.	The room temperature is hotter than normal. A large amount of contents has been added to the appliance. The door is opened too often. The door is not closed completely. The temperature control is not set correctly. The door gasket does not seal properly. The appliance does not have the correct clearances. The appliance has recently been disconnected for a period of time. 4 hours are required for the appliance to cool down completely.
Temperature inside the appliance is too warm.	Temperature control is set too warm. Turn the control to a cooler setting and allow several hours for the temperature to stabilize. Door is kept open too long or is opened too frequently. Warm air enters the appliance every time the door is opened. Open the door less often. The door is not closed completely. The door gasket does not seal properly. A large amount of warm or hot contents might have been stored recently. Wait until the beverage cooler has had a chance to reach its selected temperature. The appliance has recently been disconnected for a period of time. 4 hours are required for the appliance to cool down completely.
Temperature inside the appliance is too cold.	Temperature control is set too cold. Turn the control to a warmer setting and allow several hours for the temperature to stabilize.
Temperature of external appliance surface is warm.	The exterior appliance walls can be as much as 30 °F warmer than room temperature. This is normal while the compressor works to transfer heat from inside the appliance cabinet.
Popping or cracking sound when compressor comes on.	Metal parts undergo expansion and contraction, as in hot water pipes. This is normal. Sound will level off or disappear as appliance continues to run.
Bubbling or gurgling sound, like water boiling.	Refrigerant (used to cool appliance) is circulating throughout the system. This is normal.
Vibrations.	Check to assure that the appliance is on a level surface. Floor is uneven or weak. Appliance rocks on the floor when it is moved slightly. Be sure floor can adequately support appliance. Level the appliance by putting wood or metal shims under part of the appliance. The appliance is touching the wall. Re-level the appliance and move it from the wall. See "Installation Instructions".
Moisture forms on inside appliance walls.	Weather is hot and humid, which increases internal rate of frost build-up. This is normal. Door is slightly open. Door is kept open too long, or is opened too frequently. Open the door less often. The door is not sealed properly.
Moisture forms on outside of appliance.	Door is slightly open, causing cold air from inside the appliance to meet warm moist air from outside.
The door will not close properly.	The appliance is not on a level surface. The gasket is dirty.



Limited Warranty

MC Appliance Corporation warrants each new appliance to be free from defects in material and workmanship, and agrees to remedy any such defect or to furnish a new part(s), at the company's option, for any part(s) of the unit that has failed during the warranty period. Parts and labor expenses are covered on this unit for a period of one year from the date of purchase. A copy of the dated sales receipt or invoice is required to receive warranty service, replacement or refund.

In addition, MC Appliance Corporation warrants the compressor (parts only) to be free from defects in material and workmanship for a period of five years. The consumer is responsible for all labor and transportation expenses related to the diagnosis and replacement of the compressor after the initial one-year warranty expires. In the event the unit requires replacement or refund under the terms of this warranty, the consumer is responsible for all transportation expenses to return the unit to our factory prior to receiving a replacement unit or refund. A copy of the dated sales receipt/invoice is required to receive warranty service, replacement or refund.

This warranty covers appliances in use within the contiguous United States, Alaska, Hawaii and Puerto Rico. This warranty does not cover the following:

- Damages due to shipping damage or improper installation.
- Damages due to misuse or abuse.
- Content losses due to failure of the unit.
- Inside components such as door panels, door shelves, racks, light bulbs, etc.
- Repairs performed by unauthorized service agents.
- Service calls that do not involve defects in material and workmanship such as instructions on proper use of the product or improper installation.
- Replacement or resetting of house fuses or circuit breakers.
- Failure of this product if used for other purposes than its intended purpose.
- Disposal costs for any failed unit not returned to our factory.
- Any delivery/installation costs incurred as the result of a unit that fails to perform as specified.
- Expenses for travel and transportation for product service if your appliance is located in a remote area where service by an authorized service technician is not available.
- The removal and reinstallation of your appliance if it is installed in an inaccessible location or is not installed in accordance with published installation instructions.
- Refunds for non repairable products are limited to the price paid for the unit per the sales receipt.
- This warranty is non transferable. This warranty applies only to the original purchaser and does not extend to any subsequent owner(s).

Limitations of Remedies and Exclusions:

Product repair in accordance with the terms herein, is your sole and exclusive remedy under this limited warranty. Any and all implied warranties including merchantability and fitness for a particular purpose are hereby limited to one year or the shortest period allowed by law. MC Appliance Corporation is not liable for incidental or consequential damages and no representative or person is authorized to assume for us any other liability in connection with the sale of this product. Under no circumstances is the consumer permitted to return this unit to the factory without the prior written consent of MC Appliance Corporation.

Some states prohibit the exclusion or limitation of incidental or consequential damages, or limitations on implied warranties. This warranty gives you specific legal rights, and you may also have other rights which vary from state to state.

Model	Parts & Labor	Compressor (Parts Only)	Type of Service
MCB34CHW	One Year	Five Years	Carry In
MCB34CHB	One Year	Five Years	Carry In
MCB34CHR	One Year	Five Years	Carry In
MCB34CHM	One Year	Five Years	Carry In

For Service or Assistance please call **888-775-0202** or visit us on the web at www.mcappliance.com to request warranty service or order parts.



**CNA International, Inc. d/b/a MC Appliance Corporation. All rights reserved.
Magic Chef® logo is a registered trademark of CNA International, Inc.**

www.mcappliance.com

Printed in China

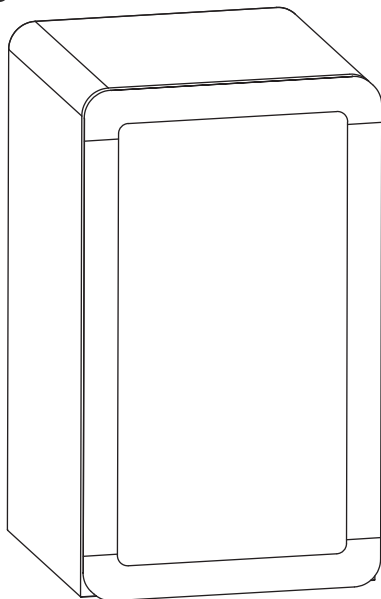


Magic Chef®

3.4 pies³

Enfriador de bebidas

Manual del usuario



Las especificaciones están sujetas a cambios sin previo aviso para mejorar el producto.

MCB34CHW / MCB34CHB / MCB34CHR / MCB34CHM

LEA ESTE MANUAL ANTES DE UTILIZAR SU REFRIGERADOR Y GUÁRDELO PARA FUTURA REFERENCIA.



Registración del producto

Gracias por comprar el producto Magic Chef®. El primer paso para proteger su nuevo producto es completar la forma de registración en nuestra página web: www.mcappliance.com/register. Los beneficios de registrar su producto incluyen lo siguiente:

1. Al registrar su producto nos permite contactarle para notificarle de un cambio de seguridad o actualización del producto.
2. Si llegara a necesitar servicio bajo garantía, registrando su producto nos permite ser más eficiente en procesar el servicio.
3. En el evento que usted tenga una pérdida que esta cubierto por un seguro, registrando su producto puede servir como prueba de su compra.

Una vez más gracias por comprar un producto marca Magic Chef®.

INSTRUCCIONES DE SEGURIDAD IMPORTANTES



Para reducir el riesgo de incendio, choque eléctrico o lesiones, siga estas precauciones básicas al usar su refrigerador.

- 1) ADVERTENCIA: mantenga las aberturas de ventilación, en el mismo aparato o en la estructura integrada, libres de obstrucciones.
- 2) ADVERTENCIA: no utilice dispositivos mecánicos u otros medios para acelerar la descongelación, más que los recomendados por el fabricante.
- 3) ADVERTENCIA: no dañe la tubería de refrigerante para aumentar el riesgo de una fuga al manejar, mover y usar el refrigerador.
- 4) ADVERTENCIA: no utilice aparatos eléctricos dentro de los compartimientos de almacenamiento de alimentos del aparato, a menos que sean del tipo recomendado por el fabricante.
- 5) ADVERTENCIA — PELIGRO: Nunca permita que los niños jueguen, hagan funcionar o se arrastren dentro del refrigerador. Existe el riesgo de que los niños queden atrapados. Antes de desechar su refrigerador:
 - Quite las puertas
 - Deje los estantes en su lugar para que los niños no puedan entrar con facilidad.
- 6) El aparato debe desconectarse antes de realizar mantenimiento del usuario en el dispositivo.
- 7) Este aparato puede ser utilizado por niños de al menos 8 años y por personas con discapacidades físicas, sensoriales o mentales, o con falta de experiencia y conocimientos, bajo supervisión o si han recibido instrucciones sobre cómo usar el dispositivo de manera segura y si comprenden los peligros implicados. Los niños no deben jugar con el aparato. Los niños no deben realizar la limpieza o el mantenimiento sin supervisión.
- 8) Si el componente está dañado, debe ser reemplazado por el fabricante, su agente de servicio técnico o persona similar calificada para evitar cualquier peligro.
- 9) Deseche el refrigerador de acuerdo con las normas locales ya que la unidad contiene refrigerante y gas inflamable.
- 10) Siga las normas locales con respecto a la eliminación del aparato debido al refrigerante inflamable y el gas. Todos los aparatos de refrigeración contienen refrigerantes que, bajo los lineamientos de la ley federal, deben ser eliminados antes de desecharlos. Es responsabilidad del consumidor cumplir con los reglamentos federales y locales al desechar este producto.
- 11) Este aparato está destinado al uso doméstico y en aplicaciones similares como:
 - áreas de cocina en tiendas, oficinas y otros entornos laborales;
 - casas rurales y para clientes en hoteles, moteles y otros entornos de tipo residencial;
 - entornos de tipo hospedaje;
 - servicios de comidas y otras aplicaciones no comerciales similares.
- 12) No almacene ni use gasolina o cualquier licor y líquidos inflamables dentro o en las proximidades del refrigerador.
- 13) No utilice alargadores con este aparato. Si el cable de alimentación es demasiado corto, haga que un electricista calificado instale un tomacorriente cerca del aparato. El uso de una extensión puede afectar negativamente el rendimiento de la unidad.



Atención: peligro de incendio



ES PELIGROSO PARA CUALQUIER PERSONA QUE NO SEA PERSONAL DE SERVICIO AUTORIZADO LLEVAR A CABO LOS SERVICIOS O LAS REPARACIONES QUE IMPLIQUEN LA EXTRACCIÓN DE LAS CUBIERTAS.

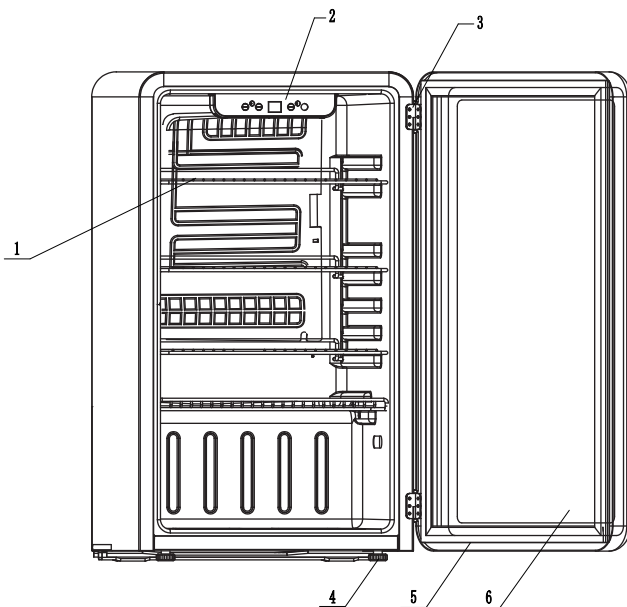


PARA EVITAR EL RIESGO DE UN CHOQUE ELÉCTRICO, NO INTENTE REPARARLO USTED MISMO.

INDICE DE MATERIAS

NOMBRE DE LAS PIEZAS.....	2
ESPECIFICACIONES.....	3
INSTRUCCIONES DE INSTALACIÓN	
ANTES DE USAR EL DISPOSITIVO.....	4
INSTALACIÓN DE EQUIPOS.....	4
CONEXIÓN ELÉCTRICA.....	4
CÓMO OPERAR EL APARATO.....	5
CONTROL DE TEMPERATURA.....	5
PATAS DE NIVELACIÓN.....	5
CUIDADO Y MANTENIMIENTO.....	6
LIMPIEZA DEL APARATO.....	6
CAMBIO DE LA ILUMINACIÓN INTERIOR.....	6
TIEMPO DE VACACIONES.....	6
MUDANZA DEL APARATO.....	6
CONSEJOS ÚTILES SOBRE AHORRO DE ENERGÍA.....	6
GUÍA DE SOLUCIÓN DE PROBLEMAS.....	7
GARANTÍA DEL EQUIPO.....	8

NOMBRE DE LAS PIEZAS



- (1) Estante de alambre
- (2) Termostato electrónico ajustable con pantalla digital
- (3) Bisagra para puerta
- (4) Patas de nivelación ajustables
- (5) Junta de puerta
- (6) Puerta de vidrio coloreado de doble panel

ESPECIFICACIONES - Modelo N° MCB34CHW.CHB.CHR.CHM

Descripción del producto	Magic Chef Enfriador de bebidas		
Modelo No.	MCB34CHW.CHB.CHR.CHM		
Capacidad	3.4 pies ³		
Dimensiones (pulgadas) de unidad	Anchura	Altura	Profundidad
	17.52"	30.70"	19.70"
Peso neto	52.9 (lbs)		



PELIGRO – Riesgo de incendios o explosiones. Se utiliza un refrigerante inflamable. Las reparaciones debe efectuarla solamente personal de servicio capacitado. No perforo las tuberías del refrigerante.

PRECAUCIÓN – Riesgo de incendios o explosiones. Se utiliza un refrigerante inflamable. Consulte el manual de reparaciones o la guía del propietario antes de intentar darle servicio a este producto. Deben seguirse todas las precauciones de seguridad.

PRECAUCIÓN– Riesgo de incendios o explosiones. Deshágase del producto adecuadamente, de acuerdo con las regulaciones federales o locales. Se utiliza un refrigerante inflamable.

PRECAUCIÓN – Riesgo de incendios o explosiones. Para evitar la perforación de las tuberías del refrigerante, siga cuidadosamente las instrucciones de manipulación. Se utiliza un refrigerante inflamable.

INSTRUCCIONES DE INSTALACIÓN

Antes de utilizar el dispositivo

- Retire el embalaje exterior e interior.
- Mantenga el dispositivo erguido durante aproximadamente 4 horas antes de conectarlo a la fuente de alimentación. Esto reducirá la probabilidad de fallo del sistema de refrigeración debido a un funcionamiento inadecuado durante el transporte.
- Limpie la superficie interna con un paño suave y agua caliente. (página 7 instrucciones de limpieza)

Instalar su dispositivo

- Este dispositivo está diseñado para ser independiente y no puede ser integrado o incorporado.
- Coloque su equipo en un piso lo suficientemente fuerte como para soportar el equipo a plena carga.
- Dejar un espacio de 5 pulgadas entre la parte posterior y los lados del equipo para una ventilación adecuada. Ajuste los pies para mantener el nivel del equipo.
- El equipo debe mantenerse alejado de la luz solar directa y del calor (horno, calentador, radiador, etc.). La luz solar directa puede afectar a los recubrimientos acrílicos y las fuentes de calor pueden aumentar el consumo de energía. La temperatura ambiente por debajo de 55°F puede afectar el rendimiento del equipo. Este dispositivo no es adecuado para garaje o cualquier otra instalación al aire libre.
- Evite colocar el equipo en zonas húmedas.
- Conecte el equipo a un enchufe especial de pared de tierra correctamente instalado. En ningún caso cortar o quitar la tercera horquilla (puesta a tierra) del cable de alimentación. Cualquier pregunta sobre la fuente de alimentación y / o la puesta a tierra debe ser presentada al electricista certificado o al Centro de servicio autorizado. El dispositivo no es adecuado para su instalación en RV o para su uso con inversores.
- Después de insertar el dispositivo en el enchufe de la pared, encienda el dispositivo, deje que el dispositivo se enfríe durante 2 - 3 horas, y luego ponga la bebida en el dispositivo.

Conexión eléctrica

⚡ ADVERTENCIA ⚡

El uso inadecuado de los enchufes de tierra puede dar lugar a un riesgo de choque eléctrico. Si el cable de alimentación está dañado, debe ser reemplazado por un centro de servicio autorizado.

Para su seguridad, este dispositivo debe estar conectado a tierra correctamente. El cable de alimentación del dispositivo está equipado con un enchufe de tres puntas que coincide con un enchufe de pared de tres puntas estándar para minimizar la posibilidad de choque eléctrico.

En ningún caso, desconecte o retire la tercera horquilla de tierra de la línea de alimentación.

El equipo necesita un enchufe estándar de 115 V / 60 Hz con puesta a tierra trigeminal.

Este equipo no está diseñado para inversores.

El cable de alimentación se fijará detrás del equipo y no se expondrá ni enrollará para evitar lesiones accidentales.

Nunca desconecte el refrigerador tirando del cable de alimentación. Siempre sujete firmemente el enchufe y Sáquelo directamente del enchufe.

No utilice el cable de extensión en este dispositivo. Si el cable de alimentación es demasiado corto, por favor Electricista o técnico de mantenimiento para instalar enchufes cerca del equipo. El uso de cables de extensión puede tener un impacto negativo en el rendimiento del dispositivo.

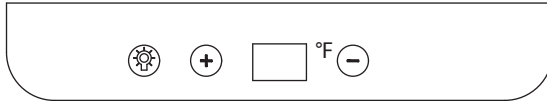
Si el dispositivo sigue teniendo algún problema, póngase en contacto con nuestro Departamento de atención al cliente para solicitar servicios de garantía a través de 888 775 - 0202 representantes de consulta, o visite nuestro sitio web www.mcappliance.com.

CÓMO OPERAR EL APARATO

Control de temperatura

Para ajustar la temperatura, presione y mantenga apretado el botón con el ICONO DE LUZ en el PANEL DE CONTROL. Suelte el botón una vez que comiencen a destellar los números en la pantalla. El destello del LED es un indicador de que el termostato está listo para ser ajustado.

- TOQUE + para aumentar la temperatura.
- TOQUE - para disminuir la temperatura.
- La pantalla mostrará el valor de la temperatura configurado.
- Se puede apagar o encender manualmente la luz presionando el botón con el icono LUZ (Presión breve/toque solamente).



• **NOTA**

- Si se desenchufa el equipo, pierde potencia: esperar 3-5 minutos antes de volverlo a encender.
- Si usted escoge cambiar la configuración del termostato, ajuste el control del termostato y espere que pasen varias horas hasta que la temperatura se establezca entre los ajustes.
- Una gran cantidad de bebidas disminuirá la eficacia de enfriamiento del aparato.
- No permita que las bebidas toquen la parte posterior de la pared para que quede espacio para la circulación de aire y los condensados se drenen.

Patas de nivelación

- El aparato tiene dos patas de nivelación ubicadas en las esquinas delanteras inferiores. Luego de ubicar el aparato en su posición definitiva, puede nivelarlo.
- Para levantar el aparato, se giran las patas de nivelación se ajustan en sentido de las agujas del reloj mientras que para bajarlo, se hacen girar en sentido contrario. La puerta cerrará con más facilidad cuando las patas de nivelación están extendidas.

CUIDADO Y MANTENIMIENTO

Limpieza del aparato

- Al instalar su nuevo electrodoméstico, se recomienda que se limpie a fondo.
- Primero apague el electrodoméstico y luego desenchufe la unidad del tomacorriente en la pared.
- Retire todo el contenido.
- Lave el interior con un paño húmedo y tibio empapado en agua tibia y una solución de bicarbonato de sodio. La solución debería ser aproximadamente de 2 cucharadas de bicarbonato por cada litro de agua.
- Asegúrese de mantener el burlete (sello) de la puerta limpio para mantener un funcionamiento eficiente de la unidad.
- El exterior del electrodoméstico debe limpiarse con un detergente suave y agua tibia.
- Seque el interior y el exterior con un paño suave.

Cambio de la iluminación interior

- Antes de quitar la iluminación interior, apague primero el aparato y luego desenchúfelo del tomacorriente. No hacerlo podría resultar en descargas eléctricas o lesiones personales.
- Con un destornillador, retire los dos tornillos de la tapa de plástico transparente.
- Incline el panel hacia el frente del aparato y desatornille la placa LED del espaciador de plástico negro.
- Con suavidad desenganche el cable de potencia del inserto con la ranura roja en la placa LED.
- Inserte el cable de potencia en el inserto de la ranura roja sobre la placa LED de reemplazo.
- Posicione dentro del espaciador de plástico negro.
- Vuelva a montar la placa LED, el espaciador y la tapa usando los dos tornillos.
- Vuelva a posicionar el panel y con cuidado resguarde el cordón dentro del alojamiento del LED.
- Vuelva a poner el panel de plástico transparente usando los dos tornillos.

Importante: El reemplazo de la lámpara LED solamente debe ser realizado por un técnico autorizado.

Tiempo de vacaciones

- Primero apague el electrodoméstico y luego desenchúfelo del tomacorriente en la pared.
- Retire todo el contenido.
- Limpie el electrodoméstico.
- Deje la tapa levemente abierta para evitar la posible formación de condensación, moho u olores.
- Proceda con precaución extrema en el caso de involucrar niños. La unidad no debería quedar accesible para el juego de los niños.
- **Vacaciones breves:** deje el aparato en funcionamiento durante las vacaciones de menos de tres semanas.
- **Vacaciones prolongadas:** Si el aparato no se utilizará durante varios meses, saque todo el contenido y desenchufe el cable de conexión. Limpie y seque bien el interior. Para evitar el crecimiento de moho u olores, deje la puerta levemente abierta, incluso poniendo algún elemento que impida que se cierre en caso de ser necesario o bien quítele la puerta.

Mudanza del aparato

- Primero apague el electrodoméstico y luego desenchufe la unidad del toma de pared.
- Retire todo el contenido.
- Asegure con cinta adhesiva todos los artículos sueltos dentro de su electrodoméstico.
- Cierre las puertas con cinta adhesiva.
- Asegúrese de que el electrodoméstico se mantenga en posición vertical durante su transporte.

Consejos útiles sobre ahorro de energía

- El electrodoméstico debería ubicarse en el lugar más fresco del ambiente, alejado de artefactos generadores de calor o conductos de calefacción, y fuera de la luz solar directa.
- Deje que se enfrien los contenidos calientes hasta que queden a temperatura ambiente antes de colocarlos en el electrodoméstico. Cargar el electrodoméstico en exceso exige al compresor funcionar por más tiempo.
- Asegúrese de envolver correctamente los contenidos y seque sus contenedores antes de colocarlos en el electrodoméstico. Esto reduce la posibilidad de acumulación de hielo dentro del electrodoméstico.
- Organice y etiquete el contenido para reducir los tiempos de apertura de puertas y búsquedas prolongadas. Quite todos los elementos que necesite de una sola vez y luego cierre la puerta lo antes posible.

GUÍA DE SOLUCIÓN DE PROBLEMAS

Usted puede resolver fácilmente muchos problemas comunes del dispositivo, ahorrando así los posibles costos de llamada de servicio. Pruebe las siguientes sugerencias para ver si puede resolver el problema antes de llamar al servicio.

PROBLEMA	CAUSA POSIBLE
El dispositivo no funciona.	No hay energía conectada. El interruptor se activa o el fusible se funde.
Interruptor frecuente del compresor.	La temperatura ambiente es superior a la temperatura normal. Se ha a ñadido mucho contenido al dispositivo. La puerta se abre demasiado a menudo. La puerta no estaba completamente cerrada. El control de temperatura no está configurado correctamente. La Junta de la puerta no está bien sellada. El aclaramiento del equipo es incorrecto. El dispositivo ha estado desconectado durante algún tiempo. El equipo tarda 4 horas en enfriarse completamente.
La temperatura interna del equipo es demasiado alta.	El control de temperatura está demasiado caliente. Gire el control a la configuración del refrigerador Mantenga la temperatura estable durante varias horas. La puerta se abre demasiado tiempo o demasiado a menudo. Entrada de aire caliente Use cada vez que abra la puerta. Menos puertas. La puerta no estaba completamente cerrada. La Junta de la puerta no está bien sellada. Recientemente puede haber una gran cantidad de contenido caliente o caliente almacenado. Espere a que el enfriador de bebidas tenga la oportunidad de alcanzar su temperatura seleccionada. El dispositivo ha estado desconectado durante algún tiempo. El equipo tarda 4 horas en enfriarse completamente.
La temperatura interna del equipo es demasiado baja.	El control de temperatura está demasiado bajo. Gire el control a un ajuste más caliente y espere unas horas para estabilizar la temperatura.
La temperatura de la superficie exterior del aparato es mayor.	La temperatura de la pared exterior del equipo puede ser 30°F superior a la temperatura ambiente. Esto es normal cuando el compresor transmite calor desde el interior del armario eléctrico.
El compresor estalló al arrancar.	Las partes metálicas se expanden y contraen, como en las tuberías de agua caliente. Es normal. A medida que el dispositivo continúa funcionando, el sonido se aplana o desaparece.
Burbujas o cacareos, como agua hirviendo.	El refrigerante (utilizado en equipos de refrigeración) circula por todo el sistema. Es normal.
Vibración.	Compruebe que el equipo está en el nivel. El piso es desigual o blando. Los aparatos eléctricos se balancean en el suelo cuando se mueven suavemente. Asegúrese de que el piso soporta adecuadamente el equipo. Coloque una Junta de madera o metal debajo de los componentes del equipo para nivelar el equipo. El aparato eléctrico se estrelló contra la pared. Nivelar el dispositivo y sacarlo de la pared. Consulte las instrucciones de instalación.
La humedad se forma en la pared interna del aparato eléctrico.	Hace calor y humedad, lo que aumenta la velocidad de congelación interna. Es normal. La puerta se abrió. La puerta se abre demasiado tiempo o demasiado a menudo. Menos puertas. La puerta no está sellada.
La humedad se forma fuera del aparato.	La puerta se abrió para que el aire frío del Interior del dispositivo se encontrara con el aire húmedo y caliente del exterior.
La puerta no se cierra bien.	El equipo no está en la superficie horizontal. La lavadora está sucia.



Garantía limitada

MC Appliance Corporation garantiza que todas las Refrigerador compacto carecen de defectos en el material y la mano de obra y acuerda solucionar cualquiera de estos defectos o instalar la(s) parte(s) nueva(s) (a elección de la compañía) en caso de que la unidad haya fallado durante el periodo de garantía. Las partes y gastos de reparación están cubiertos en esta unidad por un periodo de un año a partir de la fecha de compra. Es necesario presentar una copia del recibo o factura de compra con fecha para obtener los servicios de la garantía, el reemplazo o el reembolso.

Además MC Appliance corporation autoriza el compresor (piezas solamente) para estar libre de defectos en material y la ejecución por un periodo de cinco años. El consumidor es responsable de todo el trabajo y los costos del transporte relacionados con la diagnosis y el reemplazo del compresor después de las uno garantías inicial del año expiran. Si en el acontecimiento la unidad requiere el reemplazo o el reembolso bajo términos de esta garantía el consumidor es responsable de todos los costos del transporte volver la unidad a nuestra fábrica antes de recibir una unidad o un reembolso del reemplazo.

Esta garantía cubre los aparatos que se usen dentro de los Estados Unidos contiguos, Alaska, Hawai y Puerto Rico. La garantía no cubre lo siguiente:

- Daños debido al daño del envío o a la instalación incorrecta.
- Daños debido al mal uso o abuso.
- Pérdidas de contenido debido a falla de la unidad.
- Componentes internos como paneles de puertas, estantes en la puerta, estantes, bombillas, etc.
- Las reparaciones se realizaron por los agentes desautorizados del servicio.
- Llamadas de servicio que no implican defectos en material y la ejecución tal como instrucción en el uso apropiado del producto o de la instalación incorrecta.
- Reemplazo o reajuste de los fusibles o de los interruptores de la casa.
- Falla de este producto si se usa con fines distintos a los que fue diseñado.
- Costes de la disposición de unidades falladas no vueltas a nuestra fábrica.
- Todos los gastos de entrega/instalación incurridos como resultado de una unidad que no cumple con lo especificado.
- Gastos de viajes y el transporte de los productos principales de servicio si su aparato está situado en una zona remota donde el servicio por un técnico de servicio no está disponible.
- La remoción y reinstalación de su gran aparato, si está instalado en un lugar inaccesible o no está instalado de conformidad con las instrucciones de instalación publicadas.
- Restituciones por productos no reparables se limita al precio pagado por la unidad por el recibo de compra.
- Esta garantía es intransferible. Esta garantía es válida exclusivamente para el comprador original y no se extiende a ningún otro propietario o propietarios subsiguientes.

Limitaciones de remedios y exclusiones:

La reparación del producto de acuerdo con los términos de este documento, es el único y exclusivo remedio determinado en esta garantía limitada. Todas y cada una de las garantías implicadas, incluyendo la calidad de comerciable y capacidad para un propósito particular, se limitan mediante la presente a un año o el periodo más corto permitido por la ley. MC Appliance Corporation no es responsable por daños incidentales ni resultantes y ningún representante o persona alguna están autorizados para asumir de parte nuestra ninguna otra responsabilidad en relación con la venta de este producto. Bajo ninguna circunstancia se le permite al consumidor regresar esta unidad a la fábrica sin consentimiento previo por escrito de MC Appliance Corporation.

Algunos estados prohíben la exclusión o limitación por daños incidentales o resultantes, o limitaciones en las garantías implícitas. Esta garantía le otorga a usted derechos legales específicos, y usted puede también tener otros derechos que varían según la entidad federalva donde se encuentre.

Modelo	Piezas & Trabajo	Compresor (Parte solamente)	Tipo de servicio
MCB34CHW	Uno año	Cinco años	Lleve adentro
MCB34CHB	Uno año	Cinco años	Lleve adentro
MCB34CHR	Uno año	Cinco años	Lleve adentro
MCB34CHM	Uno año	Cinco años	Lleve adentro

Para servicio o asistencia, llame por favor al 888-775-0202. O visítenos en www.mcappliance.com para solicitar el servicio de garantía o repuestos.



**CNA International, Inc. realiza negocios bajo el nombre de MC Appliance Corporation.
Derechos reservados.**

El logotipo Magic Chef® es una marca registrada de CNA International, Inc.

www.mcappliance.com

Impreso en China