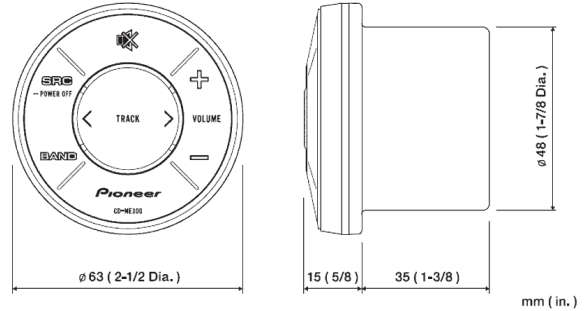




CD-ME300 Wired Marine Remote Control with IPX7 Rating Compatible with Marine Headunits



- IPX7 Certified
- 25' Cable Extension Included
- Large, Illuminated Keypad
- Textured, Convex-Shaped Buttons



FEATURES

ME-Series

The Pioneer Marine series now has a variety of choices to meet the open water starting with Pioneer digital receivers, speakers, subwoofers, amplifiers and accessory kits. Visit www.pioneerelectronics.com for more information about our other products we offer to make your water experience delightful.



Designed for Marine Use

This device is rated IPX7 using the Ingress Protection rating system. The device has been tested in a controlled environment and shown to be water resistant in certain circumstances (meets requirements of classification IPx7 as described by the international standard IEC 60529 - Degrees of Protection provided by Enclosures [IP Code]). Despite this classification, the device is not impervious to water damage in any situation. Liquid damage is not covered under warranty.



Pioneer Marine Remote Control	CD-ME300
Ingress Protection	IPX7
Outer Diameter	63 mm (2-1/2")
Cutout Diameter	48 mm (1-7/8")
Extension Cable	Included (25')
Mounting Hardware	Included
Compatible Headunit	MVH-MS512BS, MVH-MS310BT

For full specifications and other Pioneer products, visit www.pioneerelectronics.com

CAUTION: Read all safety instructions in the product documentation before use. Distracted driving can result in serious injury or death. Only use a function when it is safe and legal in your location, pay attention to the road and your surroundings, and obey all traffic rules.

Android is a trademark of Google LLC. Apple iPhone and the Made for iPhone logo are trademarks of Apple Inc., registered in the US and other countries. All other brand, product names, or logos are trademarks or registered trademarks of their respective holders.

Pioneer Electronics (USA) Inc., Post Office Box 1760, Long Beach, California 90801

Pioneer Customer Service Department: 1-800-PIONEER

Note: Specifications, designs, and user interfaces are subject to modification without notice. Product colors and illumination may differ in photographs from actual appearance due to effects of printing and photography.

Availability of non-Pioneer content and services, including apps and connectivity, may change without notice due to changes in operating systems, firmware or app versions; changes to, restrictions on or discontinuation of the service or service plans; non-Pioneer hardware changes; or other events.

Pioneer Electronics (USA) Inc. proudly supports and encourages you to support the Consumer Technology Association (CTA), Mobile Electronics Certification Program (MECP) for installers and the Specialty Equipment Market Association (SEMA).

Protect your investment. Purchase from an Authorized Pioneer Dealer. Only products purchased from an Authorized Pioneer Dealer (or Authorized Pioneer Internet Dealer) qualify for the manufacturer's warranty and manufacturer's rebates.

PIONEER and the Pioneer logo are trademarks or registered trademarks of Pioneer Corporation.



CHECK OUT MORE AT PIONEERELECTRONICS.COM/CAR

FACEBOOK.COM/PIONEERNORTHAMERICA

TWITTER.COM/PIONEERUSA

INSTAGRAM.COM/PIONEERCARAUDIO

YOUTUBE.COM/PIONEERELECTRONICS

©2020 Pioneer Electronics (USA) Inc. CD-ME300 - 05/01 v2