



### INTERFACE COMPONENTS

- AXDIS-FD3 interface
- AXDIS-FD3 harness
- 16-pin harness
- 3.5mm adapter

### APPLICATIONS

Ford	Model	Year
E Series	2021-Up	F250/F350/F450/F550
Eco Sport	2020-Up	Transit
Escape	2020-Up	Transit Connect

## Ford Data Interface with SWC 2019-UP

### INTERFACE FEATURES

- Provides accessory power (12-volt 10-amp)
- Retains R.A.P. (retained accessory power)
- Provides NAV outputs (parking brake, reverse, speed sense)
- Retains audio controls on the steering wheel
- Designed for non-amplified models
- Retains balance and fade
- Micro-B USB updatable

**Note:** The AXDIS-FD3 does not retain SYNC.

Visit [AxxessInterfaces.com](http://AxxessInterfaces.com) for up-to-date vehicle specific applications.

### Product Info



### TABLE OF CONTENTS

Connections.....	2-4
Installation .....	4
Programming.....	4
Steering wheel control settings .....	5-7
- L.E.D. feedback .....	5
- Changing radio type .....	5
- Remapping .....	6
- Dual assignment instructions .....	7
Troubleshooting.....	8

### TOOLS & INSTALLATION ACCESSORIES REQUIRED

- Crimping tool and connectors, or solder gun, solder, and heat shrink
- Tape
- Wire cutter
- Zip-ties

**ATTENTION:** With the key out of the ignition, disconnect the negative battery terminal before installing this product. Ensure that all installation connections, especially the air bag indicator lights, are plugged in before reconnecting the battery or cycling the ignition to test this product.

**NOTE:** Refer also to the instructions included with the aftermarket radio.

### From the 16-pin harness to the aftermarket radio, connect the:

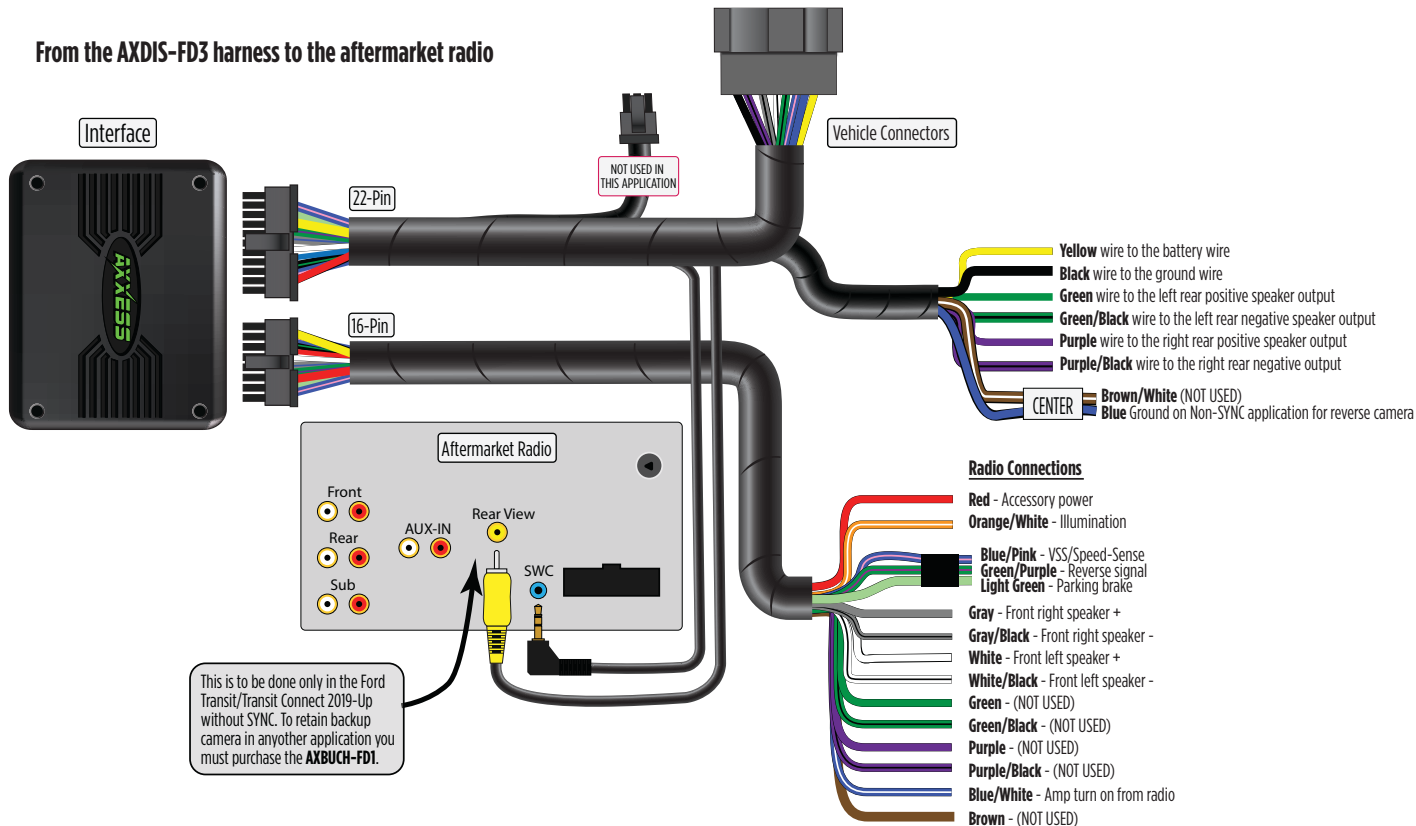
- **Red** wire to the accessory wire.
- **Orange/White** wire to the illumination wire (if applicable).
- **Brown** wire to the mute wire, only if equipped with SYNC (if applicable).  
**Note:** If the mute wire is not connected, the radio will turn off when SYNC is activated.
- **Gray** wire to the right front positive speaker output.
- **Gray/Black** wire to the right front negative speaker output.
- **White** wire to the left front positive speaker output.
- **White/Black** wire to the left front negative speaker output.

*The following (3) wires are only for multimedia/navigation radios that require these wires.*

- **Blue/Pink** wire to the VSS/speed sense wire.
- **Green/Purple** wire to the reverse wire.
- **Light Green** wire to the parking brake wire
- Tape off and disregard the following (5) wires, they will not be used in this application:  
**Blue/White, Green, Green/Black, Purple, Purple/Black.**

# CONNECTIONS (CONT)

## From the AXDIS-FD3 harness to the aftermarket radio



## CONNECTIONS (CONT)

### 3.5mm jack steering wheel control retention:

- The 3.5mm jack is to be used to retain audio controls on the steering wheel.
- **For the radios listed below:** Connect the **3.5mm adapter** to the male 3.5mm SWC jack from the **AXDIS-FD3 harness**. Any remaining wires tape off and disregard.
  - **Eclipse:** Connect the steering wheel control wire, normally **Brown**, to the **Brown/White** wire of the connector. Then connect the remaining steering wheel control wire, normally **Brown/White**, to the **Brown** wire of the connector.
  - **Metra OE:** Connect the steering wheel control Key 1 wire (**Gray**) to the **Brown** wire.
  - **Kenwood or select JVC with a steering wheel control wire:** Connect the **Blue/Yellow** wire to the **Brown** wire.  
**Note:** If your Kenwood radio auto detects as a JVC, manually set the radio type to Kenwood. See the instructions under changing radio type.
  - **XITE:** Connect the steering wheel control SWC-2 wire from the radio to the **Brown** wire.
  - **Parrot Asteroid Smart or Tablet:** Connect the 3.5mm jack into the AXSWCH-PAR (sold separately), and then connect the 4-pin connector from the AXSWCH-PAR into the radio.  
**Note:** The radio must be updated to rev. 2.1.4 or higher software.
  - **Universal “2 or 3 wire” radio:** Connect the steering wheel control wire, referred to as Key-A or SWC-1, to the **Brown** wire of the connector. Then connect the remaining steering wheel control wire, referred to as Key-B or SWC-2, to the **Brown/White** wire of the connector. If the radio comes with a third wire for ground, disregard this wire.  
**Note:** After the interface has been programmed to the vehicle, refer to the manual provided with the radio for assigning the SWC buttons. Contact the radio manufacturer for more information.
- **For all other radios:** Connect the 3.5mm jack from the **AXDIS-FD3 harness** into the jack on the aftermarket radio designated for an external steering wheel control interface. Please refer to the aftermarket radios manual if in doubt as to where the 3.5mm jack connects.

## INSTALLATION

### With the key in the off position:

- Connect the **16-pin harness**, and the **AXDIS-FD3 harness**, into the **AXDIS-FD3 interface**.

**Attention!** Do not connect the **AXDIS-FD3 harness** to the wiring harness in the vehicle just yet.

**Attention!** If retaining steering wheel controls, ensure that the jack/wire is connected to the radio before proceeding. If this step is skipped, the interface will need to be reset for the steering wheel controls to function.

## PROGRAMMING

For the steps below, the L.E.D. located inside the interface can only be seen while active. The interface does not need to be opened to see the L.E.D.

1. Start the vehicle.
2. Connect the **AXDIS-FD3 harness** to the wiring harness in the vehicle.
3. The L.E.D. will initially turn on solid **Green**, then turn off for a few seconds while it auto detects the radio installed.
4. The L.E.D. will then flash **Red** up to (23) times indicating which radio is connected to the interface, and then turn off for a couple of seconds. Pay close attention to how many **Red** flashes there are. This will help in troubleshooting, if need be. Refer to the L.E.D. feedback section for more information.
5. After a couple seconds the L.E.D. will turn on solid **Red** while the interface auto detects the vehicle. The radio will shut off at this point. This process should take 5 to 30 seconds.
6. Once the vehicle has been auto detected by the interface, the L.E.D. will turn on solid **Green**, and the radio will come back on, indicating programming was successful.
7. Test all functions of the installation for proper operation, before reassembling the dash. If the interface fails to function, refer to **Troubleshooting** section.  
**Note:** The L.E.D. will turn on solid **Green** for a moment, and then turn off under normal operation after the key has been cycled.

# STEERING WHEEL CONTROL SETTINGS

## L.E.D. feedback

The (23) **Red** L.E.D. flashes represent what brand radio the AXDIS-FD3 believes it is connected to. Each flash represents a different radio manufacturer. For example, if you are installing a JVC radio, the AXDIS-FD3 will flash (5) times. Following is a legend that dictates which manufacturer corresponds to which flash.

## L.E.D. feedback legend

1st flash is for Eclipse (Type 1) †	13th flash is for LG
2nd flash is for Kenwood ‡	14th flash is for Parrot **
3rd flash is for Clarion (Type 1) †	15th flash is for XITE
4th flash is for Sony/Dual	16th flash is for Phillips
5th flash is for JVC	17th flash is TBD
6th flash is for Pioneer/Jensen	18th flash is for JBL
7th flash is for Alpine *	19th flash is for INSANE
8th flash is for Visteon	20th flash is for MAGNADYNE
9th flash is for Valor	21st flash is for BOSS
10th flash is for Clarion (Type 2) †	22nd flash is for AXXERA
11th flash is for Metra OE	23rd flash is for AXXERA (TYPE 2)
12th flash is for Eclipse (Type 2) †	

\* **Note:** If the AXDIS-FD3 flashes Red (7) times, and you do not have an Alpine radio connected to it, that means the AXDIS-FD3 does not detect a radio connected to it. Verify that the 3.5mm jack is connected to the correct steering wheel jack/wire in the radio.

\*\* **Note:** Part number AXSWCH-PAR is required (sold separately). Also, the Parrot radio must be updated to rev. 2.1.4 or higher through [www.parrot.com](http://www.parrot.com).

† **Note:** If you have a Clarion radio and the steering wheel controls do not work, change the radio type to the other Clarion radio type; same for Eclipse. The following section explains how to do this.

‡ **Note:** If you have a Kenwood radio and the L.E.D. feedback comes back as showing as a JVC radio, change the radio type to a Kenwood. The following section explains how to do this.

**Attention:** The Axxess Updater App can also be used to program the following (3) sub-sections as well, pending that the interface has been initialized and programmed.

## Changing radio type

If the LED flashes do not match the radio you have connected, you must manually program the AXDIS-FD3 to tell it what radio it is connected to.

1. After (3) seconds of turning the key on, press and hold the Volume-Down button on the steering wheel until the L.E.D. in the AXDIS-FD3 goes solid.
2. Release the Volume-Down button; the L.E.D. will go out indicating we are now in Changing Radio Type mode.
3. Refer to the Radio Legend to know which radio number you would like to have programmed.
4. Press and hold the Volume-Up button until the L.E.D. goes solid, and then release. Repeat this step for the desired radio number you have selected.
5. Once the desired radio number has been selected, press and hold the Volume-Down button on the steering wheel until the L.E.D. goes solid. The L.E.D. will remain on for about (3) seconds while it stores the new radio information.
6. Once the L.E.D. goes off, the Changing Radio Type mode will then end. You can now test the steering control wheel controls.

**Note:** If at any time the user fails to press any button for a period longer than (10) seconds, this process will abort.

*Continued on the next page*

## STEERING WHEEL CONTROL SETTINGS (CONT)

### Radio legend

- |                     |                      |                     |
|---------------------|----------------------|---------------------|
| 1. Eclipse (Type 1) | 9. Valor             | 17. TBD             |
| 2. Kenwood          | 10. Clarion (Type 2) | 18. JBL             |
| 3. Clarion (Type 1) | 11. Metra OE         | 19. Insane          |
| 4. Sony/Dual        | 12. Eclipse (Type 2) | 20. Magnadyne       |
| 5. JVC              | 13. LG               | 21. Boss            |
| 6. Pioneer/Jensen   | 14. Parrot           | 22. Axxera          |
| 7. Alpine           | 15. XITE             | 23. Axxera (Type 2) |
| 8. Visteon          | 16. Phillips         |                     |

### Remapping the steering wheel control buttons

Let's say you have AXDIS-FD3 initialized and you want to change the button assignment for the steering wheel control buttons. For example, you would like Seek-Up to become Mute. Follow the steps below to remap the steering wheel control buttons:

1. Ensure the AXDIS-FD3 is visible so you can see the L.E.D. flashes to confirm button recognition.  
**Tip:** Turning the radio off is recommended.
2. Within the first twenty seconds of turning the ignition on, press and hold the Volume-Up button on the steering wheel until the L.E.D. goes solid.
3. Release the Volume-Up button, the L.E.D. will then go out; The Volume-Up button has now been programmed.
4. Follow the list in the Button Assignment Legend to reference the order in which the steering wheel control buttons need to be programmed.  
**Note:** If the next function on the list is not on the steering wheel, press the Volume-Up button for (1) second until the L.E.D. comes on, and then release the Volume-Up button. This will tell the AXDIS-FD3 that this function is not available and it will move on to the next function.
5. To complete the remapping process, press and hold the Volume-Up button on the steering wheel until the L.E.D. in the AXDIS-FD3 goes out.

### Button assignment legend

- |                   |                          |
|-------------------|--------------------------|
| 1. Volume-Up      | 10. Band                 |
| 2. Volume-Down    | 11. Play/Enter           |
| 3. Seek-Up/Next   | 12. PTT (Push to Talk) * |
| 4. Seek-Down/Prev | 13. On-Hook *            |
| 5. Source/Mode    | 14. Off-Hook *           |
| 6. Mute           | 15. Fan-Up **            |
| 7. Preset-Up      | 16. Fan-Down **          |
| 8. Preset-Down    | 17. Temp-Up **           |
| 9. Power          | 18. Temp-Down **         |

\* Not applicable if the vehicle is equipped with SYNC

\*\* Not applicable in this application

**Note:** Not all radios will have all of these commands. Please refer to the manual provided with the radio, or contact the radio manufacturer for specific commands recognized by that particular radio.

*Continued on the next page*

### Dual assignment instructions (long button press)

The AXDIS-FD3 has the capability to assign (2) functions to a single button, except Volume-Up and Volume-Down. Follow the steps below to program the button(s) to your liking.

**Note:** Seek-Up and Seek-Down come pre-programmed as Preset-Up and Preset-Down for a long button press.

1. Turn on the ignition but do not start the vehicle.
2. Press and hold down the steering wheel control button that you want to assign a long press function to for about (10) seconds, or until the L.E.D. flashes rapidly. At this point release the button; the L.E.D. will then go solid.
3. Press and release the Volume-Up button the number of times corresponding to the new button number selected. Refer to the Dual Assignment Legend. The L.E.D. will flash rapidly while the Volume-Up button is being pressed, and then go back to a solid L.E.D. once released. Go to the next step once the Volume-Up button has been pressed the desired number of times.

**Caution:** If more than (10) seconds elapses between pressing the Volume-Up button, this procedure will abort, and the L.E.D. will go out.

4. To store the long press button in memory, press the button that you assigned a long press button to (the button held down in Step 2). The L.E.D. will now go off indicating the new information has been stored.

**Note:** These steps must be repeated for each button you would like to assign a dual purpose feature to. To reset a button back to its default state, repeat Step 1, and then press the Volume-Down button. The L.E.D. will go out, and the long press mapping for that button will be erased.

### Dual assignment legend

- |                   |                 |
|-------------------|-----------------|
| 1. Not allowed    | 10. Band        |
| 2. Not allowed    | 11. Play/Enter  |
| 3. Seek-Up/Next   | 12. PTT         |
| 4. Seek-Down/Prev | 13. On-Hook     |
| 5. Mode/Source    | 14. Off-Hook    |
| 6. ATT/Mute       | 15. Fan-Up *    |
| 7. Preset-Up      | 16. Fan-Down *  |
| 8. Preset-Down    | 17. Temp-Up *   |
| 9. Power          | 18. Temp-Down * |

\* Not applicable in this application

### TROUBLESHOOTING

#### Resetting the AXDIS-FD3

1. The **Blue** reset button is located inside the interface, between the two connectors. The button is accessible outside the interface, no need to open the interface.
2. Press and hold the reset button for two seconds, and then let go to reset the interface.
3. Refer to the **Programming** section from this point.

Having difficulties? We're here to help.



Contact our Tech Support line at:  
**386-257-1187**



Or via email at:  
techsupport@metra-autosound.com

#### Tech Support Hours (Eastern Standard Time)

Monday - Friday: 9:00 AM - 7:00 PM

Saturday: 10:00 AM - 7:00 PM

Sunday: 10:00 AM - 4:00 PM



#### **KNOWLEDGE IS POWER**

Enhance your installation and fabrication skills by enrolling in the most recognized and respected mobile electronics school in our industry. Log onto [www.installerinstitute.edu](http://www.installerinstitute.edu) or call 386-672-5771 for more information and take steps toward a better tomorrow.



**Metra recommends MECP  
certified technicians**





### COMPONENTES DE LA INTERFAZ

- Interfaz AXDIS-FD3
- Arnés AXDIS-FD3
- Arnés de 16 pins
- Adaptador de 3.5 mm

### APLICACIONES

Ford			
E Series	2021-y más	F250/F350/F450/F550	2020-y más
Eco Sport	2020-y más	Transit	2020-y más
Escape	2020-y más	Transit Connect	2019-y más

## Interfaz de datos de Ford con SWC 2019-y más

### CARACTERÍSTICAS DE LA INTERFAZ

- Genera corriente de accesorios (12 voltios 10 amperes)
- Conserva R.A.P. (corriente de accesorio retenida)
- Ofrece salidas de NAV (freno de mano, reversa, sensor de velocidad)
- Conserva los controles de audio en el volante
- Diseñada para modelos amplificados
- Conserva el balance y la intensidad
- Actualizable por micro B USB

**Nota:** El AXDIS-FD3 no conserva el SYNC.

Visite [AxxessInterfaces.com](http://AxxessInterfaces.com) para estar al día aplicaciones específicas del vehículo.

### Product Info



### ÍNDICE

Conexiones .....	2-4
Instalación .....	4
Programación.....	4
Configuración de los controles de dirección en el volante .....	5-7
- Retroalimentación con LED.....	5
- Cambio de tipo de radio.....	5
- Remapeo.....	6
- Instrucciones de asignación dua .....	7
Resolución de problemas.....	8

### HERRAMIENTAS Y ACCESORIOS DE INSTALACIÓN REQUERIDOS

- Herramienta de crimpado y conectores, o pistola de soldar, soldadura y termorretráctil
- Cinta
- Cortador de cables
- Bridas

**ATENCIÓN:** Sin tener la llave puesta en la marcha, desconecte la terminal negativa de la batería antes de instalar este producto. Asegúrese de que todas las conexiones de la instalación, en especial las luces indicadoras de las bolsas de aire, estén conectadas antes de volver a conectar la batería o dar vuelta a la marcha para probar este producto.  
**NOTA:** También consulte las instrucciones incluidas con el radio genérico.

### Desde arnés de 16 pins al radio genérico, conecte el:

- Cable **Rojo** al cable del accesorio.
- Cable **Anaranjado con Blanco** al cable de iluminación (si así corresponde).
- Cable **Café** al cable de mudo, únicamente si viene equipado con SYNC (si así corresponde).

**Nota:** Si el cable de mudo no está conectado, el radio se apagará cuando se active SYNC.

- Cable **Gris** a la salida positiva de la bocina derecha delantera.
- Cable **Gris con Negro** a la salida negativa de la bocina derecha delantera.
- Cable **Blanco** a la salida positiva de la bocina izquierda delantera.
- Cable **Blanco con Negro** a la salida negativa de la bocina izquierda delantera.

Los siguientes (3) cables son únicamente para radios con multimedia/navegación que los necesitan.

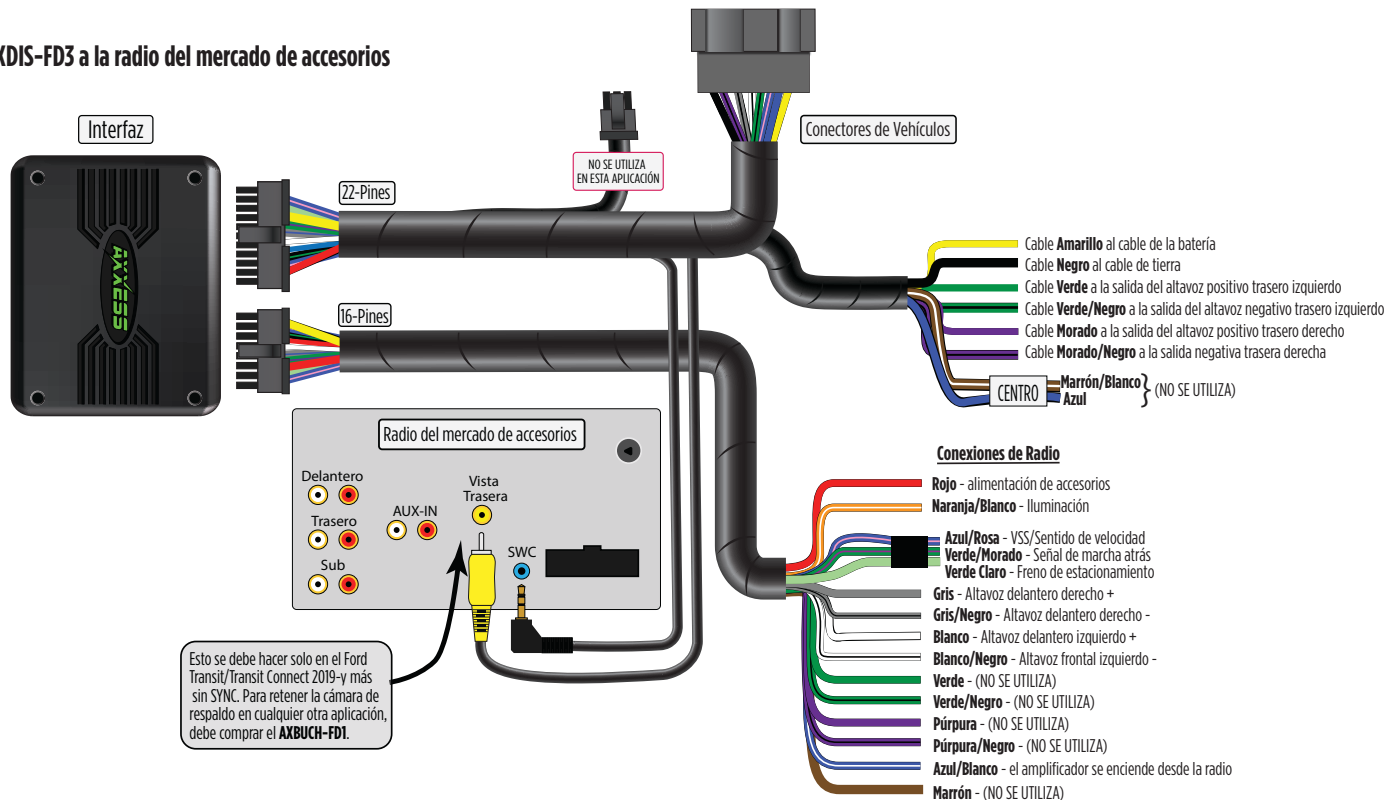
- Cable **Azul con Rosa** al cable de VSS/sensor de velocidad.
- Cable **Verde con Morado** al cable de reversa.
- Cable **Verde Claro** al cable del freno de mano.

Encinte e ignore los siguientes (5) cables, ya que no se usarán en esta aplicación:

**Azul con Blanco, Verde, Verde con Negro, Morado, Morado con Negro.**

## CONEXIONES (CONT)

### Del arnés AXDIS-FD3 a la radio del mercado de accesorios



## CONEXIONES (CONT)

### Con la llave en la posición de apagado:

- Connect the **16-pin harness**, and the **AXDIS-FD3 harness**, into the **AXDIS-FD3 interface**.

**Attention!** Do not connect the **AXDIS-FD3 harness** to the wiring harness in the vehicle just yet.

**Attention!** If retaining steering wheel controls, ensure that the jack/wire is connected to the radio before proceeding. If this step is skipped, the interface will need to be reset for the steering wheel controls to function.

### Conservación del control en volante con entrada de 3.5 mm:

- La entrada de 3.5 mm debe usarse para conservar los controles de audio en el volante.
- **Para los radios que se mencionan a continuación:** Conecte el **adaptador de 3.5 mm** a la entrada SWC de 3.5 mm desde el **arnés AXDIS-FD3**. Todo cable restante debe encintarse y descartarse.
  - **Eclipse:** Conecte el cable de control en volante, que suele ser **Café**, al **Cable café con Blanco** del conector. Después, conecte el cable restante de control en volante, que suele ser **Café con Blanco**, al cable **Café** del conector.
  - **Equipo original Metra:** Conecte el cable Key 1 (gris) del control en el volante al cable **marrón**.
  - **Kenwood o JVC selectos con cable de control en el volante:** • Conecte el cable **Azul con Amarillo** al cable **café**.
  - Nota:** Si su radio **Kenwood** se detecta automáticamente como JVC, defina manualmente el tipo de radio a **Kenwood**. Vea las instrucciones a continuación para cambiar el tipo de radio.
  - **XITE:** Conecte el cable SWC-2 del control en el volante del radio al cable **Café**.
  - **Parrot Asteroid Smart o Tablet:** Conecte el conector de 3.5 mm en el AXSWCH-PAR (se vende por separado). Después, conecte el conector de 4 pins del AXSWCH-PAR al radio.  
**Nota:** El radio debe estar actualizado a la versión de software 2.1.4 o posterior.
  - **Radio universal de "2 o 3 cables":** Conecte el cable de control en volante, que se conoce como Key-A o SWC-1, al cable **Café** del conector. Después, conecte el cable de control en volante restante, que se conoce como Key-B o SWC-2, al cable **Café con Blanco** del conector. Si el radio incluye un tercer cable de puesta a tierra, descarte este cable.  
**Nota:** Después de haber programado la interfaz al vehículo, consulte el manual incluido con el radio para saber cómo asignar los botones SWC. Comuníquese con el fabricante de radio para más información.
- **Para todos los demás radios:** Conecte el conector de 3.5 mm del **arnés AXDIS-FD3** en la entrada en el radio genérico designada para una interfaz de control al volante externa. Consulte el manual de los radios genéricos en caso de tener dudas sobre el lugar en donde se conecta la entrada de 3.5 mm.

## INSTALACIÓN

### Con la llave en la posición de apagado:

- Conecte el **arnés de 16 pins** y el **arnés AXDIS-FD3** a la **interfaz AXDIS-FD3**.

**Atención!** Todavía no conecte el **arnés AXDIS-FD3** al arnés del cableado en el vehículo.

**¡Atención!** Si va a conservar los controles en volante, asegúrese de que el cable/el conector esté conectado al radio antes de continuar. Si se salta este paso, tendrá que restablecerse la interfaz para que funcionen los controles en el volante.

## PROGRAMACIÓN

Para los pasos que se encuentran a continuación, la luz LED que se encuentra dentro de la interfaz únicamente podrá verse mientras esté activa. No es necesario abrir la interfaz para ver la luz LED.

1. Encienda el vehículo.
2. Conecte el **arnés AXDIS-FD3** al arnés de cableado en el vehículo.
3. La luz LED se encenderá en **Verde** fijo. Después, se apagará durante unos cuantos segundos si detecta automáticamente el radio que se instaló.
4. Posteriormente, la luz LED parpadeará (23) veces en **Rojo**, lo que indicará qué radio está conectado a la interfaz. Después, se apagará por unos cuantos segundos. Preste atención a la cantidad de veces que parpadee la luz en **Rojo**. Esto le ayudará en la resolución de problemas, en caso de ser necesario. Consulte la sección de retroalimentación de LED para más información.
5. Después de unos segundos, la luz LED se encenderá en **Rojo** fijo mientras la interfaz detecta automáticamente el vehículo. El radio se apagará en este momento. Este proceso debe de tomar entre 5 y 30 segundos.
6. Cuando la interfaz haya detectado automáticamente el vehículo, la luz LED se encenderá en **Verde** fijo y el radio se encenderá nuevamente, lo que indicará que la programación fue exitosa.
7. Antes de volver a armar el tablero, pruebe todas las funciones de la instalación para corroborar que todo funciona correctamente. Si la interfaz no funciona, consulte la sección **"Resolución de problemas"**.

**Nota:** La luz LED se encenderá en **Verde** fijo por un momento. Después, se apagará en su funcionamiento normal cuando se gire la llave.

# AJUSTES DE CONTROL DE VOLANTE

## Retroalimentación de luz LED

Los (23) parpadeos en rojo de la luz LED representan la marca de radio que AXDIS-FD3 considera que está conectada. Cada parpadeo representa un fabricante de radio distinto. Por ejemplo, si está instalando un radio JVC, el AXDIS-FD3 parpadeará (5) veces. A continuación está la leyenda que dicta a qué fabricante corresponde cada parpadeo.

## Leyenda de retroalimentación de luz LED

El 1º parpadeo significa Eclipse (tipo 1) †	El 13º parpadeo significa LG
El 2º parpadeo significa Kenwood †	El 14º parpadeo significa Parrot **
El 3º parpadeo significa Clarion (tipo 1) †	El 15º parpadeo significa XITE
El 4º parpadeo significa Sony/Dual	El 16º parpadeo significa Philips
El 5º parpadeo significa JVC	El 17º parpadeo significa TBD
El 6º parpadeo significa Pioneer/Jensen	El 18º parpadeo significa JBL
El 7º parpadeo significa Alpine *	El 19º parpadeo significa INSANE
El 8º parpadeo significa Visteon	El 20º parpadeo significa MAGNADYNE
El 9º parpadeo significa Valor	El 21º parpadeo significa BOSS
El 10º parpadeo significa Clarion (tipo 2) †	El 22º parpadeo significa AXXERA
El 11º parpadeo significa equipo original Metra	El 23º parpadeo significa AXXERA (tipo 2).
El 12º parpadeo significa Eclipse (tipo 2) †	

\* **Nota:** Si el **AXDIS-FD3** parpadea (7) veces en rojo y no tiene conectado un radio Alpine conectado, significa que el AXDIS-FD3 no detecta el radio que está conectado. Revise que la entrada de 3.5 mm esté conectada al cable/entrada de volante correcto en el radio.

\*\* **Nota:** Se necesita el número de pieza **AXSWCH-PAR** (se vende por separado). Además, el radio Parrot debe estar actualizado a la versión de software 2.1.4 o posterior mediante [www.parrot.com](http://www.parrot.com).

† **Nota:** Si tiene un radio Clarion y los controles en el volante no funcionan, cambie el tipo de radio a otro tipo de radio Clarion. Lo mismo aplica con los radios Eclipse. La siguiente sección explica cómo hacerlo.

‡ **Nota:** Si tiene un radio Kenwood y la retroalimentación del LED se enciende para indicar que es un radio JVC, cambie el tipo de radio a Kenwood. La siguiente sección explica cómo hacerlo.

**Atención:** La aplicación Access Updater también puede usarse para programar las siguientes (3) subsecciones, siempre y cuando se haya inicializado y programado la interfaz.

## Cambio de tipo de radio

Si el parpadeo de la luz LED no coincide con el radio que tiene conectado, debe programar manualmente el AXDIS-FD3 para indicarle qué radio está conectado.

1. Después de (3) segundos de girar la llave para encender el auto, mantenga oprimido el botón de bajar volumen en el volante hasta que la luz LED en el AXDIS-FD3 se encienda en color fijo.
2. Suelte el botón de bajar volumen, la luz LED se apagará, lo que indicará que está en modo de tipo de radio de cambio.
3. Consulte la leyenda del radio para saber el número de radio que quisiera programar.
4. Mantenga oprimido el botón de subir volumen hasta que la luz LED se encienda en color sólido. Después, suéltelo. Repita este paso hasta llegar al número de radio que haya seleccionado.
5. Cuando haya seleccionado el número del radio deseado, mantenga oprimido el botón de bajar volumen en el volante hasta que la luz LED se encienda en color sólido. La luz LED permanecerá encendida por cerca de (3) segundos mientras guarda la información del radio nuevo.
6. Cuando se apague la luz LED, se terminará el modo de cambio de tipo de radio. En este momento podrá probar los controles en el volante.

**Nota:** Si en algún momento el usuario no presiona ningún botón durante más de (10) segundos, se abortará el proceso.

*Continúa en la siguiente página*

## Leyenda del radio

1. Eclipse (Tipo 1)	9. Valor	17. TBD
2. Kenwood	10. Clarion (Tipo 2)	18. JBL
3. Clarion (Tipo 1)	11. Metra OE	19. Insane
4. Sony/Dual	12. Eclipse (Tipo 2)	20. Magnadyne
5. JVC	13. LG	21. Boss
6. Pioneer/Jensen	14. Parrot	22. Axxera
7. Alpine	15. XITE	23. Axxera (Tipo 2)
8. Visteon	16. Philips	

## Remapeo de los botones del control en el volante

Digamos que ya ha inicializado el AXDIS-FD3 y quiere cambiar la asignación de los botones en los controles en el volante. Por ejemplo, quisiera que el botón de “Buscar siguiente” sea “Mudo”. Siga estos pasos para remapear los botones del control en el volante:

1. Asegúrese de que el AXDIS-FD3 sea visible para que pueda ver que la luz LED parpadea, con el fin de confirmar el reconocimiento de los botones. **Sugerencia:** Se recomienda apagar el radio.
2. Durante los primeros veinte segundos de que encendió la marcha, mantenga oprimido el botón de subir volumen en el volante hasta que la luz LED se encienda en color fijo.
3. Suelte el botón de subir volumen. Después, la luz LED se apagará. En este momento, el botón de subir volumen ya habrá quedado programado.
4. Siga la lista de “Leyenda de asignación de botones” para consultar el orden en que tienen que programarse los botones de control en volante.

**Nota:** Si la siguiente función en la lista no está en el volante, oprima el botón de subir volumen por (1) segundo hasta que se encienda la luz LED. Después, suelte el botón de subir volumen. Esto le indicará al AXDIS-FD3 que esta función no está disponible, por lo que pasará a la próxima función.

5. Para terminar el proceso de remapeo, mantenga oprimido el botón de subir volumen en el volante hasta que se apague la luz LED en el AXDIS-FD3.

## Leyenda de asignación de botones

1. Subir volumen	10. Banda
2. Bajar volumen	11. Reproducir/Aceptar
3. Buscar siguiente	12. PTT (presionar para hablar)*
4. Buscar anterior	13. Colgado *
5. Fuente/Modo	14. Descolgado *
6. Silencio	15. Subir ventilador **
7. Subir preestablecido	16. Bajar ventilador **
8. Bajar preestablecido	17. Subir temp. **
9. Encendido	18. Bajar temp. **

\* No disponible si el vehículo viene equipado con SYNC

\*\* No disponible en esta aplicación.

**Nota:** No todos los radios tienen estos comandos. Consulte el manual que incluye el radio o comuníquese con el fabricante del radio para consultar los comandos específicos que reconoce este radio en especial.

*Continued on the next page*

### Instrucciones de asignación dual (presión extendida de botones)

El **AXDIS-FD3** tiene la capacidad de asignar (2) funciones a un único botón, salvo por los botones de subir volumen y bajar volumen. Siga los pasos que están a continuación para programar los botones a su gusto.

**Nota:** “Buscar siguiente” y “Buscar anterior” vienen pre-programados como “Subir preestablecido” y “Bajar preestablecido” cuando se oprime el botón por largo tiempo.

1. Encienda la marcha, pero no arranque el vehículo.
2. Mantenga oprimido el botón de control en el volante que quisiera asignar para asignar una función de presión extendida por cerca de (10) segundos o bien, hasta que la luz LED parpadee rápidamente. En este momento, suelte el botón y la luz LED dejará de parpadear.
3. Oprima el botón de subir volumen la misma cantidad de veces que correspondan al número de botón nuevo seleccionado. Consulte la leyenda de asignación dual. La luz LED parpadeará rápidamente mientras se mantenga oprimido el botón de subir volumen. Después, regresará a un color fijo cuando se le suelte. Vaya al siguiente paso cuando se haya oprimido el botón de subir volumen la cantidad de veces deseada.

**Precaución:** Si pasan más de (10) segundos desde que oprimió el botón de subir volumen por última vez, se abortará este procedimiento y se apagará la luz LED.

4. Para que el botón de presión extendida quede guardado en la memoria, oprima el botón al que asignó como función de presión extendida (el botón que mantuvo oprimido en el paso 2). En este momento se apagará la luz LED para indicar que ha quedado guardada la nueva información.

**Nota:** Debe repetir estos mismos pasos en cada botón al que quiera asignar una función dual. Para restablecer un botón a su estado predeterminado, repita el paso 1 y después, presione el botón de bajar volumen. Se apagará la luz LED y se eliminará el mapeo de presión extendida del botón en cuestión.

### Leyenda de asignación dual

- |                         |                        |
|-------------------------|------------------------|
| 1. No se permite        | 10. Banda              |
| 2. No se permite        | 11. Reproducir/Aceptar |
| 3. Buscar siguiente     | 12. PTT                |
| 4. Buscar anterior      | 13. Colgado            |
| 5. Modo/Fuente          | 14. Descolgado         |
| 6. ATT/Mudo             | 15. Subir ventilador*  |
| 7. Subir preestablecido | 16. Bajar ventilador*  |
| 8. Bajar preestablecido | 17. Subir temp.*       |
| 9. Encendido            | 18. Bajar temp.*       |

\* No disponible en esta aplicación

### RESOLUCIÓN DE PROBLEMAS

#### Reinicio del AXDIS-FD3

1. El botón de reinicio **Azul** se encuentra dentro de la interfaz, entre los dos conectores. Puede acceder al botón desde afuera de la interfaz, por lo que no es necesario abrir la interfaz.
2. Mantenga oprimido el botón de reinicio durante dos segundos. Después, suéltelo para reiniciar la interfaz.
3. Consulte la sección de **“Programación”** a partir de este punto.

¿Tienes dificultades? Estamos aquí para ayudar.



Póngase en contacto con nuestra línea de soporte técnico en:  
**386-257-1187**



O por correo electrónico a:  
[techsupport@metra-autosound.com](mailto:techsupport@metra-autosound.com)

#### Horario de Soporte Técnico (hora estándar del este)

Lunes - Viernes: 9:00 AM - 7:00 PM

Sábado: 10:00 AM - 7:00 PM

Domingo: 10:00 AM - 4:00 PM



#### EL CONOCIMIENTO ES PODER

Mejore sus habilidades de instalación y fabricación inscribiéndose en la escuela de dispositivos electrónicos móviles más reconocida y respetada de nuestra industria. Regístrese en [www.installerinstitute.com](http://www.installerinstitute.com) o llame al 800-354-6782 para obtener más información y avance hacia un futuro mejor.



**Metra recomienda técnicos con certificación del Programa de Certificación en Electrónica Móvil (Mobile Electronics Certification Program, MECP).**