

TWO-WAY RADIO MODEL
RX380TTC
 Printed in China
 Part No. 814-RX3802-101
 English
Nothing Comes Close to a Cobra®

Before operating the radio, please read all safety and operating instructions. Save all instructions in a safe place for future reference.

WARNING: Important Safety Instructions

- Only accessories included in this package or specified by the manufacturer should be used with the radio. The 5V micro-USB charging input is compatible with most high quality micro-USB chargers that fully conform to the USB standards.
- Do not use cleaners or solvents to clean the exterior of the radio. Use only a damp or dry cloth.
- Do not expose this product to splashing or dripping water.
- Do not attempt to service the receiver yourself. Removing the cover will void the warranty. Changes or modifications not expressly approved by Cobra may void the user's authority granted by the FCC to operate this device and should not be made.
- Do not plug the wall adaptor into the power outlet if the outlet is wet.
- Do not use any portable radio that has a damaged antenna. If a damaged antenna comes into contact with your skin, a minor burn can result.

WARNING: Important Safety Instructions for Battery
 Read All Instructions

- Do not incinerate the battery even if it is severely damaged or is completely worn out.
- Do not discard battery in a fire. The battery can explode in a fire.
- Do not replace battery in any area labeled "Hazardous Atmosphere". Any sparks created in a potentially explosive atmosphere can cause an explosion or fire.
- Do not disassemble, crush, puncture, shred, or otherwise attempt to change the form of your battery.
- Do not dry a wet or damp battery with an appliance or heat source, such as a hair dryer or microwave oven.
- Do not attempt to charge alkaline batteries.
- Do not mix old and new batteries.
- Do not mix alkaline, standard (carbon-zinc), or rechargeable (Ni-Cd, Ni-MH, etc.) batteries.

Recycle Battery
 Local, state or federal laws may prohibit disposal of batteries in ordinary trash. Consult your local waste authority for information regarding available recycling and/or disposal options.

Introduction
Making Life Easier and Safer

Staying in touch with your family and friends is convenient and easy when using your microTALK® radio. Some of the many uses you will discover include:

Communicating with others while hiking, biking, and working; keeping track of family and friends at a crowded public event; checking with travel companions in another car; talking with neighbors; arranging meeting spots with others while shopping at the mall.

Belt Clip
Secure your microTALK® radio while on the go.
 Carrying your microTALK® radio with you is easy when using the belt clip or optional wrist strap.
 The belt clip easily attaches to your belt, purse, or backpack.

Customer Assistance
Product Service & Support

In this user's guide, you should find all the information you need to operate your microTALK® radio. If you require further assistance after reading this guide, Cobra offers the following customer assistance services:

For Assistance In The U.S.A.
 For any questions about operating or installing this new Cobra product, PLEASE CONTACT COBRA FIRST... do not return this product to the retail store. The contact information for Cobra will vary depending on the country in which you purchased and uses the product. For the latest contact information, please go to www.cobra.com/support or call 1-800-543-1608.

If your product should require factory service, please go to www.cobra.com/support and follow the instructions.

Customer Assistance
Operational Cautions

Exposure to high volume sound levels may cause temporary or permanent damage to your hearing. Although there is no single volume setting that is appropriate for everyone, you should always use your radio with the volume set at low level and avoid prolonged exposure to high volume sound levels.

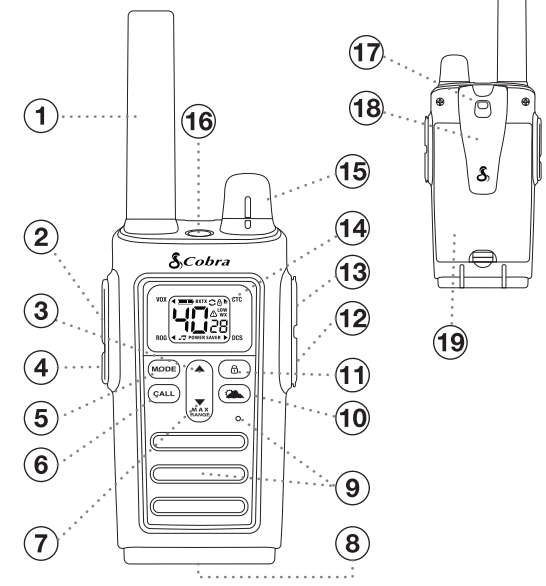
- Set the volume control in a low position and use as low a volume as possible.
- Avoid turning up the volume to block out noisy surroundings. Whenever possible, use your radio in a quiet environment with low background noise.
- Limit the amount of time you use headsets or earpiece at high volume levels.
- When using the radio without a headset or earpiece, do not place the radio's speaker directly against your ear.
- Observe all signs and instructions that require an electrical device or RF radio product to be switched off in designated areas, such as gas/refueling stations, hospitals, blasting areas, potentially explosive atmospheres, or aircraft.
- If you experience a skin irritation after using this product, discontinue use and seek medical attention.
- If the product or charger: overheats; has a damaged cord or plug; has been dropped or damaged; has been dropped into water, disconnect any charger from its power supply, discontinue use of the product.

Electromagnetic Interference

Nearly every electronic device is susceptible to electromagnetic interference (EMI) if inadequately shielded, designed, or otherwise configured for electromagnetic compatibility. Turn off your radio in any facility where posted notices instruct you to do so. These facilities may include hospitals or health care facilities that may be using equipment that is sensitive to external RF energy.

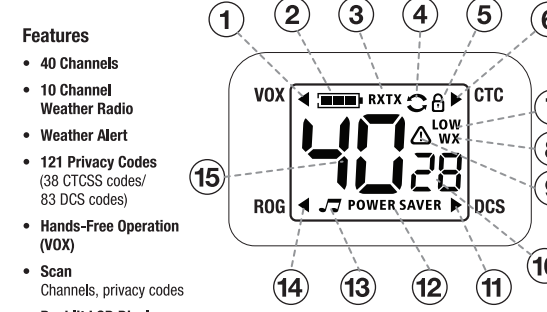
- When instructed to do so, turn off your radios when on board an aircraft. Any use of a RF device must be in accordance with applicable laws, regulations and airline crew instructions.
- Some radios may interfere with some hearing aids. In the event of such interference, you may want to consult your hearing aid manufacturer or physician to discuss alternatives.
- If you use any other personal medical device, consult the manufacturer of your device to determine if it is adequately shielded from RF energy. Your doctor or physician may be able to assist you in obtaining this information.

Introduction
Product Features



- | | |
|--------------------------|--------------------------------------|
| 1. Antenna | 11. Lock Button |
| 2. Push-to-Talk Button | 12. USB Charge Jack |
| 3. Up/HI/LOW Button | 13. External Speaker/Microphone Jack |
| 4. Flashlight Button | 14. Backlit LCD Display |
| 5. Mode Button | 15. ON/OFF/Volume Knob |
| 6. Call Button | 16. Emergency Alert Button |
| 7. Down/Max-Range Button | 17. Wrist Strap Connection |
| 8. LED/S.O.S. Flashlight | 18. Belt Clip |
| 9. Speaker/Microphone | 19. Battery Compartment Door |
| 10. Weather Button | |

Backlit LCD Display



- Features**
- 40 Channels
 - 10 Channel Weather Radio
 - Weather Alert
 - 121 Privacy Codes (38 CTCSS codes/ 83 DCS codes)
 - Hands-Free Operation (VOX)
 - Scan Channels, privacy codes
 - Backlit LCD Display
 - LED/S.O.S. Flashlight
 - Call Alert Ten selectable tones
 - Button Lock
 - Speaker/Microphone
 - Charge Jack
 - Roger Beep Selectable On/Off
 - Battery/Power Saver
 - Keystroke Tones Selectable On/Off
 - Battery Level Indicator
 - Low Battery Audible Alert
 - Auto Squelch
 - Maximum Range Extender
 - Belt Clip
 - Emergency Call

Maximum range may vary and is based on unobstructed line-of-sight communication under ideal conditions.

Operation
Using Your Radio

USB Charger Jack
To charge batteries in radio:

- Check to see that the batteries have been inserted properly.
- Insert the cable into the charge jack located at the right side of the radio.
- Plug the cable into USB-compatible power port.
- The radio will display flashing battery icon while charging.

Only use the supplied rechargeable batteries and desktop charger (not included) for recharging your Cobra microTALK® radio. Please charge new batteries for 14 hours for first time of use.
Note: Cobra recommends your radio is turned off while being charged.

Quick Start

- Turn ON/OFF/Volume Knob clockwise to turn the radio on and counter clockwise to turn the radio off.
 - Select a desired channel. (Details please refer P.8)
- Both radios must be tuned to the same channel/privacy code to communicate.
- Press and hold the Talk button while speaking into the microphone.
 - When finished talking, release the Talk button and listen for a response.

Turning your Radio On and Off

Turn ON/OFF Knob clockwise to turn the radio on and counterclockwise to turn the radio off.

ON/OFF Knob
1. In the **ON** position, the radio chirps and briefly shows all feature icons available on the radio.
2. The display screen then shows the current channel, code and all features that are enabled.

Battery Low

Battery Low
RXTX
 When battery power is low, the final bar in the **Battery Low** icon will blink and an audible tone will sound twice before the radio shuts off. Your batteries should be recharged. It normally takes about 14 hours to fully charge batteries.

The radio will display flashing battery icon while charging if the radio is on.

Auto Battery Save

Battery Save Mode
POWER SAVER
 If there are no transmissions within 10 seconds, the radio will automatically switch to **Battery Save mode** and the **Power Saver** icon will flash in the display. This will not affect the radio's ability to receive incoming transmissions.

Communicating with Another Person

Talk Button
1. Press and hold the **Talk** button.
2. With the microphone about two inches (5 cm) from your mouth, speak in a normal voice.
3. Release the **Talk** button when you are finished talking and listen for a response.
Two Inches from Mouth
 You cannot receive incoming calls while pressing the **Talk** button.

Both radios must be tuned to the same channel/privacy code to communicate.

Listening for a Response

Listening
 Release the **Talk** button to receive incoming transmissions. Your microTALK® radio is always in **Standby** mode while the **Talk** or **Call** buttons are not pressed.

To Adjust Volume

Volume Knob
 Press and hold **MAX-RANGE** Button for three seconds to turn off the auto squelch, then rotating **Volume** Knob until you reach a comfortable listening level.

- Rotate **Volume** Knob clockwise to increase the volume.
- Rotate **Volume** Knob counterclockwise to decrease the volume.
- Press and hold **MAX-RANGE** Button to enable the auto squelch. Do not hold the radio close to your ear. If the volume is set to an uncomfortable level, it could hurt your ear.

Call Button

Call Button
 Press and release the **Call** button to alert others that you are calling.
 The other person will hear a two second call tone. This tone is used only to establish voice communications.

See page 14 on how to select between ten call tone settings.

LED/S.O.S. Flashlight

LED/S.O.S. Flashlight
 Press and release the **LED/S.O.S Flashlight** button below the **Talk** button to use the LED flashlight located at the bottom of the radio.
 To activate S.O.S. function, press and hold the **LED/S.O.S Flashlight** button to turn on. Press and release to turn off the flashlight or S.O.S. function.

Auto Squelch/Maximum Range

Your microTALK® radio will automatically shut off weak transmissions and unwanted noise due to terrain, conditions or if you've reached your **Maximum Range** limit.
 You can turn off auto squelch (or turn on maximum range extender), allowing all signals to be received and extending the maximum range of your radio.

MAX-RANGE Button

MAX-RANGE Button
To turn maximum range extender on (Turn off auto squelch):
 – Press and hold the **MAX-RANGE** button for at least three seconds until you hear background noise which indicates the maximum range extender is on.

To turn maximum range extender off (Turn on auto squelch):
 – Press and hold the **MAX-RANGE** button.

Lock Function

Lock Button
 The **Lock** function locks the **Up, Down, Weather** and **Mode** buttons to prevent accidental operation.

To turn the lock on or off:
 – Press and hold the **Lock** button for two seconds.
 A beep sound is used to confirm your **lock on** or **off** request. When in **Lock** mode, the **Lock** icon will be displayed.

microTALK® Range

Maximum Range
 Your range will vary depending on terrain and conditions. In flat, open country your radio will operate at maximum range. Buildings and foliage in the path of the signal can reduce the range of the radio.

Reduced Range
 Dense foliage and hilly terrain will further reduce the range of the radio.

Reduced Range
 On Channels 8 through 14, 34 through 37, your radio automatically switches to low power, which will limit the range the radio can communicate.

Remember, you can achieve maximum range by using maximum range extender. See page 6 for details.

Operation
Mode Functions

Scrolling Through the Mode Function

By scrolling through the **Mode** function, you will be able to select or turn on preferred features of your microTALK® radio. When scrolling through the **Mode** function, your radio features will be displayed in the same predetermined order:

Mode Button
MODE

- Channel Selection
- Set CTCSS Privacy Codes
- Set DCS Privacy Codes
- Set Vox On/Off
- Set Vox Sensitivity
- Set Channel Scan
- Set Call Tones 1-10
- Set Roger Beep On/Off
- Set Key Tones On/Off

Channel Selection

The radio has 40 channels, Channel 1 to 22 are compatible with other brands of Two-Way radios.

- Briefly press and release **Mode** button, the channel number flashes.
- Press **Up** or **Down** button to select a channel. (You can hold the **Up** or **Down** button for fast advance)
- When the desired channel is displayed, choose one of the following:
 - Press the **Mode** button to enter the new setting and proceed to other functions.
 - Press the **Talk** or **Call** button to save the new setting and return to **Standby** mode.
 - Do not press any buttons for 6 seconds to save the new setting and return to **Standby** mode.

Both radios must be tuned to the same channel to communicate.

See page 18 for frequency allocations charts.

Privacy Codes

Your microTALK® radio incorporates two advanced coded squelch systems that can help to reduce interference from other users on any given channel. CTCSS (Continuous Tone Coded Squelch System) provides 38 privacy codes and DCS (Digitally Coded Squelch) provides 83 privacy codes. This provides a total of 121 **Privacy Codes**. Either system can be used on channels (CH1-CH22), but both systems cannot be used on the same channel at the same time.

To successfully communicate using a privacy code, both the sending and receiving radios must be tuned to the same channel and to the same privacy code system (CTCSS or DCS) and privacy code number. Each channel will remember the last privacy code system and number you select.

The privacy code 00 is not a privacy code, but allows all signals to be heard on a channel that is set to 00 on both the CTCSS and DCS systems.

Set CTCSS Privacy Codes

Mode Button
MODE
CTCSS Privacy Code
UP/DOWN Button
MODE, **CALL**, **MAX**, **POWER SAVER**

- To select a CTCSS privacy code:**
- After selecting a channel (only be available on channel 1–22), press the **Mode** button until the **CTCSS** Indicator appears and the small numbers next to the channel number flash on the display.
 - If DCS is turned on at the channel selected, the display will flash the CTCSS icon and "OFF." To switch from DCS to CTCSS, press the **Up** or **Down** button while the display is flashing "OFF." The display will then show the small numbers flashing and you will then be able to proceed to step 2.

- Press using the **Up** or **Down** button to select a privacy code. You can hold the **Up** or **Down** button for fast advance.
- When your desired CTCSS privacy code is displayed, choose one of the following:
 - Press the **Mode** button to enter the new setting and proceed to other functions.
 - Press the **Talk** or **Call** button to save the new setting and return to **Standby** mode.
 - Do not press any buttons for 6 seconds to save the new setting and return to **Standby** mode.

Caring for Your microTALK® Radio

Your microTALK® radio will give you years of trouble-free service if cared for properly. Handle the radio gently. Keep the radio away from dust. Never put the radio in water or in a damp place. Avoid exposure to extreme temperatures.

Installing Batteries (Battery already pre-installed)

- Remove Belt Clip**
To install or replace batteries:
- Remove belt clip by releasing belt clip latch and sliding clip up.
 - Pull up on the battery door latch to remove the battery compartment cover.
 - Insert the supplied three AA rechargeable batteries or non-rechargeable alkaline batteries. Position batteries according to polarity markings.
 - Replace battery compartment cover and belt clip.

Insert Batteries



Set DCS Privacy Codes

Mode Button
MODE
DCS Privacy Code
UP/DOWN Button
MODE, **CALL**, **MAX**, **POWER SAVER**

- To select a DCS privacy code:**
- After selecting a channel (only available on channel 1–22), press the **Mode** button until the DCS indicator appears and the small numbers flash on the display (00 through 83).
 - If CTCSS is turned on at the channel selected, the display will flash the DCS icon and "OFF." To switch from CTCSS to DCS, press the **Up** or **Down** button while the display is flashing "OFF." The display will then show the small numbers flashing and you will then be able to proceed to step 2.

- Press using the **Up** or **Down** button to select a DCS privacy code. You can hold the **Up** or **Down** button for fast advance.
- When your desired DCS privacy code is displayed, choose one of the following:
 - Press the **Mode** button to enter the new setting and proceed to other functions.
 - Press the **Talk** or **Call** button to save the new setting and return to **Standby** mode.
 - Do not press any buttons for 6 seconds to save the new setting and return to **Standby** mode.

Operation

Mode Functions (continued)

Voice Activated Transmit (VOX)

In **VOX** mode, your microTALK® radio can be used “hands-free,” automatically transmitting when you speak. You can set the **VOX** sensitivity level to fit the volume of your voice and avoid transmissions triggered by background noise.

- To turn VOX mode on or off:**
- Press the **Mode** button until the **VOX** indicator flashes on the display. The current **On** or **Off** setting is displayed.
 - Press the **Up** or **Down** button to turn **VOX On** or **Off**.
 - Choose one of the following:
 - Press the **Mode** button to enter the new setting and proceed to other functions.
 - Press the **Talk** or **Call** button to save the new setting and return to **Standby** mode.
 - Do not press any buttons for 6 seconds to save the new setting and return to **Standby** mode.

- To set VOX sensitivity:**
- Press the **Mode** button until the **VOX** icon flashes and the current sensitivity level is displayed.
 - The current VOX sensitivity level is displayed with letters “L” and a Number 1 through 5, with Number 5 being the most sensitive level and Number 1 being the least sensitive level.
 - Press the **Up** or **Down** button to change the setting.
 - Choose one of the following:
 - Press the **Mode** button to enter the new setting and proceed to other functions.
 - Press the **Talk** or **Call** button to save the new setting and return to **Standby** mode.
 - Do not press any buttons for 6 seconds to save the new setting and return to **Standby** mode.

Channel Scan

Your microTALK® radio can automatically scan channels.

- To scan channels:**
- Press the **Mode** button until the **Scan** icon and the current **off** setting are flashing.
 - Press the **Up** or **Down** button to select Channel Scan **on** or **off**.
 - Choose one of the following:
 - While the current setting is **on**, press **Talk** or **Call** button to begin scanning channels.
 - While the current setting is **on**, do not press any button for 6 seconds to begin scanning channels.
 - While the current setting is **off**, press **Mode** button to proceed to other functions.
 - While the current setting is **off**, press **Talk** or **Call** button to return to **Standby** mode.
 - While the current setting is **off**, do not press any buttons for 6 seconds to return to **Standby** mode.

The radio will check privacy codes while scanning channels.

The **Scan** icon will continue to be displayed when scan is **on**. Your radio will continue to scan all channels and stop if an incoming transmission is detected. Your radio will remain on that channel for 8 seconds after the last incoming transmission.

During scanning (while receiving an incoming transmission), you can choose from the following:

- Press and hold the **Talk** button to communicate on that channel. Your radio will remain on that channel and return to **Standby** mode.
- Press the **Up** or **Down** button to resume scanning channels.
- Press the **Talk** or **Call** button to return to Standby.

Ten Call Tone Settings

You can choose between ten different **Call Tone Settings** to transmit a call alert.

- To change a call tone setting:**
- Press the **Mode** button until the letter “C” and the current call tone number (01 through 10) is displayed. The current call tone will sound for three seconds.
 - Press the **Up** or **Down** button to hear the other call tone settings.
 - Choose one of the following:
 - Press the **Mode** button to enter the new setting and proceed to other functions.
 - Press **Talk** or **Call** button to save the new setting and return to **Standby** mode.
 - Do not press any buttons for 6 seconds to save the new setting and return to **Standby** mode.

Roger Beep Confirmation Tone

Your listener will hear an audible tone when you release the **Talk** button. This alerts the other party that you are finished talking and it is OK for them to speak.

- To turn roger beep on or off:**
- Press the **Mode** button until the **Roger Beep** icon flashes. The current **on** or **off** setting is displayed.
 - Press the **Up** or **Down** button to select Roger Beep **on** or **off**.
 - Choose one of the following:
 - Press the **Mode** button to enter the new setting and proceed to other functions.
 - Press **Talk** or **Call** button to save the new setting and return to **Standby** mode.
 - Do not press any buttons for 6 seconds to save the new setting and return to **Standby** mode.

Key Tone On/Off

When **Key Tone** is **On**, an audible tone will sound each time a button is pressed.

- To turn key tone on or off:**
- Press the **Mode** button until **Key Tone** icon flashes. Current key tone status **on** or **off** will flash.
 - Press the **Up** or **Down** button to select key tone on or off.
 - Choose one of the following:
 - Press the **Mode** button to enter the new setting and return to **Standby** mode.
 - Press **Talk** or **Call** button to save the new setting and return to **Standby** mode.
 - Do not press any buttons for 6 seconds to save the new setting and return to **Standby** mode.

Set High / Low Transmit Power Level

Your radio can transmit selectively at 0.5 or 1.5 watts of power. Use the low power setting for short-range communications and use the high power setting for long-range communications.

- To toggle between High/Low Power Modes:**
- Press and hold the **HI/LOW** button until **Low** icon toggled. (**Low** icon means the current channel that set as low power output, otherwise it is in **High** power mode)
- Channel 8–14, 34–37 only operates on Low power setting.

NOAA® All Hazards Radio Channels

You can use your microTALK® radio to listen to **NOAA All Hazards Radio** channels transmitting in your area.

- To listen to All Hazards Radio channels:**
- Press the **Weather** button once until the **All Hazards Radio** icon and the currently selected **All Hazards Radio** channel are displayed.
 - Use the **Up** or **Down** button to change **All Hazards Radio** channels.
 - The **All Hazards Radio** icon will continue to be displayed when **All Hazards Radio** is on.
 - To exit **All Hazards Radio**, press and hold the **Weather** button.

*National Oceanographic and Atmospheric Administration

Weather (WX) Alert Mode

Turning On the Weather Alert function will allow your radio to automatically receive NOAA weather signals and warnings from designated weather broadcast stations. If the radio is turned ON, it will alert to Weather and other emergency alerts broadcast by NOAA.

- This feature is set to OFF by default.
 - Make sure the strongest Weather channel is selected for your area using the channel selection in the previous menu.
- To turn Weather Alert On or Off:**
- Press the **Weather** button twice until the **Weather Alert** icon flashes on the display. The current On or Off setting is displayed.
 - Press the **Up** or **Down** button to turn Weather Alert On or Off.
 - Press and hold the **Weather** button again to save the new setting and exit the **Weather Alert** Mode and return to **Standby** mode. The Weather Alert icon show on the display when it turned on.

Emergency Alert Mode

The Emergency Alert feature can be used to signal members in your group of your need for urgent help. RX380 series radios will operate in an automatic “hands-free” emergency control mode for a total of 30 seconds after activating the Emergency Alert. RX380 series radios in your group will automatically advance the speaker volume to the maximum setting and sound a warbling alert tone for 8 seconds. The alert tone is emitted from your own radio speaker and the receiving radios in your group. After the 8 seconds alert, any spoken words or incidental sounds at your end will be transmitted to the group for 22 seconds. For the 30 seconds duration of Emergency Alert mode, RX380 series radio controls and buttons will be locked to maximize reception of the emergency message.

- Press and hold the **Emergency Alert** button for 3 seconds.
- Release the button after the LCD backlight flashes and the alert tone begins to sound. There is no need to continue to hold the **Emergency Alert** button or use PTT for your message to be transmitted.
- After the alert tone ends you may speak into the microphone. Your voice or incidental sounds will be transmitted. The LCD backlight will continue to flash for the duration of the 22 seconds period.
- After 30 seconds your radio speaker will emit a Talk Confirmation Tone and the LCD backlight will stop flash. Operation then returns to normal two-way mode.

Note: All Cobra RX380 / RX680 / CX900 / PX650 series radios are fully compatible with the Emergency Alert feature if they would be tuned to the same channel and same privacy code. Radio brands other than Cobra RX380 / RX680 / CX900 / PX650 series can receive the emergency alert signal, but may not respond with adjusted volume settings, locked controls, or a warbling alert tone. Users of other radio models set to the same channel and code will hear a steady tone for 8 seconds followed by the voice transmission for 22 seconds.

Warning: The Emergency Alert feature should only be used in the event of an actual emergency. Cobra is not responsible if there is no response to the emergency alert from the receiving group.

Operation

General Specifications

Frequency Allocation and Compatibility

A = Channel No. for 40 Channel Models
B = Frequency in MHz
C = Power Output
D = Code System / Code No.

A	B	C	D	A	B	C	D
1	462.5625	High	ANY	21	462.7000	High	ANY
2	462.5875	High	ANY	22	462.7250	High	ANY
3	462.6125	High	ANY	23	462.5625	High	CTCSS / 38
4	462.6375	High	ANY	24	462.6125	High	CTCSS / 35
5	462.6625	High	ANY	25	462.6625	High	CTCSS / 32
6	462.6875	High	ANY	26	462.7125	High	CTCSS / 29
7	462.7125	High	ANY	27	462.5500	High	CTCSS / 26
8	467.5625	Low	ANY	28	462.6000	High	CTCSS / 23
9	467.5875	Low	ANY	29	462.6500	High	CTCSS / 20
10	467.6125	Low	ANY	30	462.7000	High	CTCSS / 17
11	467.6375	Low	ANY	31	462.5875	High	DCS / 1
12	467.6625	Low	ANY	32	462.6375	High	DCS / 4
13	467.6875	Low	ANY	33	462.6875	High	DCS / 7
14	467.7125	Low	ANY	34	467.5625	Low	DCS / 10
15	462.5500	High	ANY	35	467.6125	Low	DCS / 13
16	462.5750	High	ANY	36	467.6625	Low	DCS / 16
17	462.6000	High	ANY	37	467.7125	Low	DCS / 19
18	462.6250	High	ANY	38	462.5750	High	DCS / 22
19	462.6500	High	ANY	39	462.6250	High	DCS / 25
20	462.6750	High	ANY	40	462.6750	High	DCS / 28

The NOAA NWR Frequency Table

Channel No.	NWR Frequency	Channel No.	NWR Frequency
1	162.5500	6	162.5000
2	162.4000	7	162.5250
3	162.4750	8	161.6500
4	162.4250	9	161.7750
5	162.4500	10	163.2750

- IMPORTANT NOTICE:**
- WARNING:** Changes or modifications to this unit not expressly approved by the party responsible for compliance could void the user’s authority to operate the equipment.
- This device complies with part 15 of the FCC Rules. Operation is subject to the following two conditions: 1) This device may not cause harmful interference, and 2) this device must accept any interference received, including interference that may cause undesired operation.
- NOTE:** This equipment has been tested and found to comply with the limits for a Class B digital device, pursuant to Part 15 of the FCC Rules. These limits are designed to provide reasonable protection against harmful interference in a residential installation. This equipment generates, uses and can radiate radio frequency energy and, if not installed and used in accordance with the instructions, may cause harmful interference to radio communications.
- However, there is no guarantee that interference will not occur in a particular installation. If this equipment does cause harmful interference to radio or television reception, which can be determined by turning the equipment off and on, the user is encouraged to try to correct the interference by one or more of the following measures:
- Reorient or relocate the receiving antenna.
 - Increase the separation between the equipment and receiver.
 - Connect the equipment into an outlet on a circuit different from that to which the receiver is connected.
 - Consult the dealer or an experienced radio/TV technician for help.

Safety Information for microTALK Radios

Your wireless handheld portable transceiver contains a low power transmitter. When the talk button is pushed, it sends out radio frequency (RF) signals. The device is authorized to operate at a duty factor not to exceed 50%. In August 1996, the Federal Communications Commissions (FCC) adopted RF exposure guidelines with safety levels for handheld wireless devices.

Important
 FCC RF Exposure Requirements: For body-worn operation, this radio has been tested and meets the FCC RF exposure guidelines when used with Cobra accessories supplied or designated for this product. Use of other accessories may not ensure compliance with FCC RF exposure guidelines. Use only the supplied antenna. Unauthorized antennas, modifications or attachments could damage the transmitter and may violate FCC regulations.

Normal Position:
 Hold the transmitter approximately two (2) inches from your face and speak in a normal voice, with the antenna pointed up and away.

- FCC Part 15.21 Warning Statement-**
NOTE: THE GRANTEE IS NOT RESPONSIBLE FOR ANY CHANGES OR MODIFICATIONS NOT EXPRESSLY APPROVED BY THE PARTY RESPONSIBLE FOR COMPLIANCE. SUCH MODIFICATIONS COULD VOID THE USER’S AUTHORITY TO OPERATE THE EQUIPMENT.
- IC RSS-GEN**
 This device complies with Industry Canada license-exempt RSS standard(s). Operation is subject to the following two conditions:
 (1) this device may not cause interference, and
 (2) this device must accept any interference, including interference that may cause undesired operation of the device.
- Le présent appareil est conforme aux CNR d’Industrie Canada applicables aux appareils radio exempts de licence. L’exploitation est autorisée aux deux conditions suivantes:
 (1) l’appareil ne doit pas produire de brouillage, et
 (2) l’utilisateur de l’appareil doit accepter tout brouillage radioélectrique subi, même si le brouillage est susceptible d’en compromettre le fonctionnement.

- Radiation Exposure Statement:**
 Under ISERC regulations, this radio transmitter may only operate using the antenna that is affixed to the radio transmitter. Use only the supplied antenna. Unauthorized antennas, modifications, or attachments could damage the transmitter and may void the user’s authority to operate the radio.
- Any changes of modifications not expressly approved by the party responsible for compliance could void the user’s ability to operate the equipment.
- SAR tests are conducted using standard operating positions accepted by the FCC/ISED with the device transmitting at its highest certified power level in all tested frequency bands. Although the SAR is determined at the highest certified power level, the actual SAR level of the device while operating can be well below the maximum value.
- This device has been tested and certified to not exceed the exposure limit established by the FCC/ISED. Tests for each device are performed in positions and locations (e.g. at the ear and worn on the body) as required by the FCC/ISED.
- For body worn operation, this device has been tested and meets the FCC/ISED RF exposure guidelines when used with an accessory designated for this product or when used with an accessory that contains no metal and that positions the handset a minimum of 10mm from the body. Non-compliance with the above restrictions may result in a violation of RF exposure guidelines.

Warranty & Trademark Acknowledgment

- Limited One-Year Warranty**
 Cobra warrants your product against all defects in materials and workmanship for a period of one (1) year from the date of original purchase.
- Cobra, at our sole discretion, will repair or replace your product (with the same or comparable product) free of charge.
- Cobra will not pay shipping charges that you incur for sending your product to us. Products received COD will be refused.

To make a warranty claim, we will require proof of purchase in the form of an invoice or receipt. No proof of purchase is required for factory direct purchases.

Warranty Exclusions: Warranty does not apply to your product under any of the following conditions: 1. The serial number has been removed or modified. 2. Your product has been subjected to misuse or damage (including water damage, physical abuse, and/or improper installation). 3. Your product has been modified in any way. 4. Your receipt or proof-of-purchase is from a non-authorized dealer or internet auction site including E-bay, U-bid, or other non-authorized resellers.

LIMITATION OF WARRANTY: EXCEPT AS EXPRESSLY PROVIDED HEREIN, YOU ARE ACQUIRING THE PRODUCT “AS IS” AND “WHERE IS”, WITHOUT REPRESENTATION OR WARRANTY. COBRA SPECIFICALLY DISCLAIMS ANY REPRESENTATION OR WARRANTY INCLUDING, BUT NOT LIMITED TO THOSE CONCERNING THE MERCHANTABILITY AND SUITABILITY OF THE PRODUCT FOR A PARTICULAR PURPOSE. COBRA SHALL NOT BE LIABLE FOR CONSEQUENTIAL, SPECIAL OR INCIDENTAL DAMAGES INCLUDING, WITHOUT LIMITATION, DAMAGES ARISING OUT OF THE USE, MISUSE OR MOUNTING OF THE PRODUCT.

The above limitations or exclusions shall be limited to the extent they violate the laws of any particular state. Cobra is not responsible for products lost in shipment between the owner and our service center.

General Warranty Information
 Each product we manufacture is covered by our factory warranty. While each product may have unique components and policy, the general guideline below will apply to most Cobra products.

All Cobra products purchased factory-direct or from our Authorized Resellers will come with a full one to three (1-3) year warranty from the date of the original retail purchase (see policy statement above for full warranty details and exclusions).

Standard accessories packaged with each model will have a one-year factory warranty. Accessory items have a one-year factory warranty.

Shipping to our facility is not covered in our warranty. Return shipping is included within the US. This warranty is non-transferrable.

For the sake of clarity, ‘repair or replace the Product or its defective part’ does not include removal or installation work, costs or expenses which include but are not limited to labor costs or expenses.

Cobra will not be responsible for lost packages.



Notes

For Products Purchased Outside the U.S.A.
 Please contact your authorized local reseller or agent for warranty information.

Trademark Acknowledgment
 ©2022 Cobra Electronics Corporation. Cobra and the snake design are proprietary trademarks of Cobra Electronics Corporation, USA. Other trademarks and trade names are those of their respective owners.

Cobra Electronics Corporation™ is a trademark of Cobra Electronics Corporation, USA.