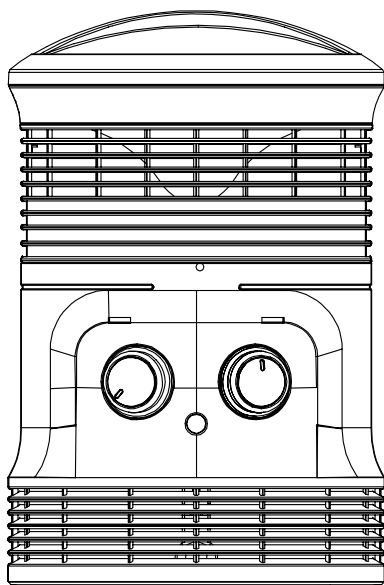


# BLACK+<sup>®</sup> DECKER

## PORTABLE DESKTOP SURROUND HEATER INSTRUCTION MANUAL

CATALOG NUMBER  
BHDS156



Thank you for choosing BLACK+DECKER!

**PLEASE READ BEFORE RETURNING THIS PRODUCT FOR ANY REASON.**

If you have a question or experience a problem with your BLACK+DECKER purchase, go to [www.blackanddecker.com/instantanswers](http://www.blackanddecker.com/instantanswers)

If you can't find the answer or do not have access to the Internet, call 844-299-0879 from 10:30 a.m. to 6:30 p.m. EST Mon. - Fri. to speak with an agent. Please have the catalog number available when you call.

**SAVE THIS MANUAL FOR FUTURE REFERENCE.**



# CONTENTS

## SAFETY INFORMATION

Important Safety Instructions.....	4-6
Electrical Requirements.....	5

## SET UP & USE

Parts & Features .....	7
Operating Instructions .....	8
Care & Cleaning .....	9

## TROUBLESHOOTING & WARRANTY

Troubleshooting.....	10
Limited Warranty.....	11

# SPECIFICATIONS

Voltage: 120V, 60Hz  
Power Consumption: 1500W  
Unit Size (WxDxH): 7.87" x 8.07" x 12.01"

# PRODUCT REGISTRATION

Thank you for purchasing our BLACK+DECKER product. This easy-to-use manual will guide you in getting the best use of your heater.

Remember to record the model and serial numbers. They are on a label on the rear.

\_\_\_\_\_

Model number

\_\_\_\_\_

Serial number

\_\_\_\_\_

Date of purchase

Staple your receipt to your manual. You will need it to obtain warranty service.

# SAFETY INFORMATION

## **DANGER**

**DANGER** - Immediate hazards which **WILL** result in severe personal injury or death

## **WARNING**

**WARNING** - Hazards or unsafe practices which **COULD** result in severe personal injury or death

## **CAUTION**

**CAUTION** - Hazards or unsafe practices which **COULD** result in minor personal injury

# IMPORTANT SAFETY INSTRUCTIONS

## **WARNING**

When using electrical appliances, basic safety precautions should be followed, including the following

When using electrical appliances, basic precautions should always be followed to reduce the risk of fire, electric shock, and injury to persons, including the following:

1. Read all instructions before using this heater.
2. This heater is hot when in use. To avoid burns, do not let bare skin touch hot surfaces. If provided, use handles when moving this heater. Keep combustible materials, such as furniture, pillows, bedding, papers, clothes, and curtains at least 3 feet (0.9m) from the front of the heater and keep them away from the sides and rear.
3. Extreme caution is necessary when any heater is used by or near children or invalids and whenever the heater is left operating and unattended.
4. Always unplug heater when not in use.
5. Do not operate any heater with a damaged cord or plug or after the heater malfunctions, has been dropped or damaged in any manner. Discard heater or return heater to authorized service facility for examination, electrical or mechanical adjustment, or repair.
6. Do not use outdoors.
7. This heater is not intended for use in bathrooms, laundry areas and similar indoor locations. Never locate heater where it may fall into bathtub or other water container.
8. Do not run cord under carpeting. Do not cover cord with throw rugs, runners, or similar coverings. Do not route cord under furniture or appliances. Arrange cord away from traffic area and where it will not be tripped over.
9. To disconnect heater, first turn controls to off, then remove plug from outlet.
10. Do not insert or allow foreign objects to enter any ventilation or exhaust opening as this may cause an electric shock or fire, or damage the heater.
11. To prevent a possible fire, do not block air intakes or exhaust in any manner. Do not use on soft surfaces, like a bed, where openings may become blocked.

## SAFETY INFORMATION

12. A heater has hot and arcing or sparking parts inside. Do not use it in the areas where gasoline, paint, or flammable liquids are used or stored.
13. Use this heater only as described in this manual. Any other use not recommended by the manufacturer may cause fire, electric shock, or injury to persons.
14. **Always plug heaters directly into a wall outlet/receptacle. Never use with an extension cord or relocatable power tap (outlet/power strip).**
15. This heater draws 12.5 amps during operation. To prevent overloading a circuit, plug it into a dedicated power outlet.
16. The output of this heater may vary and its temperature may become intense enough to burn exposed skin. Use of this heater is not recommended for persons with reduced sensitivity to heat or an inability to react to avoid burns.
17. Don't leave the heater on unattended.


## SAVE THESE INSTRUCTIONS HOUSEHOLD USE ONLY

### ELECTRICAL REQUIREMENTS

This appliance has a polarized plug (one blade is wider than the other). To reduce the risk of electric shock, this plug is intended to fit into a polarized outlet only one way. If the plug does not fit into the outlet, reverse the plug. If it still does not fit, contact a qualified electrician.

 **WARNING:** Do not attempt to modify the plug in any way.

**NOTE:** Neither BLACK+DECKER nor the dealer can accept any liability for damage to the product or personal injury resulting from failure to observe the electrical connection procedures.

 **WARNING:** To reduce the risk of electric shock, do not use with an extension cord.

 **WARNING - RISK OF FIRE**

It is important the plug fits tightly into the wall outlet.

If the plug does not fit securely and appears loose, it should not be used.

Have a licensed electrician replace the receptacle.

## SAFETY INFORMATION

### OVERHEAT SAFETY FEATURE

The heater is equipped with a overheat safety feature. When the Heater's internal components reach certain temperature that could cause overheating, the unit will automatically shut off. The heater can be reset by unplugging it from the wall outlet. After it has cooled down [approximately 30 minutes], plug the unit back in and turn it back on.

#### **WARNING**

It is normal for the power cord to feel warm to the touch; however, a loose fit between the outlet and the plug may cause overheating of the plug. If this occurs, try inserting the plug into a different outlet.

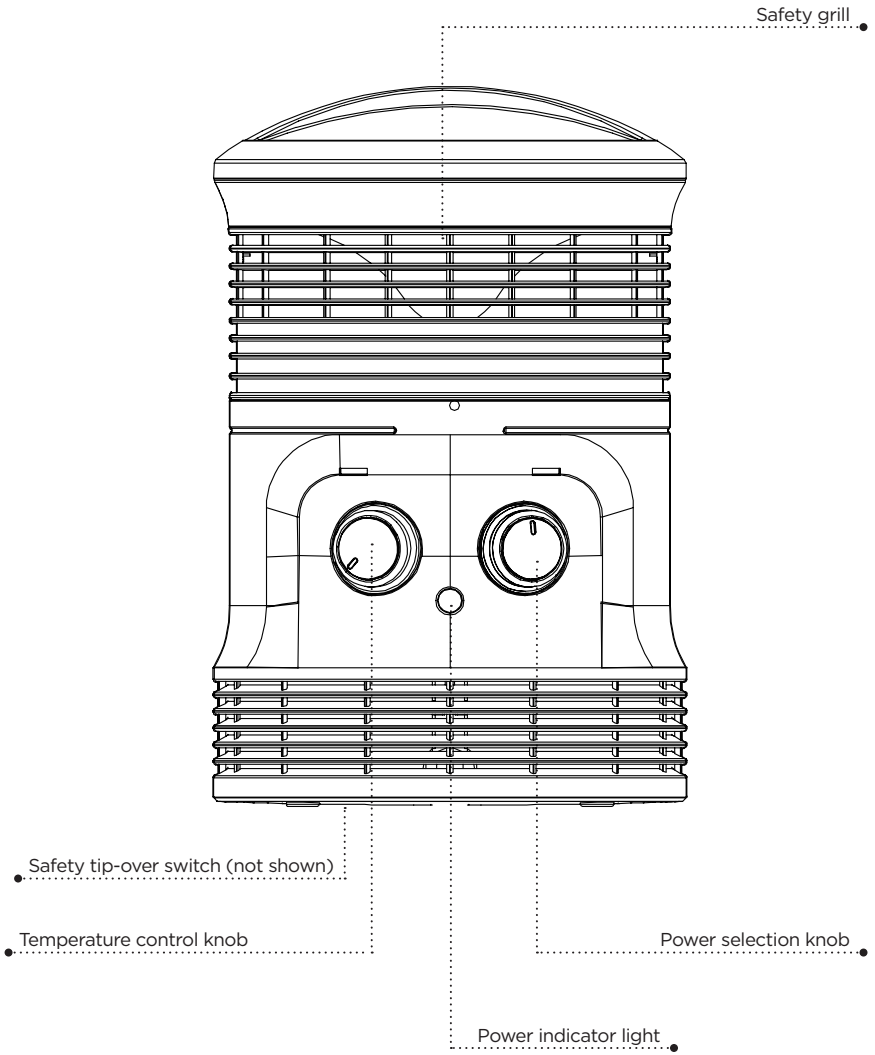
Contact a qualified electrician to inspect the original outlet for damage.

### TIP-OVER SAFETY FEATURE

This heater is equipped with a tip-over safety feature. Once the heater is tipped over, an internal switch will automatically shut the heater off. Once the heater is restored to an upright position, the heater will reset. To continue operation, turn heater back on.

# SET UP & USE

## PARTS & FEATURES



# SET UP & USE

## OPERATING INSTRUCTIONS

Place the heater on a firm, level surface and plug the unit directly into a 120 V AC electrical outlet.

**NOTE:** Only operate heater in upright position.

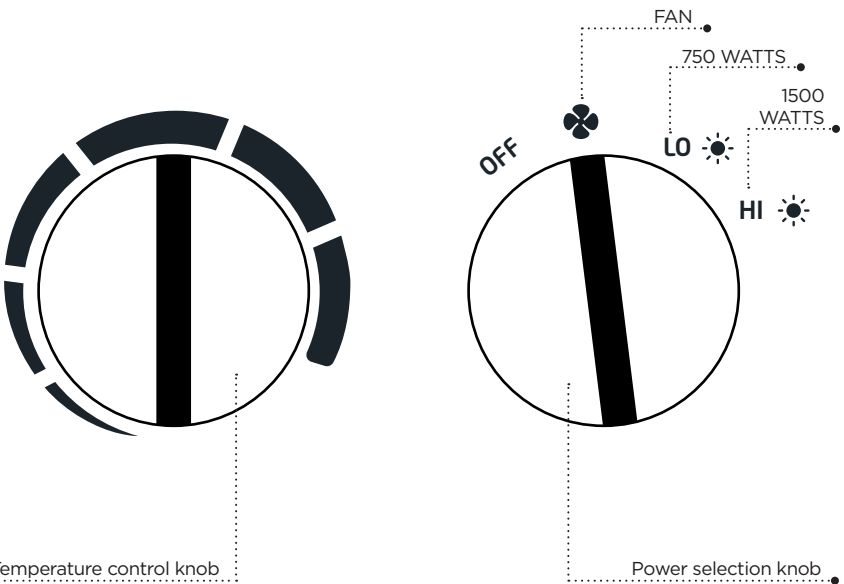
1. Turn the thermostat knob clockwise (right) direction until it reaches the maximum setting.
2. Turn the heat control knob clockwise (right) from the **OFF** position to the **FAN ONLY** (🌀), **LOW** (🔆) (750 watts) or **HIGH** (🔆) (1500 watts).

The power indicator light turns on when either the, FAN, LOW or HIGH setting is selected.

When the desired temperature/comfort level is reached, lower the thermostat knob until the heater stops operating. The thermostat will automatically maintain the desired temperature level by cycling the heater on and off.

**NOTE:** Turning the TEMPERATURE control knob clockwise will increase the temperature setting.

Turn the fan/heat control knob to "OFF" to shut off the unit.





# CARE & CLEANING

## MAINTENANCE

 **WARNING:** Turn power off before cleaning.

1. Unplug the unit and let it cool completely.
2. DO NOT use alcohol, gasoline, abrasive powders, furniture polish, or rough brushes to clean the heater. This may cause damage or deterioration to the surface of the heater.
3. DO NOT immerse the heater in water.
4. Wait until the unit is completely dry before use.
5. To keep the heater clean, the outer shell may be cleaned with a soft, damp cloth. You may use a mild detergent if necessary. After cleaning, dry the unit with a soft cloth.

 **CAUTION:** DO NOT let liquid enter the heater.

## STORAGE

Store the heater in a cool, dry location when not in use. To prevent dust and dirt build-up, use the original packaging to repack the unit.

# TROUBLESHOOTING & WARRANTY

## BEFORE YOU CALL FOR SERVICE

IF THE HEATER/FAN FAILS TO OPERATE:

- A) Check to make sure that the heater/fan is plugged in securely. If it is not, remove the plug from the outlet, wait 10 seconds and plug it in again securely.
- B) Check for a blown circuit fuse or a tripped main circuit breaker. If these seem to be operating properly, test the outlet with another appliance.
- C) Check if electricity to the main power switch of the unit appears to be working.
- D) Make sure the heater is in the upright position.

**NOTE:** For the heater to function properly, the desired temperature on the heater must be set a few degrees higher than the temperature in the room. If the unit seems to not be heating properly, increase the desired temperature on the heater to fully engage the heating elements.

IF NONE OF THE ABOVE SOLVES THE PROBLEM, CONTACT A QUALIFIED TECHNICIAN.

 **WARNING:** DO NOT TRY TO ADJUST OR REPAIR THE HEATER/FAN YOURSELF.

## CUSTOMER SERVICE

# IMPORTANT

### DO NOT RETURN THIS PRODUCT TO THE STORE

If you have a problem with this product, please contact the W Appliance Co. Customer Satisfaction Center at 844-299-0879 or [service@appliance.com](mailto:service@appliance.com)

**DATED PROOF OF PURCHASE, MODEL # AND SERIAL #  
REQUIRED FOR WARRANTY SERVICE**

# TROUBLESHOOTING & WARRANTY

## LIMITED WARRANTY

Any repair, replacement, or warranty service, and all questions about this product should be directed to W Appliance Co. at **844-299-0879** from the USA or Puerto Rico.

W Appliance Co. warrants to the original purchaser that the product will be free from defects in material, parts and workmanship for the period designated for this product. The warranty commences the day the product is purchased and covers up to a period of **1 year (12 months) for labor/1 year (12 months) for parts (manufacturing defects only)**.

W Appliance Co. agrees that it will, at its option, replace the defective product with either a new or remanufactured unit equivalent to your original purchase during the warranty period.

**Exclusions:** This warranty does not apply to the below:

1. If the appearance or exterior of the product has been damaged or defaced, altered or modified in design or construction.
2. If the product original serial number has been altered or removed or cannot be readily determined.
3. If there is damaged due to power line surge, user damage to the AC power cord or connection to improper voltage source.
4. If damage is due to general misuse, accidents or acts of God.
5. If repair attempts are done by unauthorized service agents, use of parts other than genuine parts or parts obtained from persons other than authorized service companies.
6. On units that have been transferred from the original owner.
7. On products that have been purchased as refurbished, like new, second-hand, in a "As-Is" or "Final Sale" terms.
8. To products used in a commercial or rental setting.
9. To products used in settings other than ordinary household use or used other than in accordance with the provided instructions.
10. To damages for service calls for improper installations.
11. Transportation and shipping costs associated with the replacement of the unit.
12. Service calls to instruct you how to use your product.
13. Service calls to repair or replace the house fuse, reset the circuit breaker or correct the wiring in the house.

REPAIR OR REPLACEMENT AS PROVIDED UNDER THIS WARRANTY IS THE EXCLUSIVE REMEDY OF THE CUSTOMER; W Appliance Co. SHALL NOT BE LIABLE FOR ANY INCIDENTAL OR CONSEQUENTIAL DAMAGES FOR BREACH OF ANY EXPRESS OR IMPLIED WARRANTY ON THIS PRODUCT, EXCEPT TO THE EXTENT PROHIBITED BY APPLICABLE LAW. ANY IMPLIED WARRANTY OF MERCHANTABILITY OF FITNESS FOR A PARTICULAR PURPOSE ON THIS PRODUCT IS LIMITED TO THE DURATION OF THE WARRANTY.

Some states do not allow the exclusion or limitations of incidental or consequential damages, or limitations on how long the warranty lasts. In these cases the above exclusions or limitations may not apply to you. This warranty gives you specific legal rights and you may also have other rights which vary from state to state.

**Obtaining Service:** To obtain service, product literature, supplies or accessories please call **844-299-0879** to create a ticket for exchange/repair. Please make sure to provide the date of purchase, model number and a brief description of the problem. Our customer service representative will contact you or send detailed return instructions.

W Appliance Co. does not warrant that the appliance will work properly in all environmental conditions, and makes no warranty and representation, either implied or expressed, with respect to the quality, performance, merchantability, or fitness for a particular purpose other than the purpose identified within this user's manual. W Appliance Co. has made every effort to ensure that this user's manual is accurate and disclaims liability for any inaccuracies or omissions that may have occurred. Information in this user's manual is subject to change without notice and does not represent a commitment on the part of W Appliance Co. W Appliance Co. reserves the right to make improvements to this user's manual and/or to the products described in this user's manual at any time without notice. If you find information in this manual that is incorrect, misleading, or incomplete, please contact us at **844-299-0879**.

W Appliance Co.  
1356 Broadway  
New York, NY 10018

BLACK & DECKER, BLACK+DECKER, the BLACK & DECKER and BLACK+DECKER logos and product names and the orange and black color scheme are trademarks of The Black & Decker Corporation, used under license. All rights reserved.

Product in this box may differ slightly from that pictured. Does not affect function. Not all accessories shown in photography are included in this package.

Imported by W Appliance, Inc., 1356 Broadway, New York, NY 10018





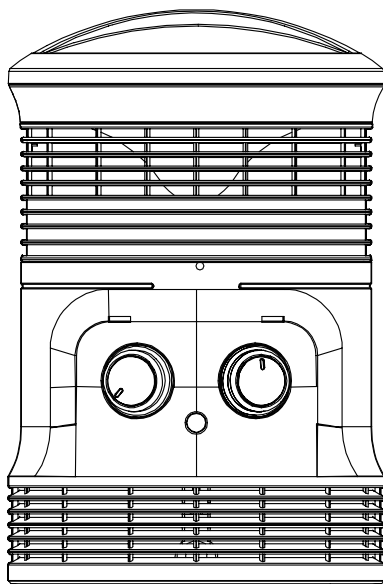
# BLACK+<sup>®</sup> DECKER

## CHAUFFAGE SURROUND PORTABLE

### MANUEL D'INSTRUCTIONS

NUMÉRO DE CATALOGUE

**BHDS156**



Merci d'avoir choisi BLACK+DECKER!

**VEUILLEZ LIRE AVANT DE RETOURNER CE PRODUIT POUR  
UNE RAISON QUELCONQUE.**

Si vous avez une question ou rencontrez un problème avec votre achat

BLACK+DECKER, allez sur [www.blackanddecker.com/instantanswers](http://www.blackanddecker.com/instantanswers)

Si vous ne trouvez pas la réponse ou n'avez pas accès à l'internet, appelez au  
844-299-0879 de 10 h 30 à 18 h 30 HNE du lundi au vendredi pour parler  
avec un agent. Veuillez avoir le numéro de catalogue disponible lorsque vous  
appelez.

**GARDEZ CE MANUEL POUR RÉFÉRENCE FUTURE.**





# TABLE DES MATIÈRES

## INFORMATION SUR LA SÉCURITÉ

Consignes De Sécurité Importantes.....	18-20
Exigences Électriques.....	19

## CONFIGURATION ET UTILISATION

Pièces Et Caractéristiques.....	21
Mode d'Emploi.....	22
Entretien Et Nettoyage.....	23

## DÉPANNAGE ET GARANTIE

Dépannage.....	24
Garantie Limitée.....	25

# SPÉCIFICATIONS

Tension: 120V, 60Hz

Consommation d'Énergie: 1500W

Taille De l'Unité (LxPxH): 7.87" x 8.07" x 12.01"

# ENREGISTREMENT DU PRODUIT

Nous vous remercions d'avoir acheté notre produit BLACK+DECKER. Ce manuel facile à utiliser vous guidera pour tirer le meilleur parti de votre chauffage.

N'oubliez pas d'enregistrer les numéros de modèle et de série. Ils sont sur une étiquette à l'arrière.

---

Numéro de modèle

---

Numéro de série

---

Date d'achat

Agrafez votre reçu dans votre manuel. Vous en aurez besoin pour obtenir du service de garantie.

# INFORMATION SUR LA SÉCURITÉ

## DANGER

**DANGER** - Dangers immédiats qui **VONT** entraîner des blessures graves ou la mort

## AVERTISSEMENT

**AVERTISSEMENT** - Dangers ou pratiques dangereuses qui **POURRAIENT** entraîner des blessures graves ou la mort

## ATTENTION

**ATTENTION** - Dangers ou pratiques dangereuses qui **POURRAIENT** entraîner des blessures corporelles mineures

# CONSIGNES DE SÉCURITÉ IMPORTANTES

## AVERTISSEMENT

Lors de l'utilisation d'appareils électriques, les précautions de sécurité de base doivent être suivies, y compris les suivants

Lors de l'utilisation d'appareils électriques, les précautions de base doivent toujours être suivies pour réduire le risque d'incendie, choc électrique et blessures aux personnes, y compris les suivants:

1. Lisez toutes les instructions avant d'utiliser ce chauffage.
2. Ce chauffage est chaud lorsqu'il est utilisé. Pour éviter les brûlures, ne laissez pas la peau nue toucher des surfaces chaudes. Le cas échéant, utilisez les poignées pour déplacer ce chauffage. Gardez les matériaux combustibles, tels que meubles, oreillers, literie, papiers, vêtements et rideaux à au moins 3 pieds (0.9 m) de l'avant l'appareil de chauffage et éloignez-les des côtés et de l'arrière.
3. Une extrême prudence est nécessaire lorsqu'un chauffage est utilisé par ou près des enfants ou invalides et chaque fois que le chauffage est laissé en marche et sans surveillance.
4. Débranchez toujours le chauffage lorsqu'il n'est pas utilisé.
5. Ne pas faire fonctionner un chauffage avec un cordon ou une fiche endommagés ou après un mauvais fonctionnement du chauffage, il a été échappé ou a été endommagé d'une manière quelconque. Jetez le chauffage ou renvoyez le chauffage à un centre de service autorisé pour un examen, un réglage électrique ou mécanique ou une réparation.
6. Ne l'utilisez pas à l'extérieur.
7. Ce chauffage n'est pas destiné à être utilisé dans les salles de bains, les buanderies et autres emplacements intérieurs. Ne placez jamais le chauffage là où il pourrait tomber dans la baignoire ou autre réservoir d'eau.
8. Ne faites pas passer le cordon sous la moquette. Ne couvrez pas le cordon avec des tapis, carpettes ou revêtements similaires. Ne faites pas passer le cordon sous un meuble ou appareils électroménagers. Éloignez le cordon de la zone de circulation et où elle ne sera pas trébuché.
9. Pour déconnecter le chauffage, tournez d'abord les commandes sur arrêt, puis retirez la fiche de la prise.
10. Ne pas insérer ni permettre à des objets étrangers de pénétrer dans toute ouverture de ventilation ou d'échappement car cela peut provoquer un choc électrique ou incendie, ou endommager le chauffage.


# INFORMATION SUR LA SÉCURITÉ

11. Pour éviter un éventuel incendie, ne bloquez pas les entrées ou les sorties d'air d'une manière quelconque. Ne pas utiliser sur des surfaces molles, comme un lit, où les ouvertures peuvent se bloquer.
12. Un chauffage contient des pièces chaudes et produisant des arcs ou des étincelles à l'intérieur. Ne l'utilisez pas dans les endroits où l'essence, la peinture ou des liquides inflammables sont utilisés ou entreposés.
13. Utilisez ce chauffage uniquement comme décrit dans ce manuel. Toute autre utilisation non recommandé par le fabricant peut provoquer un incendie, choc électrique, ou des blessures aux personnes.
14. **Branchez toujours les chauffages directement dans une prise murale / réceptacle. Ne jamais utiliser avec une rallonge ou une prise d'alimentation amovible (prise / multiprise).**
15. Ce chauffage consomme 12.5 ampères pendant son fonctionnement. Pour éviter de surcharger un circuit, branchez-le dans une prise de courant dédiée.
16. La puissance de ce chauffage peut varier et sa température peut devenir suffisamment intense pour brûler la peau exposée. L'utilisation de ce chauffage n'est pas recommandé pour les personnes ayant une sensibilité réduite à la chaleur ou une incapacité à réagir pour éviter les brûlures.
17. Ne laissez pas le chauffage allumé sans surveillance.


## GARDEZ CES INSTRUCTIONS UTILISATION DOMESTIQUE UNIQUEMENT

### EXIGENCES ÉLECTRIQUES

Cet appareil est équipé d'une fiche polarisée (une lame est plus large que l'autre). Afin de réduire le risque de choc électrique, cette fiche est destinée à être insérée dans une prise polarisée dans un seul sens. Si la fiche ne s'insère pas dans la prise, inversez la fiche. S'il ne rentre toujours pas, contactez un électricien qualifié.

 **AVERTISSEMENT:** N'essayez en aucun cas de modifier la fiche.

**REMARQUE:** Ni BLACK+DECKER ni le revendeur ne peuvent accepter aucune responsabilité pour dommages au produit ou blessures corporelles résultant du non-respect des procédures de connexion électrique.

 **AVERTISSEMENT:** pour réduire le risque de choc électrique, ne pas utiliser avec une rallonge électrique.

#### **AVERTISSEMENT - RISQUE D'INCENDIE**

Il est important que la fiche s'enfonce fermement dans la prise murale. Si la fiche ne s'enfonce pas correctement et semble lousse, elle ne doit pas être utilisée.  
Faites remplacer la prise par un électricien agréé.

## INFORMATION SUR LA SÉCURITÉ

### FONCTION DE SÉCURITÉ CONTRE LA SURCHAUFFE

Le chauffage est équipé d'un dispositif de sécurité contre la surchauffe. Lorsque les composants internes du chauffage atteignent une certaine température qui pourrait provoquer une surchauffe, l'unité s'éteindra automatiquement. Le chauffage peut être réinitialisé en le débranchant de la prise murale. Une fois qu'il a refroidi [environ 30 minutes], rebranchez l'unité et rallumez-le.

#### **AVERTISSEMENT**

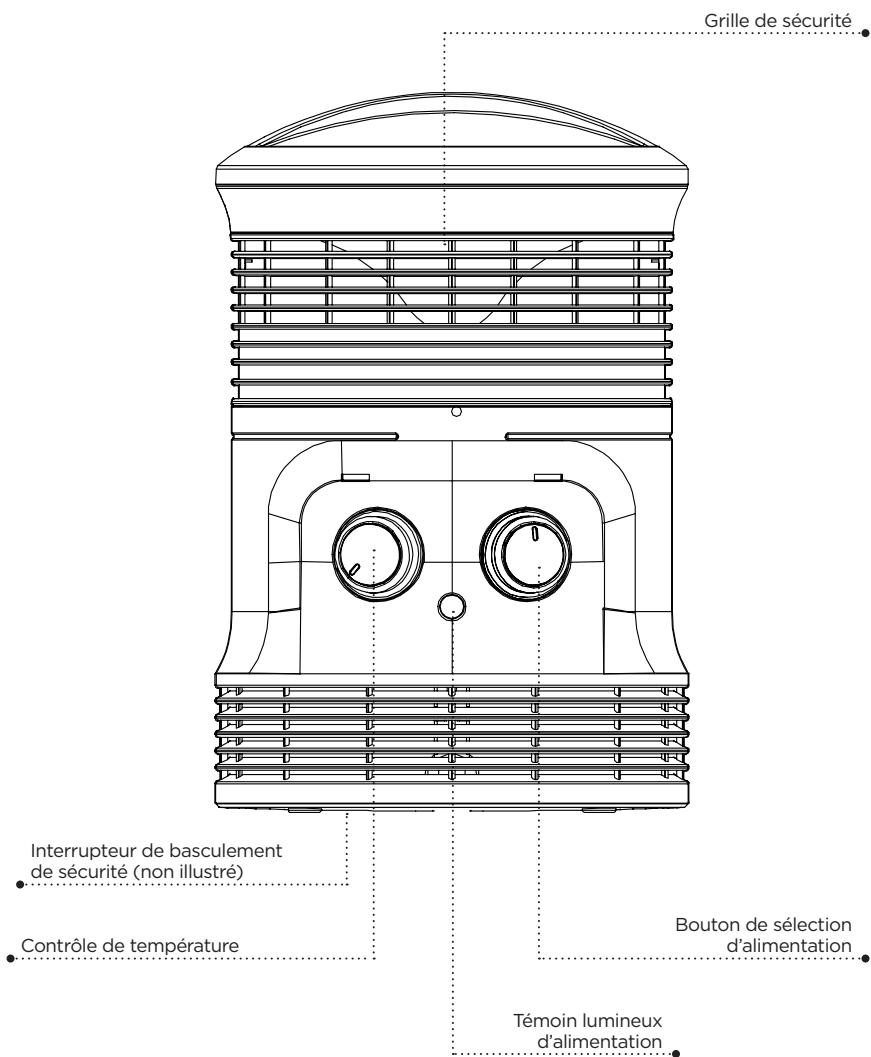
Il est normal que le cordon d'alimentation soit chaud au toucher; cependant, une connexion lâche entre la prise et la fiche peut provoquer une surchauffe de la fiche. Si ceci se produit, essayez d'insérer la fiche dans une autre prise. Contactez un électricien qualifié pour inspecter la prise d'origine pour des dommages.

### FONCTION DE SÉCURITÉ ANTI-BASCULEMENT

Ce chauffage est équipé d'un dispositif de sécurité anti-basculement. Une fois le chauffage est basculé, un interrupteur interne arrêtera automatiquement le chauffage. Une fois le chauffage remis en position verticale, le chauffage se réinitialise. Pour continuer l'opération, remettez le chauffage de nouveau en marche.

# CONFIGURATION ET UTILISATION

## PIÈCES ET CARACTÉRISTIQUES



# CONFIGURATION ET UTILISATION

## MODE D'EMPLOI

Placez le chauffage sur une surface ferme et plane et branchez l'appareil directement dans une prise électrique de 120 V CA.

**REMARQUE:** Ne faites fonctionner le chauffage qu'en position verticale.

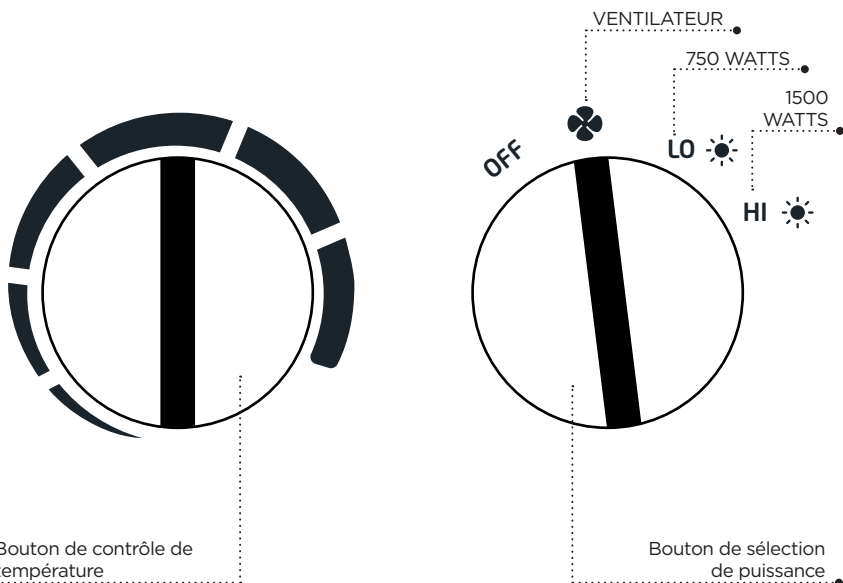
1. Tournez le bouton du thermostat dans le sens horaire (à droite) jusqu'à ce qu'il atteigne le réglage maximum.
2. Tournez le bouton de commande de chaleur dans le sens horaire (à droite) de la position **ARRÊT** à **VENT SEUL** (☼), **BAS** (LO ☼) (750 watts) or **HAUT** (HI ☼) (1500 watts).

Le voyant d'alimentation s'allume lorsque le réglage, VENT, BAS ou HAUT est sélectionné.

Lorsque la température / le niveau de confort souhaité est atteint, abaissez le bouton du thermostat jusqu'à ce que le chauffage cesse de fonctionner. Le thermostat maintiendra automatiquement le niveau de température voulu en activant et désactivant le chauffage.


**REMARQUE:** Tourner le bouton de commande TEMPÉRATURE dans le sens horaire augmentera le réglage de la température.

Tournez le bouton de commande du ventilateur / de la chaleur sur "ARRÊT" pour arrêter l'unité.



# ENTRETIEN ET NETTOYAGE

## ENTRETIEN

 **AVERTISSEMENT:** Mettez hors tension avant le nettoyage.

1. Débranchez l'appareil et laissez-le refroidir complètement.
2. NE PAS utiliser d'alcool, d'essence, de poudres abrasives, de vernis à meubles ou de brosses rugueuses pour nettoyer le chauffage. Ceci peut endommager ou détériorer la surface du chauffage.
3. NE PAS immerger le chauffage dans l'eau.
4. Attendez que l'appareil soit complètement sec avant de l'utiliser.
5. Pour garder le chauffage propre, la coque extérieure peut être nettoyée avec un chiffon doux et humide. Vous pouvez utiliser un détergent doux si nécessaire. Après le nettoyage, séchez l'unité avec un chiffon doux.

 **ATTENTION:** NE PAS laisser de liquide entrer dans le chauffage.

## ENTREPOSAGE

Entreposez le chauffage dans un endroit frais et sec lorsqu'il n'est pas utilisé. Pour éviter l'accumulation de poussière et de saleté, utilisez l'emballage d'origine pour remballer l'unité.

# DÉPANNAGE ET GARANTIE

## AVANT D'APPELER POUR LE SERVICE

SI LE CHAUFFAGE / VENTILATEUR NE FONCTIONNE PAS:

- A) Assurez-vous que le chauffage / ventilateur est bien branché. Si ce n'est pas le cas, retirez la fiche de la prise, attendez 10 secondes et rebranchez-la fermement.
- B) Recherchez un fusible de circuit grillé ou un disjoncteur principal déclenché. S'ils semblent fonctionner correctement, testez la prise avec un autre appareil.
- C) Vérifiez si l'électricité à l'interrupteur d'alimentation principal de l'unité semble fonctionner.
- D) Assurez-vous que le chauffage est en position verticale.

**REMARQUE:** Pour que le chauffage fonctionne correctement, la température voulue sur le chauffage doit être réglé de quelques degrés au-dessus de la température de la pièce. Si l'unité semble ne pas chauffer correctement, augmentez la température voulue sur le chauffage pour engager complètement les éléments chauffants.

SI AUCUN DES CHOIX CI-DESSUS NE RÉSOUD LE PROBLÈME, CONTACTEZ UN TECHNICIEN QUALIFIÉ.

 **AVERTISSEMENT:** N'ESSAYEZ PAS DE RÉGLER OU DE RÉPARER LE CHAUFFAGE / VENTILATEUR VOUS-MÊME.

## SERVICE À LA CLIENTÈLE

# IMPORTANT

## NE RETOURNEZ PAS CE PRODUIT AU MAGASIN

Si vous rencontrez un problème avec ce produit, veuillez contacter le Centre De Satisfaction Client W Appliance Co. au 844-299-0879 ou [service@appliance.com](mailto:service@appliance.com)

PREUVE D'ACHAT DATÉE, NUMÉRO DE MODÈLE ET NUMÉRO DE SÉRIE REQUIS POUR LE SERVICE DE GARANTIE



# DÉPANNAGE ET GARANTIE

## GARANTIE LIMITÉE

Toute réparation, remplacement ou service de garantie, et toutes les questions sur ce produit doivent être adressées à BLACK+DECKER au **844-299-0879** des États-Unis ou de Porto Rico.

BLACK+DECKER garantit à l'acheteur d'origine que le produit sera exempt de défauts de matériaux, de pièces et de fabrication pendant la période désignée pour ce produit. La garantie commence le jour de l'achat du produit et couvre jusqu'à une période de **1 an (12 mois) pour la main-d'œuvre / 1 an (12 mois) pour les pièces (défauts de fabrication uniquement)**. BLACK+DECKER accepte de remplacer, à son gré, le produit défectueux par une unité neuve ou réusinée équivalente à votre achat d'origine pendant la période de garantie.

**Exclusions:** Cette garantie ne s'applique pas aux éléments suivants:

1. Si l'appareil ou l'extérieur du produit a été endommagé ou dégradé, altéré ou modifié dans sa conception ou sa construction.
2. Si le numéro de série d'origine du produit a été modifié ou supprimé ou ne peut pas être facilement déterminé.
3. S'il est endommagé en raison d'une surtension, endommagement de l'utilisateur du cordon d'alimentation ou connexion à une source de tension incorrecte.
4. Si les dommages sont dus à une mauvaise utilisation générale, accidents ou catastrophes naturelles.
5. Si des tentatives de réparation sont effectuées par des agents de service non autorisés, l'utilisation de pièces autres que des pièces d'origine ou obtenues auprès de personnes autres que des compagnies de service autorisées.
6. Sur les unités qui ont été transférées du propriétaire d'origine.
7. Sur les produits achetés comme remis à neuf, comme neuf, d'occasion, en conditions "Tel Quel" ou "Vente Finale".
8. Aux produits utilisés dans un cadre commercial ou de location.
9. Aux produits utilisés dans des conditions autres que usage domestique ordinaire ou utilisé autrement que conformément aux instructions fournies.
10. Aux dommages-intérêts pour les appels de service pour installations incorrectes.
11. Frais de transport et d'expédition associés au remplacement de l'unité.
12. Appels de service pour vous expliquer comment utiliser votre produit.
13. Appels de service pour réparer ou remplacer le fusible de la maison, réinitialiser le disjoncteur ou corriger le câblage dans la maison.

LA RÉPARATION OU LE REMPLACEMENT TELS QUE PRÉVUS DANS LA PRÉSENTE GARANTIE SONT LE RECOURS EXCLUSIF DU CLIENT; BLACK+DECKER NE SERA PAS RESPONSABLE DES DOMMAGES ACCESSOIRES OU INDIRECTS POUR LA VIOLATION DE TOUTE GARANTIE EXPRESSE OU IMPLICITE SUR CE PRODUIT, SAUF DANS LA MESURE INTERDITE PAR LA LOI APPLICABLE. TOUTE GARANTIE IMPLICITE DE QUALITÉ MARCHANDE D'ADÉQUATION À UN USAGE PARTICULIER SUR CE PRODUIT EST LIMITÉE À LA DURÉE DE LA GARANTIE.

Certains états n'autorisent pas l'exclusion ou la limitation des dommages accessoires ou indirects, ni la limitation de la durée de la garantie. Dans ces cas, les exclusions ou limitations ci-dessus peuvent ne pas s'appliquer à vous. Cette garantie vous donne des droits légaux spécifiques et vous pouvez également avoir d'autres droits qui varient d'un état à l'autre.

**Obtention Du Service:** Pour obtenir du service, de la documentation sur les produits, des fournitures ou des accessoires, veuillez appeler au **844-299-0879** pour créer un ticket pour échange / réparation. Veuillez vous assurer de fournir la date d'achat, le numéro de modèle et une brève description du problème. Notre représentant du service client vous contactera ou enverra des instructions de retour détaillées.

BLACK+DECKER ne garantit pas que l'appareil fonctionnera correctement dans toutes les conditions environnementales et n'offre aucune garantie ni représentation, implicite ou explicite, en ce qui concerne la qualité, les performances, la qualité marchande ou l'adéquation à un usage particulier autre que celui identifié dans ce manuel d'utilisation. BLACK+DECKER a fait tout son possible pour garantir l'exactitude de ce manuel d'utilisation et décline toute responsabilité en cas d'inexactitudes ou d'omissions éventuelles. Les informations contenues dans ce manuel d'utilisation sont sujettes à modification sans préavis et ne représentent pas un engagement de la part de BLACK+DECKER. BLACK+DECKER se réserve le droit d'apporter des améliorations à ce manuel d'utilisation et / ou aux produits décrits dans ce manuel d'utilisation à tout moment et sans préavis. Si vous trouvez dans ce manuel des informations incorrectes, trompeuses ou incomplètes, veuillez nous contacter au **844-299-0879**.

W Appliance Co.  
1356 Broadway  
New York, NY 10018

BLACK & DECKER, BLACK+DECKER, les logos et noms de produits BLACK & DECKER et BLACK+DECKER et le schéma de couleur orange et noire sont des marques déposées de The Black & Decker Corporation, utilisées sous licence. Tous droits réservés.

Le produit dans cette boîte peut différer légèrement de celui illustré. N'affecte pas la fonction. Tous les accessoires illustrés sur la photographie ne sont pas inclus dans cet emballage.

Importé par W Appliance, Inc., 1356 Broadway, New York, NY 10018





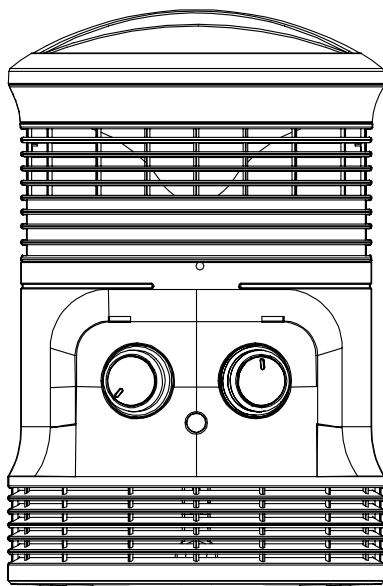
# BLACK+<sup>®</sup> DECKER

## CALENTADOR ENVOLVENTE DE ESCRITORIO PORTÁTIL

### MANUAL DE INSTRUCCIONES

NÚMERO DE CATÁLOGO

BHDS156



**¡Gracias por elegir BLACK+DECKER!**

**POR FAVOR, LEA ESTE MANUAL ANTES DE DEVOLVER ESTE PRODUCTO POR CUALQUIER MOTIVO.**

Si tiene alguna pregunta o tiene algún problema con su producto de BLACK+DECKER vaya a [www.blackanddecker.com/instantanswers](http://www.blackanddecker.com/instantanswers)

Si no puede encontrar la respuesta a su pregunta o no tiene acceso a Internet, llame al 844-299-0879 de 10:30 a 18:30 EST de lunes a viernes para hablar con un agente. Por favor, tenga el número de catálogo a mano cuando llame.

**GUARDE ESTE MANUAL PARA SU REFERENCIA EN EL FUTURO.**



# CONTENIDO

## INFORMACIÓN DE SEGURIDAD

Instrucciones importantes de seguridad .....	32-34
Requisitos eléctricos .....	33

## CONFIGURACIÓN Y USO

Partes y funcionalidades .....	35
Instrucciones de uso.....	36
Limpieza y mantenimiento.....	37

## SOLUCIÓN DE PROBLEMAS Y GARANTÍA

Resolución de problemas .....	38
Garantía limitada.....	39

# ESPECIFICACIONES

Voltaje: 120V, 60Hz

Consumo de energía: 1500W

Tamaño de la unidad (An x Prof x Al): 7.87" x 8.07" x 12.01"  
(20 cm x 20,5 cm x 30,51 cm)

# REGISTRO DEL PRODUCTO

¡Gracias por comprar nuestro producto BLACK+DECKER! Este manual fácil de usar le guiará para darle el mejor uso a su calentador.

Recuerde anotar el número de modelo y el número de serie. Están en una etiqueta en la parte trasera.

\_\_\_\_\_

Nº de modelo

\_\_\_\_\_

Nº de serie

\_\_\_\_\_

Fecha de compra

Grape o adjunte su recibo a su manual. Lo necesitará para acceder el servicio de garantía.

# INFORMACIÓN DE SEGURIDAD

## PELIGRO

**PELIGRO** - Amenazas inmediatas que resultarán en lesiones personales graves o la muerte

## ADVERTENCIA

**ADVERTENCIA** - Peligros o prácticas inseguras que pueden resultar en lesiones personales graves o la muerte

## PRECAUCIÓN

**PRECAUCIÓN** - Peligros o prácticas inseguras que PODRÍAN resultar en lesiones personales menores

# INSTRUCCIONES IMPORTANTES DE SEGURIDAD

## ADVERTENCIA

Quando se usen aparatos eléctricos, se deben tomar precauciones básicas de seguridad que deben ser seguidas como se detalla a continuación

Quando utilice electrodomésticos, siga siempre las medidas básicas de seguridad, para reducir el riesgo de incendio, descarga eléctrica y lesiones personales; incluyendo las siguientes:

1. Lea todas las instrucciones antes de utilizar este calentador.
2. Este calentador se calienta cuando está en uso. Para evitar quemaduras, no permita que la piel al descubierto toque las superficies calientes. Si el calentador incluye manillas, úselas para moverlo. Mantenga los materiales combustibles, como muebles, almohadas, ropa de cama, papeles, ropa y cortinas al menos a 3 pies (0,9 m) del frente del calentador y manténgalos alejados de los lados y la parte trasera.
3. Es necesario extremar las precauciones cuando se utiliza cualquier calentador por o cerca de niños o personas con discapacidades y siempre que el calefactor se deje en funcionamiento y desatendido.
4. Desconecte siempre el calentador cuando no esté en uso.
5. No opere ningún calentador con un cable o enchufe dañado, o después de que haya funcionado incorrectamente, se haya caído o dañado de alguna manera. Deseche el calentador o devuélvalo a un centro de servicio autorizado para que sea examinado, reciba ajustes eléctricos o mecánicos, o sea reparado.
6. No utilice el calentador en exteriores.
7. Este calentador no fue diseñado para su uso en baños, áreas de lavandería y recintos cerrados similares. Nunca coloque el calentador donde pueda caer en la bañera u otro recipiente de agua.
8. No pase el cable eléctrico por debajo de una alfombra. No cubra el cable con tapetes, camineros, alfombras o coberturas similares. No pase el cable bajo muebles o aparatos. Coloque el cable lejos del área de tránsito y donde no se pueda tropezar con él.
9. Pour déconnecter le chauffage, tournez d'abord les commandes sur arrêt, puis retirez la fiche de la prise.
10. No inserte ni permita que entren objetos extraños en ninguna ranura de ventilación o abertura ya que esto puede causar una descarga eléctrica o un incendio, o dañar el calentador.



# INFORMACIÓN DE SEGURIDAD

11. Para evitar un posible incendio, no bloquee las entradas o salidas de aire de ninguna manera. No lo use sobre superficies blandas, como una cama, donde las aberturas puedan bloquearse.
12. Un calentador tiene piezas calientes, que forman un arco eléctrico o que producen chispas en su interior. No lo use en áreas donde se use o almacene gasolina, pintura o líquidos inflamables.
13. Utilice el calentador sólo como se describe en este manual. Cualquier otro uso no recomendado por el fabricante puede provocar incendios, descargas eléctricas o lesiones a las personas.
14. **Siempre conecte los calentadores a una toma de corriente de pared. Nunca use un cable de extensión o toma de corriente portátil (alargue/zapatilla eléctrica).**
15. Este calentador consume 12,5 amperios durante su funcionamiento. Para evitar sobrecargar un circuito, conéctelo a una toma de corriente dedicada.
16. El calor emitido por este calentador puede variar y su temperatura puede volverse lo suficientemente alta como para quemar la piel al desnudo. No se recomienda el uso de este calentador para personas con sensibilidad reducida al calor o incapacidad de reaccionar para evitar quemaduras.
17. No deje el calentador desatendido.

## CONSERVE ESTAS INSTRUCCIONES SOLO PARA USO DOMÉSTICO

### REQUISITOS ELÉCTRICOS

Este aparato cuenta con un enchufe polarizado (una clavija es más ancha que la otra). Para evitar cualquier riesgo de descarga eléctrica, este enchufe está diseñado para encajar en una toma de corriente polarizada de una sola manera. Si no puede introducir el enchufe, inviértalo. Si aún así éste no encaja, comuníquese con un electricista calificado.



**ADVERTENCIA:** No intente modificar el enchufe de forma alguna.

**NOTA:** Ni BLACK+DECKER ni el distribuidor pueden aceptar ninguna responsabilidad por daños al producto o daños personales que resulten de no respetar los procedimientos de conexión eléctrica.



**ADVERTENCIA:** Para reducir el riesgo de descarga eléctrica, no use un cable de extensión o alargue.



#### **ADVERTENCIA - RIESGO DE INCENDIO**

Es importante que el enchufe se ajuste firmemente a la toma de corriente. Si el enchufe no se ajusta de manera segura y parece estar flojo, no debe usarse.

Haga que un electricista con licencia reemplace el receptáculo.

## INFORMACIÓN DE SEGURIDAD

### DISPOSITIVO DE SEGURIDAD CONTRA SOBRECALENTAMIENTO

Este calentador está equipado con una función de seguridad contra el sobrecalentamiento. Cuando los componentes internos del calentador alcanzan cierta temperatura que puede causar sobrecalentamiento, la unidad se apagará automáticamente. El calentador se puede reiniciar desenchufándolo de la toma de corriente. Después de que se haya enfriado (aproximadamente 30 minutos), vuelva a enchufar la unidad y vuelva a encenderla.

#### **ADVERTENCIA**

Es normal que el cable de alimentación se sienta caliente al tacto; sin embargo, un enchufe que quede flojo en la toma de corriente puede causar sobrecalentamiento del enchufe. Si esto ocurriese, intente insertar el enchufe en una toma de corriente diferente.

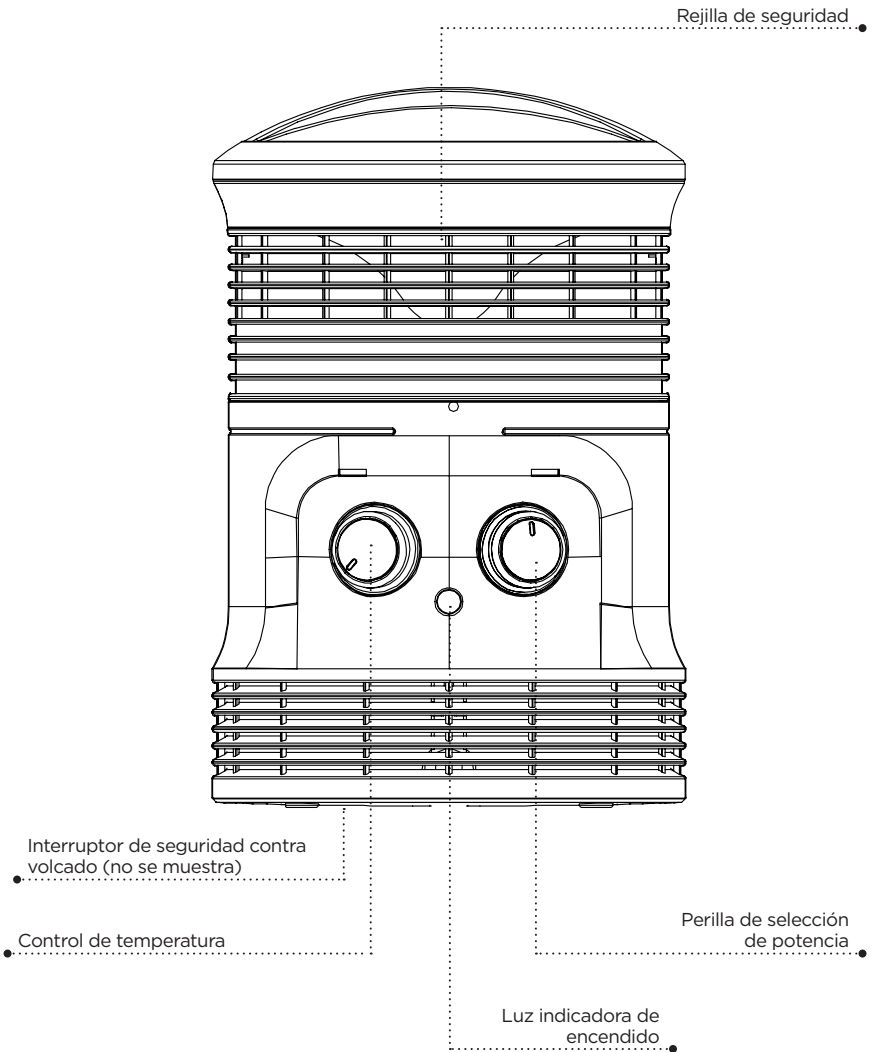
Contacte con un electricista calificado para inspeccionar la toma de corriente original y evaluar si hay daño.

### DISPOSITIVO DE SEGURIDAD CONTRA VOLCADO

Este calentador está equipado con un dispositivo de seguridad contra volcado. Si el calentador se vuelca un interruptor interno lo apagará automáticamente. Una vez que el calentador regrese a la posición vertical, este se reiniciará. Para continuar la operación, encienda el calentador nuevamente.

# CONFIGURACIÓN Y USO

## PARTES Y FUNCIONALIDADES



# CONFIGURACIÓN Y USO

## INSTRUCCIONES DE USO

Ubique el calentador sobre una superficie firme y nivelada y conéctelo directamente a una toma de corriente de 120 V de corriente alterna.

**NOTA:** Use el calentador solamente en posición vertical.

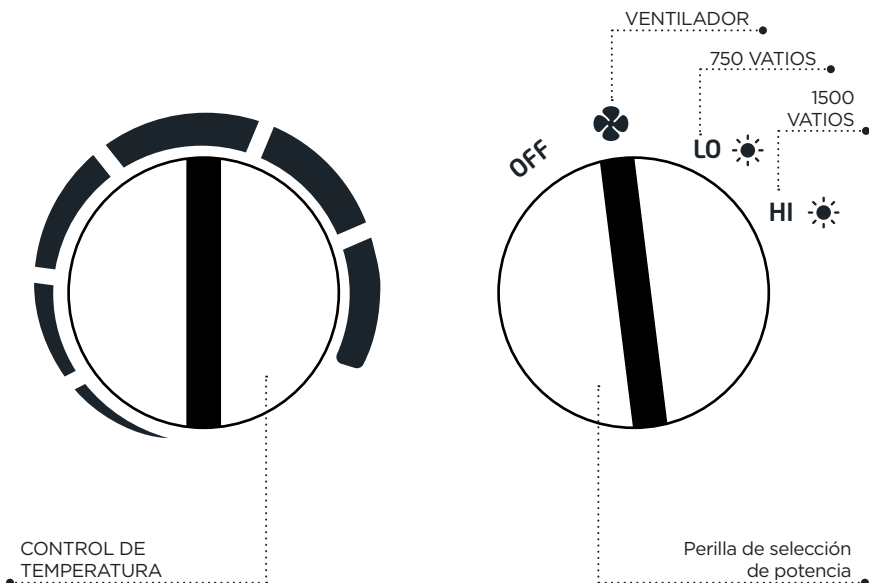
1. Gire la perilla del termostato en el sentido de las agujas del reloj hasta la posición máxima.
2. Gire la perilla de control de calor en el sentido de las agujas del reloj (derecha) desde la posición de **OFF** a la posición de **FAN ONLY** (solo ventilador 🌀), **LO** (calor bajo, 🔆) (750 vatios) o **HI** (calor alto, 🔆) (1500 vatios).

La luz indicadora de encendido se ilumina cuando se selecciona el ajuste FAN, LOW o HIGH.

Cuando se alcance el nivel de temperatura / confort deseado, baje la perilla del termostato hasta que el calentador deje de funcionar. El termostato mantendrá automáticamente el nivel de temperatura deseado encendiendo y apagando el calentador.

**NOTA:** Si gira la perilla de control de TEMPERATURA en el sentido de las agujas del reloj, aumentará la configuración de temperatura.

Gire la perilla de control de calor a la posición "OFF" para apagar la unidad.



# CUIDADO Y LIMPIEZA

## MANTENIMIENTO

 **ADVERTENCIA:** Apague el calentador antes de limpiarlo.

1. Desenchufe la unidad y deje que se enfríe por completo.
2. NO use alcohol, gasolina, polvos abrasivos, cera para muebles o cepillos ásperos para limpiar el calentador. Esto podría causar daños o deterioro a la superficie del calentador.
3. NO sumerja el calentador en agua.
4. Espere hasta que el aparato esté completamente seco antes de usarlo.
5. Para mantener limpio el calentador, puede limpiar la carcasa exterior con un paño suave y húmedo. Puede usar un detergente suave de ser necesario. Después de la limpieza, seque la unidad con un paño suave.

 **PRECAUCIÓN:** NO permita que entre líquido al calentador.

## ALMACENAMIENTO

Guarde el calentador en un lugar fresco y seco cuando no esté en uso. Para evitar la acumulación de polvo y la suciedad utilice el embalaje original para volver a embalar la unidad.

# SOLUCIÓN DE PROBLEMAS Y GARANTÍA

## ANTES DE LLAMAR AL SERVICIO TÉCNICO

SI SU CALENTADOR NO FUNCIONA:

- A) Verifique para asegurarse de que el electrodoméstico esté enchufado de forma segura. Si no lo está, quite el enchufe de la toma de corriente, espere 10 segundos y conéctelo nuevamente de forma segura.
- B) Compruebe si hay un fusible quemado o un disyuntor principal disparado. Si éstos parecen estar operando como es debido, pruebe el enchufe con otro aparato.
- C) Compruebe si llega electricidad al interruptor de alimentación principal de la unidad.
- D) Asegúrese de que el calentador esté en posición vertical.

**NOTA:** Para que el calentador funcione correctamente, la temperatura deseada debe establecerse a una temperatura más alta que la temperatura en la habitación. Si parece que no está calentando debidamente, aumente la temperatura deseada en el calentador para activar los elementos de calefacción.

SI NINGUNO DE LOS PASOS ANTERIORES RESUELVE EL PROBLEMA, CONTACTE A UN TÉCNICO CALIFICADO.

**⚠ ADVERTENCIA:** NO INTENTE AJUSTAR O REPARAR EL CALENTADOR/ VENTILADOR USTED MISMO.

## SERVICIO AL CLIENTE

# IMPORTANTE

## NO DEVUELVA ESTE PRODUCTO A LA TIENDA

Si tiene problemas con este producto, por favor, contacte al Centro de Satisfacción del Cliente de W Appliance Co. al 844-299-0879 o a [service@appliance.com](mailto:service@appliance.com)

UN COMPROBANTE DE COMPRA CON FECHA, No. DE MODELO Y No. DE SERIE ES REQUERIDO PARA EL SERVICIO DE GARANTÍA

# SOLUCIÓN DE PROBLEMAS Y GARANTÍA

## GARANTÍA LIMITADA

Cualquier reparación, recambio, o servicio de garantía, y todas las preguntas sobre este producto deben ser dirigidas BLACK+DECKER al **844-299-0879** desde EE.UU. o Puerto Rico.

BLACK+DECKER garantiza al comprador original que el producto estará libre de defectos de materiales, partes y mano de obra por el período designado para este producto. La garantía comienza el día en que se compra el producto y cubre hasta un período de **1 año (12 meses) por mano de obra / 1 año (12 meses) por piezas (solo defectos de fabricación)**.

BLACK+DECKER acepta que, de acuerdo con su criterio, reemplazará el producto defectuoso por uno nuevo o uno remanufacturado equivalente a su compra original durante el período de garantía.

**Exclusiones:** Esta garantía no se aplica a lo siguiente:

1. Si la apariencia o el exterior de el producto ha sido dañado o cambiado, alterado o modificado en diseño o construcción.
2. Si el número de serie original del producto ha sido alterado o eliminado o no puede ser fácilmente determinado.
3. Si está dañado debido a una sobrecarga de la línea eléctrica, daño al cable de alimentación de CA por parte del usuario o conexión a una fuente de voltaje incorrecta.
4. Si el daño se debe a un mal uso general, accidentes o actos de Dios.
5. Si los intentos de reparación son realizados por agentes de servicio no autorizados, el uso de piezas que no sean piezas originales o piezas obtenidas de personas que no sean empresas de servicios autorizadas.
6. En unidades que han sido transferidas del propietario original.
7. En productos que han sido comprados como reacondicionados, como nuevos, de segunda mano, en términos de "tal como es" o "venta final".
8. A los productos utilizados en un entorno comercial o de alquiler.
9. A productos utilizados en condiciones distintas a las ordinarias de uso doméstico normal o usado de otra manera que no sea de acuerdo con las instrucciones provistas.
10. A los daños por las llamadas al servicio por instalaciones inadecuadas.
11. A costos de transporte y envío asociados con el reemplazo de la unidad.
12. A llamadas de servicio para instruirlo sobre cómo usar su producto.
13. Llamadas de servicio para reparar o reemplazar el fusible de la casa, reiniciar el disyuntor o corregir el cableado de la casa.

LA REPARACIÓN O EL REMPLAZO COMO SE ESTABLECE EN ESTA GARANTÍA SON LA SOLUCIÓN EXCLUSIVA DEL CLIENTE; BLACK+DECKER NO SERÁ RESPONSABLE POR NINGÚN DAÑO INCIDENTAL O EN CONSECUENCIA POR INCUMPLIMIENTO DE CUALQUIER GARANTÍA EXPRESA O IMPLÍCITA DE ESTE PRODUCTO, EXCEPTO EN LA MEDIDA EN QUE LO PROHIBA LA LEY APLICABLE. CUALQUIER GARANTÍA IMPLÍCITA DE COMERCIABILIDAD O IDONEIDAD PARA UN PROPÓSITO PARTICULAR SOBRE ESTE PRODUCTO TIENE UNA DURACIÓN LIMITADA A LA DURACIÓN DE ESTA GARANTÍA.

Algunos estados no permiten la exclusión o limitaciones de daños incidentales o consecuentes, o limitaciones en la duración de la garantía. En estos casos, las exclusiones o limitaciones anteriores pueden no aplicarse en su caso. Esta garantía le otorga derechos legales específicos, y también puede tener otros derechos que varían de estado a estado.

**Obtención de servicio:** Para obtener servicio, documentación del producto, suministros o accesorios, llame al **844-299-0879** para crear un ticket de cambio/reparación. Asegúrese de proporcionar la fecha de compra, el número de modelo y una breve descripción del problema. Nuestros representantes de servicio al cliente se comunicarán con usted o enviarán instrucciones detalladas de devolución.

BLACK+DECKER no garantiza que el aparato funcionará adecuadamente en todas las condiciones ambientales, y no otorga garantía alguna ni defensa, ya sea implícita o expresada, con respecto a la calidad, desempeño, comerciabilidad, o aptitud para un propósito particular más allá del propósito identificado en este manual de usuario. BLACK+DECKER ha realizado todos los esfuerzos para asegurarse de que este manual es preciso y renuncia a la responsabilidad sobre cualquier imprecisión u omisión que pueda haber ocurrido. La información en este manual de usuario está sujeta a cambiar sin aviso previo y no representa un compromiso por parte de BLACK+DECKER. BLACK+DECKER se reserva el derecho de hacer mejoras a este manual de usuario y/o al producto descrito en este manual de usuario en cualquier momento sin aviso previo. Si encuentra información en este manual que es incorrecta, engañosa o incompleta, comuníquese con nosotros al **844-299-0879**.

W Appliance Co.  
1356 Broadway  
New York, NY 10018

BLACK & DECKER, BLACK+DECKER, y los logos y nombres de productos de BLACK & DECKER y el esquema de color naranja y negro son marcas registradas de The Black & Decker Corporation, usados bajo licencia. Todos los derechos reservados.

El producto en esta caja puede diferir levemente de la imagen. No afecta su función. No todos los accesorios que se muestran en la fotografía están incluidos en este paquete.

Importado por W Appliance, Inc., 1356 Broadway, Nueva York, NY 10018