

USER MANUAL

# **gemini**<sup>®</sup>

## GPLT Series



GEMINI GPLT-360

## CONTENTS

Product Introduction .....	3
Caution .....	3
Panel .....	4
Remote Control .....	5
Bluetooth Pair and Connect .....	6
TWS (True Wireless Stereo) mode .....	6
FM Radio Operation .....	6
Battery .....	7
Line In .....	7
Power On .....	7
Specifications .....	8
Warranty information .....	8
Legality and Safety .....	9
Spanish Manual .....	10
German Manual .....	15
French Manual .....	20
Italian Manual .....	25
Dutch Manual .....	30

## Introduction

Thank you for purchasing our GEMINI GPLT-360 Complete High Power Speaker System. With proper care & maintenance, your unit will provide years of reliable, uninterrupted service. The GEMINI GPLT-360 is backed by a 1-year limited warranty\*.

### Preparing For First Use

Please ensure that you find these accessories included with your GPLT Series speaker:

- (1) *Speaker*
- (1) *Adapter*
- (1) *Operating Instructions*
- (1) *FM Antenna*
- (1) *Remote control*
- (1) *Wired Microphone*

## Caution

- All operating instructions should be read before using this equipment.
- To reduce the risk of electrical shock, do not open the unit. There are no user replaceable parts inside.
- Please refer servicing to a qualified GEMINI service technician. Do not attempt to return this equipment to your dealer.
- Do not expose this unit to direct sunlight or to a heat source such as a radiator or stove.
- This unit should be cleaned only with a damp cloth. Avoid solvents or other cleaning detergents.
- When moving this equipment, it should be placed in its original carton and packaging. This will reduce the risk of damage during transit.
- Do not expose this unit to water or heat.
- Do not use cleaning products or lubricants on the controls or switches.

### Precautions

#### Please read carefully before proceeding

Always follow the basic precautions listed below to avoid the possibility of serious injury or even death from electrical shock, short-circuiting, damages, fire, or other hazards.

- *Read Instructions:* All the safety and operating instructions should be read before the product is operated.
- *Retain Instructions:* The safety and operating instructions should be retained for future reference. All the safety and operating instructions should be read before the product is operated.
- *Heed Warnings:* All warnings on the product and in the operating instructions should be adhered to.
- *Follow Instructions:* All operating and use instructions should be followed.
- *Cleaning:* The product should be cleaned only with a polishing cloth or a soft dry cloth. Never clean with furniture wax, benzene, insecticides or other volatile liquids since they may corrode the cabinet.
- *Water And Moisture:* Do not use this product near water, for example, near a bathtub, wash bowl, kitchen sink, or Laundry tub; in a wet basement; or near a swimming pool; and the like.
- *Do Not Open:* Do not open the device or attempt to disassemble the internal parts or modify them in any way. The device contains no user-serviceable parts. If it should appear to be malfunctioning, discontinue use immediately and have it inspected by qualified GEMINI service personnel.
- *Replacement Parts:* When replacement parts are required, be sure the service technician has used replacement parts specified by the manufacturer or have the same characteristics as the original part. Unauthorized substitutions may result in fire, electric shock, or other hazards.
- *Location:* Before moving the device, remove all connected cables.
  - Do not use the speaker's handles for suspended installation. Doing so can result in damage or injury.
  - Do not expose the device to excessive dust or vibrations, or extreme cold or heat (such as in direct sunlight, near a heater) to prevent the possibility of panel discoloration or damage to the internal components.
  - Do not place the device in an unstable position where it may accidentally fall over.
- *Connections:* Before connecting the device to other devices, turn off the power for all devices. Before turning the power on or off for all devices, set all volume levels to minimum.

## Panel

1.FM Antenna

2.DC INPUT

3.MIC IN: Wired Mic input socket

4.GUITAR IN: Guitar input socket

5.LINE-IN: Line-in input socket

6.CHARGING LIGHT

7.USB: USB input socket

Important: The USB port is intended only for data transfer only; other devices cannot be used with this USB connection. The use of USB extension cords is not recommended.

8.POWER SWITCH: Press this switch to turn the unit ON or OFF

9.360° LIGHT/STANDBY: Press this key to turn the 360° LIGHT ON/OFF. Long press for Standby, ON, and OFF.

10.SOURCE: Press this key to change the sources between USB, BT, FM, LINE.

11.X.DRIVE: Press the key to turn the extra bass effect ON/OFF.

12.EFFECTS: Press this key to change the menu between MIC, GUITAR, VOLUME, ECHO VOLUME, BASS, TREBLE.

13.VOLUME +/-: To adjust the levels.

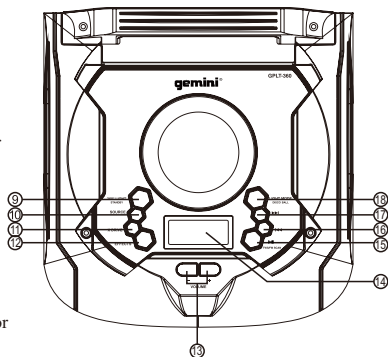
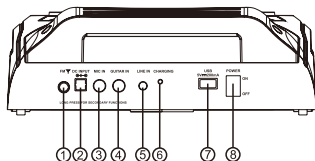
14.LED DISPLAY: To display speaker status.

15.▶||/TWS/FM SCAN: In FM mode: Long press for the fully automatic search.  
In USB/BT input mode: Press to PLAY/PAUSE a track.  
Long press to turn TWS (True Wireless Stereo) mode on or off.

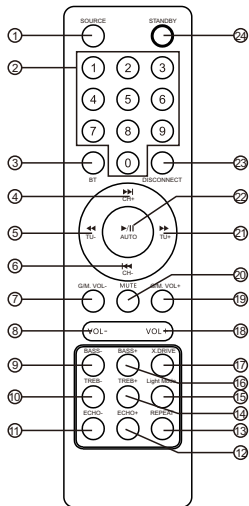
16.◀◀: To play the previous song at USB/BT input mode.

17.▶▶: To play the next song at USB/BT input mode.

18.LIGHT MODE/DISCO BALL: Long press to turn DISCO BALL on or off.  
Press to change the front speaker light mode between LED1,LED2,LED3,LED4,OFF



## Remote Control



### 1.SOURCE

Press to change the source between USB, BT, FM, LINE.

### 2.0~9 NUMERIC KEYS

These keys are used to play a track directly in USB source mode.

Eg: To play 12th track in the USB playlist press the numeric key "1" followed by "2".

In FM, to select saved channel, or input station frequency directly

### 3.BT

Press to enter Bluetooth pairing mode.

### 4. ►►/CH+

In USB/BT Mode: Press to play the next song  
In FM Mode: Press to skip to next saved channel

### 5. ◀◀/TU-

In USB/BT Mode: Press to rewind song  
In FM Mode: Press to adjust radio frequency lower

### 6. ◀◀/CH-

In USB/BT Mode: Press to play the previous song  
In FM Mode: Press to skip to previous saved channel

### 7.GUITAR/MIC VOL-

Decrease GUITAR and MIC volume.

### 8.VOL-

Decrease the volume.

### 9.BASS-

Reduce BASS frequency EQ

### 10.TREB-

Reduce TREBLE frequency EQ

### 11.ECHO-

Decrease the echo effect

### 12.ECHO+

Increase the echo effect

### 13.REPEAT (USB mode only)

Press to choose repeat mode (Random, Single, Repeat All)

### 14.TREB+

Increase TREBLE frequency EQ

### 15.Light mode

Change the light mode between LED1, LED2, LED3, LED4, OFF

### 16.BASS+

Increase BASS frequency EQ

### 17.X DRIVE

Press this key to turn ON/OFF Extra Bass Mode

### 18.VOL+

Increase the volume.

### 19.GUITAR/MICVOL+

Increase GUITAR and MIC volume

### 20.MUTE

Press to MUTE/UNMUTE the speaker playback

### 21. ►►/TU-

In USB/BT Mode: Press to fast forward song  
In FM Mode: Press to adjust radio frequency higher

### 22. ►►/AUTO

In USB/BT Mode: Play/Pause  
In FM Mode: Press for full automatic search of radio frequencies.

### 23.DISCONNECT (BT MODE)

Press to disconnect and pair with a new device.

### 24.STANDBY

Press to put speaker in Standby mode

### Bluetooth pair and connect

- Turn off any Bluetooth devices previously paired (linked) with this unit.
- Turn on the Bluetooth feature on your phone or music playing device.
- Press SOURCE button on GEMINI GPLT-360 to enter Bluetooth mode. LED "bt" on LED display indicates it is in pairing mode.
- Set your phone or music player to search for Bluetooth devices.
- Select "GEMINI GPLT-360" from search results on your phone or music player.
- Select OK or YES to pair this unit with your phone or music player.
- If protected, enter 0000 for passkey steady blue light indicates successful connection.
- Hold pair key to disconnect current connection and enter pairing mode.

### TWS (True Wireless Stereo) mode

1. Turn on 2 GEMINI GPLT-360 speakers and enter Bluetooth mode on both.
2. Press "TWS" key on each speaker for 2 seconds, it will show "TWS" on display, TWS is connecting to another speaker equipment and will connect successfully after a sound indication or display shows "bt"
3. Turn on your Bluetooth feature on your mobile phone to search Bluetooth devices and select "GEMINI GPLT-360" from the search result, select OK or YES to pair this unit with your mobile phones and a steady blue light will indicate the connection is successful and can play any music from your mobile phones.  
Press "TWS" key on speaker unit for 2 seconds and it will turn off TWS features and display "TWS" on display. (The first speaker will be the LEFT channel and the other speaker will be the RIGHT channel.)

### FM Radio Operation

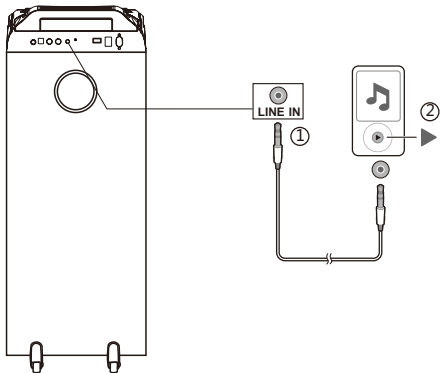
1. Before using the radio functions, you must attach the supplied antenna. Adjust the antenna to obtain optimum reception.
2. Press [SOURCE] to select FM mode.
3. Press the CH+/CH- key on the remote control or Hold the [SKIP] key to skip to the preset station.
4. Press the TU+/TU- key on the remote control or press the [SKIP] key on the top panel to adjust the radio frequency manually.  
(The number key on the remote control can directly select the frequency. Such as enter "88.1" keys for 88.1MHz, "104.0" keys for 104.0MHz.)  
Press the PLAY key on the remote control or Press the [SKIP] key on the top panel, the machine will scan radio channels from low-frequency to high-frequency by itself and memorize the channels one by one.

## BATTERY

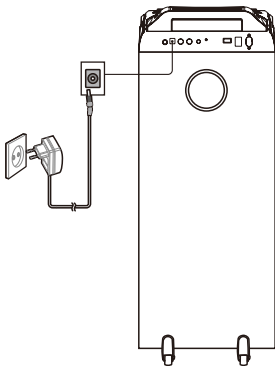
In AC (power) mode the battery will automatically charge. A slow red flashing light indicates that the battery is charging. When fully charged a green light will be displayed.

In DC (battery) mode a green light indicates that the battery level is full. If the battery level is low a red light will be displayed. This indicates that the battery must immediately be charged, or the speaker will turn off.

## LINE IN



## Power On



## SPECIFICATIONS

Frequency Response-----	25Hz-20KHz
Power Source-----	100-240V~,60/50Hz
Power Consumption-----	180W
Output power-----	120W RMS
Bluetooth-----	V5.0
FM radio-----	87.5-108 MHz
Unit Size (W x D x H) -----	30.5x30x78.5cm
Tweeter size -----	1 x 1 inch, 3 x 2 inch
Woofer size-----	1 x 8 inch
Subwoofer size -----	1 x 8 inch
Unit weight-----	11kg
Working Temperature-----	0-40° C

- The specification presents only as a reference. The value of weight and size are approximation.
- Our products are constantly improved and the specification and function may be changed without prior notice.

### Warranty and Repair

All Gemini products are designed and manufactured to the highest standards in the industry. With proper care and maintenance, your product will provide years of reliable service.

### Limited Warranty

a. GEMINI guarantees its products to be free from defects in materials and workmanship for one (1) year from the original purchase date.

b. This limited warranty does not cover damage or failure caused by abuse, misuse, abnormal use, faulty installation, improper maintenance or any repairs other than those provided by an authorized Gemini Service Center

c. There are no obligations of liability on the part of GEMINI for consequential damages arising out of or in connection with the use or performance of the product or other indirect damages with respect to loss of property, revenues, of profit, or costs of removal, installation, or reinstallation. All implied warranties for GEMINI, including implied warranties for fitness, are limited in duration to one (1) year from the original date of purchase, unless otherwise mandated by local statutes.

### Return/Repair

a. Please call our helpful Customer Service Representatives at 732-346-0061, and they will be happy to give you a Return Authorization Number (RMA) and the address of an authorized service center closest to you.

b. After receiving an RMA, include a copy of the original sales receipt, with defective product and a description of the defect. Send by insured freight to: Gemini and use the address provided by your customer service representative. Your RMA must be written on the outside of the package, or processing will be delayed indefinitely!

c. Service covered under warranty will be paid for by Gemini and returned to you. For non-warrantied products, Gemini will repair your unit after payment is received. Repair charges do not include return freight. Freight charges will be added to the repair charges.

d. On warranty service, you pay for shipping to Gemini, we pay for return shipping within the continental United States. Alaska, Hawaii, Puerto Rico, Canada, Bahamas, and the Virgin Islands will be charged for freight.

e. Please allow 2-3 weeks for return of your product. Under normal circumstances your product will spend no more than 10 working days at Gemini. We are not responsible for shipping times.



## LEGALITY & SAFETY

The device is not intended for use by people (including children) with reduced physical, sensory or mental capacity. People who have not read the manual, unless they have received an explanation by someone responsible for their safety, should not use this unit. Children should be monitored to ensure that they do not play with the device. The device should always be readily accessible. The device should not be exposed to water. No objects filled with liquids, such as vases, shall be placed on the device. Always leave a minimum distance of 10 cm around the unit to ensure sufficient ventilation. Open flame sources, such as candles, should not be placed on top of the device. The device is intended for use only in a temperate climate. At full volume, prolonged listening may damage your hearing and cause temporary or permanent deafness, hearing drone, tinnitus, or hyperacusis. Listening at high volume is not recommended. One hour per day is not recommended either. Switch the device off where the use of the device is not allowed or where there is a risk of causing interference or danger - for examples: on an aircraft, or near medical equipment, fuel, chemicals or blasting sites. Check the current laws and regulations regarding the use of this device in the areas where you drive. Do not handle the device when driving. Concentrate fully on driving. All wireless devices are susceptible to interference which may affect their performance. All our devices conform to international/national standards and regulations, and we aim to limit user exposure to electromagnetic fields. These standards and regulations were adopted after the completion of extensive scientific research. This research established no link between the use of the mobile headset and any adverse effects on health if the device is used in accordance with standard practices. Only qualified people are authorized to install or repair this product. Only use batteries, chargers and other accessories which are compatible with this equipment. Do not connect incompatible products. This equipment is not waterproof. Keep it dry. Keep your device in a safe place, out of the reach of young children. The device contains small parts which may present a choking hazard to kids.

## Introducción

Gracias por comprar nuestro sistema completo de altavoces de alta potencia GEMINI GPLT-360. Con el cuidado y mantenimiento adecuados, su unidad proporcionará años de servicio confiable e ininterrumpido.

### Preparación para el primer uso

Asegúrese de encontrar estos accesorios incluidos con su altavoz de la serie GPLT:

- (1) *Altavoz*
- (1) *Adaptador*
- (1) *Instrucciones de funcionamiento*
- (1) *Antena FM*
- (1) *Control remoto*
- (1) *Micrófono con cable*

## Cautela

- Todas las instrucciones de funcionamiento deben leerse antes de usar este equipo.
- Para reducir el riesgo de descarga eléctrica, no abra la unidad. No hay piezas reemplazables por el usuario en el interior.
- Consulte el servicio a un técnico de servicio calificado de GEMINI. No intente devolver este equipo a su distribuidor.
- No exponga esta unidad a la luz solar directa o a una fuente de calor como un radiador o una estufa.
- Esta unidad debe limpiarse solo con un paño húmedo. Evite los disolventes u otros detergentes de limpieza.
- Al mover este equipo, debe colocarse en su caja y embalaje originales. Esto reducirá el riesgo de daños durante el tránsito.
- No exponga esta unidad al agua o al calor.
- No utilice productos de limpieza ni lubricantes en los mandos o interruptores.

### Precauciones

#### Lea atentamente antes de continuar

Siga siempre las precauciones básicas que se enumeran a continuación para evitar la posibilidad de lesiones graves o incluso la muerte por descarga eléctrica, cortocircuito, daños, incendio u otros peligros.

- *Leer instrucciones:* Todas las instrucciones de seguridad y funcionamiento deben leerse antes de que se opere el producto.
- *Instrucciones de retención:* Las instrucciones de seguridad y funcionamiento deben conservarse para futuras consultas. Todas las instrucciones de seguridad y funcionamiento deben leerse antes de que se opere el producto.
- *Atención a las advertencias:* Se deben cumplir todas las advertencias en el producto y en las instrucciones de funcionamiento.
- *Siga las instrucciones:* Se deben seguir todas las instrucciones de funcionamiento y uso.
- *Limpieza:* El producto debe limpiarse solo con un paño pulidor o un paño suave y seco. Nunca limpie con cera para muebles, benceno, insecticidas u otros líquidos volátiles, ya que pueden corroer el gabinete.
- *Agua y humedad:* No use este producto cerca del agua, por ejemplo, cerca de una bañera, tazón de lavado, fregadero de cocina o bañera de lavandería; en un sótano húmedo; o cerca de una piscina; y similares.
- *No abrir:* No abra el dispositivo ni intente desmontar las partes internas ni modificarlas de ninguna manera. El dispositivo no contiene piezas reparables por el usuario. Si parece que funciona mal, suspenda el uso inmediatamente y haga que el personal de servicio calificado de GEMINI lo inspeccione.
- *Piezas de repuesto:* Cuando se requieran piezas de repuesto, asegúrese de que el técnico de servicio haya utilizado piezas de repuesto especificadas por el fabricante o que tengan las mismas características que la pieza original. Las sustituciones no autorizadas pueden provocar incendios, descargas eléctricas u otros peligros.
- *Ubicación:* Antes de mover el dispositivo, retire todos los cables conectados.
  - No utilice las asas del altavoz para la instalación suspendida. Hacerlo puede resultar en daños o lesiones.
  - No exponga el dispositivo a polvo o vibraciones excesivas, ni a frío o calor extremos (como en la luz solar directa, cerca de un calentador) para evitar la posibilidad de desfiguración del panel o daños en los componentes internos.
  - No coloque el dispositivo en una posición inestable en la que pueda caerse accidentalmente.
- *Conexiones:* Antes de conectar el dispositivo a otros dispositivos, apague la alimentación de todos los dispositivos. Antes de encender o apagar todos los dispositivos, establezca todos los niveles de volumen al mínimo.

## Tablero

1. Antena FM

2. ENTRADA DE DC

3. MIC-IN: Toma de entrada de micrófono con cable

4. GUITARRA-IN: Toma de entrada de guitarra

5. LINE-IN: Toma de entrada de línea

6. LUZ DE CARGA

7. USB: Toma de entrada USB Importante: El puerto USB está diseñado solo para la transferencia de datos, no se pueden usar otros dispositivos con esta conexión USB. No se recomienda el uso de cables de extensión USB.

8. INTERRUPTOR DE ENCENDIDO: Presione este interruptor para encender o apagar la unidad

9. 360° LIGHT/STANDBY : Presione esta tecla para encender/apagar la LUZ de 360°. Presionada larga para modo de espera, ENCENDIDO y APAGADO.

10. FUENTE: Presione esta tecla para cambiar las fuentes entre USB, BT, FM, LINE.

11. X DRIVE: Presione la tecla para activar / desactivar el efecto de graves adicionales.

12. EFFECTS: Presione esta tecla para cambiar el menú entre MICRÓFONO, GUITARRA, VOLUMEN, VOLUMEN DE ECO , BAJO, AGUDOS.

13. VOLUMEN +/-: Para ajustar los niveles.

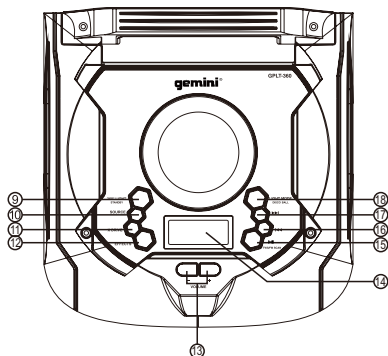
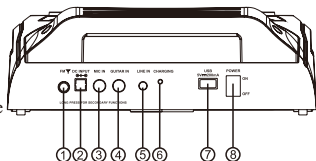
14. PANTALLA LED: Para mostrar el estado del altavoz.

15. ▶||/TWS/Escaño automático de FM: En modo FM: Presionada larga para la búsqueda totalmente automática. En el modo de entrada USB/BT: Pulse para REPRODUCIR/ PAUSAR una pista. Presionada larga para activar o desactivar el modo TWS (True Wireless Stereo).

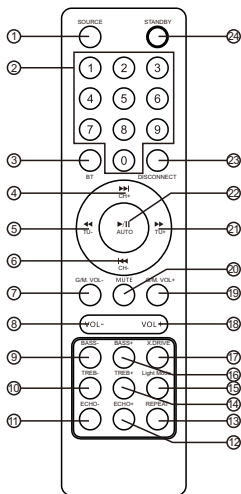
16. ◀◀: Para reproducir la canción anterior en modo de entrada USB/BT.

17. ▶▶: Para reproducir la siguiente canción en modo de entrada USB/BT.

18. LIGHT MODE / DISCO BALL : Presionada larga esta tecla para encender o apagar DISCO BALL. Presione para cambiar el modo de luz del altavoz frontal entre LED1, LED2, LED3, LED4, OFF



## Control remoto



## 1. SOURCE

Presiona para cambiar la fuente entre USB, BT, FM, LINE.

## 2.0 ~ 9 TECLAS NUMÉRICAS

Estas teclas se utilizan para reproducir una pista directamente en modo de fuente USB. Por ejemplo: Para reproducir la pista 12 en la lista de reproducción USB, presione la tecla numérica "1" seguida de "2". En FM, para seleccionar el canal guardado o la frecuencia de la estación de entrada directamente

3. BT Press para entrar en modo de emparejamiento Bluetooth.

## 4. [▶▶▶] / CH +

En modo USB / BT: Presione para reproducir la siguiente canción En modo FM: Presione para saltar al siguiente canal guardado

## 5. [◀◀◀] / TU -

En modo USB / BT: Presione para rebobinar la canción EN MODO FM: Presione para ajustar la frecuencia de radio más baja

## 6. [◀◀◀] / CH-In

USB/BT Mode: Presione para reproducir la canción anterior En modo FM: Presione para saltar al canal guardado anterior

7. GUITAR/MIC VOL- Disminuir el volumen de GUITAR y MIC.

8. VOL- Disminuir el volumen.

9. BASS- Reducir el ecualizador de frecuencia BASS

10. TREB- Reducir el ecualizador de frecuencia de agudos

11. ECHO- Decrease el efecto eco

12. ECHO+ Aumenta el efecto eco

13. REPETIR (solo modo USB) Presione para elegir el modo de repetición (Aleatorio, Único, Repetir todo)

14. TREB+ Ecualización de frecuencia treble

15. Light Mode Change el modo de luz entre LED1, LED2, LED3, LED4, OFF

16. BASS+ Aumentar el ecualizador de frecuencia BASS

17. X DRIVE Presione esta tecla para activar / desactivar el modo de graves adicionales

18. VOL+ Aumentar el volumen.

19. GUITAR/MICVOL+ Aumenta el volumen de GUITAR y MIC

20. MUDO Presiona para SILENCIAR/REACTIVAR la reproducción del altavoz

## 21. [▶▶▶] / TU +

En Modo USB/BT: Presione para avanzar rápidamente la canción En modo FM: Presione para ajustar la frecuencia de radio más alta

## 22. [▶▶▶] / AUTO

En modo USB / BT: Reproducir / Pausa en modo FM: Presione para la búsqueda automática completa de frecuencias de radio.

## 23. DESCONECTAR (MODO BT)

Pulse para desconectar y emparejar con un nuevo dispositivo.

## 24. STANDBY

Presiona para poner el altavoz en modo de espera

### **Emparejar y conectar Bluetooth**

- Apague todos los dispositivos Bluetooth previamente emparejados (vinculados) con esta unidad.
- Activa la función Bluetooth en tu teléfono o dispositivo de reproducción de música.
- Presione el botón SOURCE en GEMINI GPLT-360 para ingresar al modo Bluetooth. El LED "bt" en la pantalla LED indica que está en modo de emparejamiento.
- Configura tu teléfono o reproductor de música para buscar dispositivos Bluetooth.
- Seleccione "GEMINI GPLT-360" en los resultados de búsqueda en su teléfono o reproductor de música.
- Seleccione Aceptar o SÍ para emparejar esta unidad con su teléfono o reproductor de música.
- Si está protegido, ingrese 0000 para la luz azul constante de clave de paso que indica una conexión exitosa.
- Mantenga presionada la tecla de emparejamiento para desconectar el modo de emparejamiento de convección y comedor actual.

### **Modo TWS (True Wireless Stereo)**

1. Encienda 2 altavoces GEMINI GPLT-360 e ingrese al modo Bluetooth en ambos.
2. Presione la tecla "TWS" en cada altavoz durante 2 segundos, mostrará " ㄟ ㄟ " en la pantalla, TWS se está conectando a otro equipo de altavoces y se conectará con éxito después de que una indicación de sonido o pantalla muestre "bt"
3. Active la función Bluetooth en su teléfono móvil para buscar dispositivos Bluetooth y seleccione "GEMINI GPLT-360" en el resultado de búsqueda, seleccione OK o YES para emparejar esta unidad con sus teléfonos móviles y una luz azul constante indicará que la conexión es exitosa y puede reproducir cualquier música desde sus teléfonos móviles.
4. Presione la tecla "TWS" en la unidad del altavoz durante 2 segundos y apagará las funciones de TWS y la pantalla " ㄟ ㄟ " en la pantalla. (El primer altavoz será el canal IZQUIERDO y el otro altavoz será el canal DERECHO).

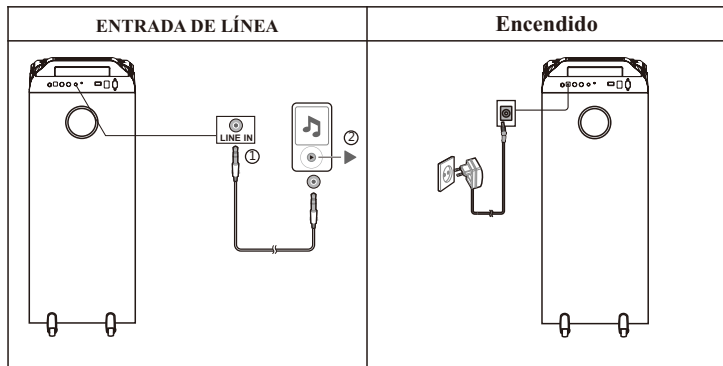
### **Operación de radio FM**

1. Antes de utilizar las funciones de radio, debe conectar la antena suministrada. Ajuste la antena para obtener una recepción óptima.
  2. Pulse [FUENTE] para seleccionar el modo FM.
  3. Pulse la tecla CH+/CH- del mando a distancia o mantenga pulsada la tecla [◀◀/▶▶] para saltar a la estación preestablecida.
  4. Pulse la tecla TU+/TU- del mando a distancia o pulse la tecla [◀◀/▶▶] del panel superior para ajustar manualmente la radiofrecuencia.  
(La tecla numérica en el control remoto puede seleccionar directamente la frecuencia. Como introducir claves "8,8,1" para 88,1 MHz, teclas "1,0,4,0" para 104,0 MHz.)
- Presione la tecla PLAY en el control remoto o presione la tecla [▶▶] en el panel superior, la máquina escaneará los canales de radio de baja frecuencia a alta frecuencia por sí misma y memorizará los canales uno por uno.

### **BATERÍA**

En el modo de AC (alimentación), la batería se cargará automáticamente. Una luz roja parpadeante lenta indica que la batería se está cargando. Cuando esté completamente cargado, se mostrará una luz verde.

En el modo DC (batería), una luz verde indica que el nivel de la batería está lleno. Si el nivel de la batería es bajo, se mostrará una luz roja. Esto indica que la batería debe cargarse inmediatamente o el altavoz se apagará.



## ESPECIFICACIONES

Respuesta de frecuencia	-----25Hz-20KHz
Fuente de alimentación	-----100-240V ~, 60 / 50Hz
Consumo de energía	-----180W
Potencia de salida	-----120W RMS
Bluetooth	-----V5.0
Radio FM	-----87.5-108 MHz
Tamaño de la unidad (W x D x H)	-----30.5x30x78.5cm
Tamaño del tweeter	-----1 x 1", 3 x 2"
Woofer tamaño	-----1 x 8"
Tamaño del subwoofer	-----1 x 8"
Peso de la unidad	-----11kg
Temperatura de trabajo	-----0-40° C

- La especificación se presenta solo como referencia. El valor del peso y el tamaño son aproximados.
- Nuestros productos se mejoran constantemente y la especificación y la función pueden cambiarse sin previo aviso.

## Einleitung

Vielen Dank, dass Sie sich für unser GEMINI GPLT-360 Complete High Power Speaker System entschieden haben. Bei richtiger Pflege und Wartung bietet Ihr Gerät jahrelangen zuverlässigen, ununterbrochenen Service.

### Vorbereitung auf den ersten Einsatz

Bitte stellen Sie sicher, dass Sie dieses Zubehör im Lieferumfang Ihres Lautsprechers der GPLT-Serie finden:

- (1) *Sprecher*
- (1) *Adapter*
- (1) *Bedienungsanleitung*
- (1) *UKW-Antenne*
- (1) *Fernbedienung*
- (1) *Kabelgebundenes Mikrofon*

## Vorsicht

- Alle Bedienungsanleitungen sollten vor der Verwendung dieses Geräts gelesen werden.
- Um das Risiko eines elektrischen Schlags zu verringern, öffnen Sie das Gerät nicht. Es befinden sich keine vom Benutzer austauschbaren Teile im Inneren.
- Bitte wenden Sie sich an einen qualifizierten GEMINI Servicetechniker. Versuchen Sie nicht, dieses Gerät an Ihren Händler zurückzugeben.
- Setzen Sie dieses Gerät nicht direktem Sonnenlicht oder einer Wärmequelle wie einem Heizkörper oder Ofen aus.
- Dieses Gerät sollte nur mit einem feuchten Tuch gereinigt werden. Vermeiden Sie Lösungsmittel oder andere Reinigungsmittel.
- Wenn Sie dieses Gerät bewegen, sollte es in den Originalkarton und die Originalverpackung gelegt werden. Dies reduziert das Risiko von Schäden während des Transports.
- Setzen Sie dieses Gerät weder Wasser noch Hitze aus.
- Verwenden Sie keine Reinigungsmittel oder Schmiermittel an den Bedienelementen oder Schaltern.

### Vorsichtsmaßnahmen

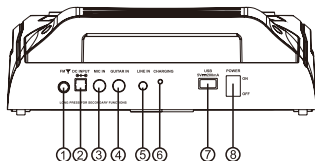
#### Bitte lesen Sie sorgfältig durch

Bevor Sie fortfahren Befolgen Sie immer die unten aufgeführten grundlegenden Vorsichtsmaßnahmen, um die Möglichkeit schwerer Verletzungen oder sogar des Todes durch Stromschlag, Kurzschluss, Schäden, Feuer oder andere Gefahren zu vermeiden.

- **Anweisungen lesen:** Alle Sicherheits- und Bedienungsanleitungen sollten gelesen werden, bevor das Produkt betrieben wird.
- **Anweisungen aufbewahren:** Die Sicherheits- und Betriebsanweisungen sollten zur späteren Bezugnahme aufbewahrt werden. Alle Sicherheits- und Bedienungsanleitungen sollten gelesen werden, bevor das Produkt in Betrieb genommen wird.
- **Beachtungswarnungen:** Alle Warnhinweise auf dem Produkt und in der Bedienungsanleitung sollten eingehalten werden.
- **Befolgen Sie die Anweisungen:** Alle Betriebs- und Gebrauchsanweisungen sollten befolgt werden.
- **Reinigung:** Das Produkt sollte nur mit einem Poliertuch oder einem weichen trockenen Tuch gereinigt werden. Reinigen Sie niemals mit Möbelwachs, Benzol, Insektiziden oder anderen flüchtigen Flüssigkeiten, da diese den Schrank korrodieren können.
- **Wasser und Feuchtigkeit:** Verwenden Sie dieses Produkt nicht in der Nähe von Wasser, z. B. in der Nähe einer Badewanne, einer Waschküchenschüssel, einer Küchenspüle oder einer Wäschewanne; in einem nassen Keller; oder in der Nähe eines Swimmingpools; und dergleichen.
- **Nicht öffnen:** Öffnen Sie das Gerät nicht und versuchen Sie nicht, die internen Teile zu zerlegen oder in irgendeiner Weise zu modifizieren. Das Gerät enthält keine vom Benutzer zu wartenden Teile. Sollte es den Anschein haben, dass es eine Fehlfunktion gibt, stellen Sie die Anwendung sofort ein und lassen Sie es von qualifiziertem GEMINI-Servicepersonal überprüfen.
- **Ersatzteile:** Wenn Ersatzteile benötigt werden, stellen Sie sicher, dass der Servicetechniker vom Hersteller angegebene Ersatzteile verwendet hat oder die gleichen Eigenschaften wie das Originalteil aufweist.
- **Standort:** Entfernen Sie vor dem Bewegen des Geräts alle angeschlossenen Kabel.
  - Verwenden Sie die Griffe des Lautsprechers nicht für eine hängende Installation. Dies kann zu Schäden oder Verletzungen führen.
  - Setzen Sie das Gerät nicht übermäßigem Staub oder Vibrationen oder extremer Kälte oder Hitze (z. B. bei direkter Sonneneinstrahlung in der Nähe einer Heizung) aus, um die Möglichkeit einer Entstellung der Paneele oder einer Beschädigung der internen Komponenten zu verhindern.
  - Stellen Sie das Gerät nicht in eine instabile Position, in der es versehentlich umfallen könnte.
- **Verbindungen:** Bevor Sie das Gerät an andere Geräte anschließen, schalten Sie das Gerät für alle Geräte aus. Bevor Sie das Ein- oder Ausschalten für alle Geräte vornehmen, stellen Sie alle Lautstärkeinstufen auf ein Minimum ein.

## Gremium

1. UKW-Antenne
2. DC-EINGANG
3. MIC-IN: Kabelgebundene Mic-Eingangsbuchse
4. GITARRE-IN: Gitarreneingangsbuchse
5. LINE-IN: Line-In-Eingangsbuchse
6. LADEANZEIGE



7. USB: USB-Eingangsbuchse Wichtig: Der USB-Anschluss ist nur für die Datenübertragung vorgesehen, andere Geräte können mit dieser USB-Verbindung nicht verwendet werden. Die Verwendung von USB-Verlängerungskabeln wird nicht empfohlen.

8. NETZSCHALTER: Drücken Sie diesen Schalter, um das Gerät ein- oder auszuschalten

9. 360° LIGHT /STANDBY: Drücken Sie diese Taste, um das 360°-LICHT EIN/AUS zu schalten. Lang gedrückt für STANDBY, ON und OFF.

10. QUELLE: Drücken Sie diese Taste, um die Quellen zwischen USB, BT, FM, LINE zu wechseln.

11. X DRIVE: Drücken Sie die Taste, um den zusätzlichen Basseffekt EIN / AUS zu schalten.

12. EFFECTS: Drücken Sie diese Taste, um das Menü zwischen MIC, GUITAR, VOLUME, ECHO VOLUME, BASS, TREBLE zu wechseln.

13. VOLUME +/-: Um die Pegel einzustellen.

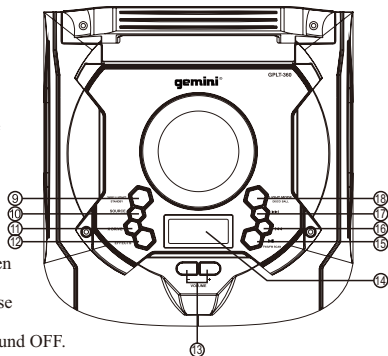
14. LED-ANZEIGE: Zur Anzeige des Lautsprecherstatus.

15. ►/TWS/FM Auto-Scan: Im FM-Modus: Lange drücken Sie für die vollautomatische Suche. Im USB/BT-Eingangsmodus: Drücken Sie die Taste, um einen Titel abzuspielen/anzuhalten. Lange drücken, um den TWS-Modus (True Wireless Stereo) ein- oder auszuschalten.

16. ◀◀ : So spielen Sie den vorherigen Song im USB/BT-Eingangsmodus ab.

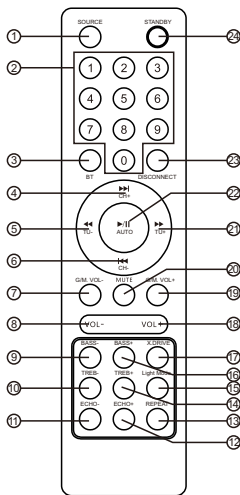
17. ▶▶ : So spielen Sie den nächsten Song im USB/BT-Eingangsmodus ab.

18. LIGHT MODE/DISCO BALL : Diese Taste lange gedrückt, um DISCO BALL ein- oder auszuschalten. Drücken Sie diese Taste, um den Beleuchtungsmodus für die Frontlautsprecher zu ändern LED1, LED2, LED3, LED4, OFF.





## Fernbedienung



## 1. SOURCE

Press, um die Quelle zwischen USB, BT, FM, LINE zu ändern.

## 2.0 ~ 9 NUMERISCHE TASTEN

Diese Tasten werden verwendet, um einen Track direkt im USB-Quellmodus abzuspielen. Beispiel: Um den 12. Titel in der USB-Wiedergabeliste abzuspielen, drücken Sie die numerische Taste "1" gefolgt von "2". In FM, um den gespeicherten Kanal oder die Eingangsstationsfrequenz direkt auszuwählen

## 3. BT

Press, um in den Bluetooth-Pairing-Modus zu wechseln.

## 4. ►► / CH+

Im USB/BT-Modus: Drücken, um den nächsten Song abzuspielen. Im FM-Modus: Drücken, um zum nächsten gespeicherten Kanal zu springen

## 5. ◀◀ / TU-

Im USB / BT-Modus: Drücken Sie, um den Song zurückzuspulen  
 IN FM-Modus: Drücken Sie, um die Radiofrequenz niedriger einzustellen

## 6. ◀◀ / CH-In

USB/BT-Modus: Drücken, um den vorherigen Song abzuspielen. Im FM-Modus: Drücken, um zum vorherigen gespeicherten Kanal zu springen

## 7. GUITAR/MIC VOL-

Verringern Sie die Lautstärke von GITARRE und MIKROFON.

## 8. VOL-

Verringern Sie die Lautstärke.

## 9. BASS-

Reduce BASS Frequenz EQ

## 10. TREB-

Reduce TREBLE Frequenz EQ

## 11. ECHO-

Decrease den Echo-Effekt

## 12. ECHO+

Inerhöhen des Echoeffekts

## 13. REPEAT (nur USB-Modus)

Drücken Sie diese Taste, um den Wiederholungsmodus zu wählen (Zufällig, Einzeln, Alle wiederholen)

## 14. TREB+

Increase TREBLE Frequenz EQ

## 15. Light Mode

Stellen Sie den Lichtmodus zwischen LED1, LED2, LED3, LED4, AUS

## 16. BASS+

Bassfrequenz EQ erhöhen

## 17. X DRIVE

Drücken Sie diese Taste, um den Extra Bass Mode ein-/ auszuschalten

## 18. VOL+

Erhöhen Sie die Lautstärke.

## 19. GUITAR/MICVOL+

Erhöhen Sie die Lautstärke von GITARRE und MIKROFON

## 20. STUMM

Drücken Sie diese Taste, um die Lautsprecherwiedergabe stummzuschalten/aufzuheben

## 21. ►► / TU- Im USB/BT-Modus:

Drücken Sie diese Taste, um das Lied im FM-Modus vorzuspulen: Drücken Sie die Taste, um die Radiofrequenz höher einzustellen. 22.

## 22. ►► / AUTO In USB / BT-Modus: Wiedergabe /

Pause im FM-Modus: Drücken Sie für die vollautomatische Suche nach Funkfrequenzen.

## 23. DISCONNECT (BT MODE) Drücken Sie die

Verbindung, um die Verbindung zu trennen und mit einem neuen Gerät zu koppeln.

## 24. STANDBY

Press, um den Lautsprecher in den Standby-Modus zu versetzen

### Bluetooth-Kopplung und -Verbindung

- Schalten Sie alle Bluetooth-Geräte aus, die zuvor mit diesem Gerät gekoppelt (verknüpft) waren.
- Aktivieren Sie die Bluetooth-Funktion auf Ihrem Telefon oder Musikwiedergabegerät.
- Drücken Sie die SOURCE-Taste am GEMINI GPLT-360, um in den Bluetooth-Modus zu wechseln. LED "bt" auf der LED-Anzeige zeigt an, dass es sich im Pairing-Modus befindet.
- Stellen Sie Ihr Telefon oder Ihren Musikplayer so ein, dass nach Bluetooth-Geräten gesucht wird.
- Wählen Sie "GEMINI GPLT-360" aus den Suchergebnissen auf Ihrem Telefon oder Musikplayer.
- Wählen Sie OK oder JA, um dieses Gerät mit Ihrem Telefon oder Musikplayer zu koppeln.
- Wenn geschützt, geben Sie 0000 ein, damit das stetige blaue Licht für den Hauptschlüssel eine erfolgreiche Verbindung anzeigt.
- Halten Sie die Pair-Taste gedrückt, um die Stromkonvektion und den Esser-Pairing-Modus zu trennen.

### TWS-Modus (True Wireless Stereo)

1. Schalten Sie 2 GEMINI GPLT-360-Lautsprecher ein und wechseln Sie bei beiden in den Bluetooth-Modus.
2. Drücken Sie die Taste "TWS" an jedem Lautsprecher für 2 Sekunden, es wird " ㄹ ㄱ " auf dem Display angezeigt, TWS verbindet sich mit einem anderen Lautsprechergerät und wird erfolgreich verbunden, nachdem eine Soundanzeige oder anzeige "bt" anzeigt
3. Schalten Sie Ihre Bluetooth-Funktion auf Ihrem Mobiltelefon ein, um Bluetooth-Geräte zu suchen, und wählen Sie "GEMINI GPLT-360" aus dem Suchergebnis, wählen Sie OK oder JA, um dieses Gerät mit Ihren Mobiltelefonen zu koppeln, und ein konstantes blaues Licht zeigt an, dass die Verbindung erfolgreich ist und Musik von Ihren Mobiltelefonen abgespielt werden kann. Drücken Sie die Taste "TWS" auf der Lautsprechereinheit für 2 Sekunden und es wird die TWS-Funktionen ausgeschaltet und " ㄹ ㄱ " auf dem Display angezeigt. (Die Der erste Lautsprecher ist der LINKE Kanal und der andere Lautsprecher ist der RECHTE Kanal.)

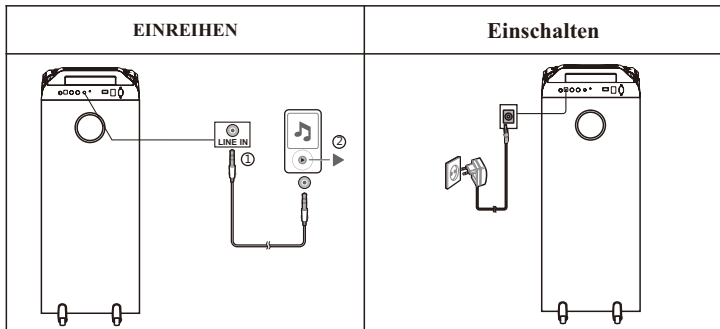
### UKW-Radiobetrieb

1. Bevor Sie die Funkfunktionen nutzen können, müssen Sie die mitgelieferte Antenne anschließen. Stellen Sie die Antenne ein, um einen optimalen Empfang zu erhalten.
2. Drücken Sie [SOURCE], um den FM-Modus auszuwählen.
3. Drücken Sie die CH+/CH-Taste auf der Fernbedienung oder halten Sie die [◀◀/▶▶]-Taste gedrückt, um zur voreingestellten Station zu springen.
4. Drücken Sie die TU+/TU-Taste auf der Fernbedienung oder drücken Sie die Taste [◀◀▶▶] auf der Oberseite, um die Hochfrequenz manuell einzustellen.  
(Die Zahlentaste auf der Fernbedienung kann die Frequenz direkt auswählen. Geben Sie z. B. "8,8,1"-Tasten für 88,1 MHz und "1,0,4,0"-Tasten für 104,0 MHz ein.)
5. Drücken Sie die PLAY-Taste auf der Fernbedienung oder drücken Sie die [▶▶] -Taste auf der Oberseite, das Gerät scannt Funkkanäle von niederfrequent bis hochfrequent und merkt sich die Kanäle nacheinander.

### BATTERIE

Im AC-Modus (Power) lädt sich der Akku automatisch auf. Ein langsames rotes Blinklicht zeigt an, dass der Akku aufgeladen wird. Wenn es vollständig aufgeladen ist, wird ein grünes Licht angezeigt.

Im DC-Modus (Batterie) zeigt ein grünes Licht an, dass der Batteriestand voll ist. Wenn der Akkustand niedrig ist, wird ein rotes Licht angezeigt. Dies weist darauf hin, dass der Akku sofort aufgeladen werden muss, da sich der Lautsprecher sonst ausschaltet.



## TECHNISCHE DATEN

Frequenzgang	-----25Hz-20KHz
Stromquelle	-----100-240V ~ 60 / 50Hz
Stromverbrauch	-----180W
Ausgangsleistung	-----120W RMS
Bluetooth	-----V5.0
UKW-Radio	-----87,5-108 MHz
Einheitsgröße (B x T x H)	-----30,5x30x78,5 cm
Hochtönergröße	-----1 x 1", 3 x 2"
Tieftöner Größe	-----1 x 8"
Subwoofer Größe	-----1 x 8"
Einheitsgewicht	-----11kg
Arbeitstemperatur	-----0-40° C

- Die Spezifikation wird nur als Referenz dargestellt. Der Wert von Gewicht und Größe ist näherungsweise.
- Unsere Produkte werden ständig verbessert und die Spezifikation und Funktion können ohne vorherige Ankündigung geändert werden.

## Introduction

Merci d'avoir acheté notre système complet de haut-parleurs haute puissance GEMINI GPLT-360 . Avec des soins et un entretien appropriés, votre unité fournira des années de service fiable et ininterrompu.

### Préparation à la première utilisation

Assurez-vous de trouver ces accessoires inclus avec votre haut-parleur gplt series :

- (1) Orateur
- (1) Adaptateur
- (1) Mode d'emploi
- (1) Antenne FM
- (1) Télécommande
- (1) Microphone filaire

## Prudence

- Toutes les instructions d'utilisation doivent être lues avant d'utiliser cet équipement.
- Pour réduire le risque de choc électrique, n'ouvrez pas l'appareil. Il n'y a pas de pièces remplaçables par l'utilisateur à l'intérieur.
- Veuillez référer l'entretien à un technicien de service GEMINI qualifié. N'essayez pas de retourner cet équipement à votre concessionnaire.
- N'exposez pas cet appareil à la lumière directe du soleil ou à une source de chaleur telle qu'un radiateur ou un poêle.
- Cet appareil ne doit être nettoyé qu'avec un chiffon humide. Évitez les solvants ou autres détergents de nettoyage.
- Lors du déplacement de cet équipement, il doit être placé dans son carton et son emballage d'origine. Cela réduira le risque de dommages pendant le transport.
- N'exposez pas cet appareil à l'eau ou à la chaleur.
- N'utilisez pas de produits de nettoyage ou de lubrifiants sur les commandes ou les interrupteurs.

### Précautions

#### Veuillez lire attentivement avant de continuer

Suivez toujours les précautions de base énumérées ci-dessous pour éviter la possibilité de blessures graves ou même de décès par choc électrique, court-circuit, dommages, incendie ou autres dangers.

- *Lire les instructions:* Toutes les instructions de sécurité et d'utilisation doivent être lues avant que le produit ne soit utilisé.
- *Conservé les instructions :* Les instructions de sécurité et d'utilisation doivent être conservées pour référence future. Toutes les instructions de sécurité et d'utilisation doivent être lues avant que le produit ne soit utilisé.
- *Attention aux avertissements:* Tous les avertissements sur le produit et dans les instructions d'utilisation doivent être respectés.
- *Suivez les instructions:* Toutes les instructions d'utilisation et d'utilisation doivent être suivies.
- *Nettoyage:* Le produit ne doit être nettoyé qu'avec un chiffon de polissage ou un chiffon doux et sec. Ne nettoyez jamais avec de la cire de meubles, du benzène, des insecticides ou d'autres liquides volatils, car ils pourraient corroder l'armoire.
- *Eau et humidité:* N'utilisez pas ce produit près de l'eau, par exemple, près d'une baignoire, d'un lavabo, d'un évier de cuisine ou d'une baignoire à linge; dans un sous-sol humide; ou près d'une piscine; et similaires.
- *Ne pas ouvrir :* N'ouvrez pas l'appareil et n'essayez pas de démonter les pièces internes ou de les modifier de quelque manière que ce soit. L'appareil ne contient aucune pièce réparable par l'utilisateur. S'il semble défectueux, cessez immédiatement de l'utiliser et faites-le inspecter par du personnel de service GEMINI qualifié.
- *Pièces de rechange :* Lorsque des pièces de rechange sont requises, assurez-vous que le technicien de service a utilisé des pièces de rechange spécifiées par le fabricant ou qu'elles présentent les mêmes caractéristiques que la pièce d'origine. Des remplacements non autorisés peuvent entraîner un incendie, un choc électrique ou d'autres dangers.
- *Emplacement:* Avant de déplacer l'appareil, retirez tous les câbles connectés.
  - N'utilisez pas les poignées du haut-parleur pour une installation suspendue. Cela peut entraîner des dommages ou des blessures.
  - N'exposez pas l'appareil à une poussière ou à des vibrations excessives, à un froid ou à une chaleur extrêmes (par exemple à la lumière directe du soleil, près d'un appareil de chauffage) pour éviter la possibilité de défiguration du panneau ou d'endommagement des composants internes.
  - Ne placez pas l'appareil dans une position instable où il pourrait tomber accidentellement.
- *Connexions:* Avant de connecter l'appareil à d'autres appareils, coupez l'alimentation de tous les appareils. Avant d'allumer ou de désactiver la mise sous tension de tous les appareils, définissez tous les niveaux de volume au minimum.

## Panneau

1. Antenne FM

2. ENTRÉE CC

3. MIC-IN: Prise d'entrée micro filaire

4. GUITARE-IN: Prise d'entrée de guitare

5. LINE-IN: Prise d'entrée d'entrée d'entrée

6. LUMIÈRE DE CHARGE

7. USB: Prise d'entrée USB Important: Le port USB est destiné uniquement au transfert de données, les autres périphériques ne peuvent pas être utilisés avec cette connexion USB. L'utilisation de rallonges USB n'est pas recommandée.

8. INTERRUPTEUR D'ALIMENTATION: Appuyez sur cet interrupteur pour allumer ou éteindre l'appareil

9. VEILLE/LUMIÈRE À 360°: Appuyez sur cette touche pour allumer/éteindre la LUMIÈRE à 360°. Appuyez longuement la touche Veille, Marche et Arrêt.

10. SOURCE: Appuyez sur cette touche pour changer les sources entre USB, BT, FM, LINE.

11. X.BASS: Appuyez sur la touche pour activer / désactiver l'effet de basses supplémentaires.

12. EFFECTS: Appuyez sur cette touche pour changer le menu entre MIC, GUITARE, VOLUME, ECHO VOLUME, BASSE, AIGU.

13. VOLUME +/- : Pour régler les niveaux.

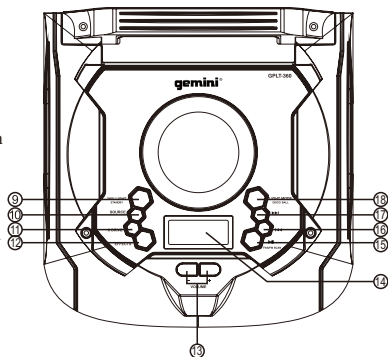
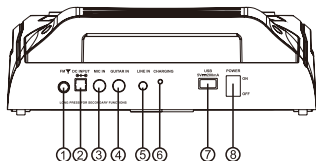
14. AFFICHAGE LED: Pour afficher l'état du haut-parleur.

15. ►/TWS/FM scan: En mode FM: Appuyez longuement pour la recherche entièrement automatique. En mode d'entrée USB / BT: Appuyez pour LIRE / METTRE EN PAUSE une piste. Appuyez longuement pour activer ou désactiver le mode TWS (True Wireless Stereo).

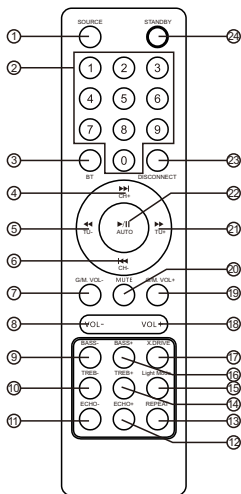
16. ◀◀ : Pour lire la chanson précédente en mode d'entrée USB/BT.

17. ▶▶ : Pour lire la chanson suivante en mode d'entrée USB/BT.

18. LIGHT MODE/ DISCO BALL: Maintenez cette touche enfoncée pour activer ou désactiver DISCO BALL. Appuyez sur pour changer le mode d'éclairage du haut-parleur avant entre LED1, LED2, LED3, LED4, OFF



## Télécommande



### 1. SOURCE

Press pour changer la source entre USB, BT, FM, LINE.

### 2.0 ~ 9 TOUCHES NUMÉRIQUES

Ces touches sont utilisées pour lire une piste directement en mode source USB. Par exemple: Pour lire la 12ème piste dans la liste de lecture USB, appuyez sur la touche numérique « 1 » suivie de « 2 ». En FM, pour sélectionner directement le canal enregistré ou la fréquence de la station d'entrée

### 3. BT

Press pour entrer en mode de couplage Bluetooth.

### 4. ►►/CH +

En mode USB / BT: Appuyez pour lire la chanson suivante  
En mode FM: Appuyez pour passer au canal enregistré suivant

### 5. ◀◀/TU-

En mode USB / BT: Appuyez pour rembobiner la chanson  
En mode FM: Appuyez pour régler la fréquence radio plus bas

### 6. ◀◀/CH-In

USB/BT Mode: Appuyez pour lire la chanson précédente  
En mode FM: Appuyez pour passer au canal enregistré précédent

7. GUITAR/MIC VOL- Diminution du volume DE LA GUITARE et du MIC.

8. VOL-  
Diminuer le volume.

9. BASS-  
Réduire l'égaliseur de fréquence BASS

10. TREB-  
Réduire l'égalisation des aigus

11. ECHO-  
Diminuer l'effet d'écho

12. ECHO+  
Augmenter l'effet d'écho

13. REPEAT (mode USB uniquement)  
Appuyez sur pour choisir le mode de répétition (Aléatoire, Simple, Répéter tout)

14. TREB+  
Augmenter l'égalisation des aigus

15. Light Mode  
Accrochez le mode d'éclairage entre LED1, LED2, LED3, LED4, OFF

16. BASS+  
Augmenter l'égaliseur de fréquence BASS

17. X DRIVE  
Appuyez sur cette touche pour activer / désactiver le mode Extra Bass

18. VOL+  
Augmentez le volume.

19. GUITAR/MICVOL+  
Augmenter le volume DE LA GUITARE et du MICRO

20. MUE T  
Appuyez sur pour DÉACTIVER/ACTIVER LE SON de la lecture du haut-parleur

21. ►►/TU-  
En mode USB/BT: Appuyez pour avancer rapidement la chanson  
En mode FM: Appuyez pour régler la fréquence radio plus haut

22. ►►/AUTO  
En mode USB / BT: Lecture / Pause  
En mode FM: Appuyez pour une recherche automatique complète des fréquences radio.

23. DISCONNECT (BT MODE) Appuyez sur pour déconnecter et coupler avec un nouvel appareil.

24. STANDBY  
Pour mettre le haut-parleur en mode veille

### **Paire Bluetooth et connexion**

- Éteignez tous les appareils Bluetooth précédemment jumelés (liés) à cet appareil.
- Activez la fonction Bluetooth sur votre téléphone ou votre appareil de lecture de musique.
- Appuyez sur la touche SOURCE sous GEMINI GPLT-360 pour passer en mode Bluetooth. LED « bt » sur l'écran LED indique qu'il est en mode d'appairage.
- Configurez votre téléphone ou votre lecteur de musique pour rechercher des appareils Bluetooth.
- Sélectionnez « GEMINI GPLT-360 » dans les résultats de recherche sur votre téléphone ou votre lecteur de musique.
- Sélectionnez OK ou OUI pour coupler cet appareil avec votre téléphone ou votre lecteur de musique.
- Si elle est protégée, entrez 0000 pour la clé d'accès, une lumière bleue constante indique une connexion réussie.
- Maintenez la touche de paire enfoncée pour déconnecter la connexion actuelle et le mode d'appariement du mangeur.

### **Mode TWS (True Wireless Stereo)**

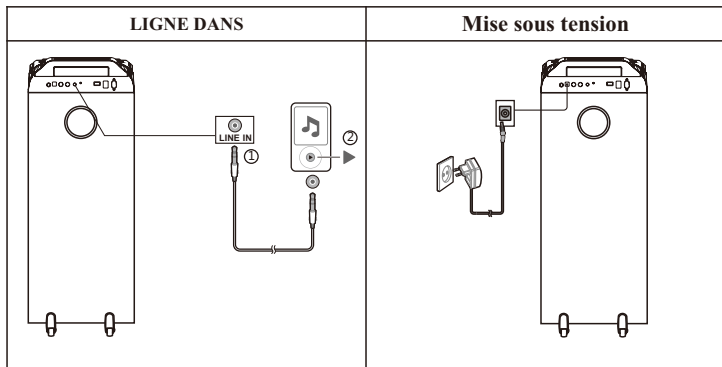
1. Allumez 2 haut-parleurs GEMINI GPLT-360 et passez en mode Bluetooth sur les deux.
2. Appuyez sur la touche « TWS » de chaque haut-parleur pendant 2 secondes, il affichera « ㄟ ㄝ ㄝ ㄝ » à l'écran, TWS se connecte à un autre équipement de haut-parleur et se connectera avec succès après une indication sonore ou un affichage affiche « bt »
3. Activez votre fonction Bluetooth sur votre téléphone mobile pour rechercher des appareils Bluetooth et sélectionnez « GEMINI GPLT-360 » dans le résultat de la recherche, sélectionnez OK ou OUI pour coupler cet appareil avec vos téléphones mobiles et une lumière bleue constante indiquera que la connexion est réussie et peut lire n'importe quelle musique de vos téléphones mobiles.
4. Appuyez sur la touche « TWS » du haut-parleur pendant 2 secondes et il désactivera les fonctionnalités TWS et affichera « ㄟ ㄝ ㄝ » à l'écran. (Le premier haut-parleur sera le canal GAUCHE et l'autre haut-parleur sera le canal DROIT.)

### **Fonctionnement de la radio FM**

1. Avant d'utiliser les fonctions radio, vous devez fixer l'antenne fournie. Ajustez l'antenne pour obtenir une réception optimale.
2. Appuyez sur [SOURCE] pour sélectionner le mode FM.
3. Appuyez sur la touche CH+/CH- de la télécommande ou maintenez la touche ◀◀/▶▶ enfoncée pour passer à la station de pré-réglage.
4. Appuyez sur la touche TU+/TU- de la télécommande ou appuyez sur la touche ◀◀/▶▶ du panneau supérieur pour régler manuellement la fréquence radio.  
(La touche numérique de la télécommande peut sélectionner directement la fréquence. Par exemple, entrez les clés « 8,8,1 » pour 88,1 MHz, les clés « 1,0,4,0 » pour 104,0 MHz. )
5. Appuyez sur la touche PLAY de la télécommande ou appuyez sur la touche ▶▶ sur le panneau supérieur, la machine scannera les canaux radio de basse fréquence à haute fréquence par elle-même et mémorisera les canaux un par un.

### **PILE**

En mode AC (alimentation), la batterie se charge automatiquement. Un voyant rouge lent indiquant que la batterie est en charge. Une fois complètement chargé, un voyant vert s'affiche. En mode DC (batterie), un voyant vert indique que le niveau de la batterie est plein. Si le niveau de la batterie est faible, un voyant rouge s'affiche. Cela indique que la batterie doit être immédiatement chargée ou que le haut-parleur s'éteindra.



## SPÉCIFICATIONS

Réponse en fréquence	-----25Hz-20KHz
Source d'alimentation	-----100-240V ~ , 60 / 50Hz
Consommation d'énergie	-----180W
Puissance de sortie	-----120W RMS
Bluetooth	-----V5.0
Radio FM	-----87.5-108 MHz
Taille de l'unité (L x P x H)	-----30.5x30x78.5cm
Taille du tweeter	-----1 x 1", 3 x 2"
Woofer taille	-----1 x 8"
Taille du caisson de basses	-----1 x 8"
Poids unitaire	-----11 kg
Température de fonctionnement	-----0-40° C

- La spécification ne se présente qu'à titre de référence. La valeur du poids et la taille sont des approximations.
- Nos produits sont constamment améliorés et les spécifications et la fonction peuvent être modifiées sans préavis



## Introduzione

Grazie per aver acquistato il nostro sistema di altoparlanti GEMINI GPLT-360 Complete High Power. Con un'adeguata cura e manutenzione, la tua unità fornirà anni di servizio affidabile e ininterrotto.

### Preparazione per il primo utilizzo

Assicurati di trovare questi accessori inclusi con il tuo altoparlante della serie GPLT:

- (1) *Relatore*
- (1) *Adattatore*
- (1) *Istruzioni per l'uso*
- (1) *Antenna FM*
- (1) *Telecomando*
- (1) *Microfono cablato*

## Cautela

- Tutte le istruzioni per l'uso devono essere lette prima di utilizzare questa apparecchiatura.
- Per ridurre il rischio di scosse elettriche, non aprire l'unità. Non ci sono parti sostituibili dall'utente all'interno.
- Si prega di fare riferimento alla manutenzione a un tecnico dell'assistenza GEMINI qualificato. Non tentare di restituire questa apparecchiatura al rivenditore.
- Non esporre questa unità alla luce solare diretta o a una fonte di calore come un radiatore o una stufa.
- Questa unità deve essere pulita solo con un panno umido. Evitare solventi o altri detersivi per la pulizia.
- Quando si sposta questa apparecchiatura, deve essere collocata nella sua scatola originale e nella confezione. Ciò ridurrà il rischio di danni durante il trasporto.
- Non esporre questa unità ad acqua o calore.
- Non utilizzare prodotti per la pulizia o lubrificanti sui comandi o sugli interruttori.

### Precauzioni

#### Si prega di leggere attentamente prima

Di procedere. Seguire sempre le precauzioni di base elencate di seguito per evitare la possibilità di lesioni gravi o addirittura la morte per scosse elettriche, cortocircuiti, danni, incendi o altri pericoli.

- **Istruzioni di lettura:** Tutte le istruzioni di sicurezza e operative devono essere lette prima che il prodotto venga utilizzato.
- **Conservare le istruzioni:** le istruzioni di sicurezza e operative devono essere conservate per riferimento futuro. Tutte le istruzioni di sicurezza e per l'uso devono essere lette prima che il prodotto venga utilizzato.
- **Avvertenze:** tutte le avvertenze sul prodotto e nelle istruzioni per l'uso devono essere rispettate.
- **Seguire le istruzioni:** tutte le istruzioni per l'uso e l'uso devono essere seguite.
- **Pulizia:** Il prodotto deve essere pulito solo con un panno lucidante o un panno morbido e asciutto. Non pulire mai con cera per mobili, benzene, insetticidi o altri liquidi volatili poiché potrebbero corrodere l'armadio.
- **Acqua e umidità:** non utilizzare questo prodotto vicino all'acqua, ad esempio vicino a una vasca da bagno, una ciotola per il lavaggio, un lavello da cucina o una vasca per lavanderia; in un seminterrato bagnato; o vicino a una piscina; e simili.
- **Non aprire:** non aprire il dispositivo o tentare di smontare le parti interne o modificarle in alcun modo. Il dispositivo non contiene parti riparabili dall'utente. Se dovesse risultare malfunzionante, interrompere immediatamente l'uso e farlo ispezionare da personale di assistenza GEMINI qualificato.
- **Parti di ricambio:** quando sono necessarie parti di ricambio, assicurarsi che il tecnico dell'assistenza abbia utilizzato parti di ricambio specificate dal produttore o abbia le stesse caratteristiche della parte originale. Sostituzioni non autorizzate possono causare incendi, scosse elettriche o altri pericoli.
- **Posizione:** prima di spostare il dispositivo, rimuovere tutti i cavi collegati.
  - Non utilizzare le maniglie dell'altoparlante per l'installazione sospesa. Ciò può causare danni o lesioni.
  - Non esporre il dispositivo a polvere o vibrazioni eccessive, o freddo o calore estremi (come alla luce diretta del sole, vicino a un riscaldatore) per prevenire la possibilità di deturpazione del pannello o danni ai componenti interni.
  - Non posizionare il dispositivo in una posizione instabile in cui potrebbe cadere accidentalmente.
- **Connessioni:** prima di collegare il dispositivo ad altri dispositivi, spegnere l'alimentazione per tutti i dispositivi. Prima di accendere o spegnere tutti i dispositivi, impostare tutti i livelli di volume al minimo.

## Pannello

1.FM Antenna

2.INGRESSO DC

3.MIC-IN: presa di ingresso microfono cablata

4.CHITARRA-IN: Presa di ingresso per chitarra

5.LINE-IN: Presa di ingresso line-in

6.LUCE DI RICARICA

7.USB: presa di ingresso USB Importante: la porta USB è destinata solo al trasferimento dati, altri dispositivi non possono essere utilizzati con questa connessione USB. L'uso di prolungha USB non è raccomandato.

8.INTERRUTTORE DI ALIMENTAZIONE: premere questo interruttore per accendere o spegnere l'unità

9.LUCE A 360 ° / STANDBY: premere questo tasto per accendere / spegnere la luce a 360 °. Premere a lungo per Standby, ON e OFF.

10.FONTE: Premere questo tasto per cambiare le sorgenti tra USB, BT, FM, LINE.

11.X DRIVE: premere il tasto per attivare o disattivare l'effetto extra dei bassi.

12.EFFECTS: Premere questo tasto per modificare il menu tra MIC, GUITAR, VOLUME, ECHO VOLUME, BASS, TREBLE.

13.VOLUME +/-: Per regolare i livelli.

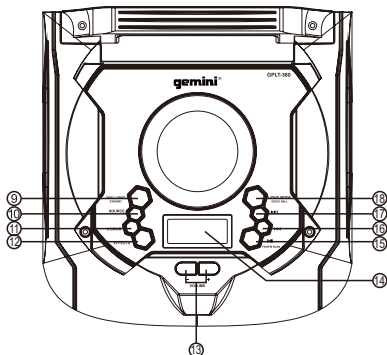
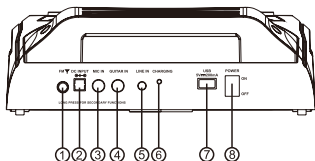
14.DISPLAY LED: per visualizzare lo stato dell'altoparlante.

15. ►/TWS/SCANSIONE AUTOMATICA FM: In modalità FM: Premere a lungo per la ricerca completamente automatica. In modalità di ingresso USB/BT: premere per RIPRODURRE/METTERE IN PAUSA una traccia. Tieni premuto per attivare o disattivare la modalità TWS (True Wireless Stereo).

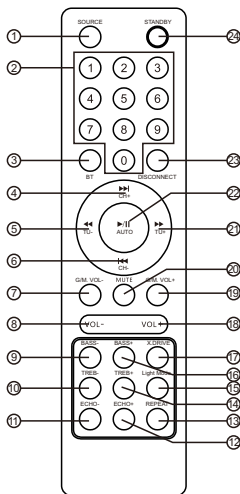
16. ◀◀: per riprodurre il brano precedente in modalità di ingresso USB/BT.

17. ▶▶: per riprodurre il brano successivo in modalità di ingresso USB/BT.

18.LIGHT MODE / DISCO BALL: Tenere premuto questo tasto per accendere o spegnere DISCO BALL. Premere per cambiare la modalità di luce dell'altoparlante anteriore tra: LED1, LED2, LED3, LED4, OFF



## Telecomando



## 1.SOURCE

Premere per cambiare la sorgente tra USB, BT, FM, LINE.

## 2.0 ~ 9 TASTI NUMERICI

Questi tasti vengono utilizzati per riprodurre una traccia direttamente in modalità sorgente USB. Ad esempio: per riprodurre la 12a traccia nella playlist USB premere il tasto numerico "1" seguito da "2". In FM, per selezionare direttamente il canale salvato o la frequenza della stazione di ingresso

## 3.BT

Premere per accedere alla modalità di associazione Bluetooth.

## 4. ►►/CH +

In modalità USB / BT: premere per riprodurre il brano successivo  
In modalità FM: premere per passare al canale salvato successivo

## 5. ◀◀ /TU-

In modalità USB / BT: premere per riavvolgere il brano  
In modalità FM: premere per regolare la frequenza radio più bassa

## 6. ◀◀ /CH-In

USB/BT Mode: premere per riprodurre il brano precedente  
In modalità FM: premere per passare al canale salvato precedente

7.GUITAR/MIC VOL-  
Diminuzione del volume della CHITARRA e del MICROFONO.

## 8.VOL-

Diminuire il volume.

## 9.BASS-

Ridurre l'equalizzazione delle basse frequenze

## 10.TREB-

Ridurre l'equalizzazione delle frequenze acute

## 11.ECHO-

Deaumentare l'effetto eco

## 12.ECHO+

Inaumentare l'effetto eco

## 13.RIPETI (solo modalità USB)

Premere per scegliere la modalità di ripetizione (Casuale, Singola, Ripeti tutto)

## 14.TREB+

Increase TREBLE frequenza EQ

## 15.Light mode

Change la modalità di luce tra LED1, LED2, LED3, LED4, OFF

## 16.BASS+

Aumenta frequenza BASS EQ

## 17.X DRIVE

Premere questo tasto per attivare / disattivare la modalità extra bass

## 18.VOL+

Aumentare il volume.

## 19.GUITAR/MICVOL+

Aumenta il volume di GUITAR e MIC

## 20.MUTO

Premere per DISATTIVARE/RIATTIVARE l'audio della riproduzione degli altoparlanti

## 21. ►► /TU-

in modalità USB/BT: premere per avanzare rapidamente il brano  
in modalità FM: premere per regolare la frequenza radio più in alto

## 22. ►► /AUTO

In Modalità USB/BT: Riproduci/Pausa  
In modalità FM: premere per la ricerca automatica completa delle frequenze radio.

## 23.DISCONNETTI (BT MODE)

Premere per disconnettersi e associarsi a un nuovo dispositivo.

## 24.STANDBY

Premere per mettere l'altoparlante in modalità Standby

### Accoppiamento e connessione Bluetooth

- Spegnerne tutti i dispositivi Bluetooth precedentemente associati (collegati) a questa unità.
- Attiva la funzione Bluetooth sul telefono o sul dispositivo di riproduzione musicale.
- Premere il pulsante SOURCE su GEMINI GPLT-360 per accedere alla modalità Bluetooth. Il LED "bt" sul display a LED indica che è in modalità di associazione.
- Imposta il telefono o il lettore musicale per cercare dispositivi Bluetooth.
- Seleziona "GEMINI GPLT-360" dai risultati della ricerca sul tuo telefono o lettore musicale.
- Selezionare OK o SÌ per associare l'unità al telefono o al lettore musicale.
- Se protetto, immettere 0000 per la luce blu fissa passkey che indica la connessione riuscita.
- Tenere premuto il tasto di coppia per disconnettere la connessione corrente e la modalità di accoppiamento del mangiatore.

### Modalità TWS (True Wireless Stereo)

1. Accendere 2 altoparlanti GEMINI GPLT-360 e accedere alla modalità Bluetooth su entrambi.
2. Premere il tasto "TWS" su ciascun altoparlante per 2 secondi, mostrerà "TWS" sul display, TWS si sta collegando a un'altra apparecchiatura di altoparlanti e si collegherà correttamente dopo che un'indicazione audio o un display mostra "bt"
3. Attiva la funzione Bluetooth sul tuo telefono cellulare per cercare i dispositivi Bluetooth e seleziona "GEMINI GPLT-360" dal risultato della ricerca, seleziona OK o SÌ per accoppiare questa unità con i tuoi telefoni cellulari e una luce blu fissa indicherà che la connessione è riuscita e può riprodurre qualsiasi musica dai tuoi telefoni cellulari.
4. Premere il tasto "TWS" sull'unità altoparlante per 2 secondi e si spengeranno le funzionalità TWS e il display "TWS" sul display. (Il primo oratore sarà il canale SINISTRO e l'altro oratore sarà il canale DESTRO.)

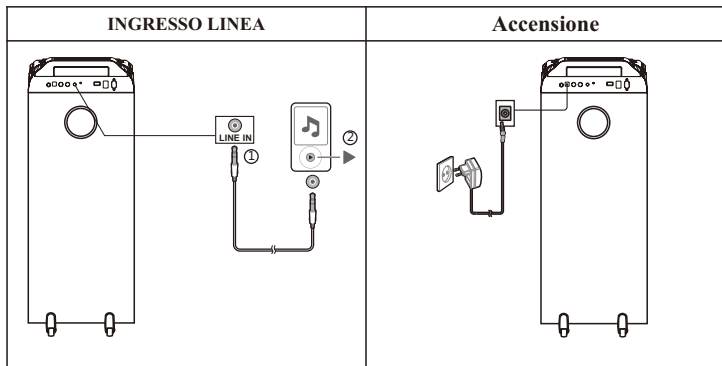
### Funzionamento radio FM

1. Prima di utilizzare le funzioni radio, è necessario collegare l'antenna in dotazione. Regolare l'antenna per ottenere una ricezione ottimale.
2. Premere [SOURCE] per selezionare la modalità FM.
3. Premere il tasto CH+/CH- sul telecomando o tenere premuto il tasto ◀▶ per passare alla stazione preimpostata.
4. Premere il tasto TU+/TU- sul telecomando o premere il tasto ◀▶ sul pannello superiore per regolare manualmente la frequenza radio.  
(Il tasto numerico sul telecomando può selezionare direttamente la frequenza. Ad esempio, immettere i tasti "8,8,1" per 88,1 MHz, i tasti "1,0,4,0" per 104,0 MHz.)
5. Premere il tasto PLAY sul telecomando o premere il tasto ▶|| sul pannello superiore, la macchina eseguirà la scansione dei canali radio dalla bassa frequenza all'alta frequenza da sola e memorizzerà i canali uno per uno.

### BATTERIA

In modalità AC (alimentazione) la batteria si caricherà automaticamente. Una luce rossa lampeggiante lenta indica che la batteria è in carica. Quando è completamente carico verrà visualizzata una luce verde.

In modalità DC (batteria) una luce verde indica che il livello della batteria è pieno. Se il livello della batteria è basso, verrà visualizzata una luce rossa. Ciò indica che la batteria deve essere caricata immediatamente o l'altoparlante si spegnerà.



## SPECIFICHE

Risposta in frequenza	-----25Hz-20KHz
Fonte di potere	-----100-240V ~, 60 / 50Hz
Consumo energetico	-----180W
Potenza di uscita	-----120W RMS
Bluetooth	-----V5.0
FM radio	-----87.5-108 MHz
Dimensioni unità (L x P x A)	-----30.5x30x78.5cm
Dimensioni tweeter	-----1 x 1", 3 x 2"
Woofer dimensioni	-----1 x 8"
Dimensioni subwoofer	-----1 x 8"
Peso unità	-----11 kg
Temperatura di lavoro	-----0-40° C

- La specifica viene presentata solo come riferimento. Il valore del peso e delle dimensioni sono approssimazioni.
- I nostri prodotti sono costantemente migliorati e le specifiche e le funzioni possono essere modificate senza preavviso.

## Introductie

Bedankt voor de aankoop van ons GEMINI GPLT-360 Complete High Power Speaker System. Met de juiste zorg en onderhoud biedt uw apparaat jarenlange betrouwbare, ononderbroken service.

### Voorbereiden voor het eerste gebruik

Zorg ervoor dat u deze accessoires vindt die bij uw GPLT-serie luidspreker worden geleverd:

- (1) Spreker
- (1) Adapter
- (1) Gebruiksaanwijzing
- (1) FM-antenne
- (1) Afstandsbediening
- (1) Bedrade microfoon

## Voorzichtigheid

- Alle gebruiksaanwijzingen moeten worden gelezen voordat u deze apparatuur gebruikt.
- Om het risico op elektrische schokken te verminderen, moet u het apparaat niet openen. Er zitten geen door de gebruiker vervangbare onderdelen in.
- Raadpleeg het onderhoud aan een gekwalificeerde GEMINI-servicetechnicus. Probeer deze apparatuur niet terug te sturen naar uw dealer.
- Stel dit toestel niet bloot aan direct zonlicht of aan een warmtebron zoals een radiator of kachel.
- Dit apparaat mag alleen worden gereinigd met een vochtige doek. Vermijd oplosmiddelen of andere reinigingsmiddelen.
- Bij het verplaatsen van deze apparatuur moet deze in de originele doos en verpakking worden geplaatst. Dit vermindert het risico op schade tijdens het transport.
- Stel dit toestel niet bloot aan water of warmte.
- Gebruik geen reinigingsproducten of smeermiddelen op de bedieningselementen of schakelaars.

### Voorzorgsmaatregelen

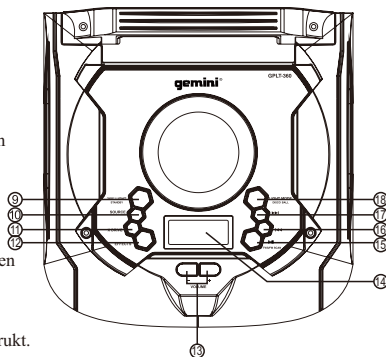
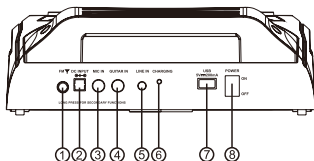
#### Lees aandachtig voordat u verder gaat

Volg altijd de onderstaande basisvoorzorgsmaatregelen om de mogelijkheid van ernstig letsel of zelfs de dood door elektrische schokken, kortsluiting, schade, brand of andere gevaren te voorkomen.

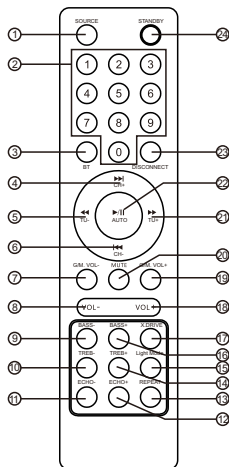
- *Lees instructies:* Alle veiligheids- en gebruiksaanwijzingen moeten worden gelezen voordat het product wordt gebruikt.
  - *Bewaar instructies:* De veiligheids- en gebruiksaanwijzingen moeten worden bewaard voor toekomstig gebruik. Alle veiligheids- en gebruiksaanwijzingen moeten worden gelezen voordat het product wordt bediend.
  - *Let op waarschuwingen:* Alle waarschuwingen op het product en in de gebruiksaanwijzing moeten worden nageleefd.
  - *Volg de instructies:* Alle bedienings- en gebruiksinstructies moeten worden gevolgd.
  - *Reiniging:* Het product mag alleen worden gereinigd met een poetsdoek of een zachte droge doek. Reinig nooit met meubelwas, benzeen, insecticiden of andere vluchtige vloeistoffen, omdat deze de kast kunnen corroderen.
  - *Water en vocht:* Gebruik dit product niet in de buurt van water, bijvoorbeeld in de buurt van een bad, waskom, gootsteen of wastobbe; in een natte kelder; of in de buurt van een zwembad; en dergelijke.
  - *Niet openen:* Open het apparaat niet en probeer de interne onderdelen niet te demonteren of op geen enkele manier te wijzigen. Het apparaat bevat geen door de gebruiker bruikbare onderdelen. Als het zou blijken te werken, stop dan onmiddellijk met het gebruik en laat het inspecteren door gekwalificeerd GEMINI-servicepersoneel.
  - *Vervangende onderdelen:* Wanneer vervangende onderdelen nodig zijn, moet u ervoor zorgen dat de servicetechnicus vervangende onderdelen heeft gebruikt die door de fabrikant zijn gespecificeerd of dezelfde kenmerken hebben als het originele onderdeel. Ongeautoriseerde vervangingen kunnen leiden tot brand, elektrische schokken of andere gevaren.
  - *Locatie:* Voordat u het apparaat verplaatst, verwijdert u alle aangesloten kabels.
  - Gebruik de handgrepen van de luidspreker niet voor een hangende installatie. Dit kan leiden tot schade of letsel.
  - Stel het apparaat niet bloot aan overmatig stof of trillingen, of extreme kou of hitte (zoals in direct zonlicht, in de buurt van een verwarming) om de mogelijkheid van paneelverminking of schade aan de interne componenten te voorkomen.
  - Plaats het apparaat niet in een onstabiele positie waar het per ongeluk kan omvallen.
  - *Verbindingen:* Voordat u het apparaat op andere apparaten aansluit, schakelt u de stroom voor alle apparaten uit.
- Voordat u de stroom voor alle apparaten inschakelt, stelt u alle volumeniveaus in op een minimum.

## Paneel

1. FM-antenne
2. DC-INGANG
3. MIC-IN: Bedrade microfooningang
4. GITAAR-IN: Gitaar ingang
5. LINE-IN: Line-in ingang
6. OPLAADLAMPJE
7. USB: USB-ingang Belangrijk: De USB-poort is alleen bedoeld voor gegevensoverdracht, andere apparaten kunnen niet worden gebruikt met deze USB-verbinding. Het gebruik van USB-verlengsnoeren wordt niet aanbevolen.
8. AAN/UIT-SCHAKELAAR: Druk op deze schakelaar om het toestel AAN of UIT te zetten
9. 360° LIGHT/ STANDBY: Druk op deze toets om het 360° lampje AAN/UIT te zetten. Lang druk voor stand-by, AAN en UIT ingedrukt.
10. BRON: Druk op deze toets om de bronnen tussen USB, BT, FM, LINE te wijzigen.
11. X DRIVE: Druk op de toets om het extra baseffect AAN/UIT te zetten.
12. EFFECTS: Druk op deze toets om het menu te wijzigen tussen MIC, GUITAR, VOLUME, ECHO VOLUME, BASS, TREBLE.
13. VOLUME +/-: Om de niveaus aan te passen.
14. LED DISPLAY: Om de luidsprekerstatus weer te geven.
15. ►||/TWS/FM scan: In FM-modus: Lang druk voor de volautomatische zoekopdracht. In USB/BT-ingangsmodus: druk hierop om een track af te spelen/pauzeren. Lang ingedrukt om de TWS-modus (True Wireless Stereo) in of uit te schakelen.
16. ◀◀: Om het vorige nummer af te spelen in de USB/BT-ingangsmodus.
17. ▶▶: Om het volgende nummer af te spelen in de USB/BT-ingangsmodus.
18. LIGHT MODE / DISCO BALL: Lang ingedrukt om DISCO BALL in of uit te schakelen. Druk om de lichtmodus voor de voorluidspreker te wijzigen tussen LED1, LED2, LED3, LED4, UIT



## Afstandsbediening



### 1.SOURCE

Druk hierop om de bron te wijzigen tussen USB, BT, FM, LINE.

### 2.0 ~ 9 NUMERIEKE SLEUTELS

Deze toetsen worden gebruikt om een nummer rechtstreeks in de USB-bronmodus af te spelen. Bijvoorbeeld: Om het 12e nummer in de USB-afspeellijst af te spelen, drukt u op de numerieke toets "1" gevolgd door "2". In FM, om het opgeslagen kanaal of de frequentie van het ingangstation rechtstreeks te selecteren

### 3.BT

Druk ok om de Bluetooth-koppelingsmodus te openen.

### 4. ►► /CH+

In USB/BT-modus: druk om het volgende nummer af te spelen

In FM-modus: Druk om naar het volgende opgeslagen kanaal te gaan

### 5. ◀◀ /TU-

In USB / BT-modus: druk om het nummer terug te spoelen

IN FM-modus: druk om de radiofrequentie lager aan te passen

### 6. ◀◀ /CH-In

USB/BT-modus: Druk om het vorige nummer af te spelen

FM-modus: Druk om naar het vorige opgeslagen kanaal te gaan

### 7.GUITAR/MIC VOL-

Verlaag het GITAAR- en microfoonvolume.

### 8.VOL-

Verlaag het volume.

### 9.BASS-

Verminder basfrequenties EQ

### 10.TREB-

Hogere frequenties verlagen

### 11.ECHO-

Decreteer het echo-effect

### 12.ECHO+

Increteer het echo-effect

### 13.REPEAT (alleen USB-modus)

Druk hierop om de herhalingsmodus te kiezen (Willekeurig, Enkelvoudig, Alles herhalen)

### 14.TREB+

Hoge tonen verhogen EQ

### 15.Light mode

Change de lichtmodus tussen LED1, LED2, LED3, LED4, UIT

### 16.BASS+

Verhoog BASS frequentie EQ

### 17.X DRIVE

Druk op deze toets om de extra basmodus aan/uit te zetten

### 18.Vol +

Verhoog het volume.

### 19.GUITAR/MICVOL+

Verhoog het volume van DE GITAAR en microfoon

### 20.STOM

Druk op de knop om het afspelen van de luidspreker te deMPEN/ DEMPEN

### 21.►► /TU-In USB/BT-modus: Druk om het nummer vooruit te spoelen

In FM-modus: Druk om de radiofrequentie hoger aan te passen

### 22.►► /AUTO

In USB/BT-modus: AfspeLEN/pauzeren in FM-modus: druk hierop voor een volledig automatisch zoeken naar radiofrequenties.

### 23.DISCONNECT (BT MODE)

Druk hierop om de verbinding te verbreken en te koppelen met een nieuw apparaat.

### 24.STANDBY

Stand-by AAN/UIT-toets.



## Bluetooth koppelen en verbinden

- Schakel alle Bluetooth-apparaten uit die eerder met dit toestel zijn gekoppeld (gekoppeld).
- Schakel de Bluetooth-functie in op uw telefoon of apparaat voor het afspelen van muziek.
- Druk op de KNOP SOURCE op de GEMINI GPLT-360 om de Bluetooth-modus te openen. LED "bt" op het LED-display geeft aan dat het in de koppelingsmodus staat.
- Stel uw telefoon of muzikspeler in om naar Bluetooth-apparaten te zoeken.
- Selecteer "GEMINI GPLT-360" in de zoekresultaten op uw telefoon of muzikspeler.
- Selecteer OK of JA om dit toestel te koppelen met uw telefoon of muzikspeler.
- Als u beveiligd bent, voert u 0000 in voor wachtwoordcode steady blue light geeft aan dat de verbinding is geslaagd.
- Houd de koppelingstoets ingedrukt om de huidige convectie en de koppelingsmodus van de eter los te koppelen.

## TWS-modus (True Wireless Stereo)

1. Schakel 2 GEMINI GPLT-360-luidsprekers in en ga naar de Bluetooth-modus op beide.
2. Druk gedurende 2 seconden op de "TWS" -toets op elke luidspreker, er wordt "t of" weergegeven op het display, TWS maakt verbinding met een andere luidsprekerapparatuur en maakt met succes verbinding nadat een geluidsindicatie of display "bt" toont
3. Schakel uw Bluetooth-functie op uw mobiele telefoon in om Bluetooth-apparaten te zoeken en selecteer "GEMINI GPLT-360" in het zoekresultaat, selecteer OK of JA om dit toestel te koppelen met uw mobiele telefoons en een constant blauw lampje geeft aan dat de verbinding succesvol is en kan alle muziek van uw mobiele telefoons afspelen.
4. Druk gedurende 2 seconden op de "TWS" -toets op de luidsprekereenheid en deze schakelt TWS-functies uit en geeft "t of" weer op het display. (De eerste spreker zal het LINKER kanaal zijn en de andere spreker zal het RECHTER kanaal zijn.)

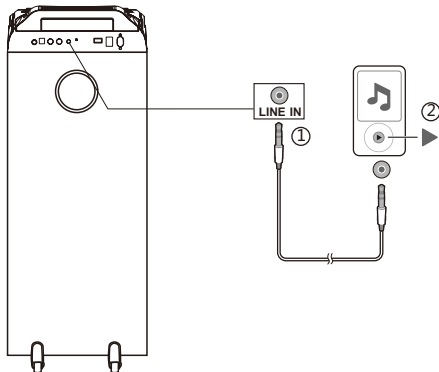
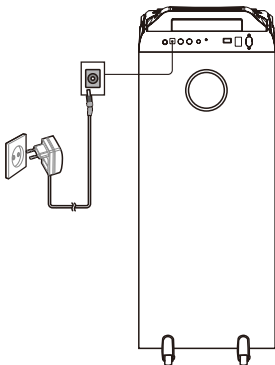
## FM-radio bediening

1. Voordat u de radiofuncties gebruikt, moet u de meegeleverde antenne aansluiten. Pas de antenne aan voor een optimale ontvangst.
2. Druk op [SOURCE] om FM-modus te selecteren.
3. Druk op de CH+/CH-toets op de afstandsbediening of houd de toets ◀◀/▶▶ ingedrukt om naar het vooraf ingestelde station te gaan.
4. Druk op de TU+/TU-toets op de afstandsbediening of druk op de toets ◀◀/▶▶ op het bovenpaneel om de radiofrequentie handmatig aan te passen.
5. (De nummertoes op de afstandsbediening kan direct de frequentie selecteren. Zoals voer "8,8,1" toetsen in voor 88,1 MHz, "1,0,4,0" toetsen voor 104,0 MHz. )
6. Druk op de PLAY-toets op de afstandsbediening of druk op de toets ▶▶ op het bovenpaneel, het apparaat scant zelf radiokanalen van laagfrequent naar hoogfrequent en onthoudt de kanalen één voor één.

**BATTERIJ**

In de ac -modus (power) wordt de batterij automatisch opgeladen. Een langzaam rood knipperend lampje geeft aan dat de batterij wordt opgeladen. Wanneer volledig opgeladen, wordt een groen lampje weergegeven.

In de DC-modus (batterijmodus) geeft een groen lampje aan dat het batterijniveau vol is. Als het batterijniveau laag is, wordt een rood lampje weergegeven. Dit geeft aan dat de batterij onmiddellijk moet worden opgeladen, anders wordt de luidspreker uitgeschakeld.

**LIJN IN****Inschakelen**

**SPECIFICATIES**

Frequentiebereik-----	25Hz-20KHz
power source-----	100-240V~,60/50Hz
stroomverbruik-----	180W
uitgangsvermogen-----	120W RMS
Bluetooth-----	V5.0
FM-radio-----	87,5-108 MHz
Eenheidsgrootte (B x D x H) -----	30,5x30x78,5 cm
Tweetergrootte -----	1 x 1 inch, 3 x 2 inch
Woofers grootte-----	1 x 8 inch
subwoofer grootte -----	1 x 8 inch
eenheid gewicht-----	11kg
werktemperatuur-----	0-40° C

- De specificatie presenteert alleen als referentie. De waarde van gewicht en grootte zijn benadering.
- Onze producten worden voortdurend verbeterd en de specificatie en functie kunnen zonder voorafgaande kennisgeving worden gewijzigd.

# gemini<sup>®</sup>

**If you experience problems with this unit,  
call 732-346-0061 for Gemini customer service.  
Do not attempt to return this equipment to your dealer.**

Parts of the design of this product may be protected by worldwide patents. Information in this manual is subject to change without notice and does not represent a commitment on the part of the vendor. Gemini shall not be liable for any loss or damage whatsoever arising from the use of information or any error contained in this manual. No part of this manual may be reproduced, stored in a retrieval system or transmitted, in any form or by any means, electronic, recommended that all maintenance and service on this product is performed by Gemini or its authorized agents. Gemini will not accept liability for loss or damage caused by maintenance or repair performed by unauthorized personnel.

**WWW.GEMINISOUND.COM**