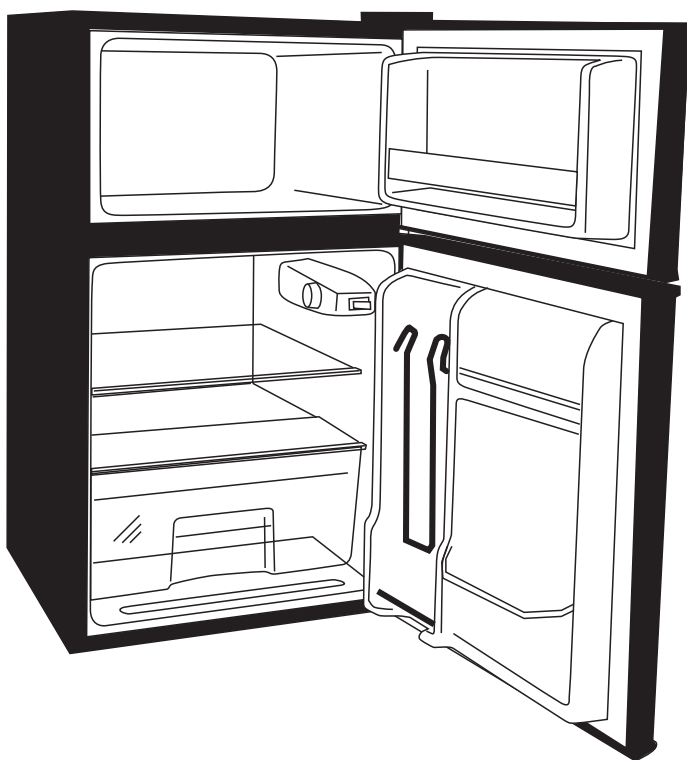


FRIGIDAIRE®

Refrigerator 3.2^{CU FT} / Freezer 90^L



FRIGIDAIRE is a pending or registered trademark used under license from Electrolux Home Products, Inc.

Made In China

For service assistance and product information, please call: 1-800-968-9853.

Curtis International Ltd.

7045 BECKETT DRIVE, UNIT 15, MISSISSAUGA, ON, L5S 2A3 www.curtisint.com

USER MANUAL

EFR840

SAFETY PRECAUTIONS

WARNING: Read all of the instructions before using this appliance.



When using this appliance, always exercise basic safety precautions, including the following:

NOTE: If the refrigerator/freezer has been placed in a horizontal or tilted position for any period of time wait 24 hours before plugging the unit in.

- 1) Use this appliance only for its intended purpose as described in this use and care guide.
- 2) This refrigerator/freezer must be properly installed in accordance with the installation instructions before it is used. See grounding instructions in the installation section.
- 3) This refrigerator/freezer should not be recessed or built-in an enclosed cabinet. It is designed for freestanding installation only.
- 4) Never unplug your refrigerator/freezer by pulling on the power cord. Always grasp the plug firmly and pull straight out from the outlet.
- 5) **DANGER** - Risk of Fire or Explosion. Flammable refrigerant used. Do not use Mechanical devices to defrost refrigerator. Do not puncture refrigerant tubing.
- 6) If your old refrigerator/freezer is not being used, we recommend that you remove the doors. This will reduce the possibility of danger to children.

- 7) **WARNING:** After your refrigerator/freezer is in operation, do not touch the cold surfaces in the freezer compartment, particularly when hands are damp or wet. Skin may adhere to these extremely cold surfaces.



- 8) Do not refreeze foods, which have been thawed completely. The United States Department of Agriculture in Home and Garden Bulletin No. 69 reads: "...You may safely refreeze frozen foods that have thawed if they still contain ice crystals or if they are still cold-below 40°F".

"...Thawed ground meats, poultry, or fish that have any off-odor or offcolor should not be refrozen and should not be eaten. Thawed ice cream should be discarded. If the odor or color of any food is poor or questionable, discard it. The food may be dangerous to eat."

"...Even partial thawing and re-freezing reduce the eating quality of foods, particularly fruits, vegetables, and prepared foods. The eating quality of red meats is affected less than that of many other foods. Use refrozen foods as soon as possible, to save as much of their eating quality as you can."

- 9) Do not use any electrical device or any sharp instrument in defrosting your refrigerator.
- 10) Unplug your refrigerator/freezer before cleaning or before making any repairs.
Note: If for any reason this product requires service, we strongly recommend that a certified technician perform service.
- 11) Do not operate your refrigerator in the presence of explosive fumes.

SAVE THESE INSTRUCTIONS

CAUTION - Risk of Fire or Explosion

Dispose of property in accordance with Federal or Local Regulations. Flammable refrigerant used.



DANGER

Risk of child entrapment. Before you throw away your old refrigerator or freezer, take off the doors. Leave the shelves in place so that children may not easily climb inside.

Thank you for purchasing our product. This easy-to-use manual will guide you in getting the best use of your appliance.

Remember to record the model and serial number. They are on a label in back of the appliances.

Model number

Serial number

Date of purchase

**Staple your receipt to your manual.
You will need it to obtain warranty service.**

TABLE OF CONTENTS

Safety Precautions	1
Parts And Features	3
Installation Instructions	4
Unpacking Your Refrigerator	4
Leveling Your Refrigerator	4
Proper Air Circulation.....	4
Electrical Requirements	4
Door Alignment	5
Refrigerator Features and Use	6
General Features	6
Refrigerator Interior Shelves.....	6
Using Dispense-A-Can	6
Crisper	6
Defrosting Your Refrigerator	7
Food Storage Information	8
Normal Operating Sounds.....	9
Proper Refrigerator Care and Cleaning	9
Cleaning and Maintenance.....	9
Light Bulb Replacement.....	10
Power Interruptions.....	10
Vacations and Moving Care.....	10
Troubleshooting	11



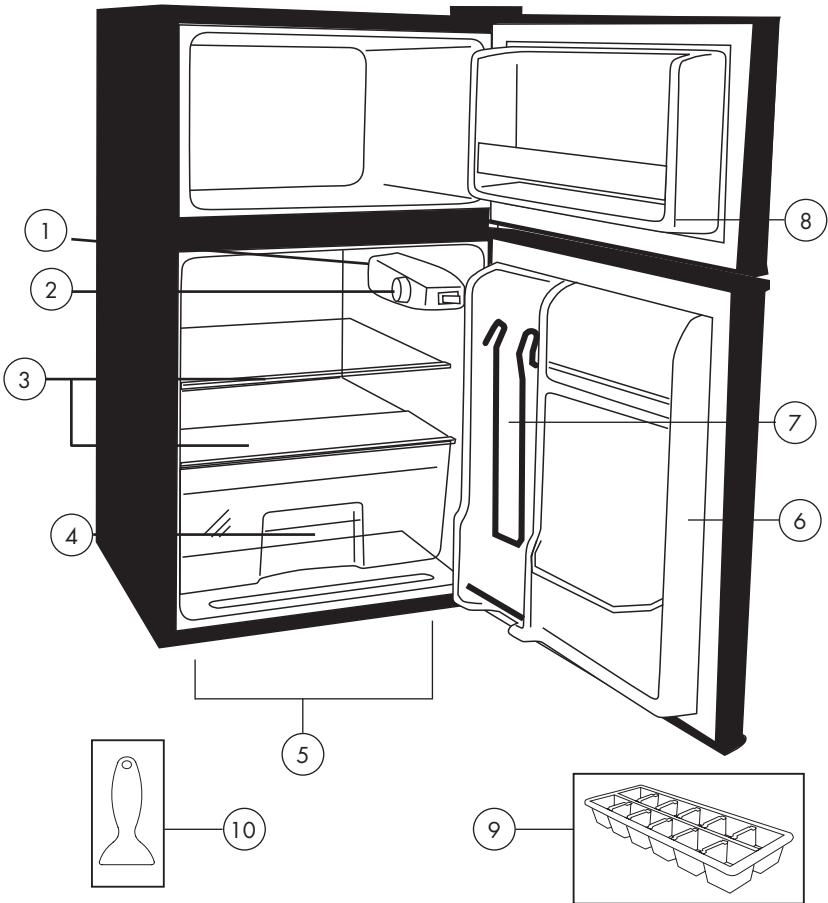
DANGER – Risk Of Fire Or Explosion. Flammable Refrigerant Used. To Be Repaired Only By Trained Service Personnel. Do Not Puncture Refrigerant Tubing

CAUTION – Risk Of Fire Or Explosion. Flammable Refrigerant Used. Consult Repair Manual/Owner's Guide Before Attempting To Service This Product. All Safety Precautions Must be Followed

CAUTION – Risk Of Fire Or Explosion. Dispose Of Property In Accordance With Federal Or Local Regulations. Flammable Refrigerant Used

CAUTION – Risk Of Fire Or Explosion Due To Puncture Of Refrigerant Tubing; Follow Handling Instructions Carefully. Flammable Refrigerant Used

Parts And Features



- 1. Interior Light
- 2. Temperature Control
- 3. Refrigerator Shelves
- 4. Crisper
- 5. Front Leveling Legs

- 6. Refrigerator Door Shelves
- 7. "Dispense-A-Can" Storage
- 8. Freezer Door Shelf
- 9. Ice Cube Tray
- 10. Ice Scraper

Installing Your Refrigerator

Unpacking Your Refrigerator

1. Remove all packaging material. This includes the foam base and all adhesive tape holding the refrigerator accessories inside and outside.
2. Inspect and remove any remains of packing, tape or printed materials before powering on the refrigerator.



CAUTION

Risk of Fire or Explosion due to puncture of refrigerant tubing. Flammable refrigerant used. Handle with care when moving refrigerator to avoid either damaging the refrigerant tubing or increasing the risk of a leak.

Leveling Your Refrigerator

- Your refrigerator has two leveling legs which are located in the front bottom corners of your refrigerator. After properly placing your refrigerator in its final position, you can level your refrigerator.
- Leveling legs can be adjusted by turning them counterclockwise to raise your refrigerator or by turning them clockwise to lower your refrigerator. The refrigerator door will close easier when the leveling legs are extended.

Proper Air Circulation

- To ensure your refrigerator works at the maximum efficiency it was designed for, you should install it in a location where there is proper air circulation, plumbing and electrical connections.
- The following are recommended clearances around the refrigerator:

Sides.....	3/4" (19mm)
Top.....	2" (50mm)
Back.....	2" (50mm)



WARNING: ELECTRICAL REQUIREMENT - SHOCK HAZARD

Electrical Requirement

- Make sure there is a suitable power outlet (120 volts, 15 amps outlet) with proper grounding to power the refrigerator.
- Avoid the use of three prong adapters or cutting off the third grounding prong in order to accommodate a two prong outlet. This is a dangerous practice since it provides no effective grounding for the refrigerator and may result in shock hazard.



WARNING: USE OF EXTENSION CORDS- POTENTIAL SAFETY HAZARD



WARNING: USE OF EXTENSION CORDS- POTENTIAL SAFETY HAZARD

Use of Extension Cords

- Avoid the use of an extension cord because of potential safety hazards under certain conditions. If it is necessary to use an extension cord, use only a 3-wire extension cord that has a 3-blade grounding plug and a 3-slot outlet that will accept the plug. The marked rating of the extension cord must be equal to or greater than the electrical rating of the appliance. **DO NOT USE EXTENSION CORD LONGER THAN 12 FT.**

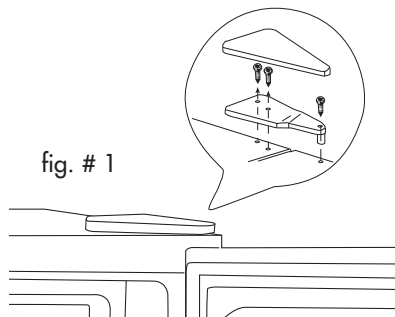
Installation Limitations

- Do not install your refrigerator in any location not properly insulated or heated, e.g. garage, etc. Your refrigerator was not designed to operate in temperature settings below 55° Fahrenheit.
- Select a suitable location for the refrigerator on a hard even surface away from direct sunlight or heat source, e.g. radiators, baseboard heaters, cooking appliances, etc. Any floor unevenness should be corrected with the leveling legs located on the front bottom corners of the refrigerator.

Door Alignment

Freezer Door: (see fig. #1)

1. Remove the top hinge cover.
2. Loosen the top hinge screws using a phillips head screwdriver.
3. Adjust the door or put a spacer in between and then tighten the screws.
4. Replace the top hinge cover.



Refrigerator Features And Use General Features

Adjustable temperature dial:

Your refrigerator will automatically maintain the temperature level you select. The temperature control dial has 7 settings plus 0. 1 is the warmest. 7 is the coldest. Turning the dial to 0 Stops cooling in both the refrigeration and freezer sections. At first, set the dial to 4 and allow 24 hours to pass before adjusting the temperature to your needs.

(Note: If the refrigerator has been placed in a horizontal or tilted position for any period of time wait 24 hours before plugging the unit in.)

Refrigerator Interior Shelves

To remove or replace a full-width slide-out shelf:

(see fig. # 2)

1. Gently tilt the shelf up and slide forward until the shelf has been completely removed.
2. To replace the shelf, gently slide the shelf back.

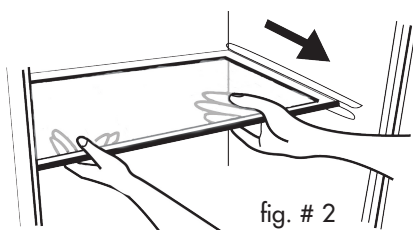


fig. # 2

Using the Dispense-A-Can

- Your refrigerator is equipped with the convenient "Dispense-A-Can" compartment. Each compartment will hold up to six cans. Simply load the cans from the top. To dispense a can, simply draw one out from the bottom. It is that easy.

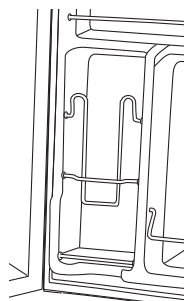


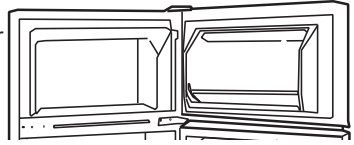
fig. # 3

Crisper

- Your refrigerator has a clear crisper. Grasp the top of the crisper and gently slide out. Push back to replace.

Defrosting Your Refrigerator

- For maximum energy efficiency, defrost freezer section whenever frost accumulates to a thickness of 1/4" or more on freezer walls. Note that frost tends to accumulate more during the summer months.



DANGER - Risk of Fire or Explosion due to puncture refrigerant tubing. Flammable refrigerant used. Do not use metal instruments to defrost refrigerator. Do not puncture refrigerant tubing.

- To defrost freezer, remove food and ice cube tray from the freezer section. Turn temperature control dial to "0" position. Defrosting may take a few hours. To speed up defrost time, keep the door open and place a bowl of warm water in the freezer.
- During the defrost, water will accumulate. Use a towel to wipe off excess dripping water. Do not leave unattended.
- After defrosting, empty and wipe down the interior of the freezer. You may now reset your refrigerator to the desired temperature and return food.
- Your freezer has been equipped with an ice scraper for your convenience.

Maintenance

Risk of Fire or Explosion. Flammable refrigerant used. Do not puncture of refrigerant tubing. To be repaired only by trained authorized service personnel. Consult Repair Manual before attempting to service this product. All Safety Precautions Must be followed. Component parts shall be replaced with like components to minimize the risk of possible ignition due to incorrect parts or improper service.

Food Storage Information

Fresh Food:

- When storing fresh food that is not prepackaged, be sure to wrap or store food in airtight and moisture proof material unless otherwise noted. This will ensure proper shelf life and prevent the transfer of odors and tastes.
- Wipe containers before storing to avoid needless spills.
- Eggs should be stored in an upright position in their original carton to maximize shelf life.
- Fruit should be washed and dried, then stored in sealed plastic bags before storing in the refrigerator.
- Vegetables with skins should be stored in plastic bags or containers.
- Leafy vegetables should be washed and drained and then stored in plastic bags or containers.
- Hot food should be allowed to cool before storing in the refrigerator. This will prevent unnecessary energy use.
- Fresh seafood should be used the same day as purchased.
- When storing meats in the fresh food section, keep in the original packaging or rewrap as necessary. Follow the suggestions below for safe storage:

• Chicken	1-2 Days
• Ground Beef	1-2 Days
• Cold Cuts	3-5 Days
• Steaks/Roasts	3-5 Days
• Smoked/Cured Meats	7-10 Days

For detailed storage chart visit FDA website:
www.cfsan.fda.gov/~dms/fttstore.html

Frozen Food:

- **Wipe containers before storing to avoid needless spills.**
- Hot food should be allowed to cool before storing in the freezer. This will prevent unnecessary energy use.
- When storing meats, keep in the original packaging or rewrap as necessary.
- Proper freezer storage requires correct packaging. All foods must be in packages, which do not allow the flow of air or moisture in, or out. Improper storage will result in odor and taste transfer and will result in the drying out of the improperly packaged food.
- Follow package or container instructions for proper storage.
- Packaging Recommendations:
 - Plastic containers with air tight lids
 - Heavy duty aluminum foil
 - Plastic wrap made from saran film
 - Self-sealing plastic bags
- Do not refreeze defrosted/thawed foods.
- It is recommended that the freezing date be marked on the packaging.

These are some suggestions for safe storage:

- | | |
|------------------------------------|---------------|
| • TV Dinners | 3 - 4 Months |
| • Fresh Shrimp, scallops, crawfish | 3 - 6 Months |
| • Hamburger & stew meats | 3 - 4 Months |
| • Ground Turkey, veal, pork | 3 - 4 Months |
| • Chops | 4 - 6 Months |
| • Steaks | 6 - 12 Months |
| • Chicken or turkey, whole | 1 year |

For detailed storage chart visit FDA website:
www.fda.gov

Normal Operating Sounds You May Hear

- Boiling water, gurgling sounds or slight vibrations that are the result of the refrigerant circulating through the cooling coils.
- The thermostat control will click when it cycles on and off.

Proper Refrigerator Care and Cleaning

Cleaning and Maintenance

WARNING:



To avoid electric shock, always unplug your refrigerator before cleaning. Ignoring this warning may result in death or injury.

CAUTION:



Before using cleaning products, always read and follow manufacturer's instructions and warnings to avoid personal injury or product damage.

General:

Prepare a cleaning solution of 3-4 tablespoons of baking soda mixed with warm water. Use sponge or soft cloth, dampened with the cleaning solution, to wipe down your refrigerator.

- Rinse with clean warm water and dry with a soft cloth.
- Do not use harsh chemicals, abrasives, ammonia, chlorine bleach, concentrated detergents, solvents or metal scouring pads. Some of these chemicals may dissolve, damage and/or discolor your refrigerator.

Door Gaskets:

Clean door gaskets every three months according to general instructions. Gaskets must be kept clean and pliable to assure a proper seal

- Petroleum jelly applied lightly on the hinge side of gaskets will keep the gasket pliable and ensure a good seal.

Light Bulb Replacement

1. Switch off power to refrigerator.
2. Gently pull out the clear cover
3. Replace with same type light bulb rated at 10 watts.
- 4 . Push the clear cover back into place.

Power Interruptions

- Occasionally there may be power interruptions due to thunderstorms or other causes. Remove the power cord from AC outlet when a power outage occurs. When power has been restored, replug power cord to AC outlet. If outage is for a prolonged period, inspect and discard spoiled or thawed food in freezer and refrigerator. Clean refrigerator before reusing.

WARNING: IF OUTAGE IS FOR A PROLONGED PERIOD, INSPECT AND DISCARD SPOILED OR THAWED FOOD IN FREEZER AND REFRIGERATOR. CLEAN REFRIGERATOR BEFORE REUSING.



Vacation and Moving Care

- For long vacations or absences, empty food from refrigerator and freezer, move the temperature DIAL to the OFF position and clean the refrigerator and door gaskets according to "General cleaning" section. Prop doors open, so air can circulate inside. When moving always move the refrigerator vertically. Do not move with the unit lying down. Possible damage to the sealed system could occur.

Troubleshooting

Refrigerator does not operate:

- Check if thermostat control is not in the "0" position.
- Check if refrigerator is plugged in.
- Check if there is power at the AC outlet, by checking the circuit breaker.

Food temperature appears too warm:

- Frequent door openings.
- Allow time for recently added warm food to reach fresh food temperature.
- Check gaskets for proper seal.
- Adjust temperature control to colder setting.

Food temperature is too cold:

- If temperature control setting is too cold, adjust to a warmer setting and allow several hours for temperature to adjust.

Refrigerator runs too frequently:

- This may be normal to maintain constant temperature during high temperature and humid days.
- Doors may have been opened frequently or for an extended period of time.
- Check gasket for proper seal.
- Check to see if doors are completely closed.

Moisture build up on interior or exterior of the refrigerator:

- This is normal during high humidity periods.
- Prolonged or frequent door openings.
- Check door gaskets for proper seal.

Refrigerator has an odor:

- Interior needs cleaning.
- Foods improperly wrapped or sealed are giving off odors.

Refrigerator door does not shut properly:

- Level the refrigerator.
- Re-align refrigerator door.
- Check for blockages, e.g. food containers, crisper cover,shelves, bins, etc.

Popping or cracking sound when the compressor comes on:

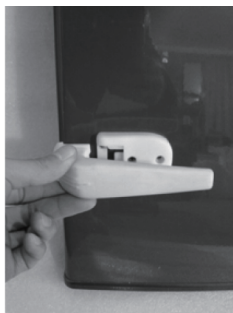
- Check to ensure the refrigerator is level.
- The floor may be uneven or weak. The refrigerator rocks on the floor when it is moved slightly. Be sure the floor can adequately support the refrigerator. Level the refrigerator by putting wood or metal shims under part of the refrigerator.
- The refrigerator is touching the wall. re-level the refrigerator and move it from the wall. See the “Installing Your Refrigerator” section.

Refrigerator light does not work

- Check power supply.
- Tighen bulb in socket.
- Replace burned out bulb.

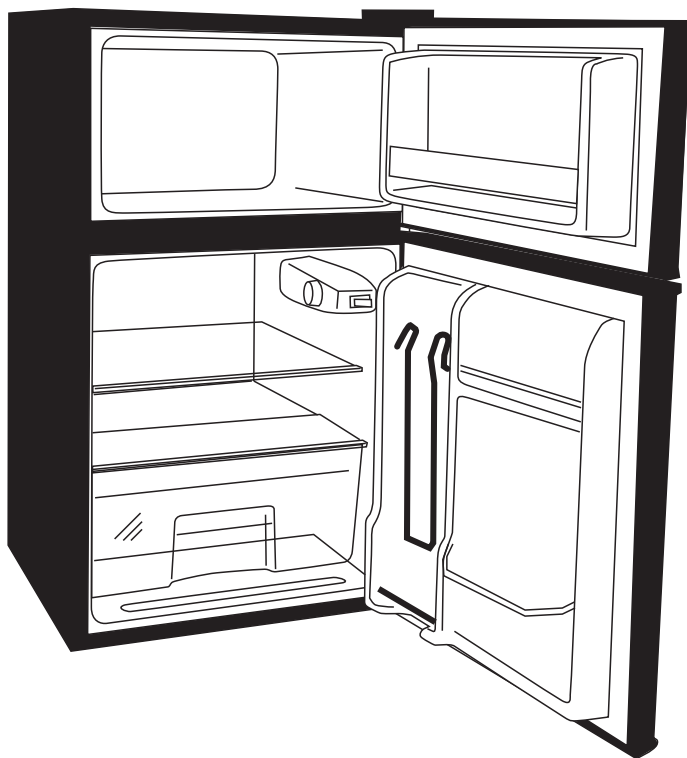
Handle install instruction

- 1.Take out the handle from the unit and remove the package.(two handle part and 4 screw)
- 2.Use screwdriver to fix the handle bottom on the door by four pcs screw.
- 3.Push the handle in horizontal and until the handle stuck on the bottom.
- 4.Push and pull the handle to make sure the handle is installed well.



FRIGIDAIRE

Réfrigérateur 3.2^{CU FT} / Congélateur 90^L



FRIGIDAIRE est une marque commerciale en attente ou enregistrée utilisée sous licence par
Electrolux Home Products, Inc.
Fabriqué En Chine
Pour obtenir assistance et information appelez: 1-800-968-9853.
Curtis International Ltd.
7045 BECKETT DRIVE, UNIT 15, MISSISSAUGA, ON, L5S 2A3 www.curtisint.com

Manuel de l'utilisateur

EFR840

CONSIGNES GÉNÉRALES DE SÉCURITÉ



ATTENTION: Lire l'ensemble des instructions avant d'utiliser l'appareil. Lors de l'utilisation de cet appareil, prendre toutes les mesures de sécurité de base, y compris les suivantes:

REMARQUE: Si le réfrigérateur a été placé en position horizontale ou en position inclinée, que ce soit pour longtemps ou non, attendez 24 heures avant de brancher l'appareil.

- 1) N'utiliser cet appareil que pour l'usage prévu, tel que décrit dans ce guide d'utilisation et d'entretien.
- 2) Ce réfrigérateur doit être correctement installé, conformément aux instructions d'installation avant d'être utilisé. Voir les instructions de mise à la terre dans la section Installation.
- 3) Ce réfrigérateur ne doit être ni encastré, ni enclos dans un placard. Il est uniquement conçu pour être installé tel qu'il se présente.
- 4) Ne jamais tirer sur le cordon d'alimentation pour débrancher le réfrigérateur. Toujours saisir fermement la fiche et la tirer tout droit hors de la prise.
- 5) **DANGER:** Risque d'incendie ou d'explosion due à la tuyauterie de réfrigérant de piqûre. Réfrigérant inflammable utilisé. N'utilisez pas les instruments en métal pour dégivrer le réfrigérateur. Ne perforez pas la tuyauterie réfrigérante.
- 6) Si un ancien réfrigérateur n'est pas utilisé, nous recommandons d'en retirer les portes afin de réduire le danger qu'il peut représenter pour les enfants.
- 7) **ATTENTION:** Une fois le réfrigérateur en fonctionnement, ne pas toucher les surfaces froides du congélateur, particulièrement avec des mains mouillées ou humides. La peau peut adhérer à ces surfaces extrêmement froides.



- 8) Ne pas recongeler les aliments qui ont été complètement décongelés. Le bulletin maisons et jardins du ministère de l'agriculture des États-Unis no. 69 stipule : « ..Les aliments congelés peuvent être recongelés en toute sécurité s'ils contiennent toujours des cristaux de glace ou si leur température est toujours inférieure à 4,5 °C (40 °F) ».

« ...Les viandes hachées, la volaille et le poisson présentant une odeur ou une couleur suspecte ne doivent être ni recongelés, ni mangés. La crème glacée dégelée doit être jetée. Tout aliment présentant une odeur ou couleur douteuse doit être jeté car son ingestion pourrait être dangereuse.»

« ...La décongélation ou la recongélation, même partielle réduit la qualité gustative des aliments, en particulier des fruits, légumes et plats préparés. La qualité gustative des viandes rouges est beaucoup moins affectée que celle de nombreux autres aliments. Utiliser les aliments recongelés dès que possible, afin de conserver un maximum de leur qualité gustative. »

- 9) Ne pas utiliser d'appareils électriques ou d'objets acérés pour dégivrer le réfrigérateur.
- 10) Débrancher le réfrigérateur avant de le nettoyer ou d'effectuer toute réparation. Remarque: si, pour une raison quelconque, ce produit devait être dépanné, nous recommandons vivement de confier le travail à un technicien certifié.
- 11) Ne pas utiliser le réfrigérateur en présence d'émanations explosives.

VEUILLEZ CONSERVER CES INSTRUCTIONS

**ATTENTION -
Risque d'incendie ou d'explosion**
Ayez la propriété selon des règlements fédéraux ou locaux.
Réfrigérant inflammable utilisé.

 **DANGER**

Les enfants pourraient se retrouver coincés dans votre réfrigérateur ou congélateur usagé avant que vous ne puissiez vous en débarrasser. Retirer les portes. Laisser les étagères en place de manière à ce que les enfants ne puissent pas grimper facilement à l'intérieur.

Agrafer le ticket de caisse au guide. **Il devra être présenté pour tout service après-vente sous garantie.**

TABLE OF CONTENTS

CONSIGNES GÉNÉRALES DE SECURITÉ	1
Parts And Features	5
Installation du Réfrigérateur	6
Déballage du Réfrigérateur	6
Mise à Niveau du Réfrigérateur	6
Circulation d'Air Adéquante	6
Caractéristiques Electriques	6
Alignement de la Porte	7
Caractéristiques du Réfrigérateur et Utilisati	8
Cadran de température réglable:	8
Clayettes Intérieures	8
Distributeur de Boîtes Dispense-A-Can	8
Bac à légumes	8
Dégivrer votre réfrigérateur	9
Aliments Frais	10
Bruits de fonctionnement normal que vous pouvez entendre	11
Nettoyage et Maintenance	11
Nettoyage et Maintenance	11
Remplacement de l'ampoule	12
Coupures de Courant	12
Vacances et Déménagement	13
Dépannage	14



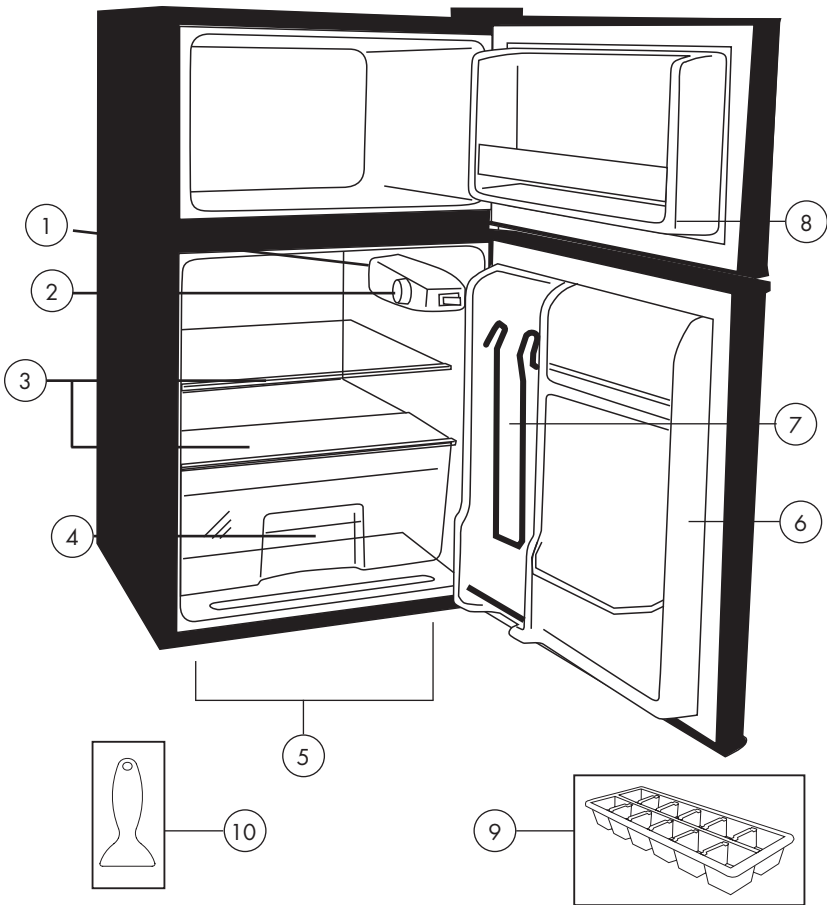
DANGER - Risque d'incendie ou d'explosion. Réfrigérant inflammable utilisé. Pour être réparé que par un personnel de maintenance qualifié. Ne pas percer réfrigérant Tubing

ATTENTION - Risque d'incendie ou d'explosion. Réfrigérant inflammable utilisé. Consultez manuel / guide de l'utilisateur de réparation avant de tenter de réparer ce produit. Toutes les précautions de sé curité doivent être respectées

ATTENTION - Risque d'incendie ou d'explosion. Aliéner des biens conformément à la réglementation fédérales ou locales. Réfrigérant inflammable utilisé

ATTENTION - Risque d'incendie ou une explosion due à la perforation de tuyaux de réfrigérant; suivre les instructions de manipulation avec précaution. Réfrigérant inflammable utilisé

Pièces et Caractéristiques



- 1. Lumière intérieure
- 2. Contrôle de température
- 3. Étagères de réfrigérateur
- 4. Pac à légumes
- 5. Jambes de mise à niveau avant

- 6. Étagères de porte de réfrigérateur
- 7. "Dispense-A-Can" Mémoire
- 8. Étagère de porte de congélateur
- 9. Bac à glaçons
- 10. Racleur de glace

Installation du Réfrigérateur

Désemballage du Réfrigérateur

1. Retirer l'ensemble du matériel d'emballage. Ceci comprend la base en mousse ainsi que l'ensemble du matériel adhésif qui maintient les accessoires du réfrigérateur à l'intérieur tout comme à l'extérieur.
2. Inspecter et enlever tout restant d'emballage, de scotch ou de matériaux imprimés avant de brancher le réfrigérateur.

ATTENTION

Risque d'incendie ou d'explosion due à la tuyauterie de réfrigérant de piqûre. Réfrigérant inflammable utilisé. Manipulez avec soin quand réfrigérateur mobile pour éviter d'endommager la tuyauterie réfrigérante ou d'augmenter le risque d'une fuite.

Mise à Niveau du Réfrigérateur

- Your refrigerator has two leveling legs which are located in the front bottom corners of your refrigerator. After properly placing your refrigerator in its final position, you can level your refrigerator.
- Leveling legs can be adjusted by turning them counterclockwise to raise your refrigerator or by turning them clockwise to lower your refrigerator. The refrigerator door will close easier when the leveling legs are extended.

Circulation d'Air Adéquate

- Pour être sûr que le réfrigérateur fonctionne à son maximum d'efficacité, l'installer dans un environnement favorable à une bonne circulation d'air et possédant des connexions de plomberie et d'électricité saines.
- Les indications suivantes concernent l'espace recommandé autour du réfrigérateur:

Latéralement.....	19mm (3/4")
Partie supérieure.....	50mm (2")
Arrière.....	50 mm (2")

ATTENTION: EXIGENCES ÉLECTRIQUES – RISQUE DE CHOC ÉLECTRIQUE

Caractéristiques Electriques

- Pour l'alimentation du réfrigérateur, veiller à utiliser une prise de courant convenable (prise de 120 volts, 15 amp) raccordée à la terre.
- Eviter d'utiliser des adaptateurs à trois fiches ou de sectionner la troisième fiche reliée à la terre dans le but d'utiliser un branchement à deux fiches. Cette pratique pourrait s'avérer dangereuse dans la mesure où le réfrigérateur n'est pas relié convenablement à la terre, et risquerait de causer des risques d'électrocution.



ATTENTION: UTILISATION DE RALLONGES – RISQUE DE DANGER POTENTIEL

Utilisation de Rallonges

- Éviter d'utiliser une rallonge électrique car, dans certains cas, cela peut entraîner des risques pour la santé. S'il est nécessaire d'utiliser une rallonge, utiliser uniquement une rallonge possédant une fiche male à deux broches plus terre à une extrémité et une prise femelle de même type à l'autre extrémité. La capacité électrique de la rallonge doit être égale ou supérieure à la capacité de l'appareil.
- N'UTILISEZ PAS DE RALLONGES D'UNE LONGUEUR SUPÉRIEURE À 12 PIEDS/3,65 MÈTRES.**

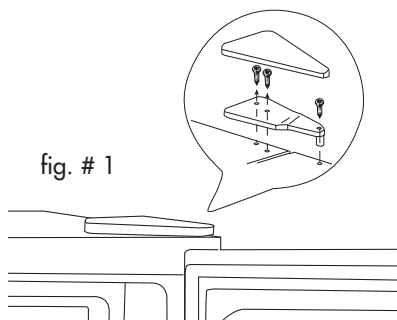
Limitations relatives à l'Installation

- Ne pas installer le réfrigérateur dans un endroit qui n'est pas convenablement isolé ou chauffé; comme par exemple un garage, etc. Le réfrigérateur n'est pas conçu pour fonctionner à des températures inférieures à 12°C.
- Choisir un endroit convenable et placer le réfrigérateur sur une surface solide et plane, loin de sources de chaleur telles que: les radiateurs, les éléments chauffants à plinthes, les cuisinières, etc. Toute irrégularité au sol doit être corrigée à l'aide des pieds de mise à niveau situés sur les coins avant de la partie inférieure du réfrigérateur.

Alignement de la porte

Porte du congélateur : (Voir figure 1)

1. Retirez le cache-charnière supérieur.
2. À l'aide d'un tournevis Phillips desserrez et retirez les vis d'attache de la charnière supérieure.
3. Ajustez la porte ou placez un espaceur au milieu et serrez ensuite les vis.
4. Remplacez le cache-charnière supérieur.



Caractéristiques du Réfrigérateur et Utilisati

Cadran de température réglable:

Le réfrigérateur demeurera automatiquement à la température que vous avez sélectionnée. La commande de température possède 7 positions de réglage ainsi que la position «0» (arrêt). La position «1» est la position la moins froide, «7» est la position la plus froide. Réglez la commande sur «0» afin d'arrêter le processus de refroidissement pour le réfrigérateur et le congélateur. Tout d'abord, réglez la commande sur «6» et patientez 24 heures avant de régler la commande sur la température que vous désirez.

(Remarque: Si le réfrigérateur a été placé à l'horizontale pendant une période de temps quelconque, attendre 24 heures avant de le brancher.)

Clayettes Intérieures

Pour retirer ou replacer les clayettes amovibles:

(voir fig. # 2)

1. Penchez légèrement la clayette vers le haut et glissez-la vers l'avant jusqu'à ce que la clayette ait été complètement retirée.
2. Pour replacer la clayette, glissez-la doucement.

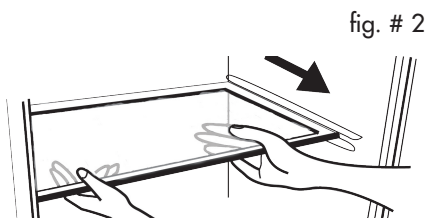


fig. # 2

Distributeur de Boîtes Dispense-A-Can

fig. # 3

- Votre réfrigérateur est équipé d'un compartiment «Dispense-A-Can». Chaque compartiment peut accueillir jusqu'à quatre boîtes de boissons diverses. Il vous suffit de ranger les boîtes à partir du haut. Pour sortir une boîte, servez-vous à partir du bas. Le dispositif est d'une grande simplicité.

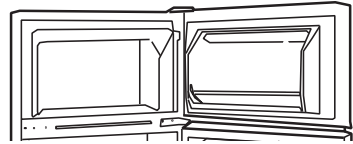


Bac à légumes

- Votre réfrigérateur possède un bac à légumes transparent. Saisissez le haut du bac à légumes et faites-le délicatement glisser vers l'extérieur. Poussez pour le remettre en place.

Dégivrer votre réfrigérateur

- Pour un rendement énergétique maximum, dégivrez le compartiment congélateur lorsque le givre recouvre $\frac{1}{4}$ ou plus de la surface des parois. Notez que le givre s'accumule le plus pendant les mois d'été.



DANGER - Risque d'incendie ou d'explosion due à la tuyauterie de réfrigérant de piqûre. Réfrigérant inflammable utilisé. N'utilisez pas les instruments en métal pour dégivrer le réfrigérateur. Ne perforez pas la tuyauterie réfrigérante.

- Pour dégivrer le compartiment congélateur retirez tous les aliments et les bacs à glaçons de la section congélateur. Mettez le bouton de commande de la température sur "0". Le dégivrage peut durer quelques heures. Afin d'accélérer le processus laissez la porte ouverte et placez un bol d'eau chaude dans le congélateur.
- Pendant le dégivrage de l'eau va s'accumuler. Utilisez une serviette pour retirer l'excès d'eau. Ne laissez pas le congélateur sans surveillance.
- Après le dégivrage, videz et séchez l'intérieur du congélateur. Vous pouvez maintenant remettre votre réfrigérateur à la température désirée et remettez les aliments en place.
- Pour votre convenance, votre congélateur est équipé d'un grattoir.

Maintenance

Risque d'incendie ou d'explosion. Réfrigérant inflammable utilisé. Ne perforez pas la tuyauterie réfrigérante. Pour être réparé seulement par le personnel autorisé qualifié de service. Consultez le manuel de réparation avant d'essayer d'entretenir ce produit. Toutes les mesures de sécurité doivent être suivies. Des éléments seront remplacés par les composants similaires pour réduire au minimum le risque d'allumage possible dû aux pièces incorrectes ou au service inexact.

Informations sur le Rangement des Aliments

Aliments frais

- Lorsque vous placez des aliments frais n'ayant pas été pré-emballés, assurez-vous que ces derniers sont correctement emballés ou placés dans des contenants hermétiques à l'épreuve de l'humidité et de l'air. Vous parviendrez ainsi à conserver vos aliments plus longtemps sans altération de goût ni d'odeur.
- Essuyez les contenants avant de les placer au réfrigérateur afin d'éviter de les renverser.
- Les oeufs doivent être rangés debout dans leurs carton d'origine afin d'assurer leur pérennité.
- Les fruits doivent être lavés, séchés puis placés dans des sacs en plastique avant de les ranger au réfrigérateur.
- Les légumes non pelés doivent être placés dans des sacs en plastique ou tout autre contenant.
- Les légumes à feuilles doivent être lavés et égouttés avant d'être placés dans des sacs en plastique ou tout autre contenant.
- Laissez les aliments chauds refroidir avant de les placer au réfrigérateur, vous ferez ainsi des économies d'énergie.
- Le poisson et les fruits de mer doivent être consommés le jour même de leur achat.
- Lorsque vous conservez de la viande dans le compartiment destinés aux aliments frais, veillez à conserver cette dernière dans son emballage d'origine ou emballez-la à nouveau si nécessaire. Suivez les conseils suivants:

• Poulet	1 à 2 jours
• Boeuf haché	1 à 2 jours
• Charcuterie	3 à 5 jours
• Steaks/rôtis	3 à 5 jours
• Viandes fumées/salaisonées	7 à 10 jours

Pour un tableau détaillé de l'entreposage visitez le site de la FDA:
www.cfsan.fda.gov/~dms/fttstore.html

Aliments congelés:

- **Essuyer les contenants avant de ranger pour éviter les dégâts.**
- Les aliments chauds devraient être refroidi avant d'être mis au congélateur pour éviter une consommation excessive d'énergie.
- Lors du rangement de viandes, garder l'emballage original ou remballer au besoin.
- Le rangement au congélateur requiert un emballage adéquat. Tout aliment doit être emballé de manière à empêcher les échanges d'air ou d'humidité. Un rangement inadéquat peut entraîner le transfert d'odeurs ou de goût, ainsi que l'assèchement des aliments mal-emballés.
- Bien suivre les instructions d'emballage pour le rangement adéquat.
- Recommandations d'emballage:
 - Contenants de plastique avec couvercle étanche
 - Papier d'aluminium
 - Pellicule plastique faite de saran
 - Sacs de plastique à fermeture
- Ne pas recongeler les aliments dégelés.
- On recommande d'écrire la date de congélation sur l'emballage.

Voici quelques suggestions de rangement adéquat :

- | | |
|---|-----------|
| • Plateau-repas (TV dinner) | 3-4 mois |
| • Crevettes, petoncles, écrevisse frais | 3-6 mois |
| • Bœuf haché & viandes à ragoût | 3-4 mois |
| • Dinde, veau, porc haché | 3-4 mois |
| • Côtelettes | 4-6 mois |
| • Steaks | 6-12 mois |
| • Dinde ou poulet entière | 1 an |

Pour un tableau détaillé de rangement, rendez-vous sur le site web de la FDA:
www.fda.gov

Bruits de fonctionnement normal que vous pouvez entendre

- Eau bouillante, gargouillis ou vibrations légères résultent de la circulation du réfrigérant à travers les bobines de refroidissement.
- Le bruit du « click » de la commande du thermostat quand il s'allume et s'éteint.

Entretien e Nettoyage Adéquats du Réfrigérateur Nettoyage et Entretien

Nettoyage et Maintenance

ATTENTION: Pour éviter les risques d'électrocution; toujours débrancher le réfrigérateur avant de le nettoyer. Le non respect de cette mesure peut entraîner des blessures graves ou mortelles.



PRÉCAUTIONS: Avant d'avoir recours à des produits d'entretien, toujours consulter et suivre les instructions du fabricant et recommandations afin d'éviter toute blessure éventuelle et risque de dégât de matériel.



Généralités:

- Préparer une solution de nettoyage comportant 3 à 4 cuillerées à soupe de bicarbonate de soda mélangé à de l'eau chaude. A l'aide d'une éponge ou un tissu doux humectés de solution de nettoyage; essuyer le réfrigérateur.
- Rincer à l'eau chaude et sécher à l'aide d'un tissu doux.
- Ne pas utiliser de détergents chimiques, abrasifs, ou contenant de l'ammoniaque ou du chlore, ni de solvants ou de tampons à récurer en métal. Certains de ces produits chimiques peuvent dissoudre, endommager et/ou décolorer le réfrigérateur.

Joints de porte: Nettoyer les joints de porte tous les trois mois en suivant les instructions générales fournies. Les joints doivent rester propres et flexibles afin d'assurer une bonne étanchéité.

- Une fine couche de gelée de pétrole appliquée sur le côté des joints comportant les charnières permet de préserver la flexibilité de ces derniers et d'assurer une bonne étanchéité.

Remplacement de l'ampoule

1. Eteignez le réfrigérateur.
2. Tirez légèrement sur le cache-ampoule transparent.
3. Remplacez avec le même type d'ampoule à 10 watts.
4. Remettez le cache-ampoule transparent en place.

Coups de Courant

- Des pannes d'alimentation occasionnelles peuvent survenir à cause d'une tempête ou de causes autres. Retirez le cordon d'alimentation de la prise CA pendant toute la durée de la coupure d'alimentation. Lorsque le courant électrique est rétabli, rebrancher le cordon dans la prise CA. Si la coupure d'alimentation se prolonge, vérifier et jeter les aliments avariés ou décongelés se trouvant dans le congélateur et le réfrigérateur. Nettoyer le réfrigérateur avant de le réutiliser.

ATTENTION: SI LA COUPURE DE COURANT DURE POUR UNE PÉRIODE PROLONGÉE, INSPECTEZ ET JETEZ LES ALIMENTS AVARIÉS OU DÉCONGELÉS QUI SONT DANS LE CONGÉLATEUR ET LE RÉFRIGÉRATEUR. NETTOYEZ LE RÉFRIGÉRATEUR AVANT DE LE RÉUTILISER.



Vacances et Déménagement

- Pendant les périodes de vacances ou d'absence prolongée, vider le réfrigérateur et le congélateur, placer le **cadran** de température sur la position **off** (arrêt) et nettoyer le réfrigérateur ainsi que les joints de porte en suivant les procédures du chapitre intitulé «Nettoyage Général». Faire en sorte que la porte reste ouverte de manière à ce que l'air puisse circuler à l'intérieur. Toujours déplacer le réfrigérateur en position verticale. Ne pas déplacer l'appareil en position horizontale. Ceci pourrait endommager le système d'étanchéité.

Poignée installation

1. Retirez la poignée de l'appareil et retirez le sachet. (deux poignées de part et 4 vis)
2. utiliser le tournevis pour fixer le bas de la poignée sur la porte par quatre vis de pcs.
3. Poussez la poignée en horizontal et jusqu'à ce que le Manche collé sur le fond.
4. Poussez et tirez le levier pour s'assurer que la poignée est bien installée.



Dépannage

Le Réfrigérateur ne fonctionne pas:

- Vérifier que le programmeur du thermostat ne se trouve pas sur la position «0».
- Veiller à ce que le réfrigérateur soit bien branché.
- Veiller à ce que la prise de courant CA fonctionne bien en vérifiant le disjoncteur.

La température des aliments semble être trop élevée:

- La porte est ouverte trop fréquemment.
- Patienter le temps nécessaire pour que les aliments chauds récemment mis au frais refroidissent.
- Vérifier l'étanchéité des joints.
- Régler le programmeur de température sur froid.

La température des aliments est trop basse:

- Si le programmeur de température est placé sur une position trop froide, le régler sur une position plus chaude et patienter plusieurs heures, jusqu'à ce que la température se soit ajustée.

Le réfrigérateur se met en marche trop fréquemment:

- Il peut s'agir de l'activité normale pour maintenir une température constante lorsque la température extérieure ou le taux d'humidité dans l'air sont élevés.
- Les portes ont été ouvertes trop fréquemment ou pendant une période de temps prolongée.
- Vérifier l'étanchéité des joints.
- Veiller à ce que les portes soient bien fermées.

Accumulation d'humidité à l'intérieur ou à l'extérieur du réfrigérateur:

- Ceci est normal pendant les périodes de grande chaleur humide.
- Ouvertures de la porte prolongée ou trop fréquente.
- Vérifier l'étanchéité des joints.

L'intérieur du réfrigérateur dégage une odeur:

- Nettoyer l'intérieur du réfrigérateur.
- Les aliments ne sont pas convenablement enveloppés ou les emballages dégagent une odeur.

La porte du réfrigérateur/congélateur ne ferme pas correctement:

- Mettre le réfrigérateur à niveau.
- Réaligner la porte du réfrigérateur/congélateur.
- Vérifier qu'il n'y ait pas d'obstruction comme par exemple des containers ou les couvercles des bacs, les étagères, paniers, etc.