

ODDICT

PLATFORM DUO



# PLATFORM DUO

Super Fast Wireless Charging (Max 15W) for SAMSUNG

Thank you for purchasing the ODDICT PLATFORM DUO.  
Please follow the directions and read the guidelines carefully before use.

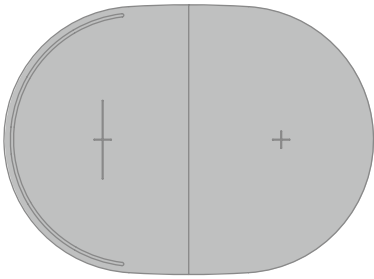
- We recommend keeping the owner's guide for future reference.
- The specifications are subject to change without prior notice for quality improvement.
- Before connecting and using the product with another device, check if the device is compatible with the product.



## Table of Contents

1. Package Contents
2. Getting Started
3. Usage Instructions
4. Safety Precautions
5. Specifications
6. Compliance Information

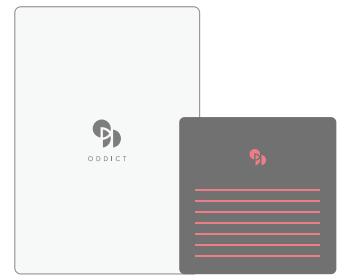
## 1. Package Contents



Wireless Charging Pad



1.5 m (4.9 ft) USB-C to USB-C Cable

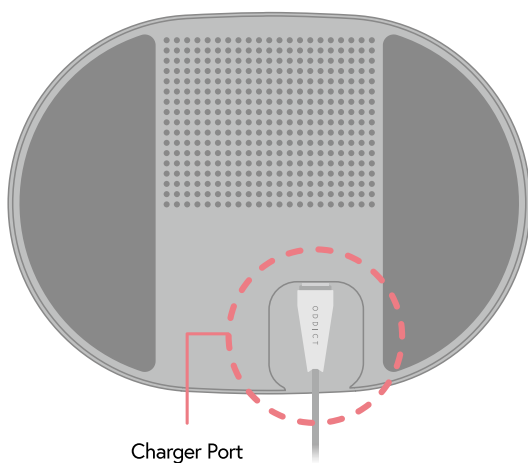


Quick Guide / Warranty Card

## 2. Getting Started

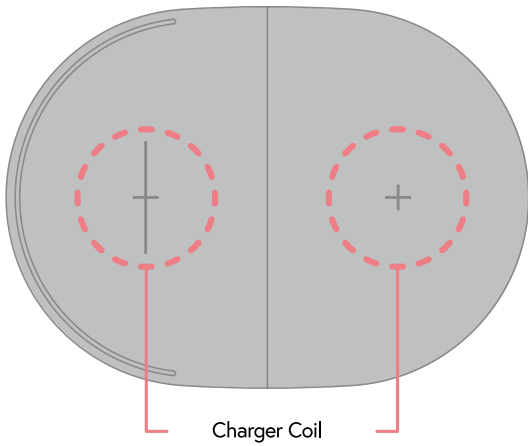
1) Connect the PLATFORM DUO to the power adapter with the provided charging cable.

When properly connected, the status indicator located on the front will blink red → green → orange lights and turn off.

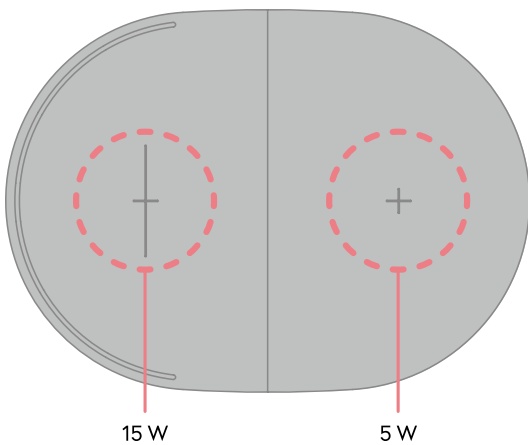


※ Not compatible with chargers that do not support SFC (Super-Fast Charging). To use the 15W super-fast wireless charging 2.0 feature, you must use a SFC charger or a 25W or higher PD (Power Delivery) charger. If a PD of AFC charger of less than 25W is used, the PLATFORM DUO will not operate properly.

2) Place compatible devices on the charging area marked with (+) to start wireless charging.

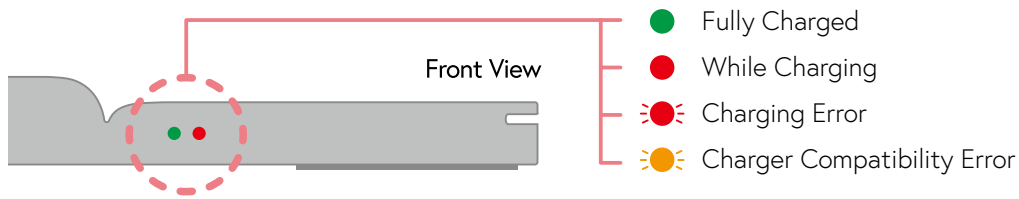


3) The left pad supports 15W super-fast wireless charging and the right pad works with all devices (i.e. smartphone or wireless earphones) that support 5W wireless charging.



- ※ Charging speed may vary by device.
- ※ Actual charging speed may vary depending on usage, charging conditions and other factors.
- ※ Supports up to 7.5W fast charging to compatible Apple devices.

4) The LED light indicate the charging status.



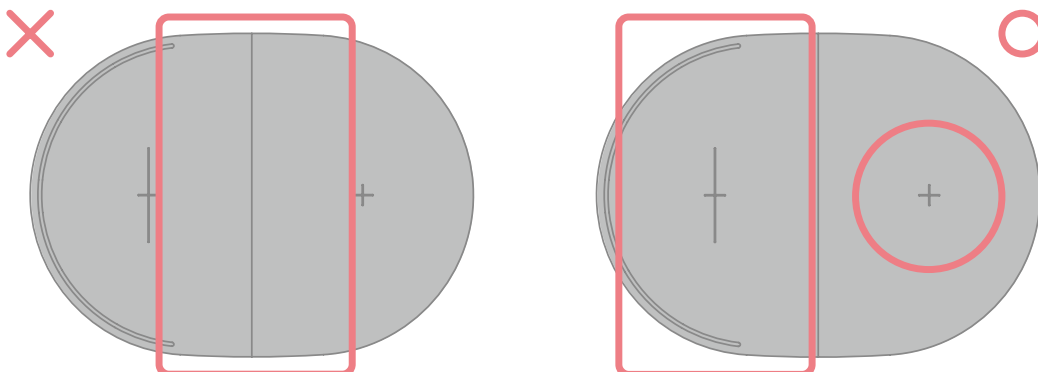
LED	Status
Blinks Red-Green-Orange consecutively	Initial Power-on
Red	While Charging
Green	Fully Charged
Red Blinks	When Foreign Material (Metal) Is Detected Input Power Error (Low Voltage, Overvoltage)
Orange Blinks	Charger Compatibility Error
Off	On Standby

※ Reconnect the charging cable when status indicator isn't working correctly.

※ Depending on the device (or accessory/case), the status lights may appear differently.

### 3. Usage Instructions

- 1) If the device isn't charging or stops charging, check if it's placed correctly on the charging area marked with (+).
- 2) For dual high-speed charging, PD adapters of 25W or higher is recommended.
- 3) Some thicker or metal phone cases may hinder wireless charging.



## 4. Safety Precautions

Precautions are to prevent unexpected accidents or dangers in advance by using the product safely and correctly, so please make sure to read and follow them.

- 1) This is an indoor-only product suitable for home and office use.
- 2) Do not disassemble, adjust, or repair the product arbitrarily.
- 3) Do not heat or place the product in high temperature.
- 4) Keep in dry place away from water or moisture.
- 5) Do not drop or hit the product.
- 6) Do not place or store on a slope.
- 7) Do not leave the fully charged device on the charging pad for a long time.
- 8) Do not touch the product with wet hands.
- 9) Turn off the power when not in use.
- 10) Do not place ID or bank card with magnetic strips or chips on the charging pad.
- 11) Due to risk of short circuit and fire, do not disassemble the product and c-type cable. Keep away from water and fire.
- 12) Do not place the product next to any medical or industrial equipment.
- 13) Use a safety certified 25W or higher PD charger. Uncertified chargers may cause malfunction or damage.
- 14) Do not use the product for any purpose other than its intended purpose.

## 5. Specification

- Model: PLATFORM DUO
- Input: 9.0 V  $\approx$  2.77 A (PD 25 W Over TA)
- Output Coil 1: 5 W / 7.5 W / 10 W / 15 W
- Output Coil 2: 5 W
- Dimensions (Cable Not Included): 173.0 x 126.3 x 19.7 mm (6.81 x 4.97 x 0.78 in)
- Color: Black
- Weight (Cable Not Included): 186 g (6.56 oz)
- Cable Length: 1.5 m (4.9 ft)

## 6. Compliance Information

FCC Compliance Information

FCC ID: V2R-PLATFORMDUO

This device complies with Part 15 of FCC Rules.

Operation is subject to the following two conditions:

(1) This device may not cause harmful interference, and (2) this device must accept any interference received, including interference that may cause undesired operation.

#### USER CAUTION:

Changes or modifications not expressly approved by the party responsible for compliance could void the user's authority to operate the equipment.

#### IC Compliance Information

IC: 10488A-PLATFORMDUO

This device complies with Industry Canada's licence-exempt RSSs.

Operation is subject to the following two conditions:

- (1) This device may not cause interference; and
- (2) This device must accept any interference, including interference that may cause undesired operation of the device.

This equipment complies with IC radiation exposure limits set forth for an uncontrolled environment and meets RSS-102 of the IC radio frequency (RF) Exposure rules. This equipment complies with FCC radiation exposure limits set forth for an uncontrolled environment and meets the FCC radio frequency (RF) Exposure Guidelines. This equipment has very low levels of RF energy that is deemed to comply without testing of specific absorption rate (SAR).

Pour la clientèle au Canada

L'émetteur/récepteur exempt de licence contenu dans le présent appareil est conforme aux CNR d'Innovation, Sciences et Développement

économique Canada applicables aux deux conditions suivantes:

- 1) l'appareil ne doit pas produire de brouillage;
- 2) l'utilisateur de l'appareil doit accepter tout brouillage radioélectrique subi, même si le brouillage est susceptible d'en compromettre le fonctionnement

PLATFORM DUO a été testé et jugé conforme aux limites d'exposition aux rayonnements ISDE énoncées pour un environnement non contrôlé et respecte les règles d'exposition aux fréquences radioélectriques (RF) CNR-102 de l'ISDE.

#### CE Compliance Information

ODDICT, hereby declares that this PLATFORM DUO is in compliance with the essential requirements and other relevant provisions of Directive 2014/53/EU and the UK Radio Equipment Regulation 2017.



"Designed for Samsung" is granted to third party manufacturers to design and produce Samsung Electronics Co., Ltd compatible accessories.

Samsung Electronics Co., Ltd is not responsible for the design, manufacturer, quality of this accessory, for its operation, or its compliance with safety and regulatory standards.

Please contact the accessory manufacturer for any questions regarding the accessory.



ODDICT

To learn more, visit our website,

[oddictofficial.com](http://oddictofficial.com)

Designed & Engineered in KOREA

5 Gangnam-daero 107-gil, Seocho-gu, Seoul, Korea (06524)