



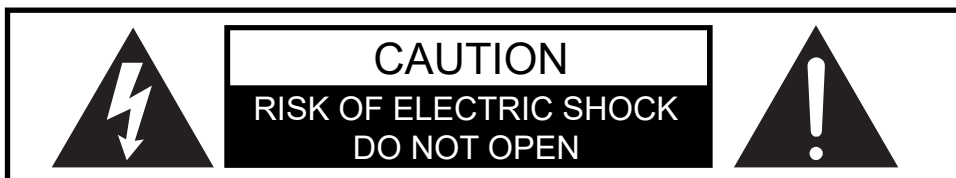
32" Bluetooth® Soundbar



MODEL: EHS-2000

PLEASE READ CAREFULLY BEFORE OPERATING THIS EQUIPMENT
KEEP IT IN A SAFE PLACE FOR FUTURE REFERENCE

IMPORTANT SAFETY INSTRUCTIONS



CAUTION: TO REDUCE THE ELECTRIC SHOCK, DO NOT REMOVE THE COVER (OR BACK). NO USER SERVICEABLE PART INSIDE, REFER SERVICING TO QUALIFIED SERVICE PERSONNEL.



DANGEROUS VOLTAGE: The lighting flash with arrowhead symbol within an equilateral triangle is intended to alert the user to the presence of uninsulated "dangerous voltage" within the product's enclosure that may be of sufficient magnitude to constitute a risk of electric shock to persons.



ATTENTION: The exclamation point within an equilateral triangle is intended to alert the user to the presence of important operating and maintenance (servicing) instructions in the literature accompanying the appliance.

WARNING: TO PREVENT FIRE OR SHOCK HAZARD, DO NOT EXPOSE THIS UNIT TO RAIN OR MOISTURE.

WARNING: USE UNDER SUPERVISION OF AN ADULT DUE TO LONG CORD

This unit has a long cord that can be easily tripped on or pulled on, causing injury. Please make sure it is arranged so that it will not drape over a tabletop, etc. where it can be pulled on by children or tripped over accidentally.

FCC NOTICE:

This equipment has been tested and found to comply with the limits for a Class B digital device, pursuant to Part 15 of the FCC Rules. These limits are designed to provide reasonable protection against harmful interference in a residential installation. This equipment generates, uses and can radiate radio frequency energy and, if not installed and used in accordance with the instructions, may cause harmful interference to radio communications. However, there is no guarantee that interference will not occur in a particular installation. If this equipment does cause harmful interference to radio or television reception, which can be determined by turning the equipment off and on, the user is encouraged to try to correct the interference by one or more of the following measures:

- Reorient or relocate the receiving antenna.
- Increase the separation between the equipment and receiver.
- Connect the equipment into an outlet on a circuit different from that to which the receiver is connected.
- Consult the dealer or an experienced radio/TV technician for help.

FCC STATEMENT:

This device complies with part 15 of the FCC Rules. Operation is subject to the following two conditions:

- (1) This device may not cause harmful interference, and
- (2) This device must accept any interference received, including interference that may cause undesired operation. The antenna(s) used for this transmitter must be installed to provide a separation distance of at least 20 cm from all persons and must not be co-located or operating in conjunction with any other antenna or transmitter.

FCC WARNING:

To assure continued operation, follow the attached installation instructions and use only shield cables when connecting to other devices. Changes or modifications not expressly approved by the party responsible for compliance could void the user's authority to operate the equipment.



WARNING:

Cancer and Reproductive Harm-www.P65Warnings.ca.gov

IMPORTANT SAFETY INSTRUCTIONS

Before using the unit, be sure to read all operating instruction carefully, please note that these are general precautions and may not pertain to your unit. For example, this unit may not have the capability to be connected to an outdoor antenna.

- (1) **Read these instructions**
All the safety and operating instructions should be read before the appliance is operated.
- (2) **Keep these instructions**
The safety and operating instructions should be kept for future reference.
- (3) **Heed all warnings**
All warnings on the appliance and in the operating instructions should be adhered to.
- (4) **Follow all instructions**
All operation and use instructions should be followed.
- (5) **Do not use this apparatus near water**
The appliance should not be used near water; for example, near a bath tub, washbowl, kitchen sink, laundry tub, in a wet basement, or near a swimming pool.

(6) Clean only with dry cloth

The appliance should be cleaned only as recommended by the manufacturer.

(7) Do not block any ventilation openings. Install in accordance with the manufacturer's instructions.

Slots and openings in the cabinet and in the back or bottom are provided for ventilation, to ensure reliable operation of the product and to protect it from overheating. These openings must not be blocked or covered. The openings should never be blocked by placing the product on a bed, sofa, rug, or similar surface. This product should never be placed near or over a radiator or heat source. This product should not be placed in a built-in installation, such as a bookcase or rack unless proper ventilation is provided or the manufacturer's instructions have been adhered to.

(8) Do not install near any heat sources such as radiators, heat registers, stoves, or other apparatus (including amplifiers) that produce heat.

(9) Do not defeat the safety purpose of the polarized or grounding-type plug. A polarized plug has two blades with one wider than the other. A grounding type plug has two blades and a third grounding prong. The wide or the third prong is provided for your safety. If the provided plug does not fit into your outlet, consult an electrician for replacement of the obsolete outlet.

(10) Product the power cord from being walked on or pinched particularly at plugs, convenience receptacles, and the point where they exit from the apparatus.

(11) Only use attachments / accessories specified by the manufacturer.

(12) Use only with a cart, stand, tripod, bracket, or table specified by the manufacturer, or sold with the apparatus. When a cart is used, use caution when moving the cart/apparatus combination to avoid injury from tip-over.



An appliance and cart combination should be moved with care. Quick stop, excessive force and uneven surfaces may cause the appliance and cart combination to overturn.

(13) Unplug this apparatus during lightning storms or when unused for long periods of time.

To protect your product from a lightning storm, or when it is left unattended and unused for long periods of time, unplug it from the wall outlet and disconnect the antenna or cable system. This will prevent damage to the product due to lightning and power-line surges.

(14) Refer all servicing to qualified service personnel. Servicing is required when the apparatus has been damaged in any way, such as power-supply cord or plug is damaged, liquid has been spilled or objects have fallen into the apparatus, the apparatus has been exposed to rain or moisture, does not operate normally, or has been dropped.

(15) Power source

This product should be operated only from the type of power source indicated on the marking label. If you are not sure of the type of power supply to your home, consult your appliance dealer or local power company. For products intended to operate from battery power, or other source, refer to the operation instructions.

(16) Power lines

An outside antenna system should not be located in the vicinity of overhead power lines or other electric light or power circuits, or where it can fall into such power lines or circuits. When installing an outside antenna system, extreme care should be taken to keep from touching such power lines or circuits as contact with them might be fatal.

(17) Overloading

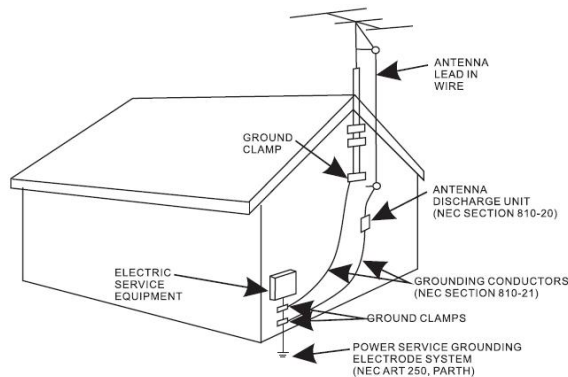
Do not overload wall outlets and extension cords as this can result in a risk of fire or electric shock.

(18) Object and liquid entry

Never push objects of any kind into the product through openings as they may touch dangerous voltage points or short out parts that could result in fire or electric shock. Never spill or spray any type of liquid on the product.

(19) Outdoor antenna grounding

If an outside antenna is connected to the product, be sure the antenna system is grounded so as to provide some protection against voltage surges and built up static charges. Section 810 of the National Electric Code ANSI/ NFPA 70 provides information with respect to proper grounding of the mast and supporting structure, grounding of the lead-in wire to an antenna discharge product, size of grounding conductors, location of antenna-discharge product, connection to grounding electrodes and requirements for the grounding electrodes.



(20) Service

Do not attempt to service this product yourself as opening or removing covers may expose you to dangerous voltage or other hazards. Refer all servicing to qualified service personnel.

(21) Replacement parts

When replacement parts are required, be sure the service technician uses replacement parts specified by the manufacturer or those that have the same characteristics as the original parts. Unauthorized substitutions may result in fire or electric shock or other hazards.

(22) Safety check

Upon completion of any service or repairs to this product, ask the service technician to perform safety checks to determine that the product is in proper operating condition.

(23) Wall or ceiling mounting

The product should be mounted to a wall or ceiling only as recommended by the manufacturer.

(24) Damage requiring service

Unplug this product from the wall outlet and refer service to qualified service personnel under the following conditions.

- a) When the power- supply cord or plug is damaged.
- b) If liquid has been spilled or objects have fallen into the product.
- c) If the product has been exposed to rain or water.
- d) If the product does not operate normally by following the operating instructions. Adjust only those controls that are covered by the operating instructions, as an adjustment of other controls may result in damage and will require extensive work by a qualified technician to restore the product to its normal operation.
- e) If the product has been dropped or the cabinet has been damaged.
- f) When the product exhibits a distinct change in performance- this indicates a need for service.

(25) Note to CATV system installer

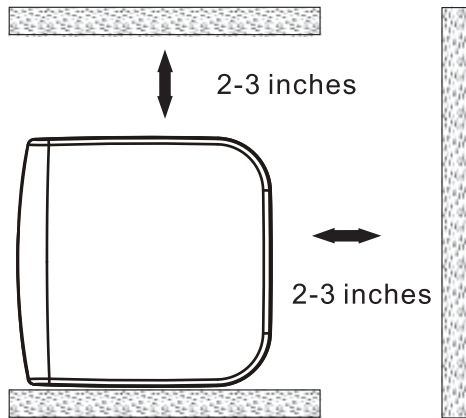
This reminder is provided to call the CATV system installer' s attention to Article 820- 40 of the NEC that provides guidelines for proper grounding and, in particular, specifies that the cable ground shall be connected to the grounding system of the building, as close to the point of cable entry as practical.

NOTE: Refer all servicing to qualified service personnel. Servicing is required when the unit has been damaged in any way such as the following: the power-supply cord or plug has been damaged, liquid has been spilled into unit, the unit has been exposed to rain or moisture, the unit has been dropped or the unit does not operate normally.

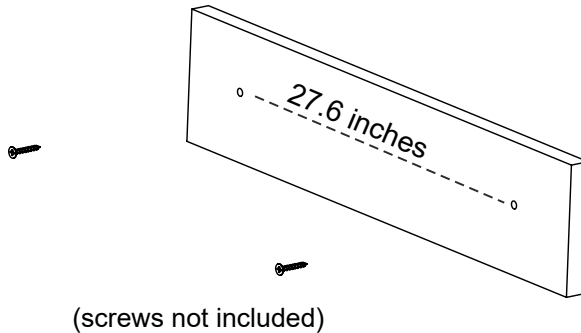
PLACEMENT AND MOUNTING

1. Placing the device on table - Ventilation

When placing the Sound Bar on an entertainment center, bookshelf, or any type of enclosed space, be sure to allow at least 2-3 inches of space around the Sound Bar for ventilation. If the Sound Bar is enclosed in a tight space, without ventilation, heat generated from the Sound Bar could produce a potential heat hazard.

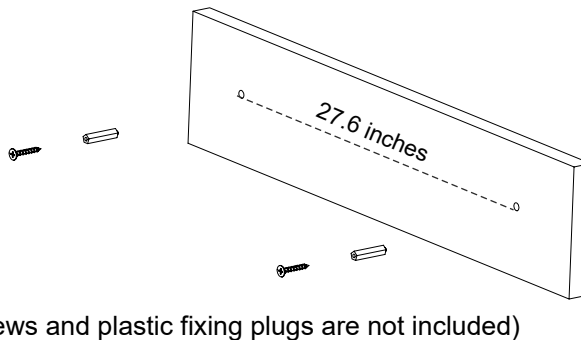


2.1 Mounting to a wooden wall



- A. Mark the position of the mounting screws on the wall using a pencil.
- B. Drill the screws directly into the marks that you have made on the wall and leave approx. 0.3 inches length to hook the sound bar.
- C. Put the sound bar onto the mounting screws. Make sure they are firm and stable.

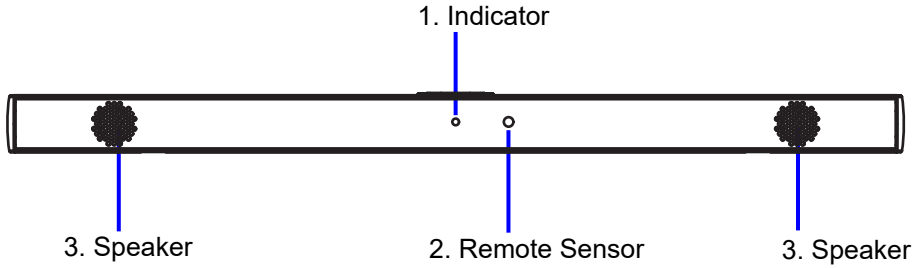
2.2 Mounting to a brick wall



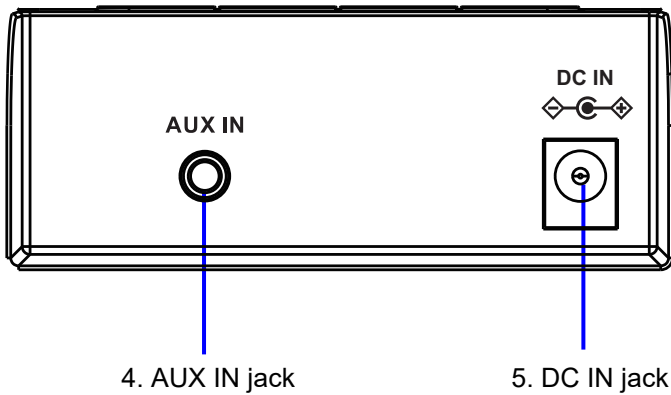
- A. Mark the position of the mounting screws on the wall using a pencil.
- B. Drill 2 holes on wall with a powerful electric drill.
- C. Insert the fixing plug and hammer into the holes.
- D. Secure the screws into the fixing plug and leave approx. 0.3 inches length to hook the sound bar.
- E. Put the sound bar onto the mounting screws. Make sure they are firm and stable.

LOCATION OF CONTROLS

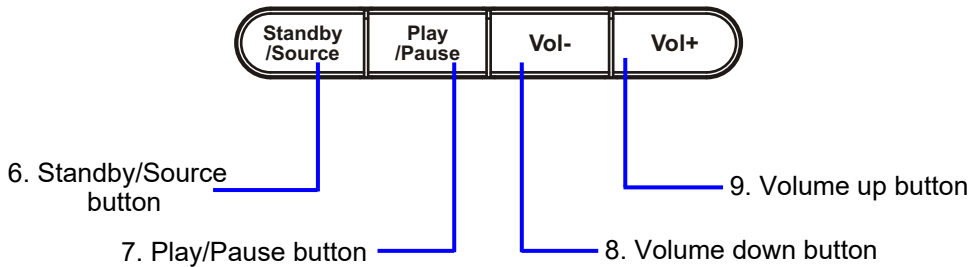
Front View



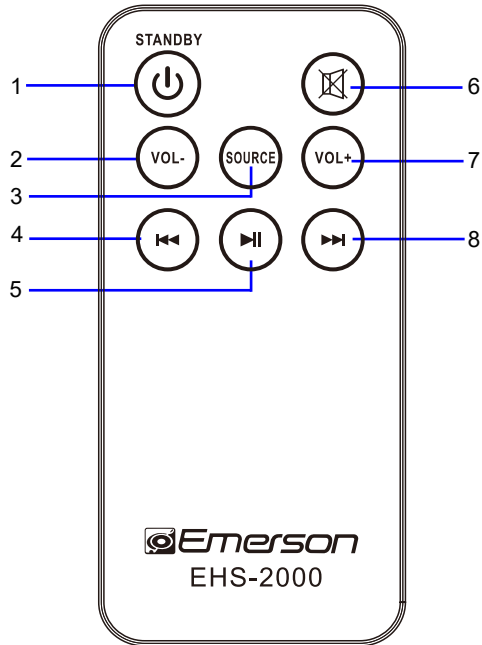
Rear View



Top View



REMOTE CONTROL



- | | |
|-------------------------------|-----------------------------|
| 1. STANDBY button | 5. (Play/pause) button |
| 2. VOL - (Volume down) button | 6. (Mute) button |
| 3. SOURCE button | 7. VOL + (Volume up) button |
| 4. (Previous) button | 8. (Next) button |

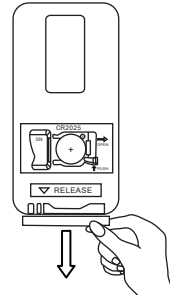
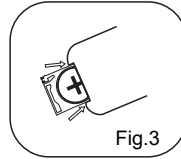
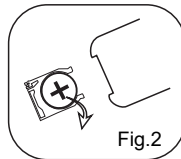
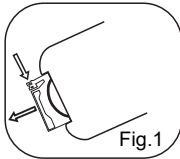
BATTERY INSTALLATION OF REMOTE CONTROL

USING AT FIRST TIME

- Remove and discard the insulation film as figure on the right.

REPLACING BATTERY

1. Push and slide out the battery holder as figure 1 below.
2. Replace the battery with a new CR2025 button cell as the polarity markings on the rear of the Remote Control.
3. Close the battery holder.



BATTERY PRECAUTIONS

Follow these precautions when using a battery in this device:

1. Use only the size and type of battery specified.
2. Be sure to follow the correct polarity when installing the battery as indicated in the battery compartment, a reserved battery may cause damage to the device.
3. Do not mix different types of batteries together (e.g. Alkaline and Carbon-zinc) or old batteries with fresh ones.
4. If the batteries in the device are consumed or the device is not to be used for a long period of time, remove the batteries to prevent damage or injury from possible leakage.
5. Do not try to recharge the battery not intended to be recharged; it can overheat and rupture. (Follow battery manufacturer's instructions)
6. The batteries shall not be exposed to excessive heat such as sunshine, fire or the like.
7. Clean the battery contacts and also those of the device prior to battery installation.
8. The remote control supplied with a coin/button cell battery. If the coin button cell battery is swallowed, it can cause severe internal burns in just 2 hours and can lead to death. Keep new and used battery away from children. If the Battery compartment does not close securely, stop using the product and keep it away from children. If you think batteries might have been swallowed or placed any part of the body, seek immediate medical attention.




CAUTION



- Danger of explosion if the battery is incorrectly replaced.
- Replace only with the same or equivalent type.

REMOTE CONTROL OPERATION

- When there is an obstacle between the transmitter and the unit, the unit may not operate.
- When direct sunlight, an incandescent lamp, fluorescent lamp or any other strong light shines on the REMOTE SENSOR of the unit, the operation of the remote may be unstable.

GENERAL OPERATION

1. Connect the AC/DC adapter to the unit and wall outlet. The red indicator will light and the unit is in standby mode.
2. Press the Standby/Source button on the unit or press the  STANDBY button on the remote control to switch the unit to work mode.
3. Press the Standby/Source button on the unit again, or press the SOURCE button on the remote control . The color of indicator will turn to:

Blue.....Bluetooth Mode
Violet (blue + red).....AUX Mode
4. During Playback:
 - ~ Press the Vol- or Vol+ button on unit or remote control to adjust the volume.
 - ~ Press the  (Mute) button on the Remote Control to turn off the sound.
Press again to resume.
5. When finishing listening, press and hold the Standby/Source button on the unit or press the  STANDBY button on remote control to put the unit in standby mode.

BLUETOOTH PAIRING AND CONNECTION

For first time use or re-pairing, pair the unit to an external Bluetooth (BT) device as below:

1. Power on the unit as previously explained.
2. Press the Standby/Source button on the unit or press the SOURCE button on remote control. The indicator will blink in blue, and a voice tone sounds "Bluetooth Mode".
3. Power on the external Bluetooth device and switch on Bluetooth. When "**EMERSON EHS-2000**" appears, select it and start pairing.
4. After paired, the indicator will stop blinking and a beep will be heard, which both indicating the Bluetooth connection is established. (For details on pairing steps, please refer to the user's manual of your Bluetooth device.)
5. During playing:
 - ~ Press the ►► or ◀◀ button on remote control to skip tracks.
 - ~ Press the ►◄ button on remote control or the Play/Pause button on the unit to pause. Press again to resume normal playing.
 - ~ Press the Vol- or Vol + button to adjust volume level.

Note: When the volume is set to the highest level, a beep will sound to notify it.

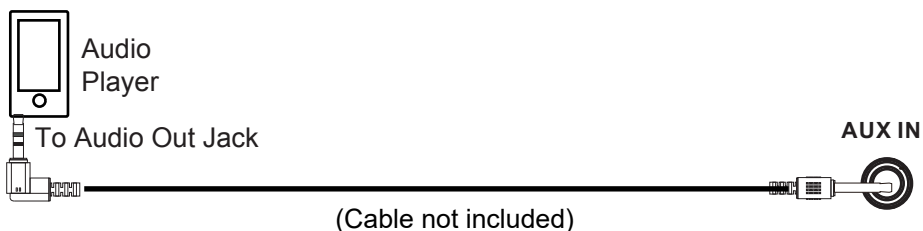
Normal operation after first time pairing:

1. Power on the unit and select the Bluetooth mode as above stated.
2. Activate the Bluetooth function on external Bluetooth device.
3. After a few seconds the unit will automatically connect to the external Bluetooth device.
4. Play the music as stated above.

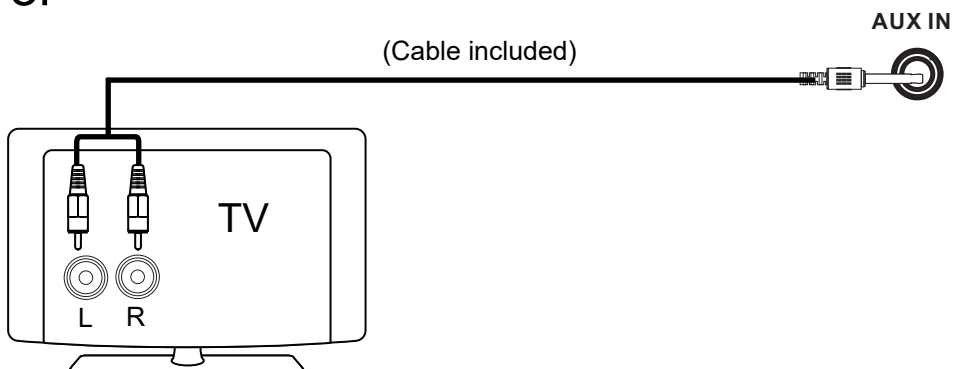
LISTEN THROUGH AUX IN

An external (Auxiliary) audio source (i.e. personal CD player or MP3 player) can be connected to this unit and heard through the speakers.

1. Plug one end of the Aux In cable into the AUX IN jack on the rear of the unit.
2. Plug the other end of the Aux In cable into the Earphone, AUX OUT or LINE OUT jack of the external audio source.




or




3. Power on the unit as previously explained.
4. Press the Standby/Source button on the unit or press the SOURCE button on the Remote Control repeatedly until the color of Indicator turns to Violet (blue + red), and a voice tone sounds "AUX Mode".
5. Power on the connected external player and start playing as usual.

Note: In AUX mode, the volume is mainly controlled by the connected device.

TROUBLESHOOTING

SYMPTOM	POSSIBLE CAUSE	POSSIBLE SOLUTION
No power	Power AC/DC Adapter not connected	Connect the power AC/DC adapter to the unit or wall outlet.
	The unit is in standby mode	Press the Standby/Source button on the unit or press  button on remote control to turn on the unit from Standby mode.
No sound	Volume in minimum position	Raise volume by pressing the Vol+ button.
	The paired/connected device is not in playing mode	Play music/movie in the paired/connected device as usual and make sure the volume level of it is in high level.
	Input source incorrect	Press the Standby/Source button on the unit or SOURCE button on the Remote Control repeatedly to set the input source to the desired mode.
Sound distortion	Volume level too high	<ul style="list-style-type: none"> • Reduce the volume level by pressing the Vol- button. • Reduce the volume level of the paired/connected device.
Remote control not working	The battery is weak	Replace with new battery
Bluetooth reception failure	The external device is too far from the unit	Put the external BT device close to the unit.
	Have not paired	Pair the unit with the BT Device as the procedures stated in this manual.

SPECIFICATIONS

Power Source.....	9V \equiv 1.3A	
Audio Power.....	2 x 3 W	
Bluetooth Effective Range in Open Area.....	Up to 32 feet	
Remote Effective Range.....	Up to 16 feet	

ACCESSORIES

- 1 x AC/DC Adapter
- 1 x Remote Control
- 1 x User's Manual
- 1 x 3.5mm AUX to RCA Cable

SUPPORT

If you have problems with your device, please consult the instructions in this manual. Please also visit us on the web at www.emersonaudio.com to get up to the minute news, alerts, and documentation for your device. For additional assistance, please contact Emerson Technical support.

EMERSON Technical Support
2320 East 49th ST
Vernon, CA 90058
Tel: (323) 583-8883
Email: support@emersonaudio.com
Made in China

**SPECIFICATIONS AND ACCESSORIES ARE SUBJECT TO CHANGE
WITHOUT NOTICE**



is a trademark on a registered trademark of Bluetooth SIG Inc. All other trademarks and trade names are those of their respective owners.



Barra de sonido Bluetooth®

81.28 cm (32")





Modelo: EHS-2000

Manual de Operación

FAVOR DE LEER COMPLETAMENTE EL MANUAL ANTES DE OPERAR ESTE PRODUCTO.

CONSERVAR EL MANUAL PARA FUTURAS REFERENCIAS

IMPORTANTES INSTRUCCIONES DE SEGURIDAD

	PRECAUCIÓN RIESGO DE CHOQUE ELÉCTRICO, NO ABRIR	
PRECAUCION: PARA REDUCIR EL RIESGO DE CHOQUE ELÉCTRICO NO REMOVER LA CUBIERTA (O TAPA), DENTRO DE ESTE APARATO NO HAY PARTES QUE EL USUARIO PUEDA DARLE SERVICIO, ACUDIR A UN CENTRO DE SERVICIO AUTORIZADO O CON PERSONAL CALIFICADO.		



El símbolo del relámpago con punta de flecha dentro de un triángulo, es diseñado para advertir al usuario de VOLTAJES PELIGROSOS no aislados dentro del aparato que pueden ser de magnitud suficiente para constituir riesgo de fuego o choque eléctrico para las persona.



El símbolo de exclamación dentro de un triángulo, es para alertar al usuario de la presencia de instrucciones importantes de operación, mantenimiento y servicio que se encuentran dentro de este instructivo

ADVERTENCIA: PARA PREVENIR RIESGO DE FUEGO O CHOQUE ELECTRICO, NO EXPONER ESTE PRODUCTO AL GOTEJO O SALPICADURA DE AGUA, A LA LLUVIA O HUMEDAD.

ADVERTENCIA: USAR BAJO LA SUPERVISIÓN DE UN ADULTO DEBIDO AL LARGO DEL CORDÓN DE ALIMENTACIÓN Esta unidad tiene un cordón de alimentación largo que puede enredarse o ser jalado fácilmente, causando lesiones. Favor, de asegurarse que el cordón de alimentación este colocado de manera que no cuelgue de la mesa, escritorio, etc. de manera que no pueda ser jalado por los niños o que las personas se tropiecen accidentalmente con el mismo.

NOTICIA FCC

Este producto ha sido probado y cumple con las limitaciones de un equipo digital Clase B, de acuerdo con la Parte 15 de las Normas FCC. Estos límites están diseñados para permitir una protección razonable contra interferencia dañina en una instalación residencial. Este producto genera, usa y puede emitir energía de frecuencia radial y, de no ser instalado y utilizado de acuerdo con las instrucciones, puede causar interferencia dañina a las comunicaciones radiales. Sin embargo, no existe garantía de que la interferencia no pueda ocurrir en una instalación particular. Si este producto causa una interferencia dañina a la recepción de la radio o la televisión, lo cual se puede determinar encendiendo y apagando el equipo, se recomienda al usuario tratar de corregir la interferencia mediante una o más de las siguientes medidas:

- Orientar nuevamente o reubicar la antena receptora.
- Aumentar la separación entre el producto y el receptor.
- Conectar el equipo a una salida de un circuito diferente al receptor.
- Consultar a su proveedor o a un técnico de Radio y televisión.

DECLARACION FCC

Este producto cumple con la parte 15 de las reglas FCC. La operación del producto está sujeta a las dos siguientes condiciones:

- 1) Este producto no puede causar interferencia perjudicial y
- 2) Este producto debe aceptar cualquier interferencia recibida, incluyendo interferencias que puedan causar un funcionamiento no deseado. La(s) antena(s) usadas por este transmisor deben instalarse para tener una distancia de separación de al menos 20 cm de las personas y no debe situarse u operarse en conjunto con cualquier otra antena o transmisor.

ADVERTENCIA FCC

Para asegurar el funcionamiento continuo, seguir las instrucciones de instalación y usar sólo cables blindados al conectar a otros productos. Cambios o modificaciones no aprobadas expresamente por la parte responsable del cumplimiento puede anular la autoridad del usuario para operar el equipo.



ADVERTENCIA:

Riesgos de cáncer y reproductivos

IMPORTANTES INSTRUCCIONES DE SEGURIDAD

Antes de usar el reproductor, asegurarse de leer todas las instrucciones de operación cuidadosamente. Favor de observar que estas son precauciones generales y algunas pueden no ser aplicables al producto.

Por ejemplo, el producto puede no tener la capacidad para ser conectado a una antena exterior.

1. **Leer las instrucciones.**
Deben leerse todas las instrucciones de operación y de seguridad antes de operar este producto.
2. **Conservar las instrucciones.**
Deben conservarse las instrucciones de operación y seguridad para futuras referencias.
3. **Poner atención a las advertencias.**
Todas las advertencias en el producto y las instrucciones de operación y seguridad deben de respetarse.
4. **Seguir las instrucciones.**
Deben seguirse todas las instrucciones de uso y operación.
5. **Agua y humedad.**
No usar este producto cerca del agua, por ejemplo cerca de una bañera, lavabo, fregadero de cocina o de lavar, sótanos húmedos o cerca de una piscina.
6. **Limpieza.**
Desconectar el cordón de alimentación del tomacorriente antes de darle mantenimiento o limpieza al reproductor. Limpiar con una tela, suave, limpia y seca. No usar limpiadores líquidos o en aerosol.
7. **Ventilación.**
Las ranuras y aberturas en la parte posterior y posterior del gabinete son provistas

para la ventilación y asegurar la buena operación del producto y protegerlo del sobrecalentamiento. No deben bloquearse o taparse estas aberturas, colocando el producto sobre una cama, sofá alfombra u otra superficie similar. El producto no debe colocarse cerca o sobre un radiador o fuentes de calor. Este producto no debe colocarse en un librero o estante que impida el flujo del aire a través de las ranuras de ventilación.

8. Calor.

El producto debe colocarse lejos de fuentes de calor como radiadores, registros de calor, estufas u otros productos que producen calor (incluso amplificadores).

9. Terminal de tierra y polarización.

No eliminar la característica de seguridad de una clavija polarizada o clavija con terminal a tierra, esta es una medida de seguridad. Una clavija polarizada cuenta con dos terminales con una terminal más ancha que la otra. Una clavija con terminal a tierra cuenta con dos terminales con una tercera terminal con conexión a tierra. Si la clavija no entra completamente en el tomacorriente, intentar meterla nuevamente volteándola; si tampoco entra completamente consultar a un electricista o personal calificado para reemplazar el tomacorriente obsoleto.

10. Protección del cordón de alimentación.

El cordón de alimentación debe colocarse de forma tal que no exista probabilidad de pisarlo o apretarlo sobre los lugares donde será colocado o contra el producto mismo. Poner atención particular en el cordón, la clavija, el tomacorriente y en los puntos en donde estos salen del producto.

11. Accesorios.

Usar solo accesorios/refacciones recomendados por el fabricante.

12. Manejo y desplazamiento.

No colocar este producto en un carrito, plataforma, repisa o mesa inestables, el producto puede caerse generando serias lesiones y daños a las personas y/o al producto. Usar este producto solo con el carrito, plataforma, repisa o mesa recomendado por el fabricante o vendido con el producto. La combinación del producto y de un



carrito debe moverse con cuidado. Las paradas repentinas, fuerza excesiva y las superficies desniveladas pueden generar que el producto y el carrito se vuelquen.

13. Tormentas eléctricas o periodos sin uso.

Desconectar este producto del tomacorriente durante tormentas eléctricas o cuando va ser usado por un periodo largo de tiempo para protegerlo. También desconectar la antena exterior o el sistema de cable. Esto protege al producto de daños debido a los rayos o sobre líneas de poder.

14. Referir todo servicio al centro de servicio autorizado.

El servicio es requerido cuando el producto ha sido dañado de cualquier forma, como es la clavija o cordón de alimentación dañados, líquidos u objetos han caído al interior del producto, el producto ha sido expuesto a la lluvia o humedad, el producto no opera normalmente o se ha dejado caer

15. Fuentes de alimentación.

Este producto debe ser operado solo con los tipos de fuentes de alimentación

indicados en la etiqueta de marcado, si no está seguro del tipo de la fuente de poder de su casa, consultar con su proveedor o con la compañía de electricidad local. Para productos diseñados para operar con baterías u otras fuentes, referirse al manual de operación.

16. Líneas de poder.

No debe colocarse un sistema de antena exterior cerca de las líneas eléctricas aéreas, luces o circuitos eléctricos, o donde pueda caer sobre dichas líneas eléctricas o circuitos. Al instalar un sistema de antena exterior, tener mucho cuidado de no tocar las líneas o circuitos eléctricos, el contacto con ellos puede resultar fatal.

17. Sobrecarga.

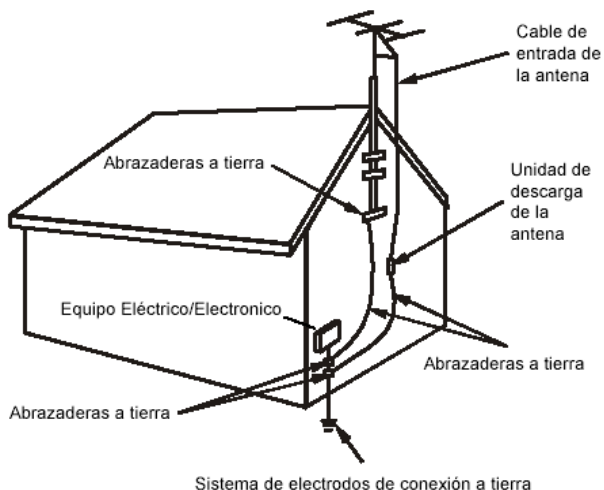
No sobrecargar los tomacorrientes, cordones de extensión y los receptáculos ya que pueden generar riesgo de fuego o choque eléctrico.

18. Entrada de objetos y líquidos.

No introducir objetos de cualquier tipo dentro de este producto a través de las ranuras o aberturas, estos pueden llegar a tocar puntos de voltaje peligroso o salidas que pueden resultar en riesgo de fuego o choque eléctrico. No derramar o rociar cualquier tipo de líquido sobre las ranuras de ventilación del producto.

19. Antena exterior.

Si una antena exterior es conectada en el producto, asegurar de que el sistema de antena es puesto a tierra para proveer protección contra sobre voltaje y cargas de corriente estática acumulada. La sección 810 del NEC (National Electrical Code), ANSI/NFPA 70, Provee información respecto a la apropiada puesta a tierra del poste y la estructura de soporte, cables principales, productos de descarga de la antena, tipos de conductores a tierra, localización de los puntos de descarga de la tierra, conexión a tierra de los electrodos y los requisitos de los electrodos de conexión a tierra (ver figura)



20. Servicio.

No intentar dar servicio usted mismo a este producto, abriendo o removiendo las

cubiertas, puede exponerse a voltajes peligrosos u otros riesgos.

21. Reemplazo de partes.

Cuando es necesario el reemplazo de partes, asegurarse que el servicio técnico use partes especificadas por el fabricante o que tengan las mismas características que las partes originales. El reemplazo de partes no autorizadas puede resultar en fuego, choque eléctrico u otros riesgos.

22. Verificar las medidas de seguridad.

Una vez que se ha completado cualquier tipo de servicio o reparación a este producto, solicitar al técnico de servicio que realice las pruebas de seguridad para poder determinar que el producto está en condiciones apropiadas de operación.

23. Colocación en la pared o techo.

El producto debe de colocarse en la pared o techo de acuerdo a como lo especifica el fabricante.

24. Daños que requieren servicio.

Desconectar el producto del tomacorriente de pared y acudir a un centro de servicio autorizado o con personal calificado bajo las siguientes condiciones

- a) Cuando la clavija o el cordón de alimentación estén dañados.
- b) Cuando ha sido derramado liquido o han caído objetos en el interior del producto.
- c) Si el producto ha sido expuesto a la lluvia o agua.
- d) Si el producto no opera adecuadamente siguiendo las instrucciones de operación. Ajustar solo los controles que son indicados en este manual de operación. El ajuste de otros controles puede ocasionar daños y a menudo se requiere de trabajo excesivo del servicio técnico para restablecer la operación normal del producto.
- e) Si el producto se ha caído o golpeado o si la cubierta está dañada.
- f) Si el producto exhibe cambios en su funcionamiento normal.

Todo lo anterior indica la necesidad de darle servicio al producto.

25. Nota sobre la instalación del sistema de cable CATV

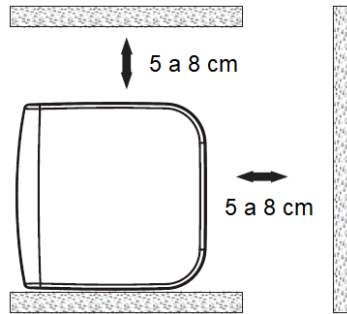
Este es una recomendación para el instalador del sistema de cable CATV para seguir el artículo 820-40 del NEC que proporciona las pautas para una adecuada conexión a tierra y de forma específica que el cable de tierra debe conectarse al sistema de tierra del edificio de la forma más cercana y practica posible

NOTA: Referir todo servicio al centro de servicio autorizado. El servicio es requerido cuando el producto ha sido dañado de cualquier forma, si la clavija o cordón de alimentación están dañados, se ha derramado liquido o han caído objetos en el interior del producto, el producto ha sido expuesto a la lluvia o humedad, el producto no opera normalmente o se ha caído.

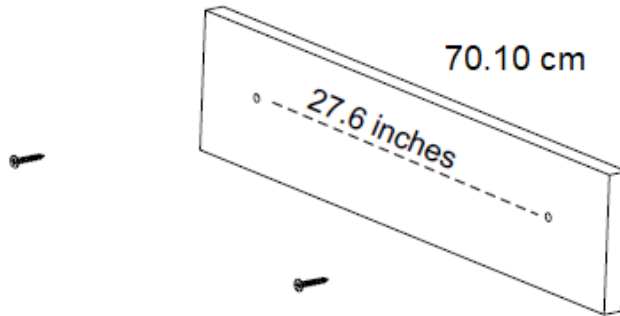
COLOCACION Y MONTAJE

1. Colocación del producto sobre una mesa – Ventilación.

Al colocar la barra de sonido en un centro de entretenimiento, una estantería, o cualquier tipo de espacio cerrado, asegurarse de dejar espacio libre alrededor de la barra de sonido para una adecuada ventilación. Si la barra de sonido está encerrada en un espacio reducido sin ventilación adecuada, el calor generado por la barra de sonido puede producir un riesgo potencial de calor.



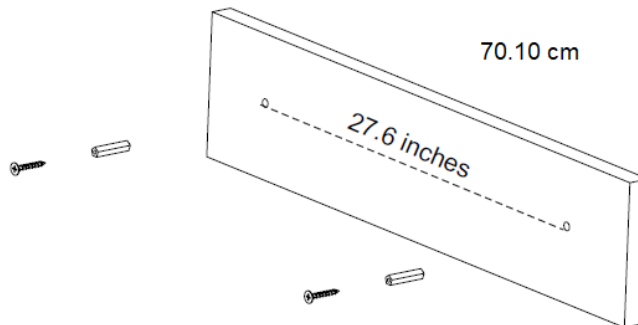
2. Montaje en una pared de madera



Tornillos no incluidos

- Marcar la posición de los tornillos de montaje en la pared ($27.6'' = 70.10 \text{ cm}$) usando una pluma o lápiz. Usar una regla y nivel para asegurarse que los puntos marcados estén nivelados.
- Atornillar los tornillos directamente sobre los puntos marcados en la madera, dejando aproximadamente 8 milímetros del tornillo fuera de la pared para enganchar la barra de sonido.
- Colocar la barra de sonido dentro de los tornillos de montaje. Asegurase que la barra esta colocada de manera firme y estable.

3. Montaje en una pared de ladrillo

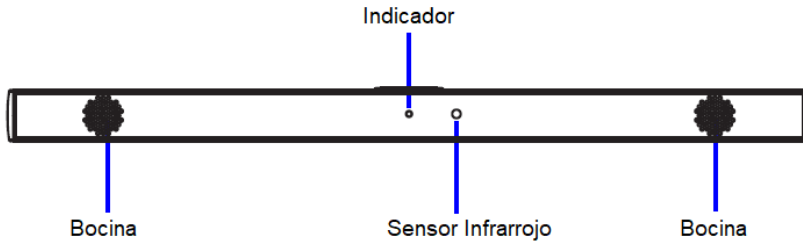


Tornillos y Taquetes no incluidos

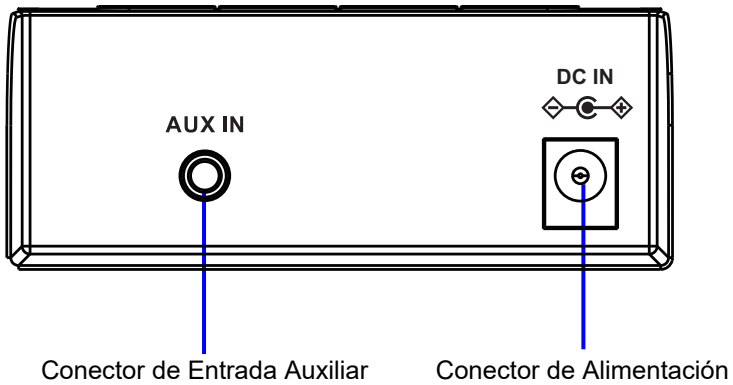
- Marcar la posición de los tornillos de montaje en la pared ($27.6'' = 70.10 \text{ cm}$) usando una pluma o lápiz. Usar una regla y nivel para asegurarse que los puntos marcados estén nivelados.
- Realizar las perforaciones en los puntos marcados usando un taladro.
- Insertar los taquetes en las perforaciones
- Atornillar los tornillos sobre los taquetes, dejando aproximadamente 8 milímetros del tornillo fuera de la pared para enganchar la barra de sonido.
- Colocar la barra de sonido dentro de los tornillos de montaje. Asegurase que la barra esta colocada de manera firme y estable.

DESCRIPCIÓN DE PARTES

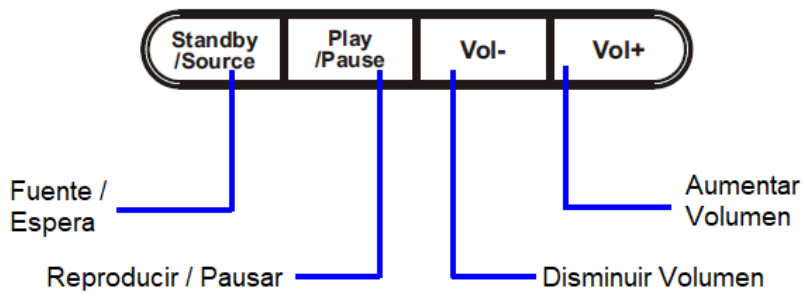
Parte Frontal



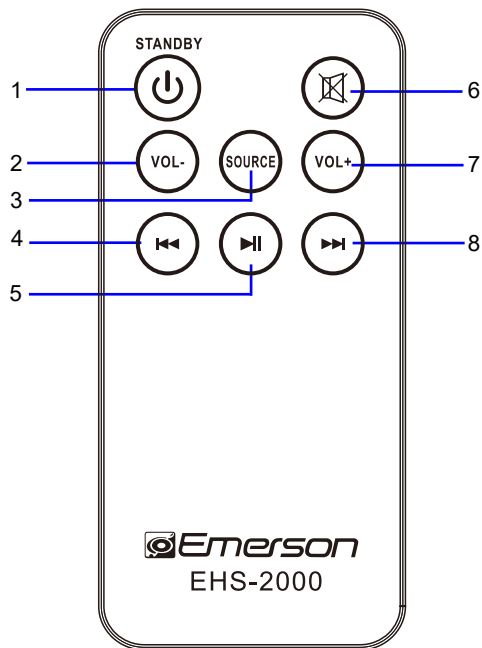
Parte Posterior








Parte Superior



CONTROL REMOTO

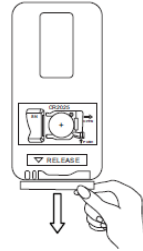


- | | |
|---|--|
| 1. Poder / Espera “  ” | 5. Reproducir / Pausar “  ” |
| 2. Disminuir Volumen “VOL-” | 6. Silencio “  ” |
| 3. Fuente “SOURCE” | 7. Aumentar Volumen “VOL+” |
| 4. Anterior “  ” | 8. Siguiente “  ” |

INSTALACION DE LA BATERIA – CONTROL REMOTO

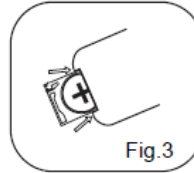
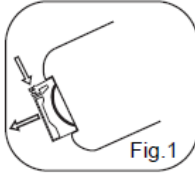
Primer uso

Retirar y desechar el aislamiento plástico como se observa en la figura de la derecha



Reemplazar la batería en el control remoto:

1. Empujar el seguro y deslizar hacia fuera la bandeja de la batería como se observa en la fig. 1.
2. Colocar una batería nueva de 3 Vcc tipo botón CR2025 con el lado positivo hacia arriba como se observa en la fig. 2.
3. Introducir la bandeja de la batería en el control como se observa en la fig. 3.



Precauciones sobre las baterías

Favor de seguir las precauciones siguientes al usar baterías en el control remoto:

1. Usar solo el tipo y tamaño de batería especificada.
2. Asegurarse de colocar la polaridad correcta al reemplazar la batería como se indica en la bandeja, una polaridad inadecuada puede causar daños al control.
3. No mezclar diferentes tipos de baterías (por ejemplo, alcalinas con Zinc carbón) o baterías nuevas con usadas.
4. Si la batería está agotada o el control remoto no va ser usado por un periodo largo de tiempo, remover la batería para prevenir daños o lesiones por posible fuga de ácido.
5. No intentar recargar baterías no recargables, esto puede sobrecalentarlas y generar una ruptura o explosión (seguir las instrucciones del fabricante de las baterías).
6. No exponer las baterías a calor excesivo como bajo los rayos directos del sol, fuego o similares.
7. Limpiar los contactos de la batería y del control antes de instalar la batería.
8. El control remoto incluido cuenta con una batería tipo botón. Si la batería es tragada, esta puede causar severas quemaduras internas en 2 horas que pueden ser de consecuencias fatales. Mantener las baterías usadas y nuevas lejos del alcance de los niños. Si el compartimiento de las baterías no cierra de manera segura, detener el uso del control remoto y mantenerlo lejos de los niños. Si piensa que la batería ha sido tragada o colocada en cualquier parte del cuerpo, acudir al médico inmediatamente.



Precaución:

- Una polaridad incorrecta al colocar la batería puede generar riesgo de explosión.
- Reemplazar solo con baterías del mismo tipo o equivalentes

Operación del control remoto

- Cuando existen obstáculos entre el emisor del control remoto y el sensor infrarrojo de la unidad, el control remoto puede no operar adecuadamente.
- Cuando los rayos directos del sol, la luz de lámparas incandescentes, lámparas fluorescentes o cualquier otra fuente fuerte de luz está dirigida al sensor infrarrojo de la unidad, la operación del control remoto puede ser inestable.

OPERACIÓN GENERAL

1. Conectar el adaptador ca/cc a la barra de sonido y al tomacorriente, el led indicador se enciende y la barra entra al modo de espera.
2. Presionar "STANDBY/SOURCE" en la barra o "⏻" en el mando a distancia para cambiar la unidad al modo de trabajo.
3. Presionar continuamente "STANDBY/SOURCE" en la barra o "SOURCE" en el control remoto para seleccionar el modo de operación deseado, el color del led indicador especifica el modo de operación como se indica a continuación:

Azul

Modo de Bluetooth

Violeta (Azul + Rojo)

Modo de Entrada Auxiliar

4. Durante la reproducción:
 - Presionar y sostener "VOL-" o "VOL+" en la barra o control remoto para ajustar el volumen al nivel deseado.
 - Presionar "🔇" en el control remoto para desactivar la salida de audio (silencio), volver a presionar "🔊" para activar la salida de audio nuevamente.
5. Al terminar de usar la barra, presionar y sostener "STANDBY/SOURCE" en la barra o "⏻" en el control remoto para colocar la barra en modo de espera.

OPERACIÓN BLUETOOTH®

Sincronizar la barra con el dispositivo Bluetooth® (teléfono celular inteligente o reproductor de audio).

1. Encender la barra como se explicó anteriormente.
2. Pulse el botón Standby/Source de la unidad o pulse el botón SOURCE en control remoto. El indicador parpadeará en azul y suena un tono de voz "Modo Bluetooth".
3. Encienda el dispositivo Bluetooth externo y encienda Bluetooth. Cuando Aparece "EMERSON EHS-2000", selecciónelo e inicie el emparejamiento.
4. Después de emparejado, el indicador dejará de parpadear y se escuchará un pitido, que ambos indican que la conexión Bluetooth está establecida. (Para obtener más información sobre el emparejamiento pasos, consulte el manual del usuario de su dispositivo Bluetooth).
5. Durante el juego: Presione el ►► botón o en el ◀◀ control remoto para omitir pistas. Pulse el ►◄ botón del mando a distancia o el botón de reproducción/pausa de la unidad para hacer una pausa. Pulse de nuevo para reanudar la reproducción normal. Pulse el botón Vol- o Vol + para ajustar el nivel de volumen.

Nota: Cuando el volumen está ajustado al nivel más alto, sonará un pitido para notificarlo.

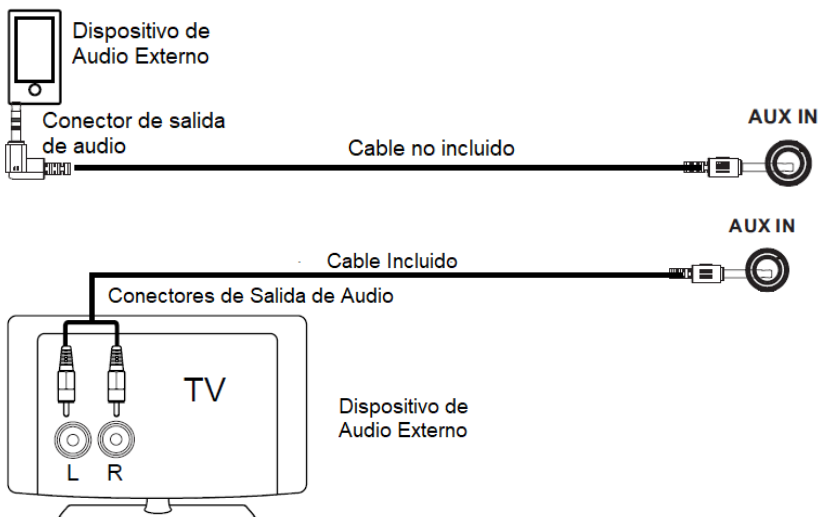
Operación normal después de sincronizarse por primera vez

1. Encender la barra y seleccionar el modo de Bluetooth® como se explicó anteriormente.
2. Activar la función de Bluetooth® en el dispositivo Bluetooth® externo.
3. Esperar unos segundos a que la barra se conecte automáticamente con el dispositivo Bluetooth® externo
4. Reproduce la música como se indicó anteriormente.

OPERACIÓN DE LA ENTRADA AUXILIAR

La barra puede reproducir dispositivos de audio externos sin función de Bluetooth® (teléfono celular, reproductor mp3, reproductor de disco compacto, televisión, etc.) a través del conector de Entrada Auxiliar "AUX IN", la reproducción de los dispositivos de audio externos se escuchara a través de las bocinas de la barra.

1. Enchufe un extremo del cable Aux In en el conector AUX IN de la parte posterior de la unidad.
2. Enchufe el otro extremo del cable Aux In en el auricular, AUX OUT o LINE Conector OUT de la fuente de audio externa.



3. Encienda la unidad como se explicó anteriormente.
4. Pulse el botón Standby/Source de la unidad o pulse el botón SOURCE en el control remoto repetidamente hasta que el color del indicador cambie a violeta (azul + rojo), y un tono de voz suena "AUX Mode".
5. Encienda el reproductor externo conectado y comience a jugar como de costumbre.



Nota: En el modo AUX, el volumen es controlado principalmente por el dispositivo conectado.

GUIA PARA LA SOLUCION DE PROBLEMAS

Verificar la siguiente guía antes de acudir al centro de servicio autorizado.

PROBLEMA	POSIBLE CAUSA	POSIBLE SOLUCIÓN
La barra no enciende	El adaptador de ca/cc no está conectado	Conectar el adaptador de ca/cc
	La barra esta en modo de espera	Presionar "STANDBY/SOURCE" en la barra o "⏻" en el control remoto para encender la barra
No hay salida de audio o es débil	El volumen de la barra esta está demasiado bajo	Aumentar el volumen de la barra
	El volumen del dispositivo conectado / sincronizado está demasiado bajo	Aumentar el volumen del dispositivo conectado/sincronizado
	El dispositivo conectado / sincronizado no está en modo de reproducción	Iniciar la reproducción en el conectado / sincronizado
	Modo de fuente incorrecto	Presionar "STANDBY/SOURCE" en la barra o "SOURCE" en el control remoto para seleccionar el modo de fuente correcto
La salida de audio esta distorsionada	El volumen de la barra está demasiado alto	Disminuir el volumen de la barra
	El volumen del dispositivo conectado / sincronizado está a demasiado alto	Disminuir el volumen del dispositivo conectado / sincronizado
El control remoto no opera	No se removió el aislamiento de plástico en el control remoto	Remover el aislamiento de plástico del control remoto
	La batería está débil	Reemplazar la batería por una nueva
	Hay obstáculos entre el control remoto y sensor infrarrojo	Eliminar los obstáculos
No opera la función Bluetooth®	El dispositivo conectado / sincronizado esta demasiado lejos de la barra	Disminuir la distancia entre el dispositivo Bluetooth® y la barra
	La barra y el dispositivo Bluetooth® no están sincronizados	Sincronizar la barra y el dispositivo Bluetooth®

ESPECIFICACIONES

Fuente de alimentación:	9 V  1.3 A 
Potencia de audio:	2 x 3 W
Versión de Bluetooth:	5.1
Distancia de operación Bluetooth:	10 metros aproximadamente en área abierta
Distancia de operación Control Remoto:	5 metros aproximadamente en área abierta

LAS ESPECIFICACIONES Y EL DISEÑO DE ESTE PRODUCTO Y SUS ACCESORIOS ESTAN SUJETOS A CAMBIOS SIN PREVIO AVISO PARA MEJORAS DE LOS MISMOS.

CONTENIDO

- Adaptador ca/cc
- Cable de Audio con conectores estéreo de Ø 3.5 mm y conectores RCA
- Control Remoto
- Manual de Operación

SOPORTE

Si tiene problemas con la operación de este producto, favor de consultar las instrucciones en este manual, así como las últimas noticias, recomendaciones y documentación que puede encontrar en nuestra página web www.emersonaudio.com.

Si necesita asistencia futura, favor de contactar al centro de servicio autorizado o soporte técnico autorizado.

Soporte Técnico EMERSON
2320 East 49th ST
Vernon, CA 90058
Tel: 323 583-8883
Correo Electrónico: support@emersonaudio.com
Hecho en China




Bluetooth®

Es una marca registrada de Bluetooth SIG Inc. Todas las demás marcas y nombres comerciales son propiedad de sus respectivos dueños.

INDICACIONES SOBRE EL MEDIO AMBIENTE



Al término de la vida útil de este producto, este no debe ser desechado en la basura doméstica para evitar daños al medio ambiente, en su caso acudir al  centro de desechos sólidos de su localidad. La separación adecuada de los desechos ayuda a evitar posibles efectos negativos sobre la salud humana y el medio ambiente y promueve el reciclaje de los materiales que componen el producto. Informarse en su localidad sobre los organismos de eliminación de este tipo de desechos.