



22287-CD009BT  
P/N.:227-009BTE07-002L1  
SIZE:120X175MM  
封面封底80G书纸,内页70G书  
纸,白底黑字  
40版20页订装,两面看排版  
两国语言封面背面加空白页

## Instruction Manual

**PORTABLE BLUETOOTH/MP3/CD/USB PLAYER WITH PLL AM/FM  
STEREO RADIO CASSETTE RECORDER**

**MODEL: EPB-3002**



**IMPORTANT:** Please read before using and keep for future reference.

---

---

## Thank You

We know you have many choices when it comes to technology; thank you for choosing us here at Naxa Electronics, Inc. Established in 2001 in Los Angeles, California, we are dedicated to delivering products that entertain and delight.

We trust that you will be happy with your purchase. Please read this manual carefully and save it for reference. You may also find the latest FAQ, documentation, and other product material at our website. Come visit us on the web at **[www.emersonaudio.com](http://www.emersonaudio.com)** and see all that we have to offer!

---

---

## In the Box

Please take a moment to make sure that you have everything in the list below. Although we make every effort to ensure that each Naxa device is securely packed and sealed, we know a lot can happen in between us and you. If anything is missing, check back with your local retailer to get immediate assistance. If they cannot help you, please contact our Naxa Support team at **[www.emersonaudio.com\\_support](http://www.emersonaudio.com_support)**.

- EPB-3002 Portable CD/MP3/Radio/Cassette/Bluetooth Player
  - Adapter
  - Remote Control
  - User's Manual
- 
- 

## Support

If you have problems with your device, please consult the instructions in this manual. Please also visit us on the web at [www.emersonaudio.com](http://www.emersonaudio.com) to get up to the minute news, alerts, and documentation for your device. For additional assistance, please contact Naxa Technical Support.

NAXA Technical Support  
2320 East 49<sup>th</sup> St.  
Vernon, CA 90058  
Toll Free: (866) 411-6292  
[www.emersonaudio.com](http://www.emersonaudio.com)

---

---

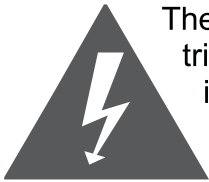
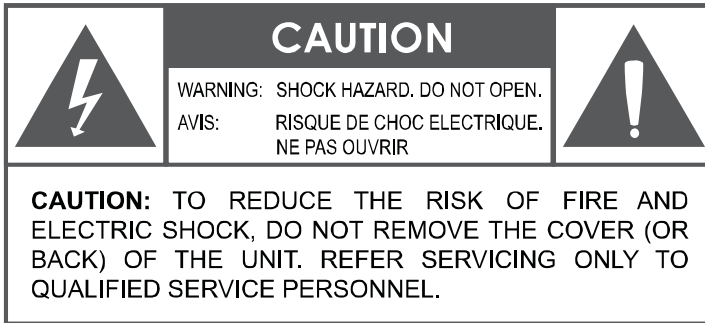
## Table of Contents

Thank You .....	2
In the Box.....	2
Warnings and Precautions .....	4
Important Safety Information .....	5-8
LOCATION AND CONTROLS .....	9
FEATURES AND CONTROLS.....	10
LOADING THE BATTERIES INTO THE REMOTE HANDSET.....	10
REMOTE CONTROL OPERATION .....	11
POWER SOURCE .....	11
DC OPERATION .....	11
BASIC FUNCTIONS .....	11
Turning on the unit .....	11
Volume adjusting.....	11
Bass Boost System .....	12
AUX in Operation .....	12
USING THE RADIO .....	12
Tuning Radio Stations.....	12
Radio Station Memory Operation .....	12
USING THE CASSETTE.....	13
Playing the Cassette .....	13
CD/MP3/USB Recording.....	15
USING THE CD/MP3 .....	15
Discs for Playback.....	15
Loading a Disc .....	15
Playing a Disc .....	15
Selecting a Desired Track/Passage .....	16
Program Tracks.....	16
To Erase the Memory (Program).....	17
Repeat .....	17
Random Play .....	17
LISTENING TO USB PLAYBACK .....	17-18
BLUETOOTH OPERATION .....	18
SPECIFICATIONS .....	18-19

---

---

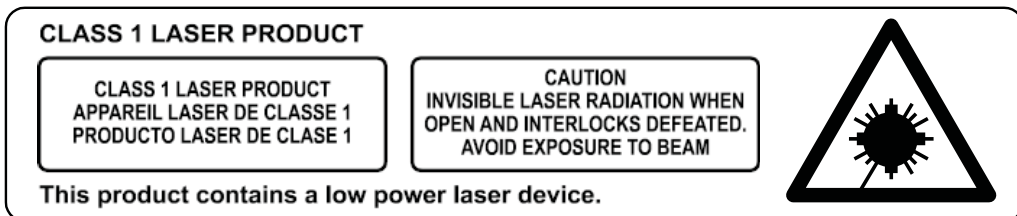
## Warnings and Precautions



The lightning flash with arrowhead symbol within an equilateral triangle is intended to alert the user to the presence of un-insulated “dangerous voltage” within the product’s enclosure that may be significant magnitude to constitute risk of electric shock.



The exclamation point within an equilateral triangle is intended to alert the user to the presence of important operation and servicing instructions in the literature accompanying the appliance.



### On Protection Against Laser Energy Exposure

- As the laser beam used in this products is harmful to the eyes, do not attempt to disassemble the casing.
- Stop operation immediately if any liquid or solid object should fall into the cabinet.
- Do not put anything in the safety slot. If you do, the laser diode will be ON when the disc compartment door is still open.
- If the unit is not to be used for a long period of time, make sure that all power sources are disconnected from the unit. Remove all batteries from the battery compartment, and unplug the AC-DC adapter from the wall outlet. Make it a practice to remove the AC-DC adapter by grasping the main body and not by pulling the cord.
- This unit employs a laser. The use of controls or adjustment or performance of procedures other than those specified here may result in exposure to hazardous radiation.

---

---

## Caution

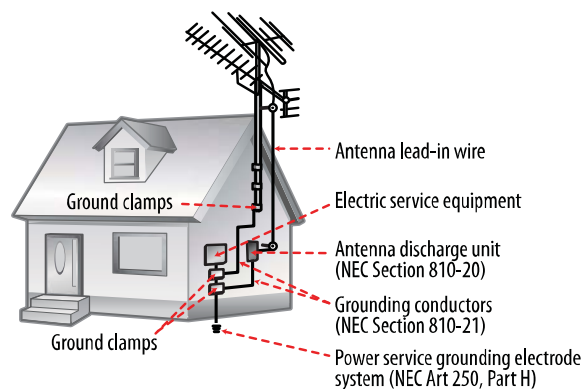
- Do not block the ventilation openings or holes.
- Do not place any naked flames (such as lighted candles) on the apparatus.
- When discarding batteries, follow all local rules and laws governing the disposal of batteries. Consider the environmental impact of your actions!
- Invisible laser radiation when open and interlock has failed or been defeated. Avoid direct exposure to beam.
- To prevent fire or shock hazard, do not expose this appliance to rain or moisture.

## Important Safety Information

1. Read Instructions: All the safety and operating instructions should be read before the product is operated.
2. Retain Instructions: The safety and operating instruction should be retained for future reference.
3. Heed Warnings: All warnings on the product and in the operating instructions should be adhered to.
4. Follow Instructions: All operating and usage instructions should be followed.
5. Cleaning: Unplug this product from the wall outlet before cleaning. Do not use liquid cleaners or aerosol cleaners. Use a damp cloth for cleaning.
6. Attachments: Use only attachments recommended by the manufacturer. Use of other attachments may be hazardous.
7. Water and Moisture: Do not use this product near water (e.g., near a bathtub, washbowl, kitchen sink, laundry tub, in wet basements, or near a swimming pool and the like).
8. Accessories: Do not place this product on an unstable cart, stand, tripod, bracket, or table. Use only with carts, stands, tripods, brackets, or tables recommended by the manufacturer or sold with the product. Any mounting of the product should follow the manufacturer's instructions and should use a mounting accessory recommended by the manufacturer. A product and cart combination should be moved with care. Quick stops, excessive force, and uneven surfaces may cause the product and cart combination to overturn.
9. Ventilation: Slots and openings in the cabinet are provided for ventilation to ensure reliable operation of the product and to protect it from overheating. These openings should never be blocked by placing the product on a bed, sofa, rug, or other similar surface. This product should not be placed in a built-in installation such as a bookcase or rack unless proper ventilation is provided or the manufacturer instructions have been adhered to.



10. Power Sources: This product should be operated only from the type of power source indicated on the rating label. If you are not sure of the type of power supply to your home, consult your product dealer or local power company. For products intended to operate from battery power or other sources, refer to the operating instructions.
11. Grounding or Polarization: This product may be equipped with a polarized alternating-current line plug that has one blade wider than the other. This plug will only fit into the power outlet in one direction. This is a safety feature. If you are unable to insert the plug fully into the outlet, try reversing the direction of the plug. If the plug should still fail to fit, contact an electrician to replace the obsolete outlet. Do not defeat the safety purpose of the polarized plug.
12. Power-Cord Protection: Power supply cords should be routed so that they are not likely to be walked on or pinched by items placed upon or against them, paying particular attention to cords at plugs, convenience receptacles, and at the point which they exit from the product.
13. Protective Attachment Plug: The product may be equipped with an attachment plug with overload protection. This is a safety feature. See the operating instructions for replacement or directions to reset the protective device. If replacement of the plug is required, be sure the service technician has used a replacement plug that has the same overload protection as the original plug as specified by the manufacturer.
14. Outdoor Antenna Grounding: If an outside antenna is connected to the product, be sure the antenna system is grounded so as to provide some protection against voltage surges and built-up static charges. Article 810 of the National Electrical Code, ANS/NFPA70 provides information with



regard to proper grounding of the mast and supporting structure, grounding of the lead-in wire to an antenna-discharge unit, size of grounding conductors, location of antenna-discharge unit, connection to grounding electrodes, and requirements for the grounding electrode (see figure).

15. Lightning: For added protection for this product, unplug it from the wall outlet and disconnect the antenna or cable system during a lightning storm or when it is left unattended and unused for long periods of time. This will prevent damage to the product due to lightning or power-line surges.
16. Power Lines: An outside antenna system should not be located in the vicinity of overhead power lines or other electric light or power circuits, or where it can fall into such power lines or circuits. When installing an

outside antenna system, extreme care should be taken to keep from touching such power lines or circuits, as contact with them might be fatal.

17. Overloading: Do not overload wall outlets, extension cords, or integral convenience receptacles as this can result in a risk of fire or electric shock.
18. Object and Liquid Entry: Never push objects of any kind into this product through openings as they may touch dangerous voltage points or short out parts that could result in a fire or electric shock. Never spill liquid of any kind on the product.
19. Servicing: Do not attempt to service this product yourself as opening or removing covers may expose you to dangerous voltage or other hazards. Refer all servicing to qualified service personnel.
20. Damage Requiring Service: Unplug this product from the wall outlet and refer servicing to qualified service personnel under the following conditions:
  - a) when the power-supply or plug is damaged;
  - b) if liquid has been spilled or if objects have fallen into the product;
  - c) if the product has been exposed to rain or water;
  - d) if the product does not operate normally by following the operating instructions. Adjust only those controls that are covered by the operating instructions as improper adjustment of other controls may result in damage and will often require extensive work by a qualified technician to restore the product to its normal operation;
  - e) if the product has been dropped or damaged in any way;
  - f) when the product exhibits a distinct change in performance—this indicates a need for service.
21. Replacement Parts: When replacement parts are required, be sure that your service technician has used replacement parts specified by the manufacturer or have the same characteristics as the original part. Unauthorized substitutions may result in fire, electric shock, or other hazards.
22. Safety Check: Upon completion of any service or repairs to this product, ask the service technician to perform safety checks to ensure that the product is in proper operating condition.
23. Wall or Ceiling Mounting: The product should be mounted to a wall or ceiling only as recommended by the manufacturer.
24. Heat: The product should be situated away from heat sources such as radiators, heat registers, stoves, or other products (including amplifiers) that produce heat.

## **FCC NOTICE**

This device complies with Part 15 of the FCC Rules. Operation is subject to the following two conditions: (1) this device may not cause harmful interference, and (2) this device must accept any interference received, including interference that may cause undesired operation.

Note: This equipment has been tested and found to comply with the limits for a Class B digital device, pursuant to Part 15 of the FCC Rules. These limits are designed to provide reasonable protection against harmful interference in a residential installation. This equipment generates uses and can radiate radio frequency energy and, if not installed and used in accordance with the

instructions, may cause harmful interference to radio communications. However, there is no guarantee that interference will not occur in a particular installation. If this equipment does cause harmful interference to radio or television reception, which can be determined by turning the equipment off and on, the user is encouraged to try to correct the interference by one or more of the following measures:

- Reorient or relocate the receiving antenna.
- Increase the separation between the equipment and receiver.
- Connect the equipment into an outlet on a circuit different from that to which the receiver is connected.
- Consult the dealer or an experienced radio/TV technician for help.

## **CAUTION ON MODIFICATIONS**

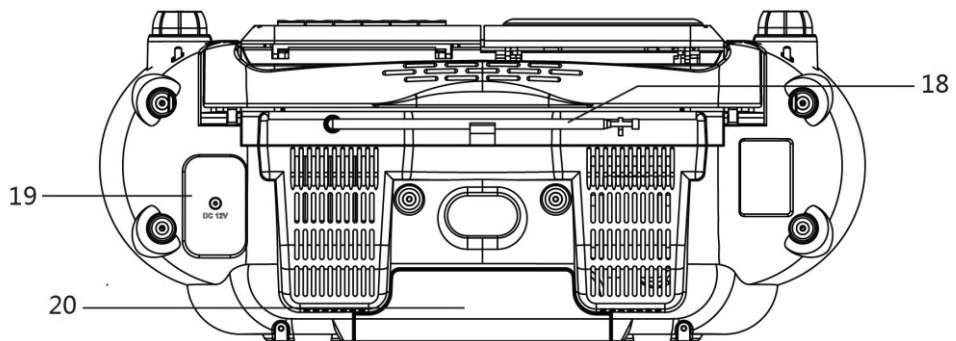
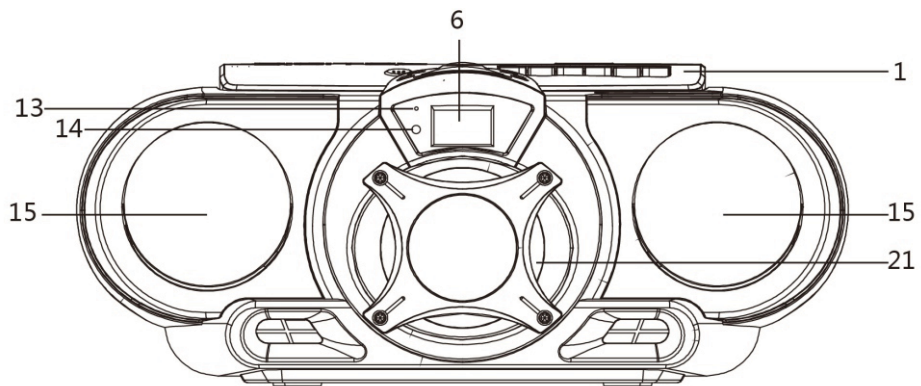
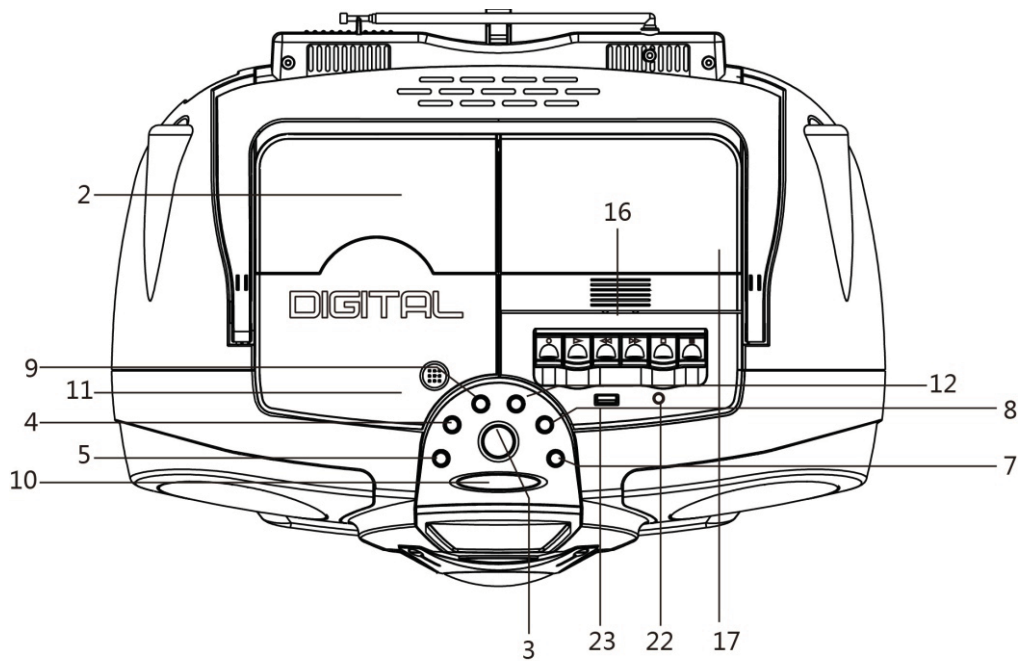
Any changes or modifications not expressly approved by the grantee of this device may void the authority granted by the FCC to operate the equipment.

## **WARNING**

This product contains lead, a chemical known to the State of California to cause cancer and birth defects or other reproductive harm. **Wash hands after handling.**



# LOCATION AND CONTROLS

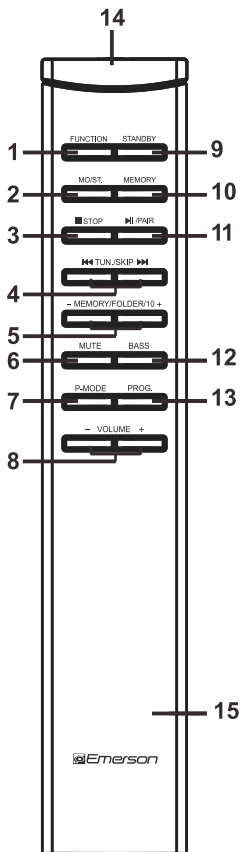


## FEATURES AND CONTROLS

- |                              |  |
|------------------------------|--|
| 1. FOLDING HANDLE            | 14. REMOTE SENSOR  |
| 2. CD COMPARTMENT            | 15. SPEAKERS(L&R)  |
| 3. STANDBY/FUNCTION BUTTON   | 16. CASSETTE FUNCTION KEYS<br>(RECORD-PLAY-REWIND -FAST<br>FORWARD -STOP/EJECT -PAUSE) |
| 4. BACK/TUN.- BUTTON         | 17. CASSETTE COMPARTMENT   |
| 5. CD STOP BUTTON            | 18. FM TELESCOPIC ANTENNA  |
| 6. LCD DISPLAY               | 19. DC IN JACK   |
| 7. CD PLAY/PAUSE/PAIR BUTTON | 20. BATTERY COMPARTMENT  |
| 8. NEXT/TUN.+BUTTON          | 21. POWER DRIVE WOOFER   |
| 9. VOL.- BUTTON              | 22. AUX IN JACK  |
| 10.BASS BUTTON               | 23. USB PORT   |
| 11.CD DOOR PUSH OPEN/CLOSE   |  |
| 12.VOL.+ BUTTON              |  |
| 13.STANDBY INDICATOR         |  |

## LOADING THE BATTERIES INTO THE REMOTE HANDSET

- Open the battery compartment cover.
- Insert 2PCS “AA” batteries (not included) as indicated inside the battery compartment.
- Close the cover.



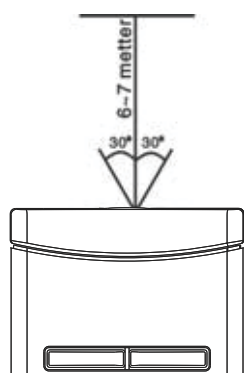
### KEY FUNCTIONS:

1. FUNCTION KEY
2. MO/ST. KEY
3. ■ STOP KEY
4. ◀◀ TUN./SKIP ▶▶ KEY
5. MEMORY/FOLDER/10+/- KEY
6. MUTE KEY
7. P-MODE KEY
8. VOLUME+/- KEY
9. STANDBY KEY
10. MEMORY KEY
11. ▶▶ /PAIR KEY
12. BASS KEY
13. PROG. KEY
14. REMOTE SENSOR
15. BATTERY DOOR

---

---

## REMOTE CONTROL OPERATION



To operate the unit with the remote control, point the remote handset at the remote sensor on the front panel and press the appropriate button on the remote handset.

The remote works best within a range of 6 ~ 7 meters from the front panel and on an angle of 30 degrees. Bright sunlight or room light conditions can interfere with the remote control. If the remote operation is unsatisfactory or stops working entirely, first try replacing the remote batteries, then try reducing the room lighting conditions.

## POWER SOURCE

This unit is designed to be operated on DC.

### DC Input Operation

Plug the tail of supplied adaptor into DC IN Jack on unit and the plug into household AC outlet. The batteries will be automatically disconnected.

### DC Operation

Open the BATTERY COMPARTMENT DOOR. Install 8 pcs UM-1/D size batteries (not included) into compartment. Please follow correct polarities as indicated.

### CAUTION

Remove batteries if they are exhausted or not being used for a long time. Batteries contain chemical substances, so they should be disposed of properly.

## BASIC FUNCTION

### Turning on the unit

Press the STANDBY/FUNCTION button on unit or press the STANDBY key on remote control, then press the STANDBY/FUNCTION button on unit or FUNCTION key on remote control to choose FM or AM or BT or TAP or CD or USB mode.

### Volume adjusting

Press the electronic VOLUME UP/DOWN button on unit or on remote control to increase or decrease volume.

Press MUTE button on remote control to turn off the sound. Press again to turn on.

## Bass Boost System

The BASS button controls the bass of the unit. Bass sound is the lower frequency ranges of sound. The button can be pushed to OFF or ON mode, When the BASS is on, the unit boosts (increases) the sound output of the bass frequencies.

## AUX IN Operation

This unit has provided an AUX-IN jack, through this jack other audio sources can be connected.

1. Press the STANDBY/FUNCTION button on unit or FUNCTION key on remote control to BT.
  2. Connect the audio cable into the AUX-IN jack and the other end connect to the AUDIO OUT jack of the external audio source. The unit will change to AUX mode automatically.
  3. Adjust the volume of the main unit. Press PLAY of the external audio source (eg. MP3 player) to start playback.
- 

## USING THE RADIO

### Tuning Radio Stations

1. Press the STANDBY/FUNCTION button on unit or FUNCTION key on remote control to select FM or AM mode.
2. Tune to desired station by pressing the “NEXT/TUN.+“ or “BACK/TUN.-“ button on unit or pressing the TUN./SKIP SEARCH FORWARD/BACKWARD key on remote control, “STEREO” will show on the display if receive stereo stations.
3. Press the VOLUME UP/DOWN button on unit or remote control to desired volume level.
4. Extend FM TELESCOPIC ANTENNA to its full length if you are listening to FM broadcasting. Gently move the unit back and forth to get the best reception when you are listening to AM program, or place the unit in an open location.

**Note:** The radio function is initially set at ST mode, if the broadcasting program is too noisy when you are listening to FM stereo station, press MO/ST. button on remote to switch to MONO FM. When you are receiving FM stereo program, the display will show “STEREO”

5. To turn off the radio, press the STANDBY/FUNCTION button on unit or FUNTION key on remote control to choose the other functions or press STANDBY button to turn off the unit.

### Radio Station Memory Operation

You may pre-store 30 (AM and FM) radio stations in memory for your preference, so as you can listen to your desired station directly and quickly, no need to tune and search every time.

1. Press the STANDBY/FUNCTION button on unit or the FUNCTION key on remote control to select band (AM or FM), Tune into a station.

2. Press MEMORY button on remote, "P01" will flash on the display. Then press the "NEXT/TUN.+" or "BACK/TUN.-" button on unit or press the TUN./SKIP SEARCH FORWARD/BACKWARD key on remote control to select the first desired station.
  3. Press the MEMORY/FOLDER/10+ or MEMORY/FOLDER/10- key on remote to choose the desired sequence you want to store, and then press MEMORY key on remote control again to enter.
  4. Search another station, repeat steps (2) & (3) until all desired stations stored. Up to 30 stations can be programmed (10 for AM and 20 for FM).
  5. Press the MEMORY/FOLDER/10+ or MEMORY/FOLDER/10- key on remote to listen to the stored station directly.
- 

## USING THE CASSETTE

### Understanding the Buttons

**RECORD** - Press to record from the radio or CD/MP3/USB/AUX/BT player.

**PLAY** - Press to play cassettes.

**REWIND** - From stop mode, press to rewind the tape toward the beginning.

**F.FWD** - From stop mode, press to advance the tape toward the end.

**STOP/EJ.** - Press to stop current tape activity or to open the cassette compartment door when no buttons are active.

**PAUSE** - Press to interrupt tape play or record mode. Press the second time to resume tape play or tape record mode.

### Playing a Cassette Tape

1. Press the STANDBY/FUNCTION button on unit or the FUNCTION key on remote to TAP.
2. Press STOP/EJ. button to open the cassette compartment door.
3. Insert cassette tape into the player with the open edge facing up and the full reel on the right.
4. Close the door securely.
5. Press REWIND or F.FWD to move tape to the desired starting point.
6. Press PLAY button to begin playing the tape.
7. Adjust the volume to your desired listening level.

### Automatic Stop Feature

When the cassette deck is operating in play or record mode and the end of the tape is reached, the unit automatically shuts itself off and returns all buttons to the off position.

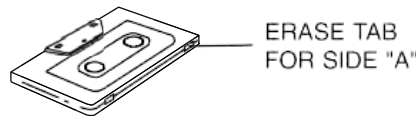
### Types of Cassettes

Use only good quality cassettes (IEC TYPE 1) for making recordings. May be used to replay other types of cassette but is unable to make proper recording on these more specialized tapes.

The use of C120 cassettes is NOT recommended in this machine.

## Protecting Recording

Normally, anything recorded on the tape is automatically erased when new recording is made. It is possible to protect your recording from accidental erasure by removing the tabs found on the rear of the cassette.

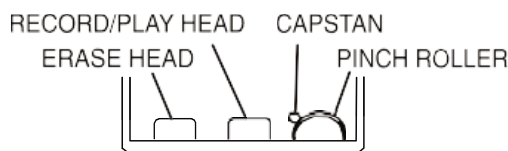


When the cassette is held with the recorded side upper-most and exposed tape facing the front, the protective tab will be found on the left rear of the cassette.

All pre-recorded cassettes are protected in this way to prevent accidental erasure of the commercial recording. "Protected" cassettes will prevent the record button from being operated. If at any time you attempt to record and find that this button will not depress, never force the mechanism or it may be damaged. Check that a cassette has been loaded and that tab has not been removed. Recording on a cassette from which the tabs have been removed can be done by covering the tab openings with a piece of adhesive tape.

## Care of a Cassette Mechanism

Gently clean the tape head and pinch wheel/capstan assemblies after every 10 hours of using the unit. A range of cassette care products are available.



The erase head and record/play head and the surface of the pinch roller are delicate and must not be touched with metal objects such as screwdrivers. You may find it easier to clean the assembly by pressing the PLAY button to bring the head and pinch roller into view. Be sure to press the STOP button after cleaning the mechanism.

Damage to the pinch wheel can occur if the unit is left in PLAY mode with the power switch off. Under no circumstances should you attempt to lubricate any part of the machine.

## Recording from the Radio

1. Load a blank tape into the tape compartment and close the door.
2. Press the STANDBY/FUNCTION button on unit or the FUNCTION key on remote to AM or FM mode. Tune to required station by rotating the TUNING KNOB.
3. Press RECORD key to begin recording. The RECORD key and PLAY key go down simultaneously.
4. Press STOP/EJ. key to end recording.
5. To hear what you recorded, follow instructions in PLAYING A CASSETTE TAPE.

**NOTE: PAUSE FOR A MOMENT** - Using the PAUSE key on the cassette deck instead of the STOP/EJ. key to momentarily interrupt recording gives you a much clearer recording.

## Radio Recording Tips

To temporarily pause the recording, press PAUSE key on the cassette deck. Press PAUSE key again to resume recording.

## CD/MP3/USB Recording

- A. Install a blank tape into cassette compartment.
- B. Press the STANDBY/FUNCTION button on unit or the FUNCTION key on remote to CD or USB mode. Load a disc into the disc compartment or insert a USB bar into the USB slot, start playback by pressing the CD PLAY/PAUSE/PAIR button.
- C. Press the RECORD BUTTON and PLAY BUTTON simultaneously to start recording. Press the STOP/EJ BUTTON lightly to end recording, or the unit will stop recording automatically while the tape reaches its end.
- D. To listen to the recording, press FUNCTION button to select "TAP" playing mode, then start tape playback.

---

---

## USING THE CD/MP3

### Discs for Playback

This system can playback all digital audio CD, MP3 finalized digital audio CD-Recordable (CD-R) discs, finalized digital audio CD-Rewritable (CD-RW) discs and CD-DA format digital audio CD/CD-R/CD-RW discs.

### Loading a Disc

1. Press the STANDBY/FUNCTION button on unit or the FUNCTION key on remote to CD mode.
2. Open the CD door. "OP" will be shown on the display.
3. Place an audio CD/MP3 into the tray with the label side facing up.
4. Close the CD door. The total number of tracks and the disc type will appear on the display after several seconds.
5. To remove the CD, press CD door PUSH OPEN/CLOSE to open CD compartment lid, grasp the CD by its edges, and carefully take it out.

### Note:

To ensure good system performance, wait until the disc tray completely reads the disc before proceeding.

If no disc loaded into the compartment or the disc is placed upside down or unreadable, the display will show "NO".

### Playing a Disc

1. The playback starts from track 1 automatically when reading the disc.
2. To pause playback, press PLAY/PAUSE/PAIR button on unit or on remote. The current playing track no. will flash on the display.

3. To resume playback, press PLAY/PAUSE/PAIR button on unit or on remote again.
4. To stop playback, press STOP button on unit or on remote, the total number of tracks will be showed on the display.

## Selecting a Desired Track/Passage

### To select a desired track

Press the NEXT/TUN.+ or BACK/TUN.- button on unit or the TUN./SKIP SEARCH FORWARD/BACWARD on remote respectively in stop mode or during playing until the desired track appears on the display. Press the PLAY/PAUSE/PAIR button on unit or on remote to start play.

### To search for a particular passage during playback (track scanning at high speed)

Press and hold the NEXT/TUN.+ or BACK/TUN.- button on unit or the TUN./SKIP SEARCH FORWARD/BACWARD on remote to scan the current playing track at high speed until desired point (passage) appears, then release the button for normal playback mode. Playback will start again from this point.

### To select a song which track number exceeds 10 (for MP3 disc only)

To select a song/track which number exceeds 10, press the MEMORY/FOLDER/10+ or MEMORY/FOLDER/10- key on the remote control each time to skip forward or backward 10 tracks, then press the NEXT/TUN.+ or BACK/TUN.- button on unit or the TUN./SKIP SEARCH FORWARD/BACWARD on remote to select desired track. For example: to select the 17<sup>th</sup> track from the 1<sup>st</sup> track, press MEMORY/FOLDER/10+ key on remote, and then press the NEXT/TUN.+ button on unit or the TUN./SKIP SEARCH FORWARD key on remote six times immediately.

### To select a desired folder (for an MP3 disc that contains more than one folder)

To select a desired folder during playback, press and hold the MEMORY/FOLDER/10+ or MEMORY/FOLDER/10- key on remote control to next/previous folder.

## Program Tracks

Programming tracks of disc are possible when playback is stopped. Up to CD 20 tracks /MP3 99 tracks can be stored in the memory in any order.

1. In stop mode, press the PROG. Key on remote, the "P" will flash and the **P01** indicator will be on.
2. Press the NEXT/TUN.+ button on unit or the TUN./SKIP SEARCH FORWARD on remote to select the first desired track to be programmed.
3. Press the PROG. Key on remote to enter. The display changes to show **P02**.
4. Repeat steps 2 & 3 to store other desired tracks until all tracks are programmed.
5. Press the PLAY/PAUSE/PAIR button to start playback from the first programmed track.
6. Press the STOP button to stop program playback.



## To Erase the Memory (Program)

To clear the program, you have two options:

1. Press the STOP button twice to erase the memory, or
2. Open the CD compartment lid, program will be erased.

## Repeat

You can play one track or all tracks on the disc repeatedly.

### To Repeat a Single Track

1. Press the P-MODE key on remote control once in play “↶” shows steadily on the display. The current track will be played over and over again till you press the STOP button.
2. To cancel repeat play, press P-MODE key on remote till the “↶” disappears from display.

### To repeat all the Tracks

1. Press P-MODE key on remote control till the “↷” shows steadily on the display, all tracks on the disc will be played over and over again till you press the STOP button.
2. To cancel repeat play, press the P-MODE key on remote till the “↷” disappears from the display.

### To repeat current Directory (for MP3 only)

1. Press P-MODE key on remote control till “↷ FOLDER” shows steadily on the display, the current directory will be played repeatedly until the STOP button is pressed.
2. To cancel repeat play, press the P-MODE key on the remote till the “↷ FOLDER” disappears from the display.

## Random Play

Press the P-MODE key on remote in play mode till the “RAND” shows steadily on the display, the random play will start from next track automatically or press CD skip forward button, until all tracks are played over and then stop. Press the P-MODE key on remote once to cancel.

---

---

## LISTENING TO USB PLAYBACK

1. Press the STANDBY/FUNCTION button on unit or the FUNCTION key on remote to USB mode.
2. Connect the USB to the USB INPUT. The LCD will show the total number of tracks stored in the USB. The playback starts from track 1 automatically after reading the USB.
3. Press the STOP button on unit or on remote to stop playing. The display will show total number of USB and STOP.
4. Proceed repeat play (repeat 1- repeat folder - repeat all)/program play/skip

up and back operation as the same described in above  
“CD/MP3OPERATION”.

### **CAUTION:**

- Do not use any USB extension cable for connecting the USB bar which may cause harmful interference

---

---

## **BLUETOOTH OPERATION**

1. Press the STANDBY/FUNCTION button to select the BLUETOOTH function, the LCD will flash “bt”, after connecting, “bt” will display on the LCD steadily.
2. Turn on the Bluetooth function on the device, scan the unit “EMERSON EPB-3002” and connect, input the password 0000 if required, then press Play to start playback.
3. Press the NEXT/TUN.+ or BACK/TUN.- button to choose the desired tracks.
4. Press the VOL.+/- button to adjust the volume to your desired level.
5. Press and hold the PLAY/PAUSE/PAIR button to disconnect Bluetooth.

---

---

## **SPECIFICATIONS**

### **GENERAL**

Power Requirement	DC IN 14V 2.5A DC 12V UM-1 x 8 PCS
Remote Handset	DC 3V 2 x UM-3 size batteries
Power consumption	40Watts
Dimensions	460mm (L) x 200mm (H) x342mm(W)
Operation temperature	+5° C - + 35°C

### **RECEIVER SECTION**

Receiving Bands	AM /FM ST.
Tuning Range	AM 520 - 1710KHz FM 87.5 -108 MHz

### **COMPACT DISC SECTION**

Optical Pickup	3-Beam Laser Frequency
Response	100Hz –16KHz

### **CASSETTESECTION**

Recording System	2 Tracks 2channel (Stereo)
Biasing System	DC bias
Frequency Response	125 –6.3 KHz
Wow and Flutter	0.35 %WRMS (JIS)

## **AUDIOSECTION**

Power output	Max. 5 Wattsx2
Woofer Power output	Max. 10Watts

## **ACCESSORIES**

Instruction Booklet	1
Remote Sensor	1
Adapter	1

**Note:** Product is improved continuously. We reserve the right to modify the product and specifications without prior notice.



# Manual de Operación

**REPRODUCTOR PORTATIL  
INALAMBRICO/CD/MP3/USB CON RADIO  
AM/FM PLL Y REPRODUCTOR DE CASETE**

**MODELO: EPB-3002**



## **IMPORTANTE**

Favor de leer el manual completamente antes de operar este producto. Conservar el manual para futuras referencias.

## **Agradecimiento**

Sabemos que usted tiene muchas opciones cuando se trata de tecnología; gracias por elegir los productos de Naxa Electronics, Inc.. Fundada en 2001 en Los Ángeles, California, estamos dedicados a ofrecer productos que entretienen y satisfacen sus necesidades.

Confiamos en que usted será feliz con su compra. Favor, de leer atentamente este manual y guárdelo para futura referencia. Usted también puede encontrar las preguntas más frecuentes, documentación y otro material del producto en nuestro sitio web. Venga a visitarnos en [www.emersonaudio.com](http://www.emersonaudio.com) y ver todo lo que tenemos para ofrecer

## **Contenido en el empaque**

Favor de tomar unos momentos para asegurarse de que se tiene todo lo que se enlista abajo. Aunque hacemos todo lo posible para asegurarnos de que cada dispositivo Naxa esté bien empacado y sellado, sabemos que pueden pasar muchas cosas durante el empacado y transporte. Si falta algún componente, acudir inmediatamente con el proveedor para obtener asistencia inmediata. Favor de contactar al equipo de soporte en [www.emersonaudio.com\\_support](http://www.emersonaudio.com_support)

- Reproductor Portátil EPB-3002
- Adaptador de corriente
- Control remoto
- Manual de operación

## **SOPORTE**

Si tiene problemas con la operación del reproductor, favor de consultar las instrucciones en este manual, así como las últimas noticias, recomendaciones y documentación que puede encontrar en nuestra página web [www.emersonaudio.naxa.com](http://www.emersonaudio.naxa.com). Si necesita asistencia futura, favor de contactar al centro de servicio autorizado o soporte técnico autorizado.



<http://www.emersonaudio.com>

Hecho en China

## INDICE

Agradecimiento	2
Contenido en el empaque	2
Soporte	2
Advertencias y precauciones	4
Importante información de seguridad	5 – 8
Descripción de partes – Reproductor portátil	9 – 10
Descripción de partes – Control remoto	10
Operación del control remoto	11
Fuente de alimentación	11
Operación con adaptador de corriente	11
Operación con baterías	11
Funciones Básicas	11
Encender / Apagar	11
Control de volumen	11
Sonidos graves	12
Entrada auxiliar	12
Operación del Radio	12
Sintonía	12
Almacenamiento de estaciones en memoria	12
Operación del Casete	13
Reproducción	13
Grabación CD/MP3/USB	15
Operación de CD/MP3	15
Discos reproducibles	15
Cargando un disco	15
Reproducción del disco	15
Selección de un punto deseado	16
Programación de la reproducción	16
Borrar programa de memoria	17
Repetición de la reproducción	17
Reproducción al azar	17
Operación USB	17 – 18
Operación Bluetooth®	18
Especificaciones	18 – 19

## Advertencias y Precauciones


	<b>PRECAUCIÓN</b> RIESGO DE CHOQUE ELÉCTRICO, NO ABRIR	
<p><b>PRECAUCIÓN:</b> PARA REDUCIR EL RIESGO DE CHOQUE ELECTRICO NO REMOVER LA CUBIERTA (O TAPA), DENTRO DE ESTE APARATO NO HAY PARTES QUE EL USUARIO PUEDA DARLE SERVICIO, ACUDIR A UN CENTRO DE SERVICIO AUTORIZADO O CON PERSONAL CALIFICADO.</p>		



El símbolo del relámpago con punta de flecha dentro de un triángulo, es diseñado para advertir al usuario de voltajes peligrosos no aislados dentro del producto que pueden ser de magnitud suficiente para constituir riesgo de fuego o choque eléctrico para las personas.



El símbolo de exclamación dentro de un triángulo, es para alertar al usuario de la presencia de instrucciones importantes de operación, mantenimiento y servicio que se encuentran dentro de este instructivo

<b>PRODUCTO LASER CLASE 1</b>		
<b>CLASS 1 LASER PRODUCT</b> APPAREIL LASER DE CLASSE 1 PRODUCTO LASER DE CLASE 1	<b>PRECAUCION:</b> RADIACION LASER INVISIBLE AL ABRIR Y LIBERAR LOS SEGUROS. EVITAR LA EXPOSICION AL RAYO LASER	
Este producto contiene un dispositivo láser de bajo poder		


### Protección contra la exposición a la energía láser.

- El láser usado en este reproductor es dañino para los ojos, por lo tanto, no intentar desensamblarlo para prevenir la exposición a la radiación láser invisible.
- Detener la operación inmediatamente si se ha derramado líquido o algún objeto sólido cae en el interior del reproductor.
- No tocar o presionar el lente láser. Esto puede dañarlo provocando que el reproductor no opere adecuadamente.
- No colocar nada en las ranuras de seguridad. Esto puede activar la radiación láser al abrir la puerta del compartimiento del disco y provocar exposición a la radiación láser invisible
- Si el reproductor no va ser usado por un periodo largo de tiempo, desconectar las fuentes de alimentación. Remover las baterías del compartimiento y/o desconectar el cordón de alimentación del tomacorriente.
- Este reproductor usa un lente láser. El uso de controles, ajustes o procedimiento diferentes a los especificados en el manual pueden resultar en exposición a radiación láser peligrosa.

## Precaución

- No bloquear las ranuras de ventilación.
- No colocar fuentes generadoras de flama (como velas, veladoras, etc.) sobre la unidad.
- Al desechar las baterías seguir las reglas de desechos sólidos de su localidad para evitar daños al medio ambiente.
- Radiación láser invisible peligrosa al abrir y liberar los seguros. Evitar la exposición a la radiación láser.
- Para prevenir riesgo de fuego o choque eléctrico no exponer esta unidad al goteo o salpicadura de agua, a la lluvia o humedad.

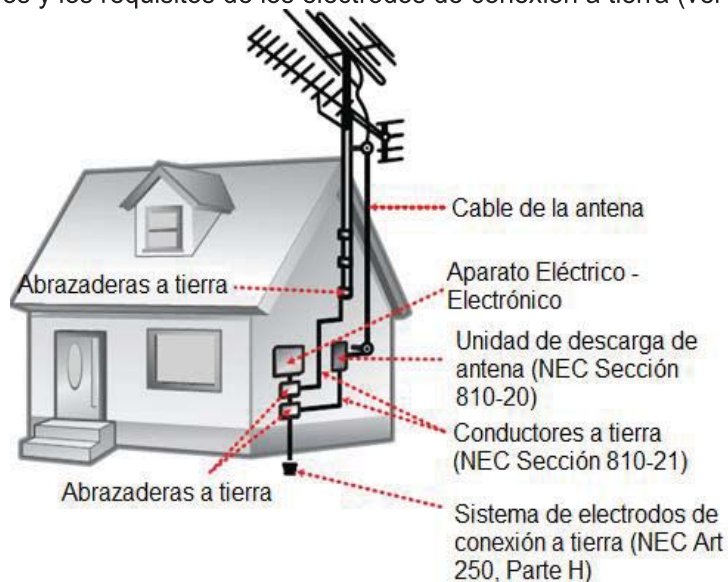
## Importante Información de Seguridad

1. Leer las instrucciones. Deben leerse todas las instrucciones de operación y de seguridad antes de operar este producto.
2. Conservar las instrucciones. Deben conservarse las instrucciones de operación y seguridad para futuras referencias.
3. Poner atención a las advertencias. Todas las advertencias en el producto y las instrucciones de operación y seguridad deben de respetarse.
4. Seguir las instrucciones. Deben seguirse todas las instrucciones de uso y operación.
5. Limpieza. Desconectar el cordón de alimentación del tomacorriente antes de darle mantenimiento o limpieza al reproductor. Limpiar con una tela, suave, limpia y seca, No usar limpiadores líquidos o en aerosol.
6. Accesorios. Usar solo accesorios/refacciones recomendados por el fabricante.
7. Agua y humedad. No usar este producto cerca del agua, por ejemplo, cerca de una bañera, lavabo, fregadero de cocina o de lavar, sótanos húmedos o cerca de una piscina.
8. Manejo y desplazamiento. No colocar este producto en un carrito, plataforma, repisa o mesa inestables, el producto puede caerse generando serias lesiones y daños a las personas y/o al producto. Usar este producto solo con el carrito, plataforma, repisa o mesa recomendado por el fabricante o vendido con el producto. La combinación del producto y de un carrito debe moverse con cuidado. Las paradas repentinas, fuerza excesiva y las superficies desniveladas pueden generar que el producto y el carrito se vuelquen. 
9. Ventilación. Las ranuras y aberturas en la parte posterior y posterior del gabinete son provistas para la ventilación y asegurar la buena operación del producto y protegerlo del sobrecalentamiento. No deben bloquearse o taparse estas aberturas, colocando el producto sobre una cama, sofá alfombra u otra superficie similar. El producto no debe colocarse cerca o sobre un radiador o fuentes de calor. Este producto no debe colocarse en un librero o estante que impida el flujo del aire a través de las ranuras de ventilación.
10. Fuentes de alimentación. Este producto debe ser operado solo con los tipos de fuentes de alimentación indicados en la etiqueta de marcado, si no está seguro del tipo de la fuente de poder de su casa, consultar con su proveedor o con la compañía de electricidad local. Para producto diseñados para operar con baterías u otras fuentes, referirse al manual de operación.
11. Terminal de tierra y polarización. No eliminar la característica de seguridad de



una clavija polarizada o clavija con terminal a tierra, esta es una medida de seguridad. Una clavija polarizada cuenta con dos terminales con una terminal más ancha que la otra. Una clavija con terminal a tierra cuenta con dos terminales con una tercera terminal con conexión a tierra. Si la clavija no entra completamente en el tomacorriente, intentar meterla nuevamente volteándola; si tampoco entra completamente consultar a un electricista o personal calificado para reemplazar el tomacorriente obsoleto.

12. Protección del cordón de alimentación. El cordón de alimentación debe colocarse de forma tal que no exista probabilidad de pisarlo o apretarlo sobre los lugares donde será colocado o contra el producto mismo. Poner atención particular en el cordón, la clavija, el tomacorriente y en los puntos en donde estos salen del producto.
13. Clavija con protección. Este producto puede contar con una clavija con protección contra sobrecarga. Esta es una característica de seguridad. Ver las instrucciones de operación para reemplazar o restablecer el dispositivo de protección. Si requiere reemplazar la clavija, asegurarse que se use una clavija con protección contra sobrecarga original y de las mismas características de acuerdo a lo especificado por el fabricante.
14. Antena exterior. Si una antena exterior es conectada en el producto, asegurar de que el sistema de antena es puesto a tierra para proveer protección contra sobre voltaje y cargas de corriente estática acumulada. La sección 810 del NEC (National Electrical Code), ANSI/NFPA 70, Provee información respecto a la apropiada puesta a tierra del poste y la estructura de soporte, cables principales, productos de descarga de la antena, tipos de conductores a tierra, localización de los puntos de descarga de la tierra, conexión a tierra de los electrodos y los requisitos de los electrodos de conexión a tierra (ver figura).



15. Tormentas eléctricas o periodos sin uso. Desconectar este producto del tomacorriente durante tormentas eléctricas o cuando va ser usado por un periodo largo de tiempo para protegerlo. También desconectar la antena exterior o el sistema de cable. Esto protege al producto de daños debido a los rayos o sobre líneas de poder.
16. Líneas de poder. No debe de colocarse un sistema de antena exterior cerca

de las líneas eléctricas aéreas, luces o circuitos eléctricos, o donde pueda caer sobre dichas líneas eléctricas o circuitos. Al instalar un sistema de antena exterior, tener mucho cuidado de no tocar las líneas o circuitos eléctricos, el contacto con ellos puede resultar fatal.

17. Sobrecarga. No sobrecargar los tomacorrientes, cordones de extensión y los receptáculos ya que pueden generar riesgo de fuego o choque eléctrico.
18. Entrada de objetos y líquidos. No introducir objetos de cualquier tipo dentro de este producto a través de las ranuras o aberturas, estos pueden llegar a tocar puntos de voltaje peligroso o salidas que pueden resultar en riesgo de fuego o choque eléctrico. No derramar o rociar cualquier tipo de líquido sobre las ranuras de ventilación del producto.
19. Servicio. No intentar dar servicio usted mismo a este producto, abriendo o removiendo las cubiertas, puede exponerse a voltajes peligrosos u otros riesgos.
20. Daños que requieren servicio. Desconectar el producto del tomacorriente de pared y acudir a un centro de servicio autorizado o con personal calificado bajo las siguientes condiciones
  - a) Cuando la clavija o el cordón de alimentación estén dañados.
  - b) Cuando ha sido derramado líquido o han caído objetos en el interior del producto.
  - c) Si el producto ha sido expuesto a la lluvia o agua.
  - d) Si el producto no opera adecuadamente siguiendo las instrucciones de operación. Ajustar solo los controles que son indicados en este manual de operación. El ajuste de otros controles puede ocasionar daños y a menudo se requiere de trabajo excesivo del servicio técnico para restablecer la operación normal del producto.
  - e) Si el producto se ha caído o golpeado o si la cubierta está dañada.
  - f) Si el producto exhibe cambios en su funcionamiento normal.Todo lo anterior indica la necesidad de darle servicio al producto.
21. Reemplazo de partes. Cuando es necesario el reemplazo de partes, asegurarse que el servicio técnico use partes especificadas por el fabricante o que tengan las mismas características que las partes originales. El reemplazo de partes no autorizadas puede resultar en fuego, choque eléctrico u otros riesgos.
22. Verificar las medidas de seguridad. Una vez que se ha completado cualquier tipo de servicio o reparación a este producto, solicitar al técnico de servicio que realice las pruebas de seguridad para poder determinar que el producto está en condiciones apropiadas de operación.
23. Colocación en la pared o techo. El producto debe de colocarse en la pared o techo de acuerdo a como lo especifica el fabricante.
24. Calor. El producto debe colocarse lejos de fuentes de calor como radiadores, registros de calor, estufas u otros productos que producen calor (incluso amplificadores).

## **NOTICIA FCC**

Este dispositivo cumple con la parte 15 de las reglas FCC. La operación del aparato está sujeta a las dos siguientes condiciones: (1) Este aparato no puede causar interferencia perjudicial y (2) este aparato debe aceptar cualquier interferencia recibida, incluyendo interferencias que puedan causar un funcionamiento no deseado.

Nota: Este dispositivo ha sido probado y cumple con las limitaciones de un equipo digital Clase B, de acuerdo con la Parte 15 de las Normas FCC. Estos límites están diseñados para permitir una protección razonable contra interferencia dañina en una instalación residencial. Este equipo genera, usa y puede emitir energía de frecuencia radial y, de no ser instalado y utilizado de acuerdo con las instrucciones, puede causar interferencia dañina a las comunicaciones radiales. Sin embargo, no existe garantía de que la interferencia no pueda ocurrir en una instalación particular. Si este equipo causa una interferencia dañina a la recepción de la radio o la televisión, lo cual se puede determinar encendiendo y apagando el equipo, se recomienda al usuario tratar de corregir la interferencia mediante una o más de las siguientes medidas:

- Orientar nuevamente o reubicar la antena receptora.
- Aumentar la separación entre el equipo y el receptor.
- Conectar el equipo a una salida de un circuito diferente al receptor.
- Consultar a su proveedor o a un técnico de Radio y televisión.

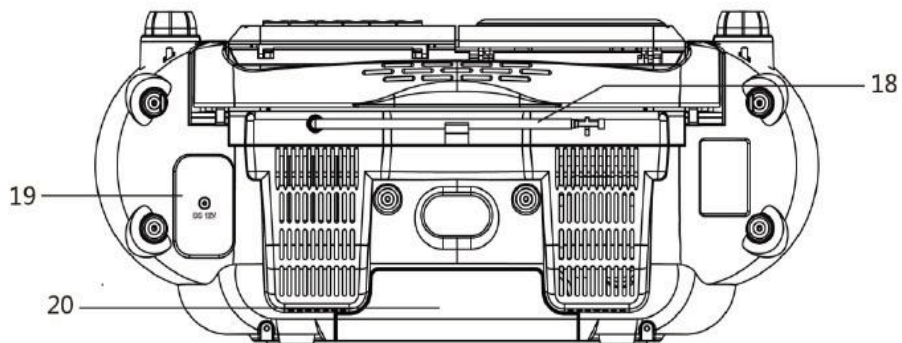
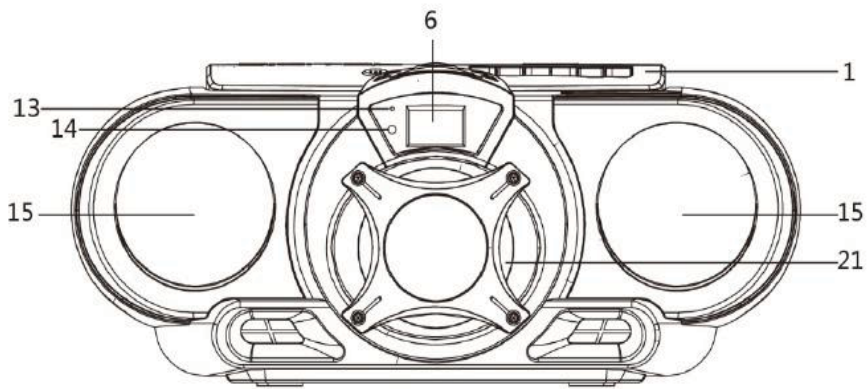
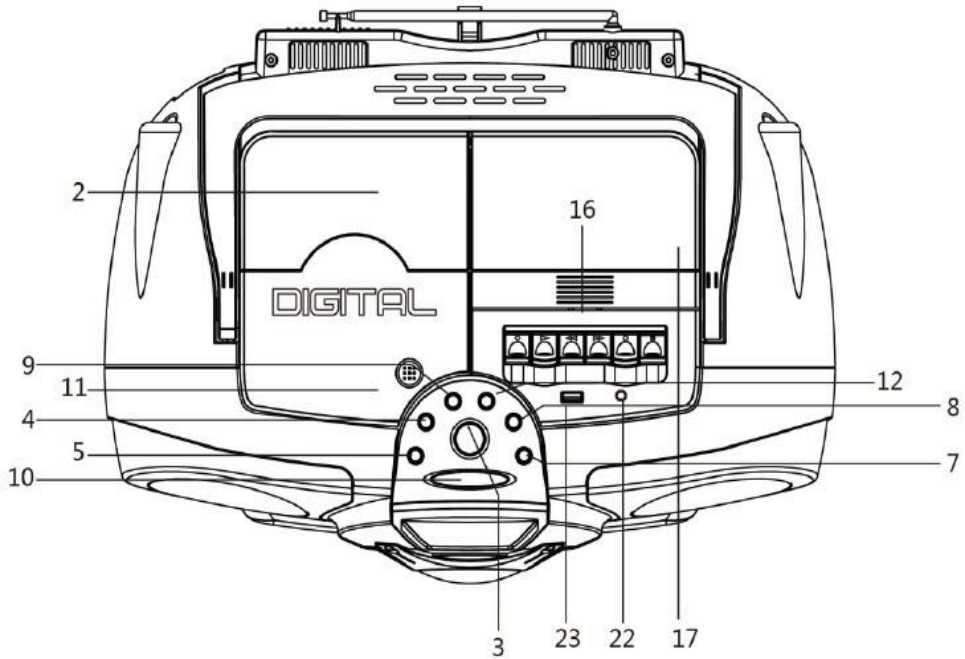
## **PRECAUCION SOBRE MODIFICACIONES**

Cualquier cambio o modificación no expresamente aprobada por la parte responsable del cumplimiento puede anular la autoridad del usuario para operar este reproductor.

## **ADVERTENCIA**

Este producto contiene plomo, una sustancia química que en algunos países se conoce como causante de cáncer, defectos de nacimiento u otros daños reproductivos. **Lavarse las manos después de operarlo.**

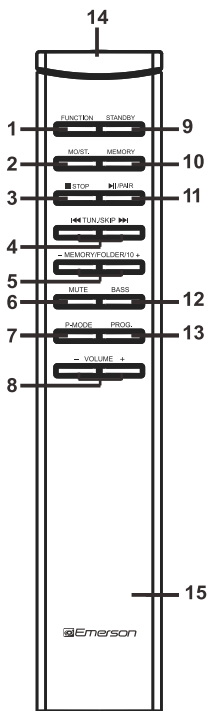
# DESCRIPCION DE PARTES – REPRODUCTOR PORTATIL



## DESCRIPCION DE PARTES – REPRODUCTOR PORTATIL

- |   |  |
|---|--|
| 1. Asa retráctil  | 12. Botón de aumentar volumen “VOL+”   |
| 2. Compartimiento del Disco Compacto “CD”                 | 13. Indicador de Espera “STAND BY”   |
| 3. Interruptor / Función “STAND BY/FUNCTION”              | 14. Sensor Infrarrojo  |
| 4. Botón de Anterior / Sintonía – “◀/TUN-“                | 15. Bocinas  |
| 5. Botón de Detener CD “■”                                | 16. Botones del casete (Grabar, Reproducir, Regreso, Avance, Detener-Expulsar, Pausar) |
| 6. Pantalla de cristal líquido                            | 17. Compartimiento del casete  |
| 7. Botón de Reproducir/Pausar / Sincronía CD “▶    /PAIR” | 18. Antena telescópica de FM   |
| 8. Botón de Siguiete / Sintonía + “▶▶/TUN+”               | 19. Conector de entrada de Vcc   |
| 9. Botón de disminuir volumen “VOL-“                      | 20. Compartimiento de las baterías   |
| 10. Botón de sonidos graves “BASS”                        | 21. Woofer   |
| 11. Área para abrir puerta del CD                         | 22. Conector de Entrada Auxiliar   |
|   | 23. Puerto USB   |

## DESCRIPCION DE PARTES – CONTROL REMOTO



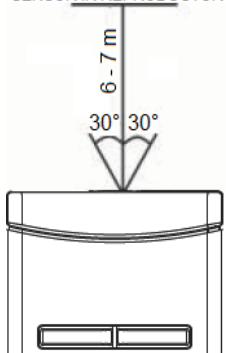
1. Botón de Función “FUNCTION”
2. Botón de Monoaural/Estéreo “MO/ST”
3. Botón de Detener “■”
4. Botones de Sintonía / Saltar “◀/TUN-“, “▶▶/TUN+”
5. Botón de Memoria / Carpeta / 10+/- “MEMORY/FOLDER/10+/-“
6. Botón de Silencio “MUTE”
7. Botón de Modo de Programa “P-MODE”
8. Botones de Volumen “VOL-“, “VOL+”
9. Botón de Encender/Apagar “STAND BY”
10. Botón de Memoria “MEMORY”
11. Botón de Reproducir/Pausar / Sincronía “▶ || /PAIR”
12. Botón de Sonidos Graves “BASS”
13. Botón de Programa “PROG”
14. Transmisor Infrarrojo
15. Compartimiento baterías

## INSTALACION DE LAS BATERIAS

- Remover la tapa del compartimiento de las baterías.
- Insertar 2 baterías de 1,5 Vcc tamaño “AA” o equivalentes (no incluidas), verificando la correcta polaridad cómo se observa en el interior del compartimiento. Recomendamos el uso de baterías alcalinas.
- Colocar la tapa del compartimiento de las baterías nuevamente.

## OPERACIÓN DEL CONTROL REMOTO

SENSOR IR REPRODUCTOR



Para operar la unidad con el control remoto, apuntar directamente el control remoto al sensor infrarrojo localizado en la parte frontal de la unidad y presionar el botón apropiado en el control remoto.

El control remoto opera adecuadamente dentro de una distancia máxima de 6 a 7 metros y con un ángulo de 30° a la izquierda y derecha con respecto al sensor infrarrojo.

Los rayos del sol y los cuartos con mucha luminosidad pueden interferir con la operación del control remoto. Si la operación del control remoto es insatisfactoria o si deja de operar completamente, reemplazar las baterías primero, entonces intentar reducir la intensidad luminosa del cuarto.

## FUENTES DE ALIMENTACIÓN

El reproductor está diseñado para operar con una fuente de alimentación de Vcc (adaptador de corriente o baterías)

### Operación con Adaptador de Corriente

Insertar el conector de salida del adaptador de corriente incluido en el conector de Entrada de Vcc del reproductor, entonces conectar el adaptador al tomacorriente. Si hay baterías en el compartimiento, estas son desconectadas automáticamente.

### Operación con Baterías

Remover la tapa del compartimiento de las baterías. Insertar 8 baterías de 1,5 Vcc tamaño "UM-1/D" o equivalentes (no incluidas), verificando la correcta polaridad cómo se observa en el interior del compartimiento. Recomendamos el uso de baterías alcalinas. Colocar la tapa del compartimiento de las baterías nuevamente.

**Precaución:** remover las baterías si están agotadas o no van a ser usadas por un periodo largo de tiempo, para prevenir daños por fuga de ácido. Las baterías contienen sustancias químicas, deben desecharse adecuadamente de acuerdo con las leyes locales para evitar daños al medio ambiente.

## FUNCIONES BASICAS

### Encender / Apagar

Presionar "STAND BY/FUNCTION" en el reproductor o "STAND BY" en el control remoto para Encender o Apagar el reproductor. Después de Encender el reproductor, presionar "STAND BY/FUNCTION" en el reproductor o "FUNCTION" en el control remoto para seleccionar la función deseada de Radio AM o FM, Bluetooth®, Casete, Disco Compacto o USB.

### Control de Volumen

Presionar "VOL-", "VOL+" en el reproductor o control remoto para ajustar el volumen al nivel deseado.

Presionar "MUTE" en el control remoto para desactivar la salida de audio (silencio), presionar "MUTE" nuevamente para volver a activar la salida de audio.

## Sonidos graves

Presionar "BASS" para Activar o Desactivar los sonidos graves en el reproductor. Los sonidos graves son sonidos con rangos de frecuencia bajos. Cuando los sonidos graves están activados, el reproductor aumenta la salida de audio de las frecuencias bajas.

## Entrada auxiliar

El reproductor cuenta con un conector de entrada auxiliar de Ø 3.5 mm, a través de este conector otros dispositivos de audio externos pueden conectarse a la unidad para amplificar la salida.

1. Presionar "STAND BY/FUNCTION" en el reproductor o "STAND BY" en el control remoto para seleccionar el modo de Bluetooth®.
2. Conectar un extremo del cable de audio (no incluido) al conector de entrada auxiliar de la unidad y conectar el otro extremo del cable de audio al conector de salida de audio del dispositivo externo. El reproductor cambia automáticamente al modo de Entrada Auxiliar
3. Ajustar el volumen del reproductor al nivel deseado.
4. Presionar "REPRODUCIR" en el dispositivo de audio externo (por ejemplo, reproductor MP3, MP4, etc.) para iniciar la reproducción. El control de la reproducción es a través de los controles del dispositivo de audio externo

## OPERACIÓN DEL RADIO

### Sintonía

1. Presionar "STAND BY/FUNCTION" en el reproductor o "STAND BY" en el control remoto para seleccionar el modo de Radio AM o FM.
2. Para sintonizar la estación de Radio deseada, presionar "◀/TUN-" o "▶/TUN+" para sintonizar paso a paso, la pantalla despliega "STEREO" si la frecuencia de la estación sintonizada es de FM estéreo. Presionar y sostener "◀/TUN-" o "▶/TUN+" para que la unidad escanee a la estación anterior o siguiente con señal fuerte.
3. Presionar "VOL-", "VOL+" en el reproductor o control remoto para ajustar el volumen al nivel deseado.
4. Extender la antena telescópica completamente y direccionarla para lograr una mejor sintonía de las estaciones de radio, al sintonizar una estación de FM estéreo. Para optimizar la recepción al sintonizar estaciones en AM, girar suavemente el reproductor alrededor de su posición o colocarlo en un área abierta.  
**Nota:** El modo de Radio esta inicialmente ajustado para operar en estéreo, si la estación sintonizada tiene mucho ruido, presionar "MO/ST" para cambiar al modo monoaural.
5. Para apagar el Radio, presionar "STAND BY/FUNCTION" en el reproductor o "FUNCTION" en el control remoto para seleccionar otro modo de operación, o presionar "STAND BY" en el control remoto.

### Almacenamiento de estaciones en memoria

Se puede almacenar hasta 30 estaciones de Radio AM o FM en memoria para sintonizarlas en el orden deseado de forma directa y rápida.

1. Presionar "STAND BY/FUNCTION" en el reproductor o "STAND BY" en el control remoto para seleccionar el modo de Radio AM o FM.
2. Presionar "◀/TUN-" o "▶/TUN+" para sintonizar la estación deseada. Presionar "MEMORY" en el control remoto, en la pantalla destella "P01".
3. Presionar "MEMORY/FOLDER/10-" o "MEMORY/FOLDER/10+" para seleccionar la memoria de almacenamiento. Presionar "MEMORY" nuevamente para almacenar la estación en la memoria seleccionada.
4. Para almacenar las demás estaciones, repetir los pasos 2 y 3 hasta almacenar las estaciones deseadas. Hasta 30 estaciones pueden ser almacenadas (10 en AM y 20 en FM).
5. Presionar "MEMORY/FOLDER/10-" o "MEMORY/FOLDER/10+" para seleccionar una estación almacenada en memoria directamente.

## Operación del Casete

### Función de los Botones del Casete

**Grabar "●"**: Presionar para iniciar la grabación del Radio, CD/MP3, Entrada Auxiliar, USB

**Reproducir "▶"**: Presionar para iniciar la reproducción del casete.

**Regreso rápido "◀◀"**: En el modo detenido, presionar para regresar la cinta rápidamente.

**Avance rápido "◀◀"**: En el modo detenido, presionar para avanzar la cinta rápidamente.

**Detener/Expulsar "■ ▲"**: Presionar para detener la actividad actual del casete o para abrir el compartimiento del casete cuando no hay ningún botón activado.

**Pausa "||"**: Presionar para pausar la reproducción o grabación, presionar nuevamente para continuar con la reproducción o grabación.

### Reproducción

1. Presionar "FUNCTION/STAND BY" en el reproductor o "FUNCTION" en el control remoto para seleccionar el modo de operación de Casete "TAPE".
2. Presionar "■/▲" para abrir el compartimiento del casete.
3. Insertar un casete en el compartimiento con el lado abierto hacia arriba y con el carrete con la cinta del lado izquierdo. Asegurarse de no tocar con los dedos la cinta del casete.
4. Cerrar el compartimiento del casete suavemente.
5. Presionar "◀◀" o "▶▶" para avanzar o regresar la cinta rápidamente hasta un punto deseado.
6. Presionar "▶" para iniciar la reproducción de la cinta.
7. Presionar "VOL-" o "VOL+" en el reproductor o control remoto para ajustar el volumen al nivel deseado.
8. Presionar "||" para pausar la reproducción momentáneamente, presionar "||" nuevamente para continuar la reproducción.
9. Presionar "■/▲" para detener la reproducción, presionar "■/▲" nuevamente para expulsar el casete.

### Característica de Detección Automática

Cuando el casete está en modo de reproducción o grabación, y la cinta llega al final, el mecanismo se detiene y apaga automáticamente, regresando todos los botones a la posición de desactivados.

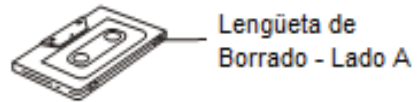


## Tipos de Casete

Usar solo casetes de alta calidad (IEC TYPE 1) para realizar grabaciones. Para reproducir pueden usarse otros tipos de casetes, pero esto no habilita la posibilidad para realizar grabaciones apropiadas en estas cintas más especializadas. El uso de casetes de 120 minutos "C120" no es recomendable.

## Protección contra Borrado

Normalmente cualquier cinta de un casete se borra automáticamente al realizar una nueva grabación. Para proteger una grabación de cualquier borrado accidental, remover las lengüetas localizadas en la parte de abajo del casete.

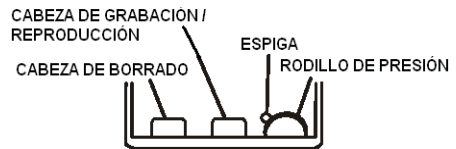


Cuando el casete es sostenido con el lado superior hacia arriba y la cinta hacia el frente, la lengüeta de protección de ese lado se localiza en el lado izquierdo de la parte de abajo del casete.

Todos los casetes pregrabados son protegidos de esa manera para evitar el borrado accidental de la grabación comercial. Un casete protegido contra borrado no permite que el botón de grabación "●" pueda operar. Si en algún momento desea grabar y no puede operar el botón de grabación, no forzar el mecanismo ya que puede dañarse. Verificar que un casete ha sido colocado y que las lengüetas de grabación no han sido removidas. Para grabar en un casete donde las lengüetas se han removido, puede realizarse cubriendo las aberturas donde estaban las lengüetas con un pedazo de cinta adhesiva.

## Cuidado del Mecanismo del Casete

Limpiar suavemente las cabezas de reproducción/grabación, de borrado, el rodillo de presión y la espiga después de cada 10 horas de uso de la unidad de casete. Una gran variedad de productos para el cuidado del casete hay disponibles.



Las cabezas de borrado y de reproducción/grabación y la superficie del rodillo de presión son delicadas y estos no deben de tocarse con objetos de metal como desarmadores. Para limpiar más fácilmente estos elementos, presionar "▶" para tener más fácil acceso a las cabezas y al rodillo. Asegurarse de presionar "■/▲" después de limpiar el mecanismo.

El mecanismo puede sufrir daños si la unidad es dejada en el modo de reproducción, cuando el aparato se encuentra apagado. Bajo ninguna otra circunstancia intentar lubricar cualquier otra parte del mecanismo

## Grabación de un Casete

### Grabación desde el Radio

1. Cargar un casete con la cinta en blanco en el compartimiento del casete.
2. Presionar "FUNCTION/STAND BY" en el reproductor o "FUNCTION" en el control remoto para seleccionar el modo de Radio AM o FM. Sintonizar la estación deseada.
3. Presionar "●" y "▶" simultáneamente para iniciar la grabación en el casete.
4. Presionar "■▲" para detener la grabación. o esperar a que la grabación se detenga automáticamente cuando la cinta llega al final
5. Para escuchar la grabación, ver REPRODUCCION DEL CASETE.

**Nota:** Presionar “ || ” para pausar la grabación momentáneamente, presionar “ || ” nuevamente para continuar la grabación.

### **Grabación desde un CD/MP3, USB**

1. Cargar un casete con la cinta en blanco en el compartimiento del casete.
2. Presionar “FUNCTION/STAND BY” en el reproductor o “FUNCTION” en el control remoto para seleccionar el modo de CD o USB. Cargar un disco en el compartimiento para disco o insertar una memoria USB en el puerto USB, iniciar la reproducción presionando “ ▶ || /PAIR”
3. Presionar “ ● ” y “ ▶ ” simultáneamente para iniciar la grabación en el casete. Presionar “ ■ ▲ ” para detener la grabación o esperar a que la grabación se detenga automáticamente cuando la cinta llega al final.
4. Para escuchar la grabación, presionar “FUNCTION/STAN BY” en el reproductor o “FUNCTION” en el control remoto para seleccionar el modo de operación de Casete “TAPE”, entonces iniciar la reproducción del casete.

## **OPERACIÓN DEL CD/MP3**

### **Discos Reproducibles**

Este producto puede reproducir discos de audio digital CD, MP3, discos grabables (CD-R), discos regrabables de audio digital (CD-RW) y discos CD-DA de audio digital CD/CD-R/CD-RW.

### **Cargando un Disco**

1. Presionar “FUNCTION/STAND BY” en el reproductor o “FUNCTION” en el control remoto para seleccionar el modo de CD.
2. Abrir el compartimiento del disco y la pantalla despliega “OP”
3. Colocar un disco de audio CD/MP3 en la bandeja con la etiqueta hacia arriba.
4. Cerrar el compartimiento del disco. Después de unos segundos la pantalla despliega el número total de pistas del disco.
5. Para remover el disco, detener la reproducción del disco y esperar que deje de girar, presionar el área para abrir el compartimiento, sujetar el disco por el borde y removerlo cuidadosamente.

### **Notas:**

- Para asegurar una buena operación del sistema, esperar a que el reproductor lea completamente el disco antes de iniciar la reproducción del mismo.
- Si no hay ningún disco colocado en el compartimiento o el disco está colocado mal, la pantalla despliega “NO”.

### **Reproducción del Disco**

1. La reproducción del disco inicia automáticamente después de terminar de leer el disco.
2. Durante la reproducción, presionar “ ▶ || /PAIR” para pausarla y el número de la pista destella en la pantalla.
3. Presionar “ ▶ || /PAIR” nuevamente para volver a la reproducción desde el punto donde se pauso.
4. Durante la reproducción, presionar “ ■ ” para detener la reproducción y la pantalla despliega el número total de pistas del disco.

### **Selección de una pista deseada**

Presionar “◀◀/TUN-” o “▶▶/TUN+” continuamente en el modo detenido o de reproducción hasta que el número de la pista deseada se despliega en la pantalla. Presionar “▶ || /PAIR” para iniciar la reproducción de la pista seleccionada.

### **Selección de un punto específico en una pista**

Presionar y sostener “◀◀/TUN-” o “▶▶/TUN+” durante la reproducción de una pista para buscar un punto específico dentro de la pista hacia atrás o hacia delante a alta velocidad hasta encontrar el punto deseado, entonces liberar el botón para continuar la reproducción desde el punto encontrado.

### **Selección de una pista mayor a 10 (Para discos MP3 solamente)**

Para seleccionar un número de pista mayor a 10, presionar “MEMORY/FOLDER/10-” o “MEMORY/FOLDER/10+” en el control remoto cada vez que desea saltar 10 pistas hacia delante o hacia atrás, entonces presionar “◀◀/TUN-” o “▶▶/TUN+” para seleccionar la pista deseada. Por ejemplo, para seleccionar la pista 17, presionar “MEMORY/FOLDER/10+” y entonces presionar “▶▶/TUN+” seis veces.

### **Selección de una carpeta (para discos MP3 que contienen más de una carpeta)**

Para saltar a la carpeta deseada durante la reproducción, presionar y sostener “MEMORY/FOLDER/10-” o “MEMORY/FOLDER/10+” para saltar a la carpeta siguiente o anterior.

### **Programación de la Reproducción**

Es posible programar en orden deseado la reproducción de las pistas en el modo detenido. Pueden almacenarse en memoria hasta 20 pistas para un disco normal y 99 pistas para un disco MP3.

1. En el modo detenido, presionar “PROG”, el indicador de programa “P” empieza a destellar y despliega en la pantalla “P01”.
2. Presionar “◀◀/TUN-” o “▶▶/TUN+” para seleccionar el número de la pista deseada a programar.
3. Presionar “PROG” nuevamente para almacenar en memoria la pista seleccionada y el indicador en la pantalla cambia a “P02”.
4. Repetir los pasos 2 y 3 para almacenar las demás pistas.
5. Presionar “▶ || /PAIR” para iniciar la reproducción del programa a partir la primera pista del programada.
6. Presionar “■” para detener la reproducción del programa.

### **Borrar el programa de memoria**

Para borrar el programa de reproducción de memoria hay dos formas:

1. Presionar “■” dos veces cuando el disco está en reproducción o presionar “■” una vez cuando el disco está detenido, para borrar el programa.
2. Abrir la tapa del compartimiento del disco y el programa se borra automáticamente.

### **Repetir Reproducción**

Puede repetir la reproducción de una o todas las pistas del disco continuamente.

### **Repetir una pista**

1. Estando en el modo de reproducción; presionar "P-MODE" en el control remoto una vez, el indicador "U" se despliega en la pantalla, la pista actual en reproducción se repite continuamente hasta presionar "■".
2. Presionar "P-MODE" hasta que el indicador "U" desaparece de la pantalla para cancelar la función de repetir una pista.

### **Repetir todas las pistas del disco**

1. Estando en el modo de reproducción; presionar "P-MODE" en el control remoto hasta que el indicador "↶↷" se despliega en la pantalla, todas las pistas del disco se reproducen repetidamente hasta presionar "■".
2. Presionar "P-MODE" hasta que el indicador "↶↷" desaparece de la pantalla para cancelar la función de repetir todas las pistas.

### **Repetir la carpeta actual (para discos con formato MP3)**

1. Estando en el modo de reproducción; presionar "P-MODE" en el control remoto hasta que el indicador "↶↷FOLDER" se despliega en la pantalla, la carpeta actual se reproduce repetidamente hasta presionar "■".
2. Presionar "P-MODE" hasta que el indicador "↶↷FOLDER" desaparece de la pantalla para cancelar la función de repetir carpeta.

### **Reproducción al azar**

1. Estando en el modo de reproducción; presionar "P-MODE" hasta que el indicador "RAND" se despliega en la pantalla, entonces inicia automáticamente la reproducción al azar de todas las pistas del disco en el orden determinado por el reproductor. La reproducción se detiene hasta que todas las pistas son reproducidas.
2. Presionar "P-MODE" hasta que el indicador "RAND" desaparece de la pantalla para cancelar la función de reproducción al azar.

## **OPERACIÓN USB**

1. Presionar "FUNCTION/STAND BY" en el reproductor o "FUNCTION" en el control remoto para seleccionar el modo de USB.
2. Conectar la memoria o dispositivo USB al puerto USB, después de unos segundos la pantalla despliega el número total de pistas en el dispositivo USB e inicia automáticamente la reproducción desde la pista 1.
5. Durante la reproducción, presionar "▶ II /PAIR" para pausarla, presionar nuevamente para volver a la reproducción en el punto donde se pauso.
6. Durante la reproducción, presionar "■" para detener la reproducción y la pantalla despliega el número total de pistas de la memoria.
7. Los procedimientos de repetir (repetir una, repetir carpeta, repetir todo), programación de la reproducción, reproducción aleatoria, saltar y buscar son similares a los explicados en OPERACIÓN DEL CD/MP3.

### **Precaución:**

- No usar un cable de extensión USB para conectar el dispositivo USB, esto puede causar interferencia.

## OPERACIÓN BLUETOOTH

1. Presionar "FUNCTION/STAND BY" en el reproductor o "FUNCTION" en el control remoto para seleccionar el modo de Bluetooth. La pantalla despliega "BT" y el indicador de sincronía destella; después de conectarse a un dispositivo Bluetooth, el indicador de sincronía y "BT" permanece fijos.
2. Activar la función Bluetooth® del dispositivo externo y activar la búsqueda de dispositivo Bluetooth®. En la lista de dispositivos encontrados, seleccionar "EMERSON EPB-3002" para conectarlos. Ingresar la contraseña "0000" en caso de ser requerida. Entonces iniciar la reproducción desde el dispositivo Bluetooth conectado.
3. Presionar "◀◀/TUN-" o "▶▶/TUN+" para seleccionar una pista deseada.
4. Presionar "VOL-" o "VOL+" para ajustar el volumen al nivel deseado.
5. Presionar y sostener "▶ || /PAIR" para desconectar el dispositivo Bluetooth.

### Nota:

Solo un dispositivo Bluetooth puede conectarse a la vez.

## ESPECIFICACIONES

### General

Fuentes de alimentación:	Adaptador de corriente: 14 Vcc 2.5 A Baterías: 12 Vcc (8 x 1.5 Vcc Baterías "D/UM-1")
Control Remoto:	3 Vcc (2 x 1.5 Vcc Baterías "AA" o "UM-3")
Potencia de entrada:	40 W
Dimensiones:	460 mm x 200 mm x 342 mm aproximadamente
Temperatura de operación:	5 °C a 35 °C

### Sección de Radio

Bandas de recepción:	AM / FM ST
Rango de frecuencias:	AM: 520 kHz – 1710 kHz FM: 87.5 MHz – 108 MHz

### Sección de Disco Compacto

Captador óptico:	3 – rayos láser
Respuesta de frecuencia:	100 Hz – 16 kHz

### Sección del Casete

Sistema de grabación:	2 pistas 2 canales (estéreo)
Sistema de borrado:	Borrado magnético
Respuesta de frecuencia:	125 kHz – 6.3 kHz

Fluctuación: 0.35% Wrms (JIS)

### **Sección de Audio**

Potencia de salida: 2 x 5 W

Potencia de salida Woofer: 10 W

### **Accesorios**

Manual de operación

Control Remoto

Adaptador de corriente

***Las especificaciones y el diseño de este producto están sujetos a cambios sin previo aviso para mejoras de los mismos***

## **INDICACIONES SOBRE EL MEDIO AMBIENTE**



Al término de la vida útil de este producto, este no debe ser desechado en la basura doméstica para evitar daños al medio ambiente, en su caso acudir al centro de desechos sólidos de su localidad. La separación adecuada de los desechos ayuda a evitar posibles efectos negativos sobre la salud humana y el medio ambiente y promueve el reciclaje de los materiales que componen el producto. Informarse en su localidad sobre los organismos de eliminación de este tipo de desechos.