



Betty Crocker™

Immersion Blender



HOUSEHOLD USE ONLY

BC-4306R/ BC-4306S/ BC-4306W

Table of Contents

| | |
|-------------------------------------------|----|
| Important Safeguards | 3 |
| Before Your First Use..... | 5 |
| Know the Parts of Your Hand Blender | 6 |
| Using Your Hand Blender | 7 |
| Using Your Chopper Attachment..... | 9 |
| Chopping Guide | 11 |
| Care and Cleaning | 12 |
| Cleaning The Chopper Attachment | 13 |
| Limited Warranty..... | 14 |
| To Return for Service..... | 15 |
| Replacement Parts..... | 16 |

IMPORTANT SAFEGUARDS

When using electrical appliances, basic safety precautions should always be followed to reduce the risk of fire, electric shock and personal injury, including the following:

1. **Read all instructions carefully before use.**
2. To protect against risk of electric shock, do not put motor end of appliance in water or other liquids.
3. This appliance is not intended for use by persons (including children) with reduced physical, sensory, or mental capabilities, or lack of experience and knowledge, unless they are closely supervised and instructed concerning use of the appliance by a person responsible for their safety. Close supervision is necessary when any appliance is used by or near children. Children should be supervised to ensure that they do not play with the appliance.
4. To disconnect, turn unit off, grasp plug, and pull from wall. Never yank on cord.
5. Avoid contacting moving parts.
6. Do not operate any appliance with a damaged cord or plug or after the appliance malfunctions or is dropped or damaged in any manner. Return the appliance to an authorized service facility for examination, repair or electrical or mechanical adjustment.
7. The use of attachments not recommended or sold by the appliance manufacturer may cause fire, electric shock or injury.
8. Do not use outdoors.
9. Do not use the appliance for other than intended use.
10. Do not let cord hang over edge of table or counter or touch hot surfaces, including the stove.
11. Keep hands and utensils away from moving blades while processing food to prevent the possibility of personal injury or damage to the unit.

12. Blade is sharp. Handle carefully.
13. **Do not operate the unit for more than 1 minute at a time. If the unit is in operation for more than 1 minute, allow 1 minute to elapse before turning on the unit again.**
14. Do not twist, kink or wrap the power cord around the appliance as this may cause the insulation to weaken and split, particularly in the location where it enters the unit.
15. **Never leave appliance unattended while it is plugged into an outlet.**

SAVE THESE INSTRUCTIONS

HOUSEHOLD USE ONLY

POWER CORD INSTRUCTIONS

1. A short power-supply cord is provided to reduce the hazard resulting from entanglement or tripping over a long cord.
2. Extension cords may be used if care is exercised. If it is necessary to use an extension cord, it should be positioned so that it does not drape over the counter or tabletop where it can be pulled on by children or tripped over unintentionally.
3. The electrical rating of the extension cord must be the same or more than the wattage of the appliance (the wattage is shown on the rating label located on the underside or back of the appliance).
4. Avoid pulling or straining the power cord at outlet or appliance connections.

POLARIZED PLUG

1. Your appliance is equipped with a polarized plug (one blade is wider than the other).
2. To reduce the risk of electrical shock, this plug is intended to fit into a polarized outlet only one way.
3. If the plug does not fit fully into the outlet, reverse the plug. If it does not fit, please consult a qualified electrician. Do not attempt to defeat this safety feature by modifying the plug in any way.

WARNING: Improper use of the power cord may result in electric shock. Consult a qualified electrician if necessary.

CAUTION: Do not operate appliance if the line cord is damaged or if the appliance works intermittently or stops working entirely.

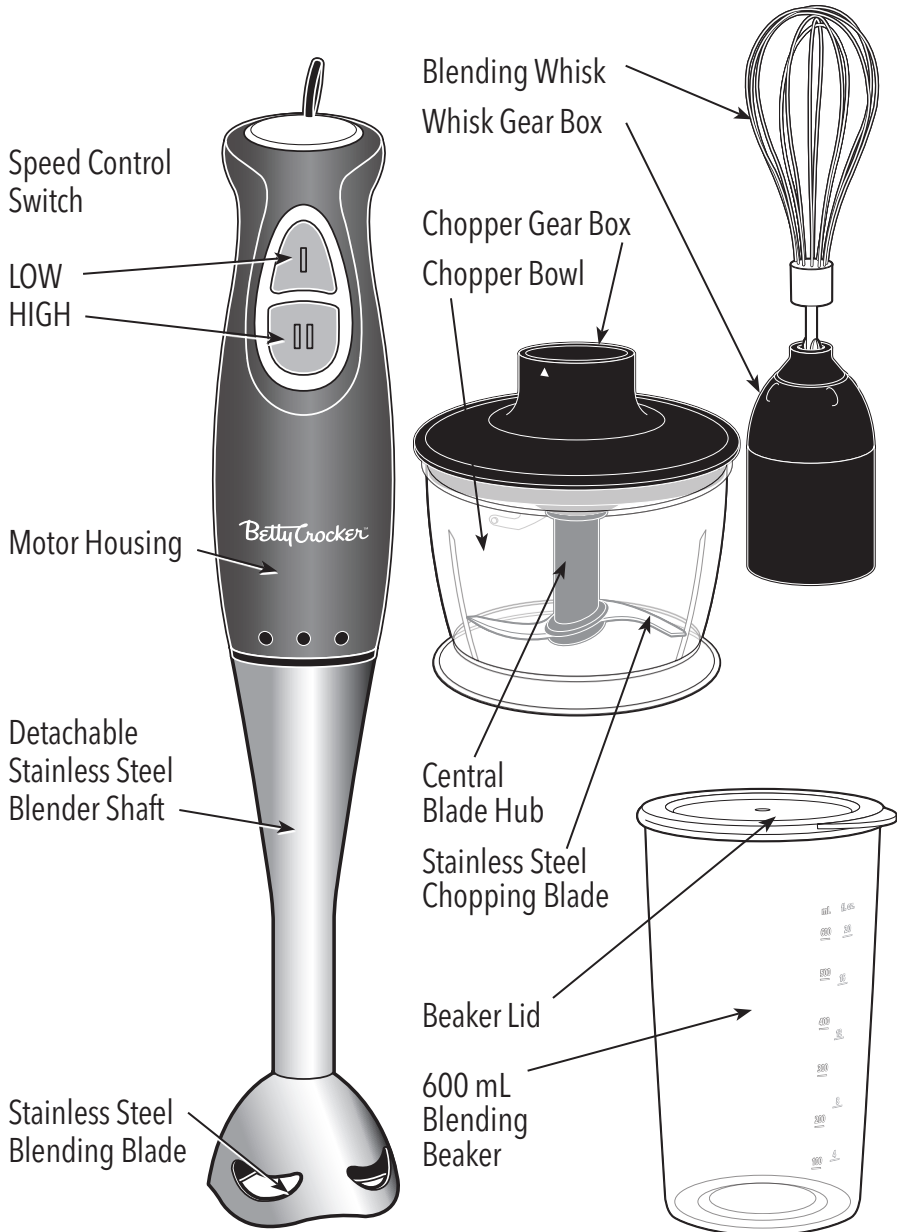
Before Your First Use

Carefully unpack the hand blender and remove all packaging materials. You may wipe the main body and chopper gear box with a clean, damp cloth. To remove any dust that may have accumulated on the removable parts during packaging, wash the blender shaft, whisk, blending beaker, chopper bowl, and cutting blade with warm, soapy water. Rinse and dry thoroughly.

CAUTION: Blades are sharp, handle carefully.

WARNING: Do not immerse the motor housing, chopper gear box, cord or plug in water or any other liquids. Do not use harsh detergents or abrasive cleansers on any part of the hand blender.

Know the Parts of Your Hand Blender

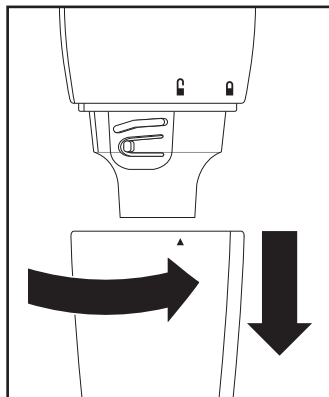


RATING: 120V, 60Hz, 250W, AC ONLY

Using Your Hand Blender

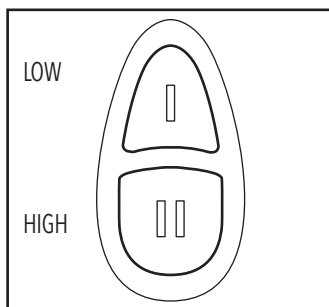
The hand blender blends, mixes and chops fast and easily. Use it to blend soups, mayonnaise, purées, dietary and baby food, mixed drinks or cocktails.

1. To attach the blender shaft, rotate in a counter-clockwise direction to lock the blender shaft to the motor housing.
2. Plug the hand blender into a 120 volt 60 Hz AC-only outlet.



Your hand blender comes complete with a handy blending beaker, but can be operated as efficiently in a bowl, saucepan or other container.

When using directly in a saucepan while cooking, remove the pan from the stove first to avoid overheating the blender unit.



WARNING: Always insert the blending blade into your mixing container first before pressing the speed control switch.

3. Simply press the desired speed switch to operate

NOTE: Always switch off the hand blender before taking it out of the food.

WARNING: To reduce risk of personal injury and/or damage to your hand blender:

- Always inspect attachments before each use.
- Do not use cracked, bent or damaged attachments.

CAUTION: Do not use the hand blender for more than 1 minute consecutively. After 1 minute of use, allow the hand blender to rest for a few minutes before continuing to blend.

Hot Blending Instructions

To prevent scalding when mixing or blending hot ingredients, the following precautions must be observed:

- Use a tall container less than half full or blend small quantities at one time.
- Insert blade end of the hand blender into the container until it is touching the bottom before starting on low speed.
- Take care not to lift the blender shaft out of the hot ingredients while operating the hand blender.
- To use the hand blender in a hot saucepan, be sure to remove the pan from the stove as the hand blender is not designed for use over a heat source.
- To purée hot foods, a certain amount of liquid is always needed. Add cooking liquid, broth, juice, milk or cream, until the desired consistency is reached.
- To avoid scalding, do not stand directly over a container of hot ingredients while operating the hand blender.

Helpful Blending Hints

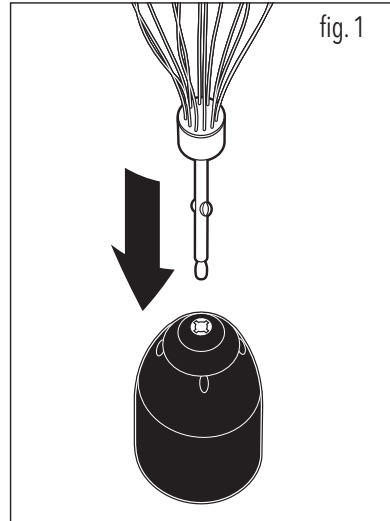
- For thorough blending, move blade up and down in mixture until smooth.
- To achieve best blending results use deep, tall containers.
- For easy clean-up, unplug hand blender and rinse blending shaft under running water immediately after using.

CAUTION: Hand blender is not designed for crushing ice, mixing cookie dough, bread dough or mashed potatoes.

Using Your Whisk Attachment

Use the whisk for lightweight tasks such as whipping cream, beating egg whites, and mixing cake batter and ready-made desserts.

1. Insert whisk into whisk gear box.
2. Connect the attachment to the main body as described in the "Using Your Hand Blender" section.
3. Connect plug to outlet.
4. Place food or liquid into desired vessel.
5. To prevent splashing, do not turn on or off unless whisk is immersed in food or liquid.
6. Use high or low speed button to whisk the food to your liking.



NOTE: It is not recommended to run the hand blender with the whisk attachment continuously for more than 1 minute.

Using Your Chopper Attachment

The chopper attachment is perfect for cutting herbs, onions, fruit, vegetables, hard cheeses and meat.

WARNING: Before cutting meat, remove all gristle, bones and sinew.

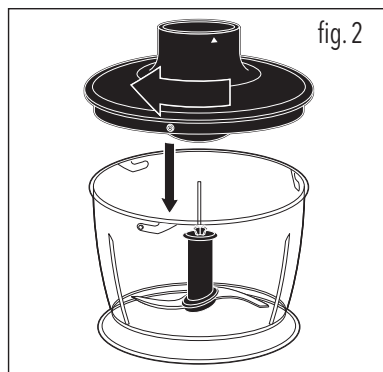
NOTE: The chopper attachment is not recommended for grinding coffee beans or cutting radishes.

1. Place the chopper attachment on a flat, clean, dry counter or tabletop.
2. Insert the cutting blade (hold by the central blade hub).

CAUTION:
THE BLADE IS VERY SHARP; HANDLE BY CENTRAL HUB.

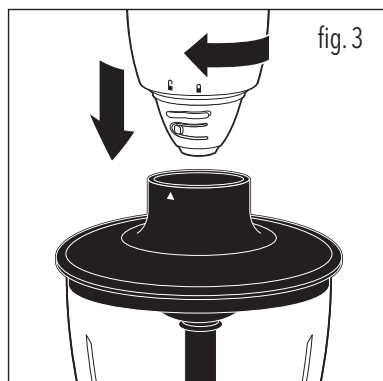
3. Place food in the chopping bowl.

4. Place the chopper gear box on the chopping bowl and rotate in a clockwise direction until it locks into position (see fig. 2).
5. Connect the motor housing to the chopper attachment and lock into position until it clicks (see fig. 3).
6. Before using your chopper, ensure that the unit is assembled correctly.



WARNING:
Blades are sharp - handle with care.

7. Plug the unit into a working 120 volt 60Hz AC outlet. Arrange cord so it does not drape over countertop or tabletop where it can be pulled on by children or tripped over accidentally.
8. Press the LOW speed button and hold down for several seconds. Release the speed button and the motor will stop. You will be able to examine the food consistency through the transparent bowl. If more processing is required, simply press the LOW button or switch to the HIGH speed for a few more seconds. Be careful not to over process, as most foods will only require several seconds.



This appliance is designed for "Pulse operation".

Do not operate motor continuously for longer than one minute.
Allow to rest for 3 minutes before using again.

9. Once the food has reached the desired consistency, release the speed control switch and the blades will stop rotating.
10. Once the chopping blades have come to a complete stop, unplug the unit. Unlock and remove the motor housing from the chopper gear box. Unlock and remove the chopper gear box from the chopper bowl. Carefully remove the blade from the bowl by handling it by the central hub. Empty the contents. A spatula may be used if necessary.

CAUTION: Do not chop hard foods that cannot be easily sliced with a normal kitchen knife or foods that contain pits, stones, bones or hard shells as this may damage the chopper.

This unit is NOT INTENDED to chop or crush ice cubes or mix dough.

Chopping Guide

| FOOD | MAXIMUM QUANTITY | PREPARATION | TIME (SECONDS) |
|--------------------|------------------|----------------------------------------------------|----------------|
| Parsley | A few sprigs | Remove stalks | 10 - 20 |
| Onions | 100 g/3.5 oz | Quarter | 5 - 10 |
| Garlic | 2-10 cloves | | 5 - 10 |
| Carrots | 150 g/5.5 oz | Cut into pieces | 10 - 20 |
| Fruit/Vegetables | 100 g/3.5 oz | Cut into pieces | 10 - 15 |
| Baby Food | 170 g/6 oz | Cook and dice | 10 - 20 |
| Almonds | 150 g/5.5 oz | | 20 - 30 |
| Medium-Hard Cheese | 100 g/3.5 oz | Chill in refrigerator Dice into 1 cm/0.5" cubes | 20 - 30 |
| Meat | 200 g/7 oz | Dice into 1 cm/ 0.5" cubes 0.5" cubes | 15 - 25 |
| Dry Bread | 150 g/5.5 oz | Cut into pieces | 15 - 20 |

Care and Cleaning

Other than the care and cleaning procedures mentioned in this manual, no other servicing or maintenance of the unit is required.

IMPORTANT: Do not try to sharpen the cutting edges of the blades. The hand blender blades and chopper blades have been precision honed at the factory and will be damaged by any attempted sharpening.

When the motor housing is not in use, unplug the motor housing from the wall outlet.

CAUTION: Before cleaning, be sure the hand blender has been unplugged from the outlet. To make cleaning easier, rinse parts immediately after blending. The motor housing may be wiped with a damp cloth and dried thoroughly.

IMPORTANT: Do not immerse the chopper gear box or the motor housing in water or any other liquids. Be careful when handling the sharp blades.

The detachable blender shaft, whisk and beaker may be hand washed in warm, soapy water. Ensure all parts are clean and dry before storing.

NOTE: Some foods and spices will cause minor discolouration to your blender shaft and chopper bowl.

NOTE: If the chopper bowl becomes discoloured after processing certain foods, such as carrots or red cabbage, try rubbing the stains with some vegetable oil or lemon juice.

Cleaning The Chopper Attachment

WARNING: Never immerse the chopper gear box in water or any other liquid. Do not clean in the dishwasher.

1. Pull out the main plug.
2. Remove the main body from the chopper attachment by rotating the main body counter-clockwise to unlock.
3. Rotate the chopper gear box in a counter-clockwise direction and remove from the bowl.
4. Grip the plastic handle of the cutting blade and remove.
5. The bowl and cutting blade are dishwasher safe.
6. Wipe the chopper gear box with a damp cloth and then wipe dry.

LIMITED WARRANTY ONE (1) YEAR

This warranty is the only warranty for this product. This product is warranted to be free from defects in material and workmanship for a period of one (1) year from the date of original purchase, as evidenced by the receipt of purchase, and provided it is used for the purpose for which the product is intended. During this period, your exclusive remedy is repair or replacement of this product or any component found to be defective, at our option. If the product should become defective within the warranty period, we will repair it or replace it free of charge. If the product or component is no longer available, we will replace with a similar one of equal or greater value. We will return your product, transportation charges prepaid provided it is delivered prepaid to Formula Brands Inc. Any and all remedies relating to this warranty are limited to the amount of the purchase price of the product. This warranty extends only to the original purchaser, consumer or gift recipient.

This warranty does not cover failure caused by food build-up, water deposits, normal cosmetic discoloration, and inadequate maintenance of the product. This warranty will not cover damage or failure to function if the product has been dismantled or tampered with, if it has been damaged due to exposure to water or any other liquid, if it is not used in conformity with the printed directions of this product or if it has been accidentally or intentionally damaged.

This warranty does not cover the following parts which may be supplied with the appliance: plastic parts, glass parts, glass containers, ceramic containers, cutter/strainer, filters or non-stick surfaces.

This product is intended for use in a single-family household. This warranty will become null and void if the product is used for commercial purposes or any other purpose other than for single-family household use.

We exclude all claims for special, incidental and consequential damages caused by breach of any express or implied warranty. All liability is limited to the amount of the purchase price. Every implied warranty, including any statutory warranty or condition of merchantability or fitness for a particular purpose, is disclaimed except to the extent prohibited by law, in which case such warranty or condition is limited to the duration of this written warranty. This warranty gives you specific legal rights. You may have other legal rights that vary depending on where you live. Some states or provinces do not allow limitations on implied warranties or special, incidental or consequential damages, so the foregoing limitations may not apply to you.

TO RETURN FOR SERVICE:

1. Securely package and return the product PREPAID to:
FORMULA BRANDS INC.
45 Mural Street, Unit #7, Richmond Hill, Ontario, Canada L4B 1J4

NOTE: We recommend you insure your parcel for your protection.

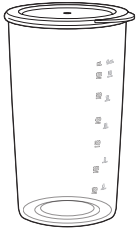
2. Please enclose your name, return address, postal code, telephone number and a description of the defect.
3. To ensure prompt 'In-Warranty' service, be sure to include a proof of purchase (a copy of your store receipt).
4. For repairs not covered under warranty, you will be advised of the cost of the repair in advance, and upon receipt of your cheque or money order the repairs will be completed and the product returned to you.

If at any time you order parts or inquire about service, please quote the "MODEL NUMBER" stamped on the appliance nameplate.

For assistance regarding this appliance, please call
1-877-244-1110
between 9:00 am and 5:00 pm (EST) Monday to Friday
or write
FORMULA BRANDS INC.
45 Mural Street, Unit #7, Richmond Hill, Ontario, Canada L4B 1J4
or email:
customerservice@formulabrands.com

© General Mills. Betty Crocker and designs are trademarks of General Mills used under license.

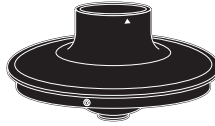
REPLACEMENT PARTS



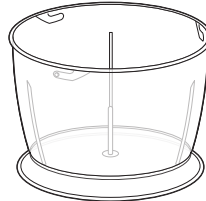
Beaker with Lid



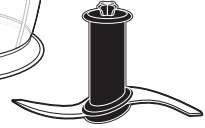
Blender Shaft with Stainless Steel Blade



Chopper Gear Box



Chopper Bowl



Chopper Blade



PLEASE WRITE MODEL NUMBER HERE:

| PART | QTY | PRICE | TOTAL |
|------------------------------------------|-----|--------|----------|
| Beaker with Lid | | \$3.99 | |
| Lid for Beaker | | \$0.99 | |
| Blender Shaft with Stainless Steel Blade | | \$8.99 | |
| Chopper Gear Box | | \$7.99 | |
| Chopper Bowl | | \$5.99 | |
| Chopper Blade | | \$4.99 | |
| TOTAL | | | |
| SHIPPING AND HANDLING TO CANADA: | | | \$9.00* |
| SHIPPING AND HANDLING TO USA: | | | \$15.00* |
| SUBTOTAL | | | |
| ADD 13% H.S.T. - CANADA ONLY | | | |
| TOTAL | | | |

If you would like to order replacement or spare parts for this appliance, please complete and mail this form, along with a cheque or money order made payable to:

FORMULA BRANDS INC.
45 Mural Street, Unit #7,
Richmond Hill, Ontario,
Canada L4B 1J4

NAME

ADDRESS

CITY

PROVINCE/STATE

POSTAL/ZIP CODE

Prices are subject to change without notice.

PLEASE NOTE: WHEN ORDERING FROM USA, AN 'INTERNATIONAL' MONEY ORDER MUST BE USED.

* Shipping costs may vary based on fuel surcharges and postage rates. Please call toll-free 1-877-244-1110 or email customerservice@formulabrands.com to confirm shipping and handling charges.

Allow 3 to 6 weeks for delivery.

BC-4306R-S-W
06/23