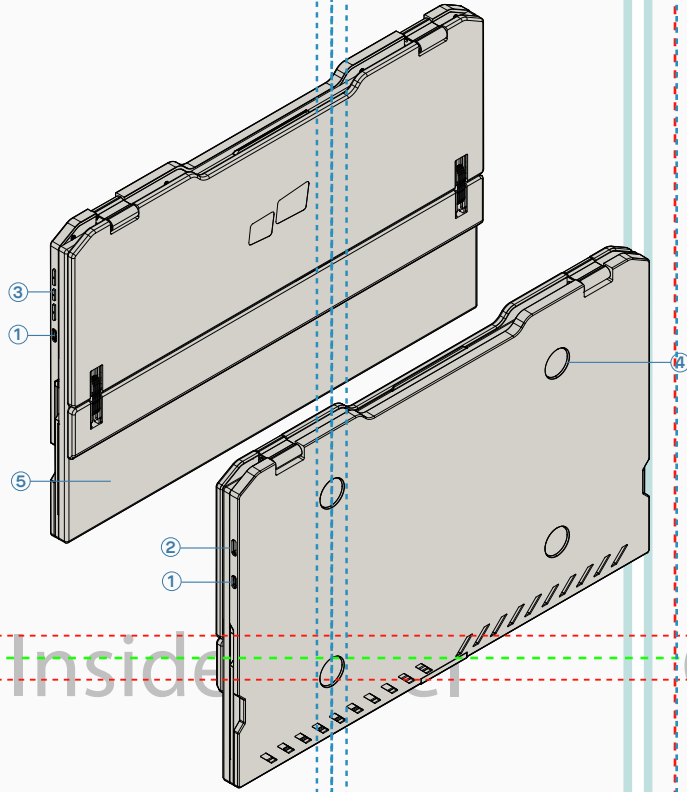


1 Package overview

1.1 Monitor & accessories

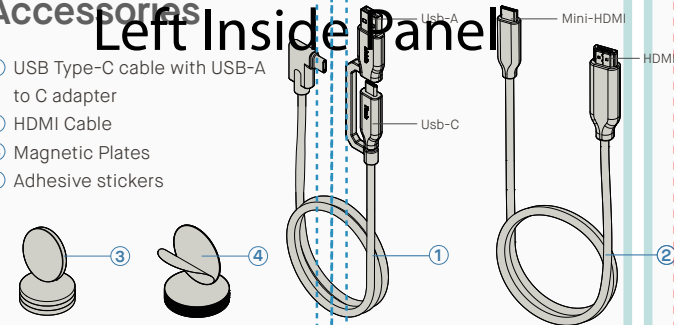


Duex Float

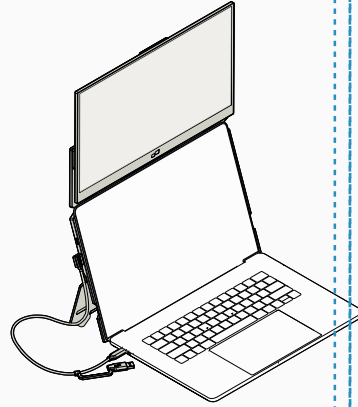
- ① Usb Type-C Port
- ② Mini HDMI Port
- ③ Menu Buttons
- ④ Magnetic Plates
- ⑤ Screen

Accessories

- ① USB Type-C cable with USB-A to C adapter
- ② HDMI Cable
- ③ Magnetic Plates
- ④ Adhesive stickers

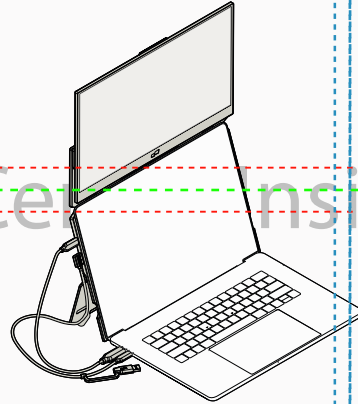
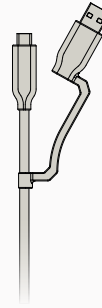


2 Connection Options



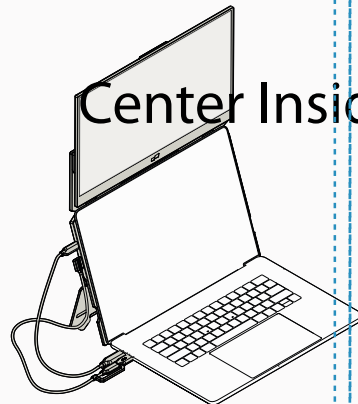
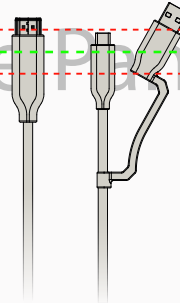
Using only USB-C to C cable

Note: For laptop has USB-C port with DP ALT mode



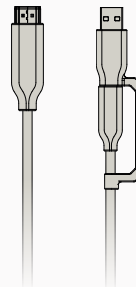
Using USB-C to C cable with HDMI cable

Note: For laptop has USB-C port without DP ALT mode



Using USB-C to C cable and Type-A adapter with HDMI cable

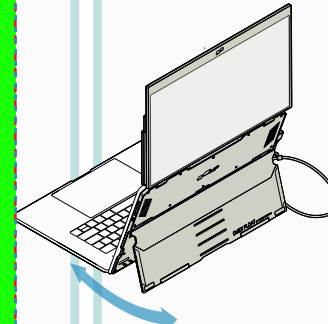
Note: For laptop has only USB-A and HDMI port



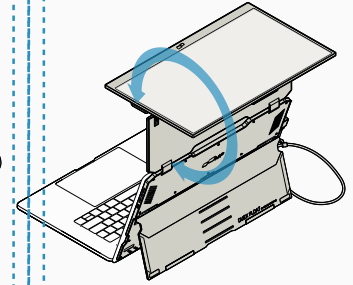
3 Monitor positioning guide

3.1 Attachment mode

Attachment mode is optional. Please refer to attachment guide and mounting template.

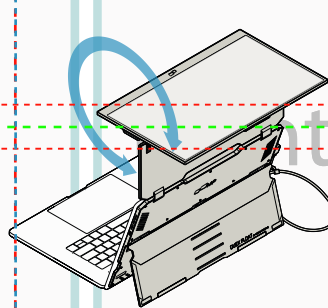


1. Deploy the kickstand and rotate the monitor.

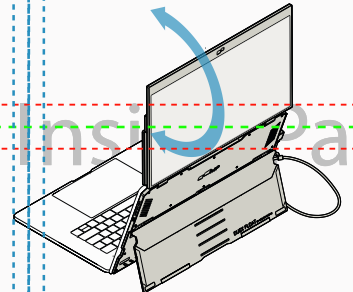


2. Rotate the monitor 180° to face the laptop monitor.

3.2 Presentation mode



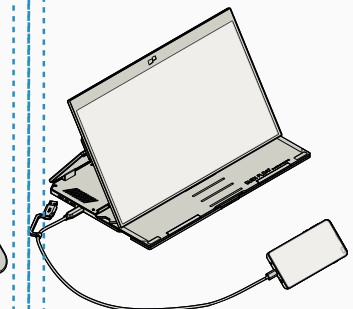
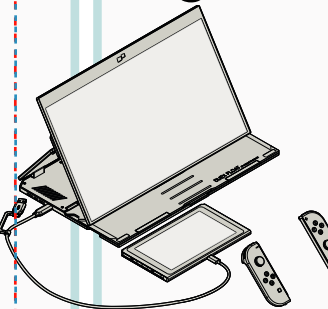
1. Rotate the monitor 180° degrees.



2. Connect Duex Float to the Pc and use it in presentation mode.

3.3 Nintendo Switch & Android mode.

First connect the power cable of your switch/android device to Duex Float, then connect Switch/Android device to Duex Float.



Left Inside Panel

Center Inside Panel

Right Inside Panel

