



杭州巨星科技股份有限公司包装结构图纸线条图例
THE LEGEND OF PROJECT BLUEPRINT FOR PACKAGES OF GREATSTAR® CO.,LTD.

刀切线, C=100, M=100 (CAD默认蓝)
 CUTTING LINE, C=100, M=100 (CAD BLUE)

压痕线, C=100, Y=100 (CAD默认绿)
 FOLDING LINE, C=100, M=100 (CAD GREEN)

产品、泡壳外框线, Y=100
 EDGE OF PRODUCTS AND BLISTER LINE, Y=100

标注尺寸, M=100, Y=100 (CAD默认红)
 DESCRIPTION FOR SIZE, M=100, Y=100 (CAD RED)

点划线, C=100, M=100 (CAD默认蓝)
 DASH & DOT LINE, C=100, M=100 (CAD BLUE)

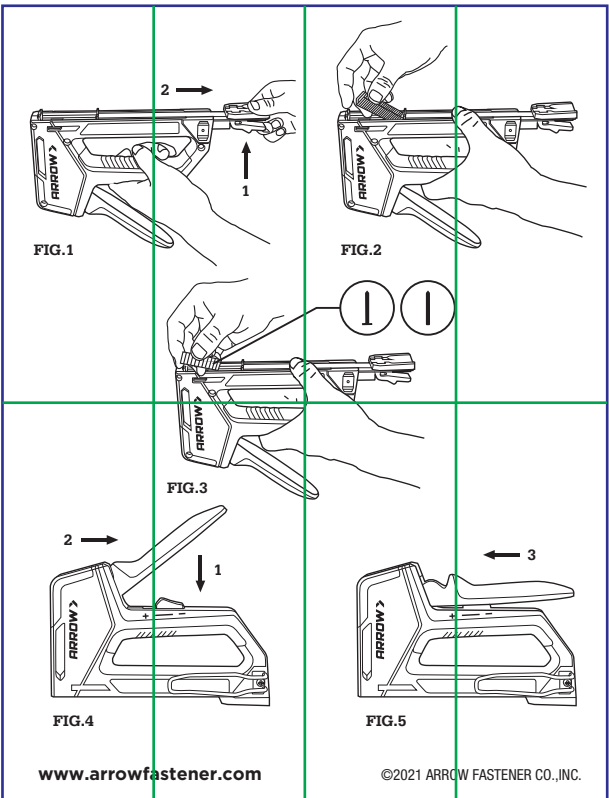
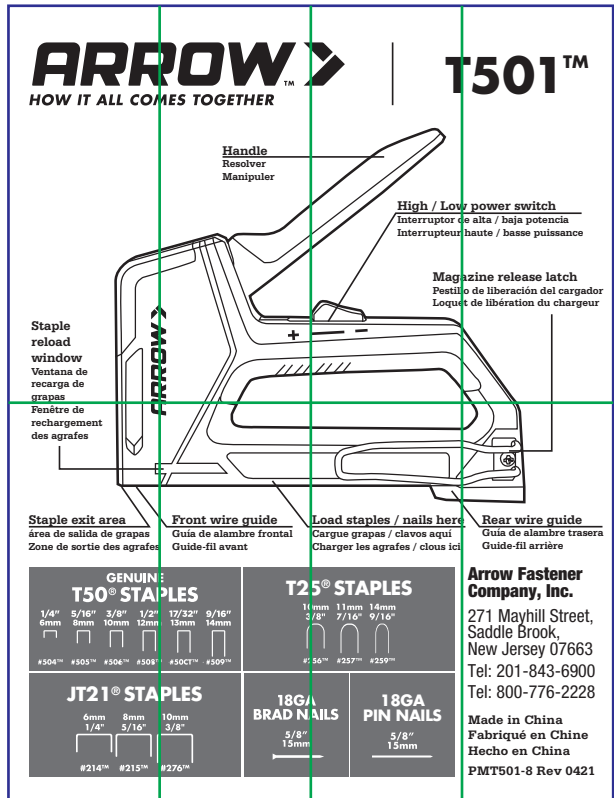
打钉连接示意, K=40
 STUCKEN BY NAILS, K=40

胶水粘接示意, K=40
 STUCKEN BY GLUE, K=40

K=40 产品位置放置区域, ARTWORK 上不要放置任何内容
 Y=100 NOT PUT ANYTHING IN THIS AREA (PRODUCTS)

K=40 挖空区域, ARTWORK 上不要放置任何内容
 C=100,M=100 NOT PUT ANYTHING IN THIS AREA (CUT-OUT)

瓦楞方向示意 (图案直线方向), K=100
 DIRECTION OF CORRUGATED PAPER, K=100 (DIRECTION OF THE LINES IN THE LEGEND)



图纸编号：2021042001MQ

> 日期 DATE	> 客户名称 CUSTOMER	> 品牌 LOGO	> 系统中类编码(货号) REF.NO.	> 尺寸(长x宽x高) SIZE (L x W x H)	> 备注 OTHERS
2021-04-20	ARROW		T501	80mmX105mm	说明书