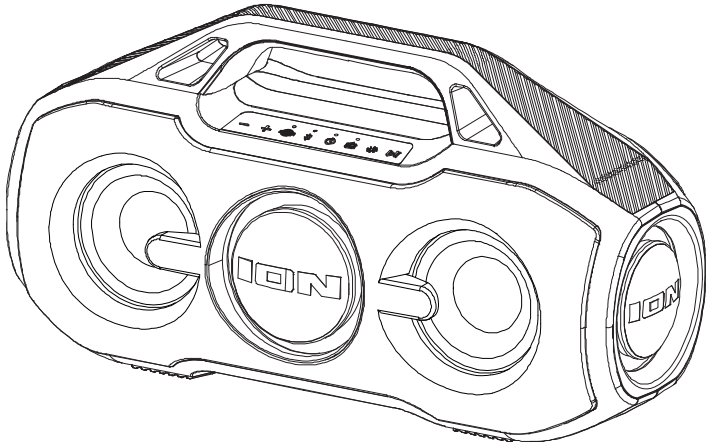


ION[®]

AquaSport[™] Max



User Guide

English (3 – 9)

Guía del usuario

Español (10 – 17)

Guide d'utilisation

Français (18 – 25)

Appendix

English (26)

SUPPORT / SOPORTE / ASSISTANCE



Tap or click for technical support.

Toque o haga clic para obtener soporte técnico.

Appuyez ou cliquez pour obtenir une assistance technique.

ionaudio.com/support

User Guide (English)

Introduction

Box Contents

AquaSport™ Max
Micro-USB Cable (3.2 ft. / 100 cm)
Quickstart Guide

Support

WARNING: Keep any non-water-resistant devices (phones, music players, etc.) in a dry place where they will not be affected by water and cause a risk of electric shock.

Important: Make sure the battery is completely charged prior to first use for maximum battery life.

Charging & Battery Information

For the quickest charging time, power off AquaSport™ Max and use the included micro-USB cable to connect the speaker to a USB power adapter (DC 5V 2A, not included) connected to a power outlet, or your computer (powered on).

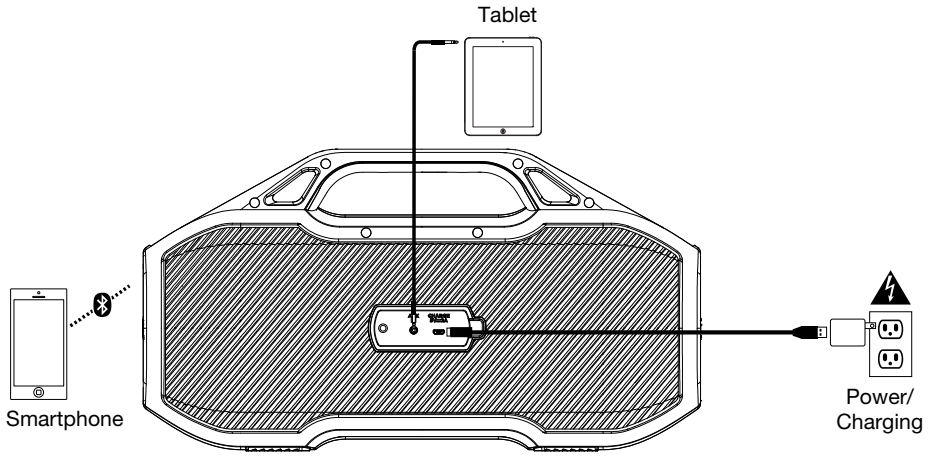
The LED (located above the Power Button) will appear solid red when charging, even if the speaker is powered off. The LED will turn off when charging is complete. When the AquaSport™ Max battery is low, the LED will flash red three times every 60 seconds; If voice prompts are turned on, you will also hear “Battery Low”.

If no audio is played through the AquaSport™ Max speaker for 15 minutes, the unit will power off automatically to conserve battery life.

Quick Setup

Connection Diagram

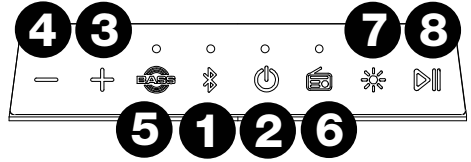
Items not listed under the **Box Contents** are sold separately.



Features

Front Panel

1. **Bluetooth Button:** Press and hold this button to disconnect a paired Bluetooth device.
2. **Power On/Off:** Press and hold this button to turn AquaSport™ Max on/off.



Note: Quickly press the Power button 2 times to toggle voice prompts on/off. Voice prompts can also be toggled on/off in the ION Sound XP™ app.

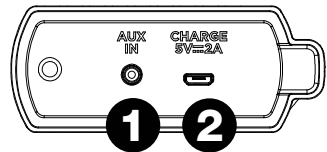
Note: AquaSport™ Max will power off after 15 minutes if there is no Bluetooth connection or no audio signal being received.

3. **Volume Up:** Press and release this to increase the speaker volume on AquaSport™ Max. Press and hold this button to go to the next Bluetooth track.
4. **Volume Down:** Press and release this to decrease the speaker volume on AquaSport™ Max. Press and hold this button to go to the previous Bluetooth track.
5. **Bass Boost:** Press and release this button to toggle added bass frequencies on/off.
6. **Radio:** Press this button to select the FM radio function. Press and hold +/- buttons to seek radio stations. Select radio presets in the ION Sound XP™ app. Navigate through presets from the speaker by quickly pressing the **Play/Pause** button.
7. **Light Modes:** Press this button or use App to light the woofers in different colors. If no music is playing, the woofers will be lit solid. If music is playing, the lights will change color in-sync with the beat of the music.
8. **Play/Pause:** In Bluetooth mode, press and release this button to play/pause a Bluetooth track. Press and hold **Play/Pause** to trigger your iOS or Android device's smart assistant. Speak your command into the microphone located under the - and + buttons.

Rear Panel

Note: Use your fingernail to release the protective rubber panel on the back of AquaSport™ Max to access the Rear Panel.

1. **Auxiliary Input:** This stereo 3.5 mm (1/8") input can be used to connect a CD player, MP3 player, or other audio source.
2. **Micro USB Port:** Use the included USB cable to connect this to a USB port on your computer or phone charger to recharge AquaSport™ Max's battery.



Note: Make sure AquaSport™ Max and connections are dry before charging. Never charge when wet.

Pairing with a Bluetooth Device

1. Turn on your Bluetooth device.
2. Power on AquaSport™ Max and it will automatically go into pairing mode to search for Bluetooth devices. You will know you are in pairing mode when the Bluetooth LED is slowly flashing.
3. Navigate to your Bluetooth device's setup screen, find "AquaSport™ Max" and connect.

Note: Do not connect to iSP161_BLE; this is reserved exclusively for connecting to the ION Sound XP™ app. If you experience trouble in connecting, select "Forget this Device" on your Bluetooth device and try to connect again.

Note: If your Bluetooth device prompts for a pairing code, enter "0000".

4. Press and hold the Bluetooth button to disconnect a paired Bluetooth device.
5. To connect to another Bluetooth device, repeat step 3.

Note: Maximum range will be achieved when using devices with Bluetooth 5.0.

Linking Two AquaSport™ Max Speakers

1. Be sure to disconnect Bluetooth devices before attempting to pair speakers using Stereo-Link™. Press and hold the **Bluetooth** button to do this.
2. Double-press the Bluetooth button on each AquaSport Max™ speaker. The Bluetooth LEDs will begin to rapidly flash blue to indicate they are attempting to link. Please allow 10 to 30 seconds for the speakers to link.

Note: Speakers should be within 50' (15 m) of each other to properly link. The closer the speakers are, the faster they will link.

Note: To exit Stereo-Link™ mode, double-press the **Bluetooth** button again.

3. When the two speakers are linked, the secondary speaker's Bluetooth LED will be lit solid green, while the primary speaker's Bluetooth LED will blink blue slowly to indicate it's ready to pair the stereo-linked speakers to your Bluetooth device.
4. Navigate to your device's Bluetooth settings menu and select **AquaSport Max** to connect.
5. To exit Stereo-Link™ mode, double-press the **Bluetooth** button on one of the two speakers.

Note: If a speaker is in Stereo-Link mode when you power it off, it will be in Stereo-Link mode the next time you power it on (they will automatically link when you power them on as long as they are in close range of each other and powered on within 15 seconds of each other).

Bluetooth Call Answering

Note: You must power on and pair AquaSport™ Max with your Bluetooth device before using it to listen to music or as a speakerphone.

To reject an incoming call, Press and hold the **Play/Pause** button for two seconds.

To answer an incoming call, press the **Play/Pause** button and then quickly release it.

During a call, press the +/- buttons to adjust the volume of the caller.

When you wish to end a call, press the **Play/Pause** button. Bluetooth audio will resume playing at this time.

Smart Connect to a Smart Assistant

1. Connect a device via Bluetooth.
2. Press and hold **Play/Pause** on AquaSport™ Max to enter Smart Connect mode. This will send a message to the connected Bluetooth device to trigger its native smart assistant to listen for a spoken command. If music is playing at the time, it will be paused. To cancel, press and hold **Play/Pause**.
3. Speak commands in a normal volume within 1 meter away from AquaSport™ Max's microphone.

Note: If a command is not spoken, the smart assistant will stop listening per the device's native settings (e.g. Siri stops around 6 seconds), and exit Smart Connect mode. If music was playing before prior to Step 2, the music will un-pause and continue to play.

4. After the smart assistant has spoken a reply, AquaSport™ Max will exit Smart Connect mode. If music was playing prior to Step 2, the music will un-pause and continue to play.

Using the Radio

1. Press the **Radio** button.
2. Select a radio station by pressing and holding the + or - button.
3. To scan through all stations, hold down the **Radio** button for 2 seconds. To stop scanning, hold the **Radio** button for 2 seconds.

Note: The last radio station the radio was tuned to when powering off will be the first station the radio will tune to when powering back on.

To save a preset station, use the ION Sound XP™ app.

To recall a preset station, press and release **Play/Pause** to advance through one of the 6 presets.

Connecting an Audio Device Using the Aux Input

1. Connect a 1/8" (3.5 mm) auxiliary cable to the input on the rear panel of AquaSport™ Max and connect the other end to an audio device such as an MP3 or CD player. The speaker will automatically switch the audio source to Aux mode but will maintain all Bluetooth connections.
2. Press play on your device's music player. Use the **Volume Up/Down** buttons to adjust the Aux volume.

Note: AquaSport™ Max speaker volume controls act independently from your connected device. Lower the volume on your device if signal distortion occurs.

3. Disconnect the Aux cable to exit Aux mode. AquaSport™ Max will revert to the audio mode it was in before the Aux connection, Bluetooth or Radio.

Light Mode

Press and release the **Light** button to cycle through these Light selections:

- **Off:** Turns the LED lights off.
- **Woofer LEDs ON:** If music is not playing, the RGB colors will slowly phase from dim to bright from one color to the next through the full color spectrum. Each color will decrease in brightness and increase in brightness before cycling to the next color. If music is playing, the lights change color in-sync with the beat of the music.
- **White LED:** If no music is playing the white LED will be lit solid. If music is playing, the white LED will flash to the beat of the music.
- **Cyan LED:** If no music is playing the cyan LED will be lit solid. If music is playing, the cyan LED will flash to the beat of the music.
- **Magenta LED:** If no music is playing the magenta LED will be lit solid. If music is playing, the magenta LED will flash to the beat of the music.

Notes:

When turning on the speaker for the first time, the default LED mode is woofer LEDs on in beat-sync mode.

The speaker will recall the last setting it was on when turned off. Color adjustments and modes can be made in the ION Sound XP™ app.

App Control

IMPORTANT: To ensure the best possible experience with the app, use the most current Android OS or iOS on your device.

Follow these steps to download the free app on your device:

1. Open the Apple App Store or Google Play on your device. Then, search for the **ION Sound XP** app.
2. Follow the on-screen instructions to download and install the app. Once downloaded, the **ION Sound XP** app will appear on your device's home screen.
3. Connect your device to AquaSport™ Max via Bluetooth. See the [Pairing with a Bluetooth Device](#) to learn how to do this.
4. Open the ION Sound XP™ app. If prompted, allow the app to access your device's Bluetooth and Location Services.
5. Tap to select **Add A Product** on the screen. The app will scan and find AquaSport™ Max.

If you are having issues connecting, tap **Help with setting up?** for additional tips.

6. Select the AquaSport™ Max icon to go to the next screen, where you can use the app to control various functions of the speaker such as:
 - **Radio:** Play the radio, change stations, and edit presets.
 - **EQ Adjustment:** Adjust the speaker's low, mid, and high band equalization.
 - **Voice Prompts:** Enable or disable the voice prompts.
 - **EQ Preset:** Select from the EQ presets in the drop-down menu.
 - **Volume:** Adjust the speaker volume.
 - **TWS:** Text window for TWS linking instructions.
 - **Light Effect:** Select which individual LED section is on or off, and cycle the lighting effect between Color Cycle, Beat Sync, Solid, and Off.
 - **Battery Status:** Displays the battery level.
 - **Support:** Visit ionaudio.com, contact Technical Support, and view Warranty information and Frequently Asked Questions.

Troubleshooting

If the unit is not charging: Make sure the power cable is properly connected to the power input and the power outlet.

If the sound is distorted: Try lowering the volume control of your sound source.

If there is too much bass: Try adjusting the tone or EQ control on your sound source to lower the bass level. This will allow you to play the music louder before clipping (distortion) occurs.

If you cannot connect your audio device to AquaSport™ Max via Bluetooth:

- Have your audio device (e.g., smartphone or tablet) and AquaSport™ Max as close together as possible while trying to connect. Make sure both the audio device and AquaSport™ Max are unobstructed by walls, furniture, etc.
- Reset the Bluetooth connection on AquaSport™ Max to disconnect AquaSport™ Max from any other audio device and restart the search process. If this does not work right away, power off AquaSport™ Max and then power it back on. See [Pairing with a Bluetooth Device](#) for more information.
- Reset the Bluetooth connection on your audio device by turning Bluetooth off and back on. You can find this under the Bluetooth menu in the Settings for your phone or other audio device.

If this does not work, and you have connected to AquaSport™ Max before, find AquaSport™ Max in the list of available or previously connected devices in your audio device's Bluetooth menu, tap the "gear" or "i" icon located next to it and then select **Unpair** or **Forget**. Turn AquaSport™ Max off and back on and try pairing again once it reappears in your available devices list.

Note: If AquaSport™ Max has been paired to another audio device recently that is still within range, you may need to repeat this process with that audio device to fully disconnect.

If you experience audio dropouts while playing music from a Bluetooth device, this may be happening because your unit is trying to link to another speaker. This can occur if you power off a speaker that was linked to your unit or if you have just turned on your unit and it is in Stereo-Link mode. To stop the audio dropouts, exit Stereo-Link mode by double-pressing the **Bluetooth button**. Alternatively, you can wait for your unit to link to another speaker if there is one within range.

If there is a delay in the audio signal between the left and right speakers when linked, break the link by double-pressing the **Link button**, and pair them again following the instructions in the [Linking Two AquaSport™ Max Speakers](#) section.

If you would like to stop your speaker from automatically linking when you power it on, make sure you double-press the **Bluetooth button** to exit Stereo-Link™ mode before you power it off.

Guía del usuario (Español)

Introducción

Contenido de la caja

AquaSport™ Max

Cable de micro USB (100 cm / 3.2 pies)

Guía de inicio rápido

Soporte

ADVERTENCIA: Coloque los dispositivos no resistentes al agua (teléfonos, reproductores de música, etc.) en un lugar seco donde no sean afectados por el agua y causen un riesgo de electrocución.

Importante: Para asegurar una máxima vida útil de la batería, asegúrese de que esté completamente cargada antes de utilizarla por primera vez.

Carga

Para lograr una carga más rápida, apague el altavoz AquaSport™ Max y utilice el cable micro USB incluido para conectar el altavoz a un adaptador de corriente USB (5 V de CC, 2A, no incluido) conectado a un tomacorriente, o a su computadora (encendida).

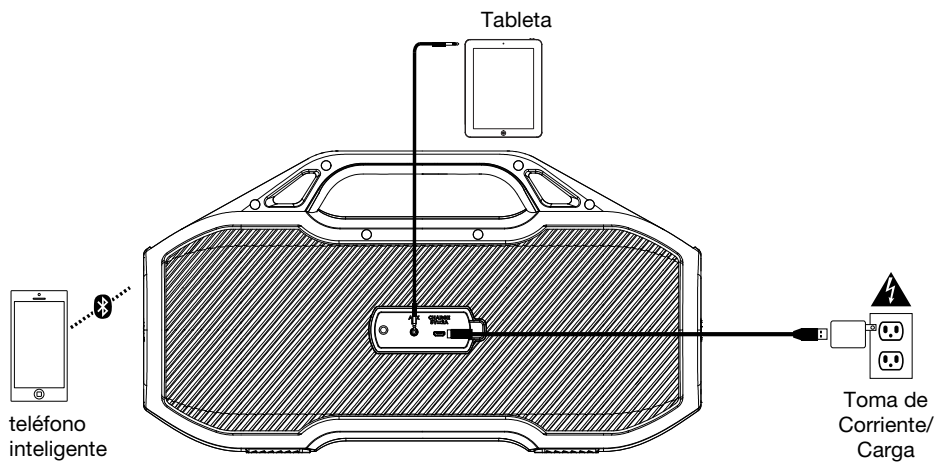
El LED (ubicado encima del botón de encendido) se encenderá permanentemente de color rojo durante la carga, incluso si el altavoz está apagado. El LED se apagará una vez finalizada la carga. Cuando le quede poca carga a la batería del AquaSport™ Max, los LED parpadearán de color rojo tres veces cada 60 segundos; si los avisos de voz están encendidos, también escuchará "Battery Low".

Si no se reproduce audio a través del altavoz AquaSport™ Max durante 15 minutos, la unidad se apagará automáticamente para ahorrar energía.

Instalación rápida

Diagrama de conexión

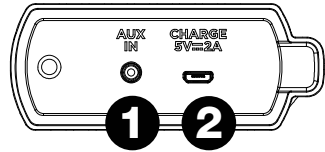
Los elementos que no se enumeran en **Contenido de la caja** se venden por separado.



Características

Panel frontal

1. **Botón de Bluetooth:** Mantenga pulsado este botón para desconectar un dispositivo Bluetooth apareado.
2. **Encendido/apagado:** Mantenga pulsado este botón para encender o apagar el AquaSport™ Max.



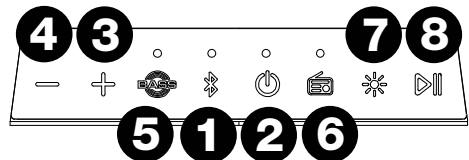
Nota: Pulse el botón de encendido 2 veces rápidamente para activar o desactivar los avisos de voz. Los avisos de voz también se pueden activar y desactivar en la aplicación ION Sound XP™.

Nota: AquaSport™ Max se apagará después de 15 minutos sin recibir ninguna conexión de Bluetooth o señal de audio.

3. **Subir volumen:** Pulse y suelte este botón para aumentar el volumen del altavoz del AquaSport™ Max. Mantenga pulsado este botón para pasar a la pista Bluetooth siguiente.
4. **Bajar volumen:** Pulse y suelte este botón para disminuir el volumen del altavoz del AquaSport™ Max. Mantenga pulsado este botón para volver a la pista Bluetooth anterior.
5. **Refuerzo de graves:** Pulse y suelte este botón para activar o desactivar el refuerzo de frecuencias bajas.
6. **Radio:** Pulse este botón para seleccionar la función de radio FM. Mantenga pulsado los botones +/- para buscar estaciones de radio. Seleccione presets de radio en la aplicación ION Sound XP™. Pulse brevemente el botón **Play/Pause** del altavoz para recorrer los presets.
7. **Modos de iluminación:** Pulse este botón o utilice la App para iluminar los woofers de diferentes colores. Si no se está reproduciendo música, los woofers quedarán permanentemente encendidos. Si se está reproduciendo música, las luces cambiarán de color en sincronización con el ritmo de la misma.
8. **Reproducir/Pausa:** En modo Bluetooth pulse y suelte este botón para reproducir/pausar una pista Bluetooth. Mantenga pulsado **Play/Pause** para ejecutar el asistente inteligente de su dispositivo iOS o Android. Diga el comando en voz alta hablando al micrófono ubicado debajo de los botones - y +.

Panel trasero

Nota: Utilice su uña para abrir el panel protector de goma de la parte trasera del AquaSport™ Max a fin de acceder al panel trasero.



1. **Entrada auxiliar:** Esta entrada de 3,5 mm (1/8 pulg.) estéreo se puede usar para conectar un reproductor de CD, MP3 u otra fuente de audio.
2. **Puerto micro USB:** Use el cable USB incluido para conectar este puerto a un puerto USB de su computadora o cargador de teléfono para cargar la pila del AquaSport™ Max.

Nota: Asegúrese de que AquaSport™ Max y las conexiones estén secas antes de cargarlo. Nunca lo cargue si está húmedo.

Cómo aparear un dispositivo de Bluetooth

1. Encienda su dispositivo Bluetooth.
2. Encienda el AquaSport™ Max, que pasará automáticamente al modo de apareamiento para buscar dispositivos Bluetooth. Se dará cuenta de que está en modo de apareamiento cuando el LED está lentamente parpadear.
3. Navegue a la pantalla de configuración de su dispositivo Bluetooth, busque "AquaSport™ Max" y conecte.

Nota: No se conecte con **iSP161_BLE**; está reservado exclusivamente para conectar la aplicación ION Sound XP™. Si tiene problemas para conectarse, seleccione "Forget this Device" (Olvidar este dispositivo) en su dispositivo Bluetooth e intente conectarse nuevamente.

Nota: Si su dispositivo Bluetooth solicita un código de apareamiento, ingrese "0000".

4. Mantenga pulsado de Bluetooth el botón para desconectar un dispositivo Bluetooth apareado.
5. Para conectarse a otro dispositivo Bluetooth, repita los paso 3.

Nota: El alcance máximo se logra cuando se utilizan dispositivos con Bluetooth 5.0 o superior.

Cómo enlazar dos altavoces AquaSport™ Max

1. Asegúrese de desconectar los dispositivos Bluetooth antes de intentar aparear los altavoces utilizando Stereo-Link™. Mantenga pulsado el botón **Bluetooth** para comenzar el proceso.
2. Pulse el botón Bluetooth dos veces en cada uno de los dos altavoces AquaSport™ Max. Los LED Bluetooth comenzarán a parpadear rápidamente de color azul para indicar que están intentando enlazarse. Espere de 10 a 30 segundos hasta que se enlacen los altavoces.

Nota: Los altavoces deben estar a una distancia máxima de 50 pies (15 m) entre sí para que se vinculen correctamente. Cuanto más cerca estén los altavoces, más rápido se conectar.

Nota: Para salir del modo Stereo-Link™, vuelva a presionar dos veces el botón **Bluetooth**.

3. Una vez que ambos altavoces están enlazados, el LED Bluetooth del altavoz secundario quedará encendido de color verde, mientras que el LED Bluetooth del altavoz principal parpadeará lentamente para indicar que está listo para aparear los altavoces enlazados en estéreo a su dispositivo Bluetooth.
4. Acceda al menú de ajustes Bluetooth de su dispositivo y seleccione el **AquaSport Max** para conectarse.
5. Para salir del modo Stereo-Link™ pulse dos veces el botón **Bluetooth** en uno de los altavoces.

Nota: Si un altavoz se encuentra en modo Stereo-Link cuando lo apaga, lo seguirá estando la próxima vez que lo encienda (se enlazan automáticamente cuando se encienden siempre que estén dentro del alcance del otro y se enciendan con menos de 15 segundos de diferencia entre sí).

Cómo atender llamadas mediante Bluetooth

Nota: Debe encender y aparear el AquaSport™ Max con su dispositivo Bluetooth a fin de poder utilizarlo para escuchar música o como teléfono manos libres.

Para rechazar una llamada entrante, mantenga pulsado el botón de **reproducción/pausa** durante dos segundos.

Para atender una llamada entrante, pulse el botón de **reproducción/pausa** y luego suéltelo rápidamente.

Durante una llamada, pulse los botones de +/- para ajustar el volumen de su interlocutor.

Cuando desee finalizar una llamada, pulse el botón de **reproducción/pausa**. En este instante, se reanuda la reproducción del audio Bluetooth.

Conexión Smart Connect con asistentes inteligentes

1. Conecte un dispositivo mediante Bluetooth.
2. Mantenga pulsado **Play/Pause** en el AquaSport™ Max para entrar al modo Smart Connect. Esta acción enviará un mensaje al dispositivo Bluetooth conectado a fin de abrir su asistente inteligente nativo para que ejecute comandos de voz. Si en ese momento se está reproduciendo música, se pondrá en pausa. Para cortar la conexión, mantenga pulsado **Play/Pause** nuevamente.
3. Diga los comandos en un tono de voz normal a menos de 1 metro de distancia del micrófono del AquaSport™ Max.

Nota: Si el asistente inteligente no escucha ningún comando de voz, dejará de escuchar en base a los ajustes nativos del dispositivo (por ej., Siri deja de escuchar a los 6 segundos aproximadamente) y saldrá del modo Smart Connect. Si se estaba reproduciendo música antes del Paso 2, se reanuda su reproducción.

4. Una vez que el asistente inteligente haya respondido con un mensaje de voz, el AquaSport™ Max saldrá del modo Smart Connect. Si se estaba reproduciendo música antes del Paso 2, se reanuda su reproducción.

Usando la Radio

1. Pulse el botón **Radio**.
2. Mantenga pulsado el botones + o - para seleccionar una estación de radio.
3. Para recorrer todas las estaciones, mantenga pulsado el botón **Radio** durante 2 segundos. Para detener el escaneo, mantenga pulsado el botón **Radio** durante 2 segundos.

Nota: La última estación de radio que se sintonizó antes del apagado será que la se sintonice al volver a encender la unidad.

Para guardar un preset de estación, utilice la aplicación de ION Sound XP™.

Para recuperar un preset de estación, pulse y suelte **reproducir/pausa** para recorrer los 6 presets.

Cómo conectar un reproductor de audio con la entrada auxiliar

1. Conecte un cable auxiliar de 3,5 mm (1/8 pulg.) a la entrada ubicada en el panel trasero del AquaSport™ Max y conecte el otro extremo a un dispositivo de audio, como por ejemplo, un reproductor de MP3 o CD. El altavoz cambiará automáticamente la fuente de audio al modo Aux pero mantendrá todos los conexiones Bluetooth.
2. Inicie la reproducción en el reproductor de música de su dispositivo. Utilice los botones **Subir y bajar volumen** para ajustar el volumen auxiliar.
Nota: Los controles de volumen del altavoz AquaSport™ Max actúan independientemente de su dispositivo conectado. Baje el volumen de su dispositivo si se produce distorsión en la señal.
3. Para salir del modo auxiliar, simplemente desconecte el cable auxiliar y el altavoz regresará al modo Bluetooth.

Modo de iluminación

Pulse y suelte el botón **Light** para alternar entre las siguientes opciones de iluminación:

- **Off:** Apaga las luces LED.
- **LED del Woofer encendidas:** Si no se está reproduciendo música, los colores RGB cambiarán lentamente de tenues a brillantes y de un color al siguiente recorriendo todo el espectro de colores. Cada color cambiará su brillo de tenue a intenso antes de pasar al siguiente color. Si se está reproduciendo música, las luces cambiarán de color en sincronización con el ritmo de la misma.
- **LED blanco:** Si no se está reproduciendo música, el LED quedará permanentemente encendidos. Si se está reproduciendo música, el LED blanco parpadeará en sincronización con el ritmo de la misma.
- **LED cian:** Si no se está reproduciendo música, el LED quedará permanentemente encendido. Si se está reproduciendo música, el LED cian parpadeará en sincronización con el ritmo de la misma.
- **LED magenta:** Si no se está reproduciendo música, el LED magenta quedará permanentemente encendido. Si se está reproduciendo música, el LED magenta parpadeará en sincronización con el ritmo de la misma.

Notas:

Al encender el altavoz por primera vez, el modo por defecto de LED del woofer es el de sincronización con el ritmo.

El altavoz recordará el último ajuste realizado antes de apagarse. Los ajustes y modos de colores pueden realizarse desde la aplicación ION Sound XP™.

Control de aplicación

IMPORTANTE: Para asegurarse la mejor experiencia posible con la aplicación, utilice el Android OS o IOS más actualizado en su dispositivo.

Siga los pasos indicados a continuación para descargar la aplicación a su dispositivo:

1. En su dispositivo, vaya a la tienda de aplicaciones respectiva de Apple o Google Play. Luego busque la aplicación gratuita **ION Sound XP**.
2. Siga las instrucciones que aparecen en la pantalla para descargar e instalar la aplicación. Una vez descargada, la aplicación **ION Sound XP** aparecerá en la pantalla de inicio de su dispositivo.
3. Conecte su dispositivo al altavoz AquaSport™ Max mediante Bluetooth. Consulte **Cómo aparear un dispositivo de Bluetooth** para saber cómo hacer esto.
4. Abra la aplicación ION Sound XP™. Si se le pide elegir, permita a la aplicación acceder a los servicios de Bluetooth y ubicación de su dispositivo.
5. Toque para seleccionar **Add A Product** en la pantalla. La aplicación escaneará y encontrará AquaSport™ Max.

Si tiene problemas para conectarse, toque **¿Necesita ayuda para la configuración?** para obtener consejos adicionales.

6. Seleccione el icono **AquaSport™ Max** para pasar a la próxima pantalla, en donde podrá utilizar la aplicación para controlar diversas funciones del altavoz tales como:
 - **Radio:** Reproducir la radio, cambiar estaciones y editar presets.
 - **Ajuste de la EQ:** Ajuste la ecualización de las bandas de graves, medios y agudos del altavoz.
 - **Avisos de voz :** Activar o desactivar los avisos de voz.
 - **Preset de EQ:** Seleccione uno de los presets de EQ del menú desplegable.
 - **Volumen:** Ajustar el volumen del altavoz.
 - **TWS:** Ventana de texto con instrucciones para el enlace TWS.
 - **Efectos de iluminación:** Elija la sección de LED individual que se enciende o apaga, y recorra los siguientes efectos de iluminación: ciclo de colores, sincronización con el ritmo, encendido permanente o desactivado.
 - **Estado de la batería:** Muestra el nivel de la batería.
 - **Soporte:** Visite ionaudio.com, contáctese con soporte técnico y obtenga información sobre la garantía y preguntas frecuentes.

Solución de problemas

Si la unidad no se carga: Asegúrese de que el cable de alimentación esté conectado correctamente a la entrada de corriente y a la toma de corriente.

Si el sonido está distorsionado: Pruebe bajando el control de volumen de su fuente de sonido.

Si los graves son demasiado fuertes: Intente ajustando el control de tono o ecualización de su AquaSport™ Max o fuente de sonido para reducir el nivel de graves. De esta forma podrá reproducir la música con más volumen antes de que se produzca el recorte (distorsión).

Si no puede conectar su dispositivo de audio al AquaSport™ Max mediante Bluetooth:

- Mantenga su dispositivo de audio (por ej., teléfono inteligente [smartphone] o tableta) y el AquaSport™ Max lo más cerca posible entre sí al realizar la conexión. Asegúrese que tanto el dispositivo de audio como el AquaSport™ Max no estén obstruidos por paredes, muebles, etc.
- Reinicie la conexión Bluetooth del AquaSport™ Max para desconectarlo AquaSport™ Max de cualquier otro dispositivo de audio y reinicie el proceso de búsqueda. Si esto no funciona en seguida, apague el AquaSport™ Max y luego vuelva a encenderlo. Para más información, consulte [Cómo aparear un dispositivo de Bluetooth](#).
- Reinicie la conexión Bluetooth de su dispositivo de audio apagando el Bluetooth y luego volviendo a encenderlo. Puede encontrar esta opción dentro del menú Bluetooth en los ajustes de su teléfono o dispositivo de audio.

Si esto no funciona y ya se había conectado al AquaSport™ Max anteriormente, busque AquaSport™ Max en la lista de dispositivos disponibles o previamente conectados en el menú Bluetooth de su dispositivo de audio, toque el icono de engranaje o "i" ubicado junto a él y luego seleccione **Desaparear** u **Olvidar**. Apague el AquaSport™ Max, luego vuelva a encenderlo e intente aparearlo nuevamente una vez que vuelva a aparecer en su lista de dispositivos disponibles.

Nota: Si AquaSport™ Max ya ha sido recientemente apareado con otro dispositivo de audio que aún se encuentre dentro del alcance, es posible que tenga que repetir este proceso con ese dispositivo de audio para desconectarlo completamente.

Si experimenta cortes en el audio al reproducir música desde un dispositivo Bluetooth, es posible que esto suceda debido a que su unidad está intentando enlazarse con otro altavoz. Esto puede ocurrir si apaga un altavoz que estaba enlazado con su unidad o si acaba de encender su unidad y la misma se encuentra en modo Stereo-Link. Para detener los cortes de audio, salga del modo Stereo-Link pulsando dos veces el **botón Bluetooth**. Como alternativa, puede esperar a que su unidad se enlace con otro altavoz si es que hay uno dentro del alcance.

Si hay una demora en la señal de audio entre los altavoces izquierdo y derecho una vez enlazados, interrumpa el enlace pulsando dos veces el botón de enlace y vuelva a aparearlos nuevamente siguiendo las instrucciones de la sección [Cómo enlazar dos altavoces AquaSport™ Max](#).

Si desea impedir que su unidad se enlace automáticamente cuando la enciende, asegúrese de pulsar dos veces el **botón Link** para salir del modo Stereo-Link™ antes de apagarlo.

Guide d'utilisation (Français)

Présentation

Contenu de la boîte

AquaSport^{MC} Max

Câble de micro USB (100 cm / 3,2 pieds)

Guide d'utilisation rapide

Assistance technique

MISE EN GARDE : Gardez tout appareil non étanche (téléphones, lecteurs, etc.) dans un endroit sec à l'abri des éclaboussures et des risques de décharges électriques.

Important : Veuillez vous assurer d'avoir complètement chargé la batterie avant la première utilisation afin d'augmenter sa durée de vie.

Rechargement

Pour un rechargement plus rapide, mettez la AquaSport^{MC} Max hors tension et utilisez le câble de rechargement micro-USB fourni afin de brancher l'enceinte à un adaptateur d'alimentation USB (CC 5V 2A, fourni) puis à une prise secteur, ou un ordinateur sous tension.

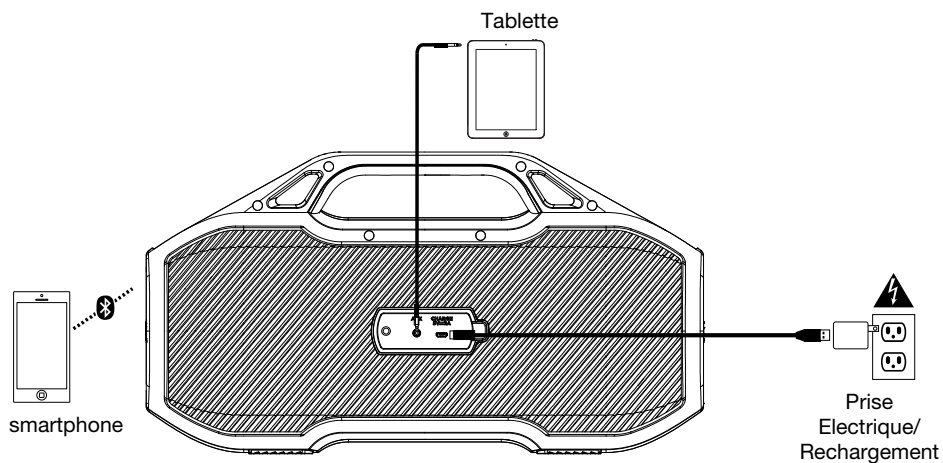
La DEL (situé au-dessus de la touche d'alimentation) devient rouge lors du rechargement de la batterie, même si l'enceinte est hors tension. Cette DEL s'éteint lorsque le rechargement est terminé. Lorsque la batterie de la AquaSport^{MC} Max est faible, la DEL rouge clignote trois fois toutes les 60 secondes. Si les messages vocaux sont activés, vous entendrez également « Battery Low ».

Si aucun son n'est diffusé par la AquaSport^{MC} Max pendant plus de 15 minutes, l'appareil s'éteindra automatiquement pour économiser de l'énergie.

Installation

Schéma de connexion

Les articles qui ne figurent pas dans l'encadré **Contenu de la boîte** sont vendus séparément.



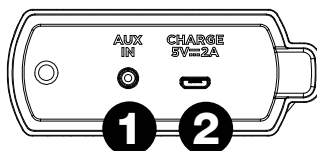
Caractéristiques

Panneau avant

1. **Touche Bluetooth** : Pour déjumeler un appareil Bluetooth, maintenir cette touche enfoncée.
2. **Marche / arrêt** : Maintenez cette touche enfoncée afin de mettre le AquaSport^{MC} Max sous et hors tension.

Remarque : Appuyez rapidement 2 fois sur la touche d'alimentation pour activer ou désactiver les messages vocaux. Les messages vocaux peuvent également être activés et désactivés dans l'application ION Sound XP^{MC}.

Remarque : Le AquaSport^{MC} Max s'éteint automatiquement après 15 minutes lorsqu'aucun appareil Bluetooth n'est jumelé ou lorsqu'aucun signal audio n'est détecté.

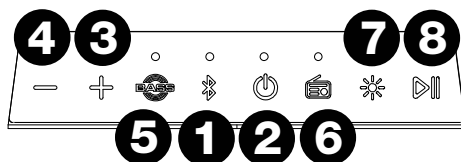


3. **Volume +** : Cette touche et relâchez permet d'augmenter le volume du AquaSport^{MC} Max. Maintenir cette touche enfoncée pour passer à la piste Bluetooth suivante.
4. **Volume -** : Cette touche et relâchez permet de diminuer le volume du AquaSport^{MC} Max. Maintenir cette touche enfoncée pour passer à la piste Bluetooth précédente.
5. **Bass Boost** : Appuyer et relâcher cette touche pour augmenter ou diminuer la réponse en basse fréquence.
6. **Radio** : Appuyer sur cette touche pour sélectionner la radio FM. Maintenir les touches +/- enfoncées pour balayer les stations de radio. Sélectionner les préréglages radio à partir de l'application ION Sound XP^{MC}. Appuyer rapidement sur la touche **Play/Pause** pour parcourir les préréglages à partir de l'enceinte.
7. **Modes d'éclairage** : Appuyer sur cette touche ou utiliser l'application pour illuminer les haut-parleurs d'extrêmes graves de différentes couleurs. Lorsqu'aucune musique ne joue, les haut-parleurs d'extrêmes graves restent allumés. Lorsque la musique joue, les lumières changent de couleur et se synchronisent au rythme de la musique.
8. **Play/Pause** : En mode Bluetooth, appuyer et relâcher cette touche pour lancer ou interrompre la lecture d'une piste Bluetooth. Maintenir la touche **Play/Pause** enfoncée pour déclencher l'assistant intelligent de votre appareil iOS ou Android. Énoncer la commande dans le microphone situé sous des touches - et +.

Panneau arrière

Remarque : Utilisez votre ongle pour retirer le protecteur en caoutchouc du panneau arrière de la AquaSport^{MC} Max.

1. **Entrée auxiliaire** : Cette entrée stéréo 3,5 mm permet de brancher un lecteur de disques compacts, lecteur MP3 ou autres sources audio.
2. **Port micro USB** : Utilisez le câble USB inclus pour relier ce port au port USB d'un ordinateur ou d'un chargeur de téléphone afin de recharger la pile du AquaSport^{MC} Max.



Remarque : Veuillez vous assurer que l'appareil et ses connexions sont secs avant de le recharger. Ne jamais recharger l'appareil lorsqu'il est mouillé.

Jumelage d'un appareil Bluetooth

1. Mettez votre périphérique Bluetooth sous tension.
2. Mettez le AquaSport^{MC} Max sous tension et il passera automatiquement en mode jumelage afin de rechercher les périphériques Bluetooth. Vous saurez que vous êtes en mode jumelage lorsque la DEL devient lentement clignoter.
3. Accédez à l'écran de configuration de votre périphérique Bluetooth, recherchez « AquaSport^{MC} Max » et lancez le jumelage.

Remarque : Ne vous connectez pas à **iSP161_BLE** ; ceci est exclusivement réservé à la connexion à l'application ION Sound XP^{MC}. Si vous rencontrez des problèmes lors de la connexion, sélectionnez "Oublier cet appareil" sur votre appareil Bluetooth et essayez de vous connecter à nouveau.

Remarque : Si votre périphérique Bluetooth vous demande d'entrer un code de jumelage, entrez « 0000 ».

4. Maintenez cette touche enfoncée puis relâchez la touche Bluetooth pour déconnecter le périphérique Bluetooth branché.
5. Pour jumeler un autre périphérique Bluetooth, répétez les étapes 3.

Remarque : La plage maximale peut être atteinte avec l'utilisation d'appareils dotés de Bluetooth 5.0 ou de versions ultérieures.

Raccordement en série de deux enceintes AquaSport^{MC} Max

1. Veillez à déconnecter tout appareil Bluetooth avant d'essayer de raccorder deux enceintes avec Stereo-Link^{MC} en maintenant la touche **Bluetooth**.
2. Appuyez deux fois sur la touche Bluetooth sur chacune des enceintes AquaSport^{MC} Max. Les DEL Bluetooth deviendront bleues et commenceront à clignoter rapidement afin d'indiquer qu'elles tentent de se raccorder. Le raccordement des enceintes peut prendre de 10 à 30 secondes.

Remarque : Les haut-parleurs doivent être à moins de 50' (15 m) l'un de l'autre pour se synchroniser correctement. Plus les enceintes sont proches, plus elles se synchroniseront rapidement.

Remarque : Pour quitter le mode Stereo-Link^{MC}, appuyez à nouveau deux fois sur le bouton **Bluetooth**.

3. Lorsque les deux enceintes sont reliées, la DEL Bluetooth de l'enceinte secondaire est verte, alors que la DEL Bluetooth de l'enceinte principale est bleue et clignote lentement afin d'indiquer qu'elle est prête à être jumelée à un appareil Bluetooth.
4. Accédez au menu des paramètres Bluetooth de votre appareil et sélectionnez **AquaSport Max** pour le jumeler.
5. Pour quitter le mode Stereo-Link^{MC}, appuyez deux fois sur le bouton **Bluetooth** de l'une des enceintes.

Remarque : Lorsqu'une enceinte est en mode Stereo-Link lors de la mise hors tension, elle demeurera en mode Stereo-Link lors de la remise sous tension. Elles se relieront automatiquement lors de la remise sous tension tant qu'elles sont à proximité l'une de l'autre et remisent sous tension à moins de 15 secondes d'intervalle.

Appels Bluetooth

Remarque : Vous devez mettre l'AquaSport^{MC} Max sous tension et la jumeler avec votre appareil Bluetooth avant de pouvoir écouter de la musique ou de prendre des appels.

Pour rejeter un appel entrant, maintenez la **touche pour lancer et interrompre la lecture** enfoncée pendant deux secondes.

Pour prendre un appel entrant, appuyez puis relâchez rapidement la **touche pour lancer et interrompre la lecture**.

Pendant un appel, appuyez sur les **touches du Volume** pour régler le volume de l'interlocuteur.

Pour mettre fin à l'appel, appuyez sur la **touche pour lancer et interrompre la lecture**. La lecture Bluetooth reprendra aussitôt.

Se connecter un assistant intelligent via Smart Connect

1. Jumelez un appareil via la connexion Bluetooth.
2. Maintenez la touche **Play/Pause** de l'enceinte AquaSport^{MC} Max enfoncée pour passer en mode Smart Connect. Ceci envoie un message à l'appareil Bluetooth connecté pour qu'il active son assistant intelligent et puisse détecter une commande vocale. Si vous effectuez cette opération alors que de la musique joue, elle sera mise en pause. Pour annuler l'opération, maintenez la touche **Play/Pause** enfoncée.
3. Placez-vous à moins d'un mètre du microphone et énoncez à un volume normal les commandes vers l'enceinte AquaSport^{MC} Max.

Remarque : Si aucune commande n'est énoncée, l'assistant intelligent arrête la détection selon les paramètres de l'appareil (p. ex., Siri s'arrête après environ 6 secondes) et quitte le mode Smart Connect. S'il y a de la musique qui joue avant de procéder à l'étape 2, la lecture de la musique reprendra.

4. Une fois que l'assistant intelligent a répondu, l'enceinte AquaSport^{MC} Max quitte le mode Smart Connect. S'il y a de la musique qui joue avant de procéder à l'étape 2, la lecture de la musique reprendra.

Utiliser la radio

1. Appuyez sur la touche **Radio**.
2. Maintenez touches + ou - enfoncée afin de sélectionner une station radio.
3. Pour balayer toutes les stations, maintenez la touche **Radio** enfoncée pendant 2 secondes. Pour arrêter le balayage, maintenez la touche **Radio** enfoncée pendant 2 secondes.

Remarque : La dernière station de radio sur laquelle la radio était réglée lors de la mise hors tension sera la station sur laquelle la radio sera réglée lors de la remise sous tension.

Pour programmer une station, utilisez l'application ION Sound XP^{MC}.

Pour rappeler une station programmée, appuyez puis relâchez la touche **Play/Pause** pour parcourir les 6 préréglages.

Connexion d'un appareil audio à l'aide de l'entrée Aux

1. Brancher un câble auxiliaire de 3,5 mm à l'entrée du panneau arrière de la AquaSport^{MC} Max et brancher l'autre extrémité à un appareil audio tel qu'un lecteur MP3 ou CD. Le haut-parleur basculera automatiquement la source audio en mode Aux mais maintiendra toutes les connexions Bluetooth.
2. Appuyez sur la touche de lecture sur votre appareil. Utilisez les **Boutons de volume haut/pas** pour régler le volume de l'entrée auxiliaire.

Remarque : Les commandes de volume des enceintes AquaSport^{MC} Max agissent indépendamment de celle de l'appareil auxiliaire. Réduisez le volume sur l'appareil auxiliaire en cas de distorsion.

3. Pour quitter le mode auxiliaire, débranchez simplement le câble auxiliaire et l'enceinte reviendra en mode Bluetooth.

Mode d'éclairage

Appuyez et relâchez la touche **Light** pour parcourir toutes les options d'éclairage :

- **Éteintes :** Toutes les DEL sont éteintes.
- **DEL du haut-parleur d'extrêmes graves allumées :** Si aucune musique ne joue, les couleurs RVB passent lentement de l'ombre à la lumière, d'une couleur à l'autre, sur l'ensemble du spectre des couleurs. Chaque couleur diminue en luminosité et augmente en luminosité avant de passer à la couleur suivante. Lorsque la musique joue, les lumières changent de couleur et se synchronisent au rythme de la musique.
- **DEL blanche :** Lorsqu'aucune musique ne joue, la DEL blanche est allumée sans clignoter. Lorsque la musique joue, la DEL blanche clignote au rythme de la musique.
- **DEL cyan :** Lorsqu'aucune musique ne joue, la DEL cyan est allumée sans clignoter. Lorsque la musique joue, la DEL cyan clignote au rythme de la musique.
- **DEL magenta :** Lorsqu'aucune musique ne joue, la DEL magenta est allumée sans clignoter. Lorsque la musique joue, la DEL magenta clignote au rythme de la musique.

Remarques :

Lorsque vous allumez l'enceinte pour la première fois, les DEL du haut-parleur d'extrêmes graves sont allumées et synchronisées au rythme de la musique.

L'enceinte rappellera le dernier réglage sur lequel elle se trouvait lorsqu'elle a été mise hors tension. Les réglages et les modes de couleur peuvent être modifiés dans l'application ION Sound XP^{MC}.

Contrôle d'application

IMPORTANT : Afin de profiter de la meilleure expérience possible avec l'application, assurez-vous d'avoir la toute dernière version Android OS ou iOS sur votre appareil.

Veillez suivre les étapes ci-dessous afin de télécharger l'application sur votre appareil :

1. Accédez au Apple App Store ou à Google Play à partir de votre appareil. Recherchez l'application **ION Sound XP^{MC}**.
2. Suivez ensuite les consignes à l'écran afin de la télécharger et de l'installer. Une fois téléchargée, l'application **ION Sound XP^{MC}** s'affiche sur la fenêtre d'accueil de votre appareil.
3. Connectez votre appareil à AquaSport^{MC} Max via Bluetooth. Veuillez consulter la section **Jumelage d'un appareil Bluetooth** pour savoir comment procéder.
4. Ouvrez l'application ION Sound XP^{MC}. Si vous y êtes invité, autorisez l'application à accéder aux services Bluetooth et de localisation de votre appareil.
5. Appuyez sur pour et sélectionnez **Add A Product** sur l'écran. L'application va scanner et trouver AquaSport^{MC} Max.

Si vous éprouvez des problèmes de connexion, appuyez sur « **Help with setting up?** » afin d'obtenir des conseils supplémentaires.

6. Sélectionnez l'icône AquaSport^{MC} Max pour passer à la fenêtre suivante, où vous pouvez utiliser l'application pour contrôler diverses fonctions de l'enceinte comme :
 - **Radio** : Ce réglage permet d'écouter la radio, de changer la station et de modifier les pré-réglages.
 - **Réglage de l'égalisation (EQ)** : Cette option permet de régler l'égalisation des bandes de fréquences basses, moyennes et hautes de l'enceinte.
 - **Messages vocaux** : Ce réglage permet d'activer et de désactiver les messages vocaux.
 - **Pré-réglage d'égalisation (EQ)** : Sélectionnez les pré-réglages EQ à partir du menu déroulant.
 - **Volume** : Ce réglage permet d'ajuster le volume de l'enceinte.
 - **TWS** : Fenêtre textuelle contenant les instructions pour le mode TWS.
 - **Effets d'éclairage** : Cette option permet de sélectionner les sections DEL individuelles qui seront activées et de sélectionner l'effet d'éclairage parmi les modes cycle de couleur, synchronisation à la musique, toutes allumées et toutes éteintes.
 - **État de la batterie** : Affiche le niveau de charge de la batterie.
 - **Assistance technique** : Ce réglage permet d'accéder à ionaudio.com, de contacter l'assistance technique et de consulter les informations de garantie et les questions fréquemment posées.

Dépannage

Si l'appareil ne se recharge pas : Veuillez vous assurer que le câble d'alimentation secteur est correctement branché à l'entrée d'alimentation et à une prise secteur.

Lorsqu'il y a de la distorsion : Essayez de diminuer le volume sur l'appareil d'entrée audio ou l'instrument de musique. Essayez également de diminuer le volume de la AquaSport^{MC} Max.

Lorsqu'il y a trop de basses fréquences : Essayez de régler le niveau de tonalité et d'égalisation de la AquaSport^{MC} Max ou de la source d'entrée audio afin de diminuer le niveau des basses fréquences. Cela vous permettra d'augmenter le volume de la musique avant que l'écrêtage se produise.

Si vous ne pouvez connecter votre appareil audio à la AquaSport^{MC} Max par connexion Bluetooth :

- Veillez à ce que votre appareil audio (p. ex., téléphone intelligent ou tablette) et la AquaSport^{MC} Max soient le plus près possible l'un de l'autre lors du jumelage. Veillez également à ce qu'aucun obstacle ne se trouve entre l'appareil audio et la AquaSport^{MC} Max, comme des murs, des meubles, etc.
- Réinitialisez la connexion Bluetooth sur la AquaSport^{MC} Max afin de supprimer toute connexion à la AquaSport^{MC} Max et recommencer le processus de recherche d'appareil. Si cela ne fonctionne pas immédiatement, mettez la AquaSport^{MC} Max hors tension et de nouveau sous tension. Veuillez consulter la section [Jumelage d'un appareil Bluetooth](#) afin d'en savoir plus.
- Réinitialisez la connexion Bluetooth sur l'appareil audio en désactivant et réactivant la connexion Bluetooth. Vous pouvez effectuer ceci à partir du menu Bluetooth dans les réglages de votre téléphone intelligent ou autre appareil audio.

Si cela ne fonctionne pas et que vous avez déjà connecté votre appareil à la AquaSport^{MC} Max auparavant, veuillez rechercher la AquaSport^{MC} Max dans la liste des appareils disponibles ou précédemment connectés dans le menu Bluetooth de votre appareil audio, puis appuyer sur l'icône engrenage ou « i » située à côté de « Oublier cet appareil ». Mettez la AquaSport^{MC} Max hors tension et de nouveau sous tension et réessayez de la jumeler une fois qu'elle apparaît dans la liste des appareils disponibles.

Remarque : Si la AquaSport^{MC} Max a été récemment jumelée à un autre appareil audio qui est toujours dans son champ de portée, il se peut que vous deviez répéter ce processus avec cet appareil audio afin de supprimer la connexion.

Si vous éprouvez des pertes audio lorsque vous écoutez de la musique à partir d'un appareil Bluetooth, il se peut que la AquaSport^{MC} Max tente de se connecter à une autre enceinte. Ceci peut se produire lorsque vous éteignez une enceinte reliée à la AquaSport^{MC} Max ou lorsque vous venez tout juste d'allumer celle-ci et qu'elle est en mode Link. Pour supprimer les pertes audio, quittez le mode Link en appuyant deux fois sur la **touche Bluetooth**. Vous pouvez également attendre qu'elle se connecte à une autre enceinte s'il y en a une à sa portée.

Si il y a un retard dans le signal audio entre les enceintes gauche et droite lorsqu'elles sont reliées, rompez le lien en appuyant deux fois sur la touche Link et jumelez-les de nouveau en suivant les instructions de la section [Raccordement en série de deux enceintes AquaSport^{MC} Max](#).

Si vous souhaitez éviter que l'enceinte tente de se connecter automatiquement lorsque vous la mettez sous tension, assurez-vous d'appuyer deux fois sur la **touche Bluetooth** pour quitter le mode Stereo-Link^{MC} avant de la mettre hors tension.

Appendix

Technical Specifications

Dimensions (Depth x Width x Height)	6.50" x 15.75" x 8.15" 165 x 400 x 207 mm
Weight	5.51 lbs 2.50 kg
Output Power	60 W
Frequency Response	115 Hz - 15 kHz
Water Resistance Class	IP67
Bluetooth Version	5.3
Bluetooth Profile	A2DP, AVRCP
Bluetooth Range*	Up to 100' / 30.4 m
Aux Input	3.5 mm (1/8") line-level
Battery Type	Internal rechargeable Li Ion battery
Battery Life**	Up to 20 hours (at 20% volume, lights on) **
Recharge Time	Up to 6 hours
Charge Port	micro-USB (5V, 2A)

Specifications are subject to change without notice.

* Bluetooth range is affected by walls, obstructions, and movement. For optimal performance, place the product in your room at line of sight, so it is unaffected by walls, furniture, etc.

** Battery life may vary based on temperature, age, and volume usage of product.

Trademarks and Licenses

ION Audio is a trademark of ION Audio, LLC, registered in the U.S. and other countries.

Google is a registered trademark of Google Inc.

Siri is a trademark of Apple Inc., registered in the U.S. and other countries.

The Bluetooth word mark and logos are owned by the Bluetooth SIG, Inc. and any use of such marks by ION Audio is under license.

All other product or company names are trademarks or registered trademarks of their respective owners.

ionaudio.com