



*If you have questions or comments, contact us.  
Si tiene dudas o comentarios, contáctenos.*

**1-888-394-3392**

**INSTRUCTION MANUAL  
MANUAL DE INSTRUCCIONES**

**DEWALT®**

**DXAEOBD / DXAEOBDK  
Battery Charger & Maintainer  
Cargador y Mantenedor de Batería**



**Intertek**

RD110222

### **Note:**

*DXAEOBDK is packaged in a kit format to include both the Battery Maintainer and the accessories (DeWalt 20V Charger and Battery). This instruction manual covers operation of the Battery Maintainer. Please read and refer to the additional manual (included) for instructions specific to the Battery and Charger (Charger model DCB115).*

### **Nota:**

*DXAEOBDK es empaquetado en formato de kit para incluir tanto el Mantenedor de la Batería como los accesorios (el Cargador y la Batería DeWalt 20V). Este manual de instrucciones cubre el funcionamiento del Mantenedor de la Batería. Lea y consulte el manual adicional que se incluye para obtener instrucciones específicas para la Batería y el Cargador (modelo de Cargador: DCB115).*



**⚠ WARNING:** Read all instructions before operating product. Failure to follow all instructions listed below may result in electric shock, fire and/or serious injury.

**⚠ WARNING:** This product or its power cord contains lead, a chemical known to the State of California to cause cancer and birth defect or other reproductive harm. Wash hands after handling. For more information go to [www.P65Warnings.ca.gov](http://www.P65Warnings.ca.gov).



**⚠ ADVERTENCIA:** Lea todas las instrucciones antes de utilizar el producto. No seguir todas las instrucciones que aparecen a continuación pueden provocar descargas eléctricas, incendios y/o lesiones graves.

**⚠ ADVERTENCIA:** Este producto o su cable de alimentación contiene plomo, una sustancia química reconocida por el Estado de California como causante de cáncer, defectos de nacimiento u otros problemas reproductivos. Lávese las manos después de utilizarlo. Para más información, visite [www.P65Warnings.ca.gov](http://www.P65Warnings.ca.gov).

## Definitions: Safety Guidelines

The definitions below describe the level of severity for each signal word. Please read the manual and pay attention to these symbols.

**⚠ DANGER:** Indicates an imminently hazardous situation which, if not avoided, **will** result in **death or serious injury**.

**⚠ WARNING:** Indicates a potentially hazardous situation which, if not avoided, **could** result in **death or serious injury**.

**⚠ CAUTION:** Indicates a potentially hazardous situation which, if not avoided, **may** result in **minor or moderate injury**.

**NOTICE:** Indicates a practice **not related to personal injury** which, if not avoided, **may** result in **property damage**.

IF YOU HAVE ANY QUESTIONS OR COMMENTS ABOUT THIS DEWALT TOOL, CALL US TOLL FREE AT: **1-888-394-3392**.

## Battery Charger

The DEWALT DXAEOBD/DXAEOBDK Professional Battery Charger & Maintainer features a cordless 1.2A battery charging function for vehicle with OBD-II outlet.

## Important Safety Instructions

1. Save these instructions.
2. Heed all warnings.
3. Follow all instructions.
4. DO NOT EXPOSE CHARGER TO RAIN OR SNOW.
5. Clean only with a dry cloth.
6. Keep children away from the work area. Keep this unit away from children. This is not a toy!
7. Store indoors. When not in use, this unit should be stored indoors in a dry and high or locked-up place – out of the reach of children.
8. Stay alert. Use common sense. Do not operate this equipment when you are tired or impaired.
9. Only use attachments/accessories specified by the manufacturer. The use of any accessory or attachment not recommended for use with this appliance could be hazardous.
10. Use only on a flat, level surface. If a cart is used, use caution when moving the cart/apparatus combination to avoid injury from tip-over.
11. To reduce risk of electric shock, disconnect the unit from the 20V battery pack before attempting maintenance or cleaning. Turning off controls without disconnecting will not reduce this risk.
12. Do not operate charger if it has received a sharp blow, been dropped or otherwise damaged in any way; take it to a qualified serviceman.
13. Unit shall not be exposed to dripping or splashing and no objects filled with liquids shall be placed on the unit.
14. Do not operate this unit near flammable liquids or in gaseous or explosive atmospheres. Motors in these tools normally spark, and the sparks might ignite fumes.



**⚠ WARNING: RISK OF EXPLOSIVE GAS MIXTURE**

- Do not overcharge the battery – See the instruction manual.
- Never smoke or allow a spark or flame in vicinity of vehicle battery, engine or battery charger.
- Do not operate this apparatus in a closed area or restrict ventilation in any way.

**NOTICE:** This equipment has been tested and found to comply with the limits for a Class B digital device, pursuant to Part 15 of the FCC Rules. These limits are designed to provide reasonable protection against harmful interference in a residential installation. This equipment generates, uses and can radiate radio frequency energy and, if not installed and used in accordance with the instructions, may cause harmful interference to radio communications. However, there is no guarantee that interference will not occur in a particular installation. If this equipment does cause harmful interference to radio or television reception, which can be determined by turning the equipment off and on, the user is encouraged to try to correct the interference by one or more of the following measures:

- Reorient or relocate the receiving antenna.
- Increase the separation between the equipment and the receiver.
- Connect the equipment into an outlet on a circuit different from that to which the receiver is connected
- Consult the dealer or an experienced radio/TV technician for help.

**NOTICE:** Per FCC Part 15, changes or modifications to this equipment not expressly approved by manufacturer could void your authority to operate this equipment.

**READ ALL INSTRUCTIONS****Specific Safety Instructions for DeWALT® 20V Lithium-Ion Battery Packs (may not be included)**

**⚠ WARNING:** To reduce the risk of fire, electric shock, burst hazard, or injury to persons or property:

Lithium-ion batteries must be used and charged properly. Improper use can result in serious injury, fire, or death.

- Lithium-ion batteries can explode in the presence of a source of ignition. Do not use the product in the presence of an open flame.
- Do not place this lithium-ion battery powered unit in fire or apply heat to it.
- Do not subject this lithium-ion battery powered unit to strong impacts or shocks. The battery in this unit contains safety and protection devices which, if damaged, may cause the battery to generate heat, rupture or ignite.
- Do not expose this lithium-ion battery powered unit to water or salt water, or allow the battery to get wet.
- Avoid storing this lithium-ion battery powered unit in the basement, bathroom or other areas of the house that are or may become wet or humid or where moisture may concentrate.
- Do not leave this lithium-ion battery powered unit in direct sunlight, or use or store the unit inside cars in hot weather. Doing so may cause the battery to generate heat, rupture, or ignite. Using the battery in this manner may also result in a loss of performance and a shortened life expectancy.
- Never charge this unit near heat or flammable objects.

**⚠ WARNING:** NEVER THROW WATER ON A BURNING LI-ION BATTERY! If a lithium-ion battery does catch on fire, it will burn even more violently if it comes in contact with water or even moisture in the air. A fire extinguisher must be used.

**⚠ WARNING** – DO NOT expose the power pack to fire or excessive temperature. Exposure to fire or temperature above 130°C (265°F) may cause explosion.

## Specific Safety Instructions for Vehicle Battery Chargers

- This unit was designed for household use only.
- **Use of accessories and attachments:** The use of any accessory or attachment not recommended by manufacturer for use with this battery charger could be hazardous.

- **Do not operate** the battery charger near flammable liquids or in gaseous or explosive atmospheres. Motors may spark, and the sparks might ignite fumes.

**⚠ WARNING:** BURST HAZARD

- Do not use the unit for charging dry-cell batteries that are commonly used with home appliances. These batteries may burst and cause injury to persons and damage property. Use the unit for charging a 12 lead-acid volt battery only. It is not intended to supply power to a low-voltage electrical system other than in a starter-motor application.
- Never attempt to charge non-rechargeable batteries.

**⚠ WARNING:** To reduce the risk of electric shock, never immerse the battery charger in water or any other liquid, or use when wet.

**⚠ WARNING:** Risk of explosive gases:

- Working in the vicinity of a lead acid battery is dangerous. Batteries generate explosive gases during normal battery operation. For this reason, it is of the utmost importance that you follow the instructions each time you use the charger.

- To reduce the risk of battery explosion, follow these instructions and those published by the battery manufacturer and manufacturer of any equipment you intend to use in the vicinity of the battery. Review cautionary markings on these products and on the engine.

- This equipment employs parts (switches, relays, etc.) that produce arcs or sparks. Therefore, if used in a garage or enclosed area, the unit MUST be placed not less than 18 inches above the floor.

- **THIS UNIT IS NOT FOR USE BY CHILDREN AND SHOULD ONLY BE OPERATED BY ADULTS.**

**⚠ WARNING:** To reduce the risk of fire:

- Do not operate near flammable materials, dust, fumes or gases.
- Do not expose to extreme heat or flames.

**⚠ CAUTION:** To reduce the risk of injury or property damage:

- This charger is not designed for use with every make, manufacture or model of engine. Use only with 12 volt systems.

- NEVER charge a frozen battery.

- Stay clear of fan blades, belts, pulleys, and other parts that can cause injury to persons.

- Be extra cautious to avoid dropping a metal tool onto the battery. It might spark or short-circuit the battery or another electrical part, and that may cause an explosion.

- Never allow battery acid to come in contact with this apparatus.

- Always disconnect the DeWALT® 20V Battery Pack when not in use.

- DO NOT OPEN THE VEHICLE BATTERY CHARGER — there are no user-serviceable parts inside. Opening the battery charger will void manufacturer's warranty.

- Operate battery charger only as described in this Instruction Manual.

- Check battery charger and components periodically for wear and tear. Return to manufacturer for replacement of worn or defective parts immediately.

**⚠ WARNING:** To reduce the risk of injury, follow these instructions and those published by the battery manufacturer and manufacturer of any equipment you intend to use with this unit. Review cautionary markings on this product and on engine.

## The RBRC™ Seal

The RBRC™ (Rechargeable Battery Recycling Corporation) Seal on the nickel cadmium, nickel metal hydride or lithium ion batteries (or battery packs) indicate that the costs to recycle these batteries (or battery packs) at the end of their useful life have already been paid by DeWALT. In some areas, it is illegal to place spent nickel cadmium, nickel metal hydride or lithium ion batteries in the trash or municipal solid waste stream and the RBRC program provides an environmentally conscious alternative.



RBRC™, in cooperation with DeWALT and other battery users, has established programs in the United States and Canada to facilitate the collection of spent nickel cadmium, nickel metal hydride or lithium ion batteries. Help protect our environment and conserve natural resources by returning the spent nickel cadmium, nickel metal hydride or lithium ion batteries to an authorized DeWALT service center or to your local retailer for recycling. You may also contact your local recycling center for information on where to drop off the spent battery.

RBRC™ is a registered trademark of the **Rechargeable Battery Recycling Corporation**.

## Important Safety Instructions for All DeWALT® 20V Battery Pack Chargers (optional accessory)

**IMPORTANT:** Before using the charger, read all instructions and warnings included with the charger and the battery pack.

**⚠ WARNING:** Shock hazard: Do not allow any liquid to get inside the charger. Electric shock may result.

**⚠ CAUTION:** Burn hazard: To reduce the risk of injury, charge only DeWALT rechargeable battery packs. Other types of batteries may overheat and burst resulting in personal injury and property damage.

**NOTICE:** Always unplug the charger from the power supply when there is no battery pack in the cavity. Unplug the charger before attempting to clean.

- DO NOT attempt to charge the battery pack with any chargers other than the ones in this manual. The charger and battery pack are specifically designed to work together.
- These chargers are not intended for any uses other than charging DeWALT rechargeable batteries. Any other uses may result in risk of fire, electric shock or electrocution.
- Do not expose the charger to rain or snow.
- Pull by the plug rather than the cord when disconnecting the charger to reduce the risk of damage to the electric plug and cord.
- Make sure that the cord is located so that it will not be stepped on, tripped over or otherwise subjected to damage or stress.
- Do not use an extension cord unless it is absolutely necessary. Use of improper extension cord could result in risk of fire, electric shock or electrocution.
- When operating a charger outdoors, always provide a dry location and use an extension cord suitable for outdoor use.
- An extension cord must have adequate wire size (AWG) for safety. The smaller the gauge number of the wire, the greater the capacity of the cable, that is, 16 gauge has more capacity than 18 gauge. An undersized cord will cause a drop in line voltage resulting in loss of power and overheating. The following table shows the correct size to use depending on cord length and nameplate ampere rating. If in doubt, use the next heavier gauge. The lower the gauge number, the heavier the cord.

MINIMUM GAGE FOR CORD SETS				
Total Length of Cord in Feet				
<b>Volts</b>				
<b>120V</b>	<b>0-25</b> (0-7.6m)	<b>26-50</b> (7.6-15.2m)	<b>51-100</b> (15.2-30.4m)	<b>101-150</b> (30.4-45.7m)
<b>240V</b>	<b>0-50</b> (0-15.2m)	<b>51-100</b> (15.2-30.4m)	<b>101-200</b> (30.4-60.9m)	<b>201-300</b> (60.9-91.4m)
<b>Ampere Rating</b>	<b>Extension Cord Length</b>			
<b>More Than</b>	<b>Not more Than</b>	<b>0'-25'</b>	<b>26'-50'</b>	<b>51'-100'</b>
		<b>American Wire Gage (AWG)</b>		
0 -	6	18	16	16
6 -	10	18	16	14
10 -	12	16	16	14
12 -	16	14	12	Not Recommended

- Do not place any object on top of the charger or place the charger on a soft surface that might block the ventilation slots and result in excessive internal heat. Place the charger in a position away from any heat source.
- Do not operate the charger with a damaged cord or plug.
- Do not operate the charger if it has received a sharp blow, been dropped or otherwise damaged in any way.
- Do not disassemble the charger. Incorrect reassembly may result in a risk of electric shock, electrocution or fire.
- Disconnect the charger from the outlet before attempting any cleaning. This will reduce the risk of electric shock. Removing the battery pack will not reduce this risk.
- NEVER attempt to connect two chargers together.
- The charger is designed to operate on standard 120V household electrical power. Do not attempt to use it on any other voltage.

## Personal Precautions

- Consider having someone close enough by to come to your aid when you work near a lead-acid battery.
- Wear complete eye protection and clothing protection. Avoid touching eyes while working near battery.
- Have plenty of fresh water and soap nearby in case battery acid contacts skin, clothing, or eyes.
- Remove personal metal items such as rings, bracelets, necklaces and watches when working with a lead acid battery. A lead acid battery can produce a short circuit current high enough to weld a ring, or similar metal object, to skin causing a severe burn.
- If battery acid contacts skin or clothing, wash immediately with soap and water. If acid enters eye, immediately flood eye with running cold water for at least 10 minutes and get medical attention immediately.
- NEVER smoke or allow a spark or flame in vicinity of battery or engine.
- Be extra cautious to reduce risk of dropping a metal tool onto battery. It might spark or short-circuit battery or other electrical part that may cause explosion.

### ▲ CAUTION: First aid:

- **Skin:** if battery acid comes in contact with skin, rinse immediately with water, then wash thoroughly with soap and water. If redness, pain, or irritation occurs, seek immediate medical attention.
- **Eyes:** If battery acid comes in contact with eyes, flush eyes immediately, for a minimum of 15 minutes and seek immediate medical attention.

## Important Notes:

Several factors can affect a charger's ability to charge a vehicle's battery, including, but not limited to, the size of the vehicle battery, the



temperature (hot or cold), whether the battery is damaged or defective, and whether the **DeWALT® 20V Battery Pack** is fully charged.

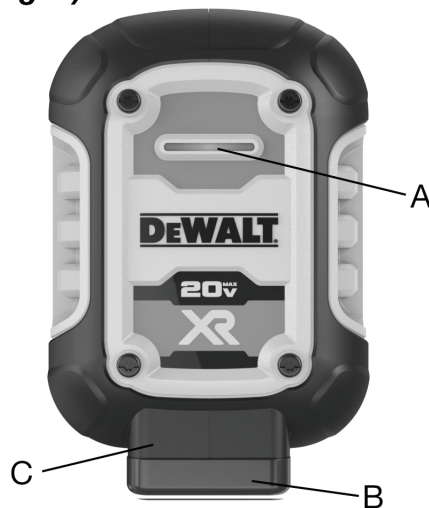
The **DeWALT® Vehicle Battery Charger** requires a minimum voltage to detect the correct connection before it will begin to charge. If the voltage of the vehicle battery is too low, the charger may not be able to detect connection and may not be able to charge the vehicle. While this low battery voltage is rare, it may occur under extreme conditions.

## SAVE THESE INSTRUCTIONS FOR FUTURE USE

### Components (Fig. 1)

- A. Charge Status and Fault Indicator
- B. OBD-II Charging Cable & Plug
- C. OBD-II Plug Dock

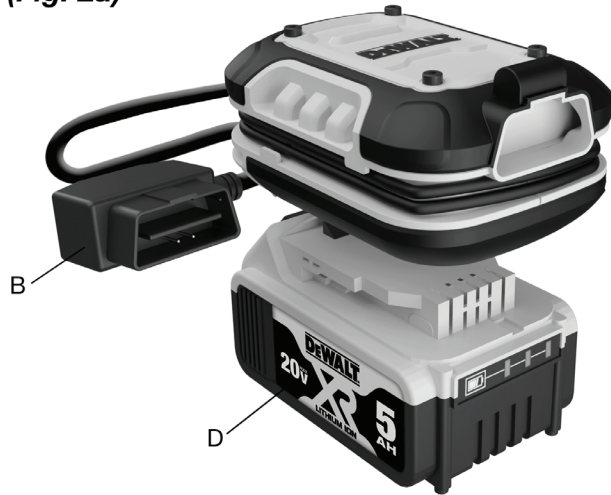
(Fig. 1)



## Back Panel Components (Fig. 2a)

D. DEWALT 20V Lithium Battery Pack (optional accessory)

(Fig. 2a)

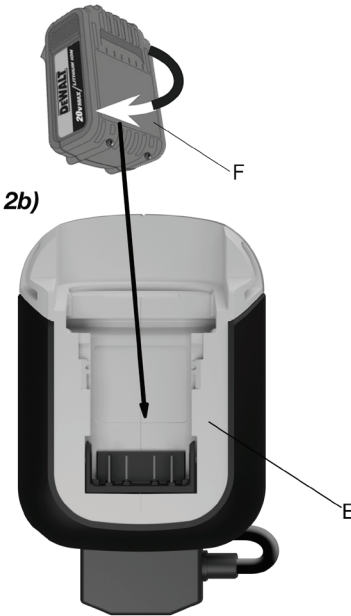


## Back Panel Components (Fig. 2b)

E. Battery Pack Terminal

F. DeWALT® 20V Battery Pack (fits flush within the brackets of the Battery Pack Terminal Connector – refer to Fig. 2a)

(Fig. 2b)



## Power Supply

**The DeWALT® 20V Battery Pack may not be included:** This unit is powered exclusively by the DeWALT® 20V Battery Pack (may be sold separately). It must be fully recharged via the compatible DeWALT® dedicated Battery Charger (may be sold separately). Refer to the corresponding instructions included with the Battery Pack and Charger. In order to operate this Vehicle Battery Charger, the fully charged DeWALT® 20V Battery Pack must be properly installed into the 20V battery terminal connector on the back of unit. Make sure the DeWALT® 20V Battery Pack is properly locked into the battery pack terminal connector (E) (as shown in Figure 2b).

**IMPORTANT:** When replacing the DEWALT 20V Battery Pack, please make sure to wait three minutes before installing a battery pack. Otherwise, the unit may not operate properly.

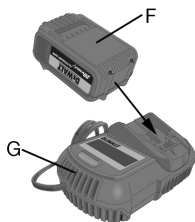
## Chargers

- DeWALT® 20V Battery Packs use DeWALT chargers. Be sure to read all safety instructions before using the charger.
- Consult the chart at the end of this manual for compatibility of chargers and DeWALT® 20V battery packs.

## CHARGING PROCEDURE

1. Plug the charger into an appropriate outlet before inserting the DeWALT® 20V battery pack.
2. Insert the battery pack (F) into the charger (G), as shown in Figure 3, making sure the pack is fully seated in charger. The red (charging) light will blink continuously, indicating that the charging process has started.

(Fig. 3)



3. The completion of charge will be indicated by the red light remaining ON continuously. The pack is fully charged and may be used at this time or left in the charger.

# Operating Instructions

## Automotive Charging Using the Included OBD-II Charging Cable & Plug

### PREPARING TO CHARGE

1. Determine voltage of vehicle battery by referring to car owner's manual and make sure it matches output rating of Vehicle Battery Charger (12V).
2. STUDY ALL BATTERY MANUFACTURER'S SPECIFIC PRECAUTIONS, SUCH AS REMOVING OR NOT REMOVING CELL CAPS WHILE CHARGING, AND RECOMMENDED RATES OF CHARGE.

### FOLLOW THESE STEPS TO MAINTAIN THE BATTERY

**▲ WARNING** – A spark near the battery may cause an explosion. To reduce risk of a spark near the battery:

1. Do not charge the battery while the engine is operating.
2. Unwrap the OBD-II charging cable & plug from the unit.
3. Insert the OBD-II plug into the OBD-II outlet inside the vehicle. Make sure there is a good contact.
4. See next section for length of charge information

### MEMORY SAVER FUNCTION:

1. The Battery Charger & Maintainer can help save your vehicle's system settings while replacing the car battery. Without this, power is lost to the vehicles' computer, causing custom settings to reset to the factory default. Using the Battery Charger & Maintainer will

preserve custom settings such as dashboard information, digital clock, acoustics, memory seat settings, ABS, anti-skid system and electric mirror evaluation.

2. Your vehicle's OBD-II port is usually located under the dashboard on the driver's side. Consult your owner's manual to locate.

**▲ CAUTION:** Changing of the vehicle battery should be done by a professional. Battery connection will be live during this process, so use caution. Review all the battery manufacturer's and vehicle manufacturer's safety instructions and warnings prior to disconnecting the battery.

#### **OPERATION:**

1. Turn off ignition, lights and anything that draws power.
2. Shut the doors to ensure interior lights and headlights turn off.
3. Disconnect the battery terminals following all precautions from vehicle manufacturer.
4. The vehicle's electrical system receives power for memory saver through the OBD-II connection. Therefore, the vehicle's battery connectors are electrically live and should be covered with an insulator to prevent the connectors from touching metal or each other and causing a short circuit.
5. During battery replacement, DO NOT turn on the ignition, as this may damage the OBD-II unit.

#### **CHARGE STATUS/FAULT INDICATOR LED**

1. After connecting the Battery Charger to the vehicle's OBD-II port, the Charge Status/Fault Indicator will light solid for one hour. In this period, the Battery Charger acts as a power supply to maintain the vehicle computer system. This feature will keep all of your car's computer memory alive while you change the main vehicle battery.
2. After one hour, the Charge Status/Fault Indicator will flash once every six seconds to indicate the unit is in charging/maintaining mode. In this mode, the unit will charge the vehicle battery if necessary.

3. When the vehicle battery has been charged to about 12.5V, the unit will go to sleep mode for five hours. After five hours, the unit will wake up and check the voltage of the vehicle battery. The unit will charge/maintain the vehicle battery again if necessary. The unit will go to sleep mode again when the vehicle battery has been charged to about 12.5V.

#### **IMPORTANT NOTES:**

- If the voltage of the DEWALT 20V Battery Pack is low, the Charge Status/Fault Indicator will flash rapidly for 60 seconds before the unit automatically shuts down. For best performance, fully charge the DeWALT 20V battery. Refer to the "Troubleshooting" section.
- If the voltage of the vehicle battery is too low, the Charge Status/Fault Indicator will flash rapidly for 60 seconds before the unit automatically shuts down. Refer to the "Troubleshooting" section.
- If the DEWALT 20V Battery Pack is overheated or is too cold, the Charge Status/Fault Indicator will flash rapidly for 60 seconds before the unit automatically shuts down. Refer to the "Troubleshooting" section.
- Make sure the battery pack is removed from the unit when the unit is not in use or stored. Or the battery pack may be drained.

### ***Maintenance Instructions***

- Never submerge the unit in water. If the unit gets dirty, gently clean the outer surfaces of the unit with a soft, dry cloth.
- There are no user-replaceable parts. Periodically inspect the condition of connectors and wires. Contact manufacturer to replace any components that have become worn or broken.

## Troubleshooting

Problem	Possible Solution
The unit will not charge the vehicle battery	Connect unit to the OBD-II port,
	Ensure good contact between the OBD-II plug and OBD-II outlet.
	The voltage of the vehicle battery is too low. The Charge Status/Fault Indicator will flash rapidly for 60 seconds before the Battery Charger automatically shuts down.
	The vehicle battery may in fault condition and cannot accept the charging. Manufacturer recommends taking it to a certified automotive service center for evaluation.
	The voltage of the DeWALT® 20V Battery Pack may be low. The Charge Status/Fault Indicator will flash rapidly for 60 seconds before the Vehicle Battery Charger automatically shuts down. Disconnect the Vehicle Battery and fully charge the DeWALT® 20V Battery Pack, following the directions included with the dedicated DeWALT® 20V Battery Pack Charger.
	If the DeWALT® 20V Battery Pack is overheated or is too cold, the Charge Status/Fault Indicator will flash rapidly for 60 seconds before the Battery Charger automatically shuts down. Disconnect the Battery Clamps and allow the unit to cool down or warm up for a period before resuming any operation.

## Accessories

**▲WARNING:** Since accessories, other than those offered by manufacturer, have not been tested with this product, use of such accessories with this unit could be hazardous. To reduce the risk of injury, only manufacturer-recommended accessories should be used with this product.

If you need assistance regarding accessories, please contact the manufacturer at 1-888-394-3392 or CustomerService@dewalt12volt.com.

## Service Information

Whether you need technical advice, repair, or genuine factory replacement parts, contact the manufacturer at 1-888-394-3392 or CustomerService@dewalt12volt.com.

## One Year Limited Warranty

The manufacturer warrants this product against defects in material and workmanship for a period of one (1) year from the date of retail purchase by the original end-user purchaser ("Warranty Period").

If there is a defect and a valid claim is received within the Warranty Period, the defective product can be repaired, replaced or refunded, without charge, in the following ways: (1) Return the product to the manufacturer for repair, replacement or refund at manufacturer's option. Proof of purchase may be required by manufacturer. (2) Return the product to the retailer where product was purchased for an exchange (provided that the store is a participating retailer). Returns to retailer should be made within the time period of the retailer's return policy for exchanges only (usually 30 to 90 days after the sale). Proof of purchase may be required. Please check with the retailer for their specific return policy regarding returns that are beyond the time set for exchanges.

This warranty does not apply to: accessories, bulbs, fuses and batteries; defects resulting from normal wear and tear, accidents;

damages sustained during shipping; alterations; unauthorized use or repair; neglect, misuse, abuse; and failure to follow instructions for care and maintenance for the product.

This warranty gives you, the original retail purchaser, specific legal rights and you may have other rights which vary in certain states or provinces. This product is not intended for commercial use.

The photos in this manual may differ from the actual unit.

### 90 DAY REFUND POLICY

If you are not completely satisfied with the performance of this product for any reason, you can return it within ninety (90) days from the date of purchase with a receipt for a full refund.

Please visit our website [www.baccusglobal.com/register](http://www.baccusglobal.com/register) to register your new Baccus Global LLC product and to be kept up to date on new products and special offers.

## Specifications

<b>Input:</b>	15 - 21V DC, 1.0A max.
<b>Output:</b>	14.8V DC, 1.2A

## Compatible DeWALT® 20V Battery Packs

This Vehicle Battery Charger is compatible (only) with the following 20 Volt DeWALT® Battery Packs:

Battery Pack Catalog #	120 Volt Battery Charger Catalog #
DCB200	DCB101, DCB102, DCB103, DCB106, DCB107, DCB112, DCB115
DCB201	
DCB203	
DCB204	
DCB205	
DCB206	
DCB207	
DCB606	
DCB609	

Imported by Baccus Global LLC,  
621 NW 53rd St., Suite 450, Boca Raton, FL 33487  
[www.dewalt12volt.com](http://www.dewalt12volt.com) 1-888-394-3392  
Made in China

Copyright © 2022 Baccus Global, LLC. DeWALT® and the DeWALT Logo are trademarks of the DeWALT Industrial Tool Co., or an affiliate thereof and are used under license. The yellow/black color scheme is a trademark for DeWALT power tools & accessories.  
[www.dewalt.com](http://www.dewalt.com)

### **Definiciones: Normas de seguridad**

Las siguientes definiciones describen el nivel de gravedad de cada palabra de señal. Lea el manual y preste atención a estos símbolos.

▲ **PELIGRO:** Indica una situación de peligro inminente que, si no se evita, provocará **la muerte o lesiones graves**.

▲ **ADVERTENCIA:** Indica una situación de peligro potencial que, si no se evita, **podría provocar la muerte o lesiones graves**.

▲ **ATENCIÓN:** Indica una situación de peligro potencial que, si no se evita, **posiblemente provocaría lesiones leves o moderadas**.

**AVISO:** Se refiere a una práctica **no relacionada a lesiones corporales** que de no evitarse **puede resultar en daños a la propiedad**.

SI TIENE ALGUNA DUDA O ALGÚN COMENTARIO SOBRE ÉSTA HERRAMIENTA DEWALT, LLÁMENOS AL NÚMERO GRATUITO: 1-888-394-3392.

### **Cargador de Batería**

El Cargador y Mantenedor de Batería Profesional DEWALT DXAEOBD/ DXAEOBDK cuenta con una función de carga de batería inalámbrica 1.2A para vehículos con salida OBD-II.

## **Instrucciones importantes sobre seguridad**

1. Conserve estas instrucciones.
2. Preste atención a todas las advertencias.
3. Obedezca todas las advertencias.
4. **NO EXPONGA EL CARGADOR A LA LLUVIA O A LA NIEVE.**
5. Limpie únicamente con un trapo seco.
6. Mantenga a los niños lejos del área de trabajo. Mantenga esta unidad alejada de los niños. Esto no es un juguete!
7. Guarde en el interior. Cuando no los utilice, los artefactos deben guardarse bajo techo, en un lugar seco, alto o bajo llave, lejos del alcance de los niños.
8. Manténgase alerta. Use el sentido común. No opere este equipo si está cansado o con impedimentos.
9. Utilice únicamente los aditamentos y accesorios especificados por el fabricante. El uso de cualquier accesorio o dispositivo no recomendados para su uso con este aparato puede resultar peligroso.
10. Utilice únicamente sobre una superficie plana y nivelada. Cuando use un carrito, tenga cuidado al mover la combinación de carro/aparato para evitar daños por vuelco.
11. Para reducir el riesgo de descarga eléctrica, desconecte la unidad del paquete de baterías antes de mantenimiento o limpieza. Apagar los controles sin desconectar no reducirá este riesgo.



12. No utilice el cargador si ha recibido un golpe fuerte, se ha caído o se ha dañado de alguna otra manera; llévelo a un técnico cualificado.
13. El aparato no quedará expuesto a goteos ni a salpicaduras, y no se colocarán sobre el aparato objetos llenos de líquido tales como jarrones.
14. No funcione el aparato cerca de líquidos inflamables o en atmósferas gaseosas o explosivas. Los motores de estas herramientas normalmente chispean, y las chispas pueden encender los vapores.
15. Este equipo emplea piezas (interruptores y relés) que producen arcos o chispas. Por lo tanto, si utiliza la unidad en una cochera o un área cerrada, DEBE colocarla a no menos de 457 mm (18 pulgadas) por encima del piso.

#### **⚠ ADVERTENCIA – RIESGO DE MEZCLA DE GAS EXPLOSIVA**

- No sobrecargue la batería – consulte el manual de instrucciones.
- Nunca fume, ni permita que hayan chispas o llamas cerca de la batería del vehículo, del motor o del conservador de energía.
- No opere esta unidad en un área cerrada ni restrinja la ventilación de alguna forma.

**AVISO:** Este equipo ha sido probado y se ha encontrado que cumple con los límites establecidos para dispositivos digitales Clase B, en conformidad con la Parte 15 del Reglamento de la FCC. Estos límites están diseñados para ofrecer un nivel razonable de protección contra la interferencia dañina en instalaciones residenciales. Este equipo genera, utiliza y puede emitir energía de radiofrecuencia y, si no se instala y utiliza de acuerdo a las instrucciones proporcionadas, puede producir una interferencia dañina para la comunicación radial. Sin embargo, no existen garantías de que no ocurra interferencia alguna en una instalación en particular. Si este equipo produce interferencia dañina para su recepción de radio o televisión, lo que puede ser determinado

al apagar y volver a encender el equipo, se pide al usuario que corrija la interferencia implementando una o más de las siguientes medidas:

- Cambie la orientación o el lugar donde está ubicada la antena receptora.
- Aumente el espacio que separa al equipo del receptor.
- Conecte el equipo a una toma de corriente que esté en un circuito diferente al circuito al que está conectado el receptor.
- Consulte con el concesionario o con un técnico de radio y televisión experimentado que pueda ayudarle.

**AVISO:** De acuerdo con la FCC Parte 15, los cambios o modificaciones a este equipo que no sean expresamente aprobados por DeWALT® podrían invalidar su autoridad para operar este equipo.

## **LEA TODAS LAS INSTRUCCIONES**

### **Instrucciones de seguridad específicas para las baterías del litio-ion (puede no estar incluido)**

**⚠ ADVERTENCIA –** Para reducir el riesgo de fuego, de descarga eléctrica, de peligro de la explosión, o de lesiones o daños a la propiedad: Baterías del litio-ion son pequeñas, compactas e ideal para proporcionar energía duradera a esta unidad. Sin embargo, deben ser utilizadas y ser cargadas correctamente. El uso incorrecto puede dar lugar a lesión serio, a fuego, o a muerte.

- Las del litio-ion pueden estallar en presencia de una fuente de ignición. No utilice el producto en presencia de una llama abierta.
- No ponga esta unidad con baterías del litio-ion en fuego ni aplique el calor a él.
- No sujete esta unidad con baterías del litio-ion a los impactos o a los choques fuertes. La batería en esta unidad contiene los



dispositivos de la seguridad y de protección que, si están dañados, pueden hacer la batería generar calor, romper o encender.

- No exponga esta unidad accionada por la batería del litio-ion para regar o agua salada, o permita que la batería consiga mojada.
- Evite almacenar esta batería de litio-ion dispositivo eléctrico en el sótano, cuarto de baño u otras áreas de la casa que están o pueden quedar mojados o húmedos o donde la humedad puede concentrarse.
- No deje esta unidad accionada por la batería del litio-ion en luz del sol directa, o utilice o almacene la unidad dentro de los coches en tiempo caliente. El hacer tan puede hacer la batería para generar calor, para romper, o para encender. Usando la batería de este modo puede también dar lugar a una pérdida de funcionamiento y de una esperanza de vida acortada.
- Nunca cargue esta unidad cerca de calor o de objetos inflamables.

**⚠ ADVERTENCIA:** ¡NUNCA LANCE EL AGUA EN UNA BATERÍA ARDIENTE DE LI-ION! Si una batería del litio-ion coge en el fuego, quemará más violentamente si entra en contacto con el agua o aún la humedad en el aire. Un extintor debe ser utilizado.

**⚠ ADVERTENCIA:** NO exponga la unidad de alimentación al fuego ni a una temperatura excesiva. La exposición al fuego o la temperatura por encima de 130°C (265°F) pueden causar una explosión.

### **Instrucciones de seguridad específicas para cargadores de batería**

- Esta unidad ha sido diseñada para uso doméstico únicamente.
- **Uso de accesorios y dispositivos.** El uso de accesorios o dispositivos no recomendados para este cargador de batería puede resultar peligroso.
- **No opere** el cargador de la batería cerca de líquidos inflamables o en atmósferas gaseosas o explosivas. Los motores pueden chispear, y las chispas pudieron encender gases inflamables.

### **⚠ ADVERTENCIA:** Peligro de Estallido:

• No use la unidad para cargar baterías de celda seca que se usan comúnmente con electrodomésticos. Estas baterías pueden explotar y causar lesiones a las personas y daños a la propiedad. Use la unidad para cargar una batería de 12 voltios de plomo-ácido únicamente. No está diseñada para suministrar energía a un sistema eléctrico de bajo voltaje que no esté en una aplicación de motor de arranque.

• Nunca intente cargar baterías no recargables.

**⚠ ADVERTENCIA:** Para reducir el riesgo de descarga eléctrica: Nunca sumerja la unidad en el agua ni en ningún otro líquido, ni la utilice cuando esté húmeda.

### **⚠ ADVERTENCIA – Riesgo de gases explosivos:**

- Trabajar cerca de una batería de plomo ácido es peligroso. Las baterías generan gases explosivos durante su funcionamiento normal. Por esta razón, es muy importante que SIGA LAS INSTRUCCIONES CADA VEZ QUE UTILICE EL CARGADOR.
- Para reducir el riesgo de explosión de la batería, siga estas instrucciones y las publicadas por el fabricante de la batería y el fabricante de cualquier equipo que tenga la intención de utilizar cerca de la batería. Revise las indicaciones sobre precauciones en estos productos y en el motor.
- Este equipo emplea piezas (interruptores y relés) que producen arcos o chispas. Por lo tanto, si utiliza la unidad en una cochera o un área cerrada, DEBE colocarla a no menos de 46 cm (18 pulgadas) por encima del piso.
- **PARA REDUCIR EL RIESGO DE LESIONES, ESTA UNIDAD SÓLO DEBE SER OPERADA POR ADULTOS, NO FUE DISEÑADA PARA QUE LA UTILICEN LOS NIÑOS.**
- **⚠ ADVERTENCIA – Para reducir el riesgo de incendio:**
  - No opere cerca de materiales, vapores, polvos o gases inflamables.
  - No lo exponga al calor extremo o a llamas.

**⚠ PRECAUCIÓN** – Para reducir el riesgo de lesiones o daño a la propiedad:

- Este cargador no está diseñado para ser usado con todas las marcas, fabricantes o modelos de motores. Use solo con sistemas de 12 voltios.

- **NUNCA CARGUE UNA BATERÍA CONGELADA.**

- No cargue la batería mientras el motor está en marcha.

- Manténgase alejado de las paletas de ventilador, correas, poleas y otras partes que pueden provocar lesiones a las personas.

- Sea extremadamente cuidadoso para evitar dejar caer una herramienta de metal sobre la batería. Podría chispa o un cortocircuito en la batería o en otra parte eléctrica, y esto puede provocar una explosión.

- Nunca permita que el ácido de la batería entre en contacto con esta unidad.

- Siempre desconecte el paquete de baterías cuando no esté en uso.

- No abra el cargador de batería: no hay piezas que el usuario pueda reparar en su interior. Abrir el cargador de batería anulará la garantía del fabricante.

- Opere la unidad solamente como se describe en este manual de instrucciones.

- Revise el cargador de batería y sus componentes periódicamente por uso y desgaste. Regrese al fabricante para el reemplazo de piezas desgastadas o defectuosas inmediatamente.

**⚠ ADVERTENCIA:** Para reducir el riesgo de lesiones, siga estas instrucciones y las publicadas por el fabricante de la batería y el fabricante de cualquier equipo que tenga la intención de utilizar con esta unidad. Revise las indicaciones sobre precauciones en estos productos y en el motor.

## **El sello RBRC™**

El sello RBRC™ (Rechargeable Battery Recycling Corporation) en las baterías (o unidades de batería) de níquel cadmio, níquel e hidruro metálico o de iones de litio indica que el costo de reciclaje de estas baterías (o unidades de batería) al llegar al final de su vida de servicio ya ha sido pagado por DeWALT. En algunas áreas, es ilegal depositar baterías de níquel cadmio, níquel e hidruro metálico o de iones de litio gastadas en la basura o la corriente de residuos sólidos urbanos; el programa RBRC proporciona una alternativa ecológica.



RBRC™, en cooperación con DeWALT y otros usuarios de baterías, han establecido programas en los Estados Unidos y Canadá para facilitar la recolección de baterías de níquel cadmio, níquel e hidruro metálico o de iones de litio gastadas. Al llevar sus baterías de níquel cadmio, níquel e hidruro metálico y de iones de litio gastadas a un centro de servicio autorizado por DeWALT o al minorista local para que sean recicladas, ayuda a proteger el medio ambiente y a conservar recursos naturales. También puede comunicarse con el centro de reciclaje de su localidad para mayor información sobre dónde llevar sus baterías gastadas.

RBRC™ es una marca comercial registrada de **Rechargeable Battery Recycling Corporation.**

## **Instrucciones importantes de seguridad para todos los cargadores de baterías (accesorio opcional)**

**IMPORTANTE:** Antes de usar el cargador, lea todas las instrucciones y advertencias incluidas con el cargador y el paquete de baterías.

**⚠ ADVERTENCIA** – Peligro de descarga eléctrica: No permita que ningún líquido se introduzca en el cargador. Puede producir descargas eléctricas..

**⚠ PRECAUCIÓN** – Peligro de quemaduras: Para reducir el riesgo de lesiones, sólo cargue unidades de batería recargables marca DeWALT. Otros tipos de batería podrían sobrecalentarse y reventar lo que podría resultar en lesiones corporales y daños a su propiedad.

**AVISO:** Desenchufe siempre el cargador cuando no haya una unidad de batería en su cavidad. Desenchufe el cargador antes de intentar limpiarlo.

- NO intente cargar la unidad de batería con otros cargadores que no sean los descritos en este manual. El cargador y la unidad de batería fueron específicamente diseñados para trabajar en conjunto.
- Estos cargadores no fueron diseñados para ser utilizados para más que cargar las baterías recargables DeWALT. Cualquier otro uso puede producir riesgo de incendios, descargas eléctricas o electrocución.
- No exponga el cargador a la lluvia o a la nieve.
- Tire del enchufe y no del cable cuando desconecte el cargador. De esta forma se reduce el riesgo de daño al enchufe y cable.
- Asegúrese de que el cable no sea ubicado de manera que podría ser pisado, causar que alguien tropiece con él o ser expuesto a otro tipo de daños y desgastes.
- No use un alargador a menos que sea absolutamente necesario. El uso de un alargador incorrecto podría producir riesgo de incendios, descargas eléctricas o electrocución.
- Cuando opere un cargador al exterior, hágalo siempre en un lugar seco y use un alargador apropiado para uso al exterior.
- Los hilos del alargador deben ser de un calibre apropiado (AWG) para su seguridad. Mientras menor sea el calibre del hilo, mayor la capacidad del cable. Es decir, un hilo calibre 16 tiene mayor capacidad que uno de 18. Un cable de un calibre insuficiente causará una caída en la tensión de la línea dando por resultado una pérdida de energía y sobrecalentamiento. La tabla siguiente

muestra el tamaño correcto a utilizar, dependiendo de la longitud del cable y del amperaje nominal de la placa de identificación. Si tiene dudas sobre cuál calibre usar, use un calibre mayor. Cuanto menor sea el número del calibre, más resistente será el cable.

CALIBRE MÍNIMO PARA LOS JUEGOS DE CABLES					
Voltios	Largo total del cable en pies				
120V	0-25 (0-7.6m)	26-50 (7.6-15.2m)	51-100 (15.2-30.4m)	101-150 (30.4-45.7m)	
240V	0-50 (0-15.2m)	51-100 (15.2-30.4m)	101-200 (30.4-60.9m)	201-300 (60.9-91.4m)	
Grado del amperio		Longitud de la cable de extensión			
Más que	No más que	0'-25'	26'-50'	51'-100'	101'-150'
Calibrador de alambre Americano (AWG)					
0 -	6	18	16	16	14
6 -	10	18	16	14	12
10 -	12	16	16	14	12
12 -	16	14	12	No recomendado	

- No coloque ningún objeto encima del cargador ni coloque a este sobre una superficie blanda que pudiera bloquear las ranuras de ventilación y resultar en un calor interno excesivo. Coloque el cargador en un lugar alejado de cualquier fuente de calor.
- No opere el cargador si su cable o enchufe están dañados.
- No opere el cargador si ha recibido un golpe agudo, si se ha caído o si ha sido dañado de alguna otra forma.
- No desarme el cargador. Si es reensamblado incorrectamente, puede causar descargas eléctricas, electrocución o incendios.
- Desenchufe el cargador antes de intentar limpiarlo. Esto reducirá el riesgo de descargas eléctricas. El retirar el paquete de baterías no reducirá este riesgo.
- NUNCA intente conectar 2 cargadores entre sí.

- El cargador está diseñado para operar con una corriente eléctrica estándar residencial de 120 V. No intente usarlo con ningún otro voltaje. Esto no aplica al cargador vehicular.

## **PRECAUCIONES PERSONALES**

- Cuando se trabaja con baterías de ácido de plomo, siempre asegúrese de que alguien es suficientemente cerca como para proporcionar asistencia inmediata en caso de accidente o emergencia.
- Utilice siempre protección para los ojos al emplear este producto; el contacto con el ácido de la batería puede producir ceguera o quemaduras graves. Conozca los procedimientos de primeros auxilios para el caso de contacto accidental con el ácido de la batería.
- Mantenga cerca suficiente agua fresca y jabón en caso que el ácido de la batería entre en contacto con la piel.
- Quítense todos los artículos personales que sean de metal, como anillos, pulseras y relojes cuando trabaje con una batería de ácido de plomo. Una batería de plomo puede producir un cortocircuito lo suficientemente alto como para soldar un anillo o un objeto metálico a la piel causando quemaduras graves.

### **Primeros Auxilios**

**Piel:** Si el ácido de la batería entra en contacto con la piel o la ropa, enjuáguese inmediatamente con agua, luego lávese bien con agua y jabón. Si se presenta enrojecimiento, dolor o irritación, busque asistencia médica de inmediato.

**Ojos:** Si el ácido de la batería entra en contacto con los ojos, lávese los ojos inmediatamente durante 15 minutos como mínimo y busque asistencia médica de inmediato.

## **Notas Importantes:**

Varios factores pueden afectar la capacidad de un cargador para impulsar la batería de un vehículo, incluyendo, entre otros, el tamaño de la batería del vehículo, la temperatura (fría o caliente), si la batería está dañada o defectuosa, y si el **DeWALT® paquete de batería de litio de 20V** está completamente cargado.

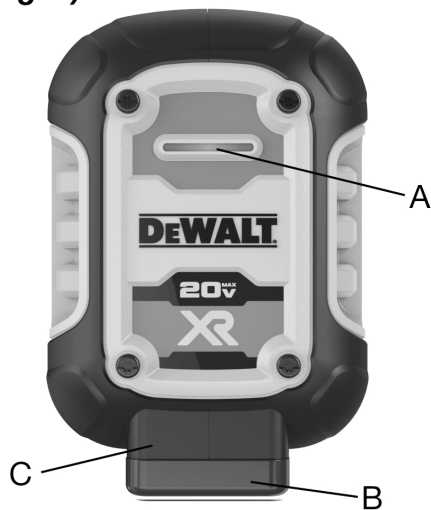
El **DeWALT® Cargador** requiere un voltaje mínimo para detectar la conexión correcta antes de que comience a aumentar. Si el voltaje de la batería del vehículo es demasiado bajo, es posible que el Cargador no pueda detectar la conexión y que no pueda cargar el vehículo. Si bien este bajo voltaje de la batería es raro, puede ocurrir en condiciones extremas.

# **GUARDE ESTAS INSTRUCCIONES PARA USO FUTURO**

## Componentes del panel frontal (Fig. 1)

- A. Indicador de Estado de Carga o de Falla
- B. Cable y Enchufe de Carga OBC
- C. Muelle de Enchufe OBD-II

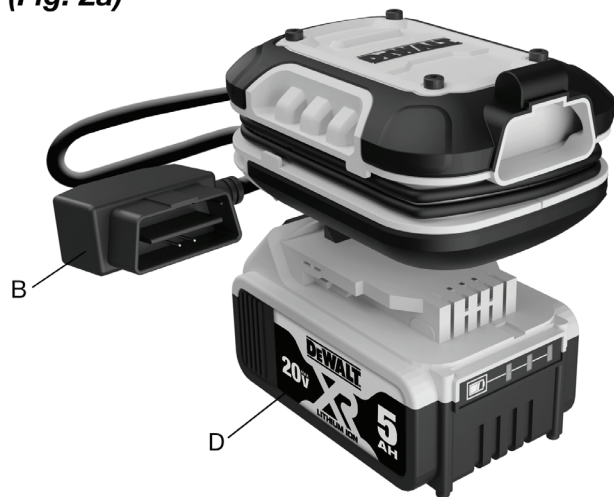
(Fig. 1)



## Componentes del panel posterior (Fig. 2a)

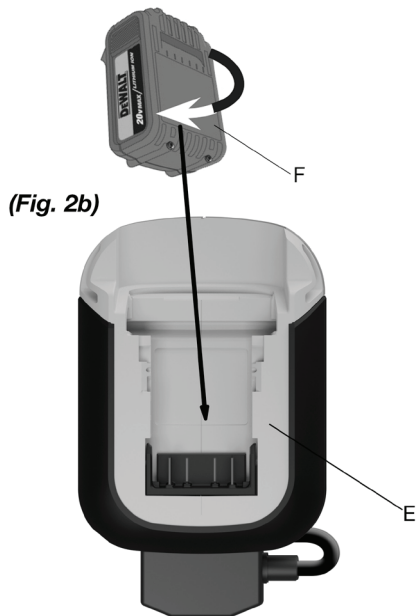
- D. Paquete de Baterías de Litio DEWALT de 20V (accesorio opcional)

(Fig. 2a)



## Componentes del panel posterior (Fig. 2b)

- E. Terminal del Paquete de Baterías
- F. Paquete de Baterías DeWALT® de 20 V (se ajusta al ras dentro de los soportes del Conector del Terminal del Paquete de Baterías. Consulte la Fig. 2a)



## Fuente de alimentación

El paquete de batería de 20V DeWALT® puede no estar incluido: Esta unidad es alimentada exclusivamente por el paquete de batería de litio DeWALT® 20V (se puede vender por separado). Debe recargarse completamente a través del cargador de batería dedicado DeWALT® (también se puede vender por separado). Consulte las instrucciones correspondientes incluidas con el paquete de la batería y el cargador. Para poder operar este cargador, el paquete de batería de litio DeWALT® 20V completamente cargado debe estar instalado correctamente en la parte posterior de la unidad. Asegúrese de que la batería esté correctamente bloqueada en el conector del terminal de la batería (E) (como se muestra en la Figura 2b).

**IMPORTANTE** – Al reemplazar el Paquete de Baterías DEWALT de 20V, asegúrese de tener un intervalo de tres minutos antes de instalar un paquete de baterías. De otro modo, es posible que la unidad no funcione correctamente.

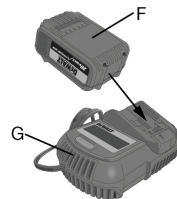
## Cargadores

- Los paquetes de baterías de 20V DeWALT utilizan cargadores DeWALT. Asegúrese de leer todas las instrucciones de seguridad antes de utilizar su cargador.
- Consulte el gráfico al final del manual para conocer la compatibilidad entre los cargadores y los paquetes de baterías.

## PROCEDIMIENTO DE CARGA

1. Enchufe el cargador en una toma de corriente apropiada antes de insertar la unidad de batería.
2. Inserte la unidad de batería (F) en el cargador (G), como se muestra en la Figura 3, comprobando que quede bien colocado dentro del mismo. La luz roja (de carga) parpadeará continuamente para indicar que se ha iniciado el proceso de carga.

(Fig. 3)



3. La carga se completa cuando la luz roja que permanece encendida continuamente. El paquete está completamente cargado y se puede usar en este momento o dejarlo en el cargador.

## Instrucciones de operación

### Cargar la batería con OBD-II cable de carga y enchufe incluidas

#### PREPARACIÓN PARA CARGAR LA BATERÍA

1. Asegure que el área alrededor de la batería es bien ventilada mientras la batería se esta cargado.
2. Estudie todas las precauciones específicas del fabricante de la batería, tales como si retirar o no las tapas de las celdas mientras se carga, y la velocidad de carga recomendada.

#### SIGA ESTOS PASOS PARA MANTENER LA BATERÍA

**⚠ ADVERTENCIA** – Una chispa cerca de la batería puede causar una explosión. Para reducir riesgo de una chispa cerca de la batería:

1. No cargue la batería mientras el motor está en marcha.
2. Instale el paquete de baterías en la unidad. Asegúrese de que el paquete esté completamente asentado en la unidad. El Indicador de Estado de Carga o de Falla se iluminará durante unos segundos, se apagará durante unos segundos y luego se iluminará de forma continua.
3. Desenvuelva el cable de carga OBD-II y el enchufe de la unidad.
4. Inserte el enchufe OBD-II en la salida OBD-II dentro del vehículo. Asegúrese de que haya un buen contacto.
5. Consulte la siguiente sección para obtener información sobre la duración de la carga

#### FUNCIÓN DEL INDICADOR LED DEL ESTADO DE CARGA / FALLA DURANTE EL PROCESO DE CARGA / MANTENIMIENTO

1. Después de conectar el Cargador de Batería al puerto OBD-II del vehículo, el Indicador de Estado de Carga o de Falla se iluminará de manera constante durante una hora. En este período, el Cargador de Baterías actúa como fuente de alimentación para mantener el sistema informático del vehículo. Esta función mantendrá activa toda la memoria de la computadora de su automóvil mientras usted cambia la batería principal del vehículo.

**⚠ ADVERTENCIA** – El cambio de la batería del vehículo debe ser realizado por un profesional. La conexión de la batería estará activa durante este proceso, tenga cuidado.

2. Después de una hora, el Indicador de Falla/Estado de Carga parpadeará una vez cada seis segundos para indicar que la unidad está en modo de carga/mantenimiento. En este modo, la unidad cargará la batería del vehículo si es necesario.
3. Cuando la batería del vehículo se haya cargado a aproximadamente 12,5 voltios, la unidad entrará en modo de suspensión durante cinco horas. Después de cinco horas, la unidad se activará y verificará el voltaje de la batería del vehículo. La unidad volverá a cargar/mantener la batería del vehículo si es necesario. La unidad volverá al modo de reposo cuando la batería del vehículo se haya cargado a aproximadamente 12,5 voltios

#### NOTAS IMPORTANTES:

- Si el voltaje de la Batería DEWALT de 20V es bajo, el Indicador de Falla/Estado de Carga parpadeará rápidamente durante 60 segundos antes de que la unidad se apague automáticamente.
- Para obtener el mejor rendimiento, cargue completamente la batería DeWALT de 20V.
- Consulte la sección “Resolución de Problemas”.



- Si el voltaje de la batería del vehículo es demasiado bajo, el Indicador de Falla/Estado de Carga parpadeará rápidamente durante 60 segundos antes de que la unidad se apague automáticamente. Consulte la sección “Resolución de Problemas”.
- Si el paquete de Baterías DEWALT de 20V se sobrecalienta o está demasiado frío, El Indicador de Falla/Estado de Carga parpadeará rápidamente durante 60 segundos antes de que el Cargador de Batería se apague automáticamente. Consulte la sección “Resolución de Problemas”.
- Asegúrese de quitar el paquete de baterías de la unidad cuando la unidad no esté en uso o esté almacenada. De otro modo, el paquete de la batería puede terminar por quedar agotado.

## **Instrucciones de mantenimiento**

No sumerja sumerja esta unidad en agua. Si la unidad se ensucia, limpie las superficies exteriores con cuidado. Utilice una tela y seco. No hay piezas sustituibles por el usuario. Inspeccione periódicamente el estado de los conectores y cables. Comuníquese con el fabricante para reemplazar los componentes que se han roto o desgastado.

## **Detección de problemas**

<b>Problema</b>	<b>Solución posible</b>
<b>La unidad no cargar la batería</b>	Asegúrese de que haya un buen contacto entre el enchufe OBD-II y la salida OBD-II.
	El voltaje de la batería del vehículo es demasiado bajo. El Indicador de Estado de Carga o de Falla parpadeará durante 60 segundos antes de que el cargador de batería se apague automáticamente.
	La batería del vehículo puede estar en condición de falla y no puede aceptar la asistencia de cargar. El fabricante recomienda llevarlo a un centro de servicio automotriz certificado para su evaluación.
	El voltaje del paquete de batería de litio DEWALT® 20V puede ser bajo. El indicador de estado de cargar / de falla se parpadeará durante 60 segundos antes de que el amplificador de batería se apague automáticamente. Desconecte las pinzas de la batería y cargue completamente el paquete de baterías de litio DEWALT® de 20V, siguiendo las instrucciones incluidas con el cargador de batería DEWALT® dedicado.
	Si el paquete de baterías de litio DEWALT® 20V se sobrecalienta o está demasiado frío, el cargador de la batería se apagará automáticamente. Desconecte las pinzas de la batería y permita que la unidad se enfríe o caliente durante un período antes de reanudar cualquier operación



## Accesorios

**⚠️ ADVERTENCIA:** Debido a que no se han probado con este producto otros accesorios que no sean los que ofrece el productor, el uso de dichos accesorios con esta herramienta podría ser peligroso. Para reducir el riesgo de lesiones, con este producto deben usarse sólo los accesorios recomendados por el productor.

Si necesita ayuda con respecto a los accesorios, póngase en contacto con el fabricante al 1-888-394-3392 o CustomerService@dewalt12volt.com.

## Información de servicio

Si usted necesita asesoramiento técnico, reparación, o partes genuinas del fabricante, póngase en contacto con el fabricante al 1-888-394-3392 o CustomerService@dewalt12volt.com.

## Garantía limitada de un año

El fabricante garantiza este producto contra defectos de materiales y mano de obra durante un período de UN (1) AÑO a partir de la fecha de compra del producto por el comprador usuario final ("Período de Garantía"). Si hay un defecto y una reclamación válida se recibe dentro del período de garantía, el producto defectuoso puede ser reemplazado, reparado, o reembolsado, sin cargo, en el las siguientes maneras: (1) Devuelva el producto al fabricante para reparación, reemplazo o reembolso, a opción del fabricante. La prueba de compra puede ser requerida por el fabricante. (2) Devuelva el producto a la tienda donde el producto fue comprado para un intercambio (siempre y cuando se trate de un minorista participante). Devoluciones al minorista deben hacerse dentro del plazo de póliza de devoluciones del minorista para intercambios solamente (por lo general 30 a 90 días después de la fecha de compra). La prueba de compra puede ser requerida por el minorista. Por favor consulte la póliza de devoluciones

del minorista sobre devoluciones que están fuera del plazo establecido para intercambios.

Esta garantía no se aplica a los accesorios, bombillos, fusibles y baterías; defectos a consecuencias de desgaste normal; accidentes; daños y perjuicios sufridos durante el envío y manejo, alteraciones, reparaciones o uso no autorizado, negligencia, abuso, y si no se siguen instrucciones para el cuidado y mantenimiento del producto.

Esta garantía le otorga al comprador usuario final, derechos legales específicos y usted puede tener otros derechos que varían de estado a estado o de provincia a provincia. Este producto no está diseñado para uso comercial.

Las fotos de este manual pueden diferir de la unidad real.

## POLÍTICA DE DEVOLUCIÓN DE 90 DÍAS

Si usted no está completamente satisfecho con el rendimiento de este producto por cualquier razón, puede devolverlo en un plazo de noventa (90) días desde la fecha de compra con un recibo para un reembolso complete.

Por favor, visite nuestro sitio web [www.baccusglobal.com/register](http://www.baccusglobal.com/register) para registrar el nuevo Baccus Global LLC producto y mantenerse al tanto de los nuevos productos y ofertas especiales.

## Especificaciones

<b>Entrada:</b>	15 - 21V DC, 1.0A max
<b>Salida:</b>	14.8V DC, 1.2A

## ***Paquetes de baterías compatibles***

Este cargador de batería es compatible (solo) con los siguientes paquetes de batería de iones de litio DeWALT® de 20 voltios:

<b>Número de catálogo del paquete de batería</b>	<b>Número de catálogo de la cargador de la batería de 120V</b>
<b>DCB200</b>	<b>DCB101, DCB102, DCB103, DCB106, DCB107, DCB112, DCB115</b>
<b>DCB201</b>	
<b>DCB203</b>	
<b>DCB204</b>	
<b>DCB205</b>	
<b>DCB206</b>	
<b>DCB207</b>	
<b>DCB606</b>	
<b>DCB609</b>	

Importados por Baccus Global LLC,  
621 NW 53rd St., Suite 450, Boca Raton, FL 33487  
[www.dewalt12volt.com](http://www.dewalt12volt.com) 1-888-394-3392  
Hecho en China

Derechos Reservados © 2022 Baccus Global, LLC. DeWALT® y el logotipo son marcas comerciales de DeWALT el DeWALT Industrial Tool Co., o una filial de la misma y se utilizan bajo licencia. El esquema de color amarillo y negro es una marca comercial de herramientas y accesorios de DeWALT.  
[www.dewalt.com](http://www.dewalt.com)