

# LPH Harness Instruction Guide



## Important Notes

All LPH harnesses are designed to work on OEM Non-Amplified systems.

All LPH harnesses are designed to be modular and used in various applications. (Listed Below)

- Adding Multi-Channel Amplifiers Front -LPH-SPK(A) / (C)
- Adding Multi-Channel Amplifiers Rear -LPH-SPK(B) / (D)
- Adding Multi-Channel Amplifiers Front / Rear -LPH-SPK(A) / (B) / (C) / (D)
- Adding Mono Amplifier Standalone Subwoofer -LPH-SPK(E)
- Provides Power/Ground/ACC -LPH-SPK(F)
- Provides speaker inputs / outputs on all channels

If no powered accessories are going to be installed behind your radio you will not need to use the **LPH-SPK(F)** pigtail. If you are using this harness make sure your loose ends are connected prior to plugging in to the main LPH harness. If not connected to a device or insulated this could cause a short circuit.

## Wiring Connection Chart (All Models)

LPH-SPK (A)		LPH-SPK (B)		LPH-SPK (C)	
Front - Signal from AMP		Rear - Signal from AMP		Front - Signal to AMP	
Wire Color	Function	Wire Color	Function	Wire Color	Function
White	Front Left (+)	Green	Rear Left (+)	White	Front Left (+)
White/Black	Front Left (-)	Green/Black	Rear Left (-)	White/Black	Front Left (-)
Gray	Front Right (+)	Violet	Rear Right (+)	Gray	Front Right (+)
Gray/Black	Front Right (-)	Violet/Black	Rear Right (-)	Gray/Black	Front Right (-)
LPH-SPK (D)		LPH-SPK (E)		LPH-SPK (F)	
Rear - Signal to AMP		Signal to AMP (SUB-T)		Power Extension	
Wire Color	Function	Wire Color	Function	Wire Color	Function
Green	Rear Left (+)	Blue	Left (+)	Yellow	Constant 12V
Green/Black	Rear Left (-)	Blue/Black	Left (-)	Red	Accessory
Violet	Rear Right (+)	Red	Right (+)	Black	Ground
Violet/Black	Rear Right (-)	Red/Black	Right (-)		

**LPH-SPK (E)** Can be use in both front or rear configurations based on user preference.

**LPH-SPK (F)** Not all vehicles will provide accessory signal (Red Wire).

## Example Installation - Mono Amplifier - LPH-SPK(E)

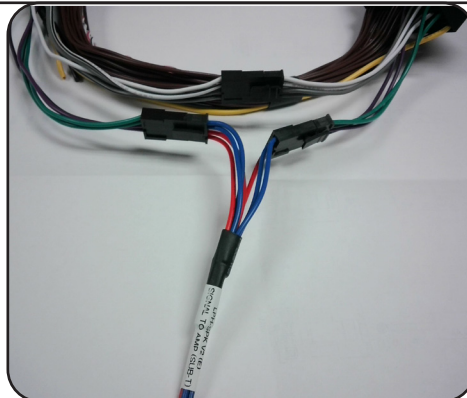


LPH TO RADIO CONNECTION

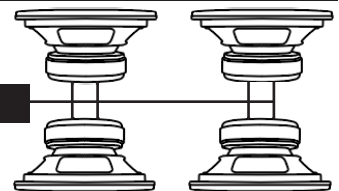
For this application you will want to split either the front or rear channels on the main LPH harness and insert (LPH-SPK(E)) in between. (See Photo).

This will provide a High-Level output for various devices such as an Amplifier, DSP, or LOC that can accept a high-level input signal.

LPH-SPK(F) can be used to provide Power, Ground, and in some cases Acc for your audio adapter (See Photo Bottom Right).



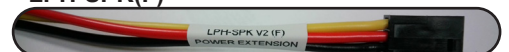
OEM RADIO HARNESS



You will want to test your vehicles factory speaker signal to verify that low level frequencies are present.

This example will also maintain your factory speaker connection as it is bypassed though the harness.

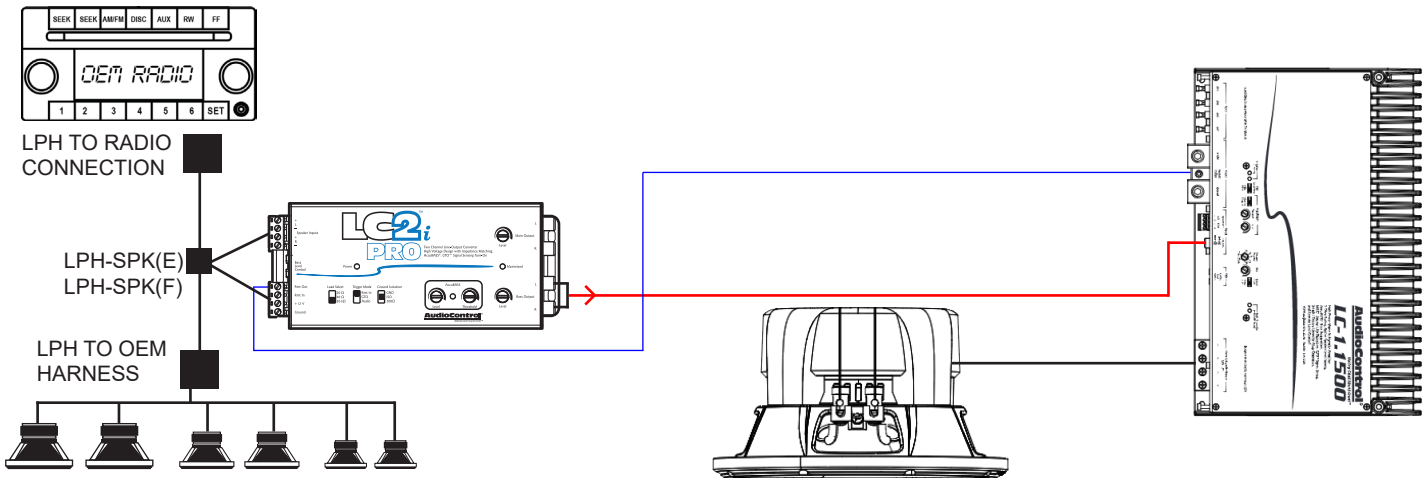
LPH-SPK(F)



# LPH Harness Instruction Guide



## Example Installation - Mono Amplifier - LPH-SPK(E) Continued



## Example Installation - Multi-Channel Amplifier - LPH-SPK(A/B/C/D)

For this application you will want to split either the front and / or rear channels on the main LPH harness and insert LPH-SPK(A-D) in between. (See Photo).

Harnesses LPH-SPK(C) and LPH-SPK (D) will provide a High-Level output for various devices such as an Amplifier, DSP, or LOC that can accept a high-level input signal.

Harnesses LPH-SPK(A) and LPH-SPK(B) will allow you to run the output of your new aftermarket amplifier back through you factory wiring.

## Example Installation - Multi-Channel Amplifier - LPH-SPK(A/B/C/D) Continued

