

DOUGI



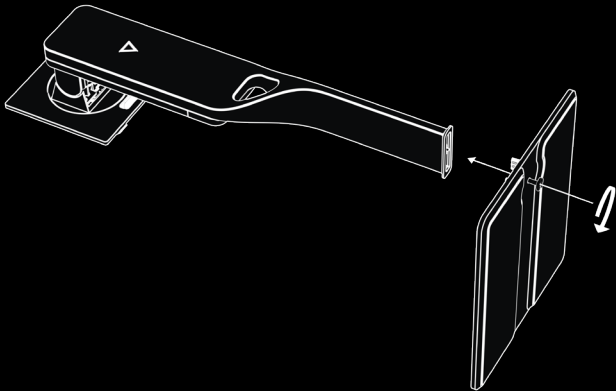
# SPECTRUM

## QUICK START GUIDE

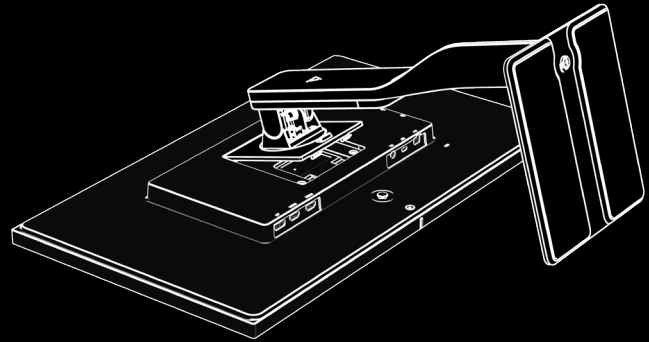
# 1. ATTACH THE STAND

The Spectrum Stand (sold separately) was designed from the ground up to be a sleek but sturdy companion to your monitor. To safely attach the Spectrum Stand, position the monitor face-down on a flat and stable surface.

Tip: To prevent damage to the screen, cover your work surface with protective sheet foam or a non-abrasive cloth.



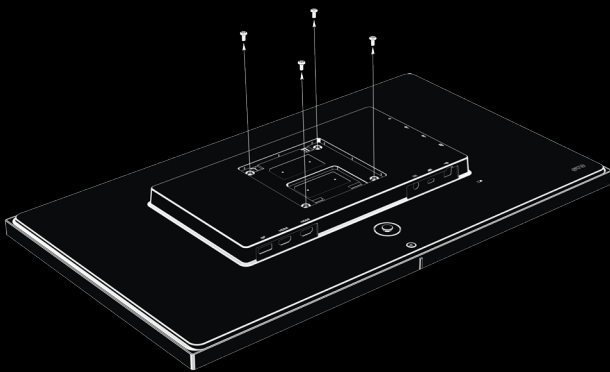
Slide the stand base into the bottom of the stand arm, and then tighten the screw on the underside of the base.



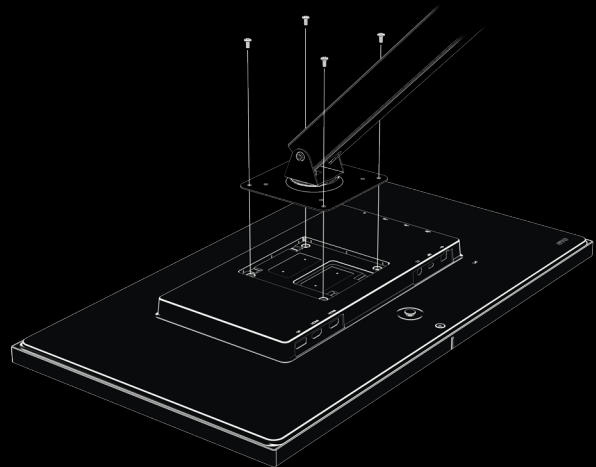
Insert the top of the stand into the back of the monitor cabinet at an angle, then press down. The stand will click into place.

## OR: ATTACH A VESA MOUNT

Spectrum is compatible with most mounting arms and wall mounts (sold separately). The mounting device should support the 100×100mm VESA Mounting Standard and should be rated to hold at least 4.7kg of weight.



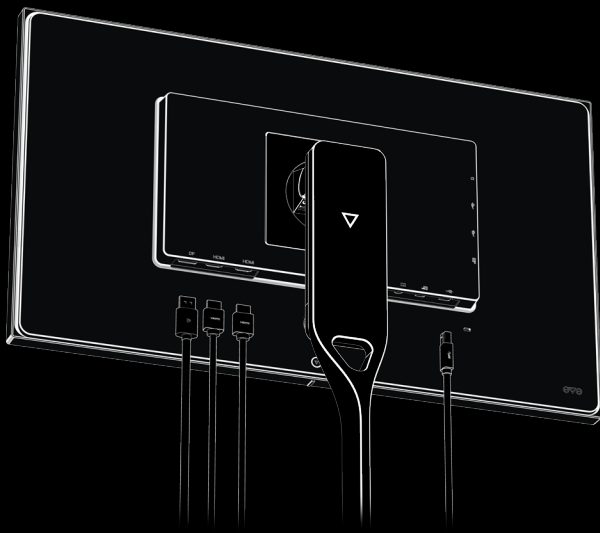
Remove the four mounting screws from the back of the monitor.



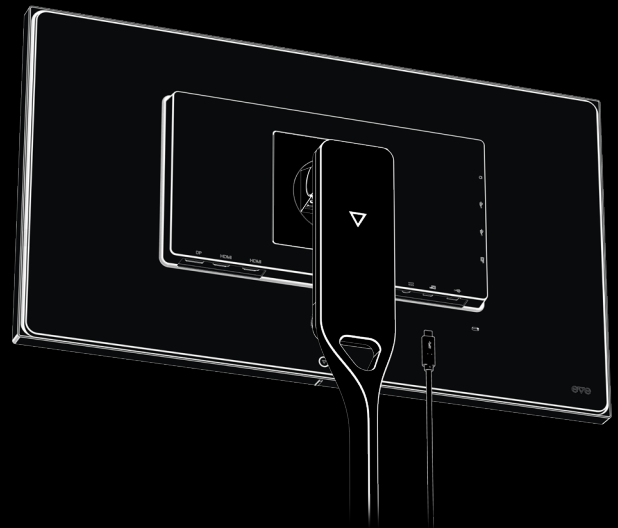
Align the screw holes on your mounting device with the four VESA screw holes in the back of the monitor, then insert and tighten the four mounting screws through the mounting device and into the monitor.

## 2. CONNECT THE CABLES

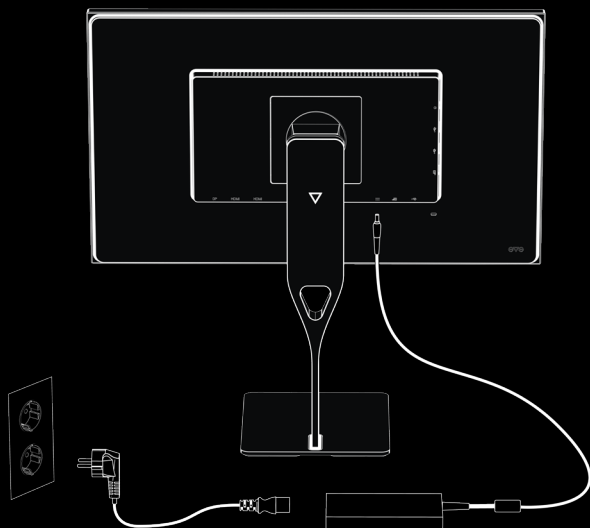
With so many ports available, it isn't surprising that not everyone intends to use the same cable types or cable lengths. Our surveys show that because of this, more than half the cables we could have included in the box would have gone to waste. That's not good for the environment, and it's not good for your wallet, either. With this in mind, we've shipped the monitor without cables.



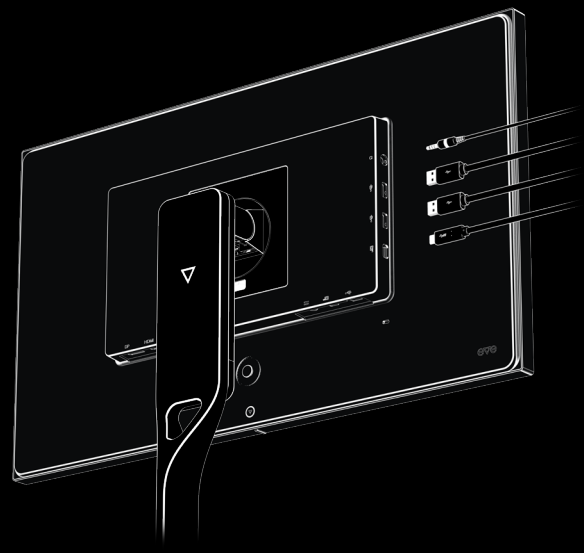
Connect an HDMI or DisplayPort cable to one of the ports on the rear of the monitor, and the other end to the source device. Then connect a USB cable to the USB Type-B upstream port on the rear of the monitor, and the other end to the host device.



Or: Connect a USB Type-C cable to the bottom USB Type-C port on the rear of the monitor, and the other end to the source device. Your device must support DisplayPort Alt Mode for video output, and USB Power Delivery for charging.



Connect the power cord to the AC adapter and plug the other end into a grounded AC outlet. Then connect the AC adapter to the power connector on the rear of the monitor.



Spectrum has a built-in DAC for headphones or speakers, as well as a built-in USB hub that you can use to connect devices such as a mouse, keyboard, phone, external hard drive, and practically anything that connects by USB.

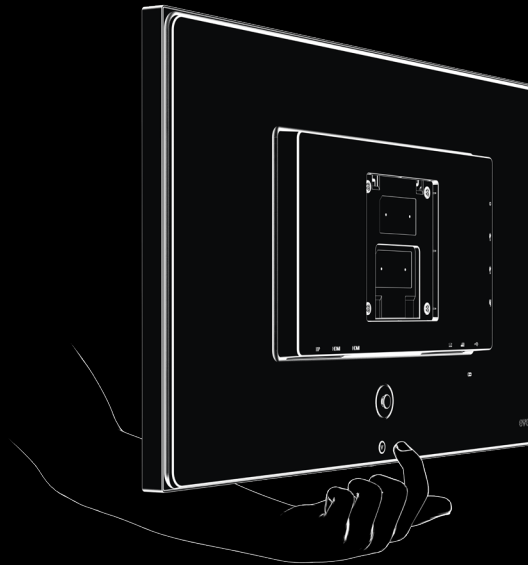
**Tip:** Before connecting the cables, take a moment to consider how to route the cables.

A bit of planning and cable management goes a long way toward keeping your desk looking tidy!

### 3. TURN ON YOUR NEW MONITOR

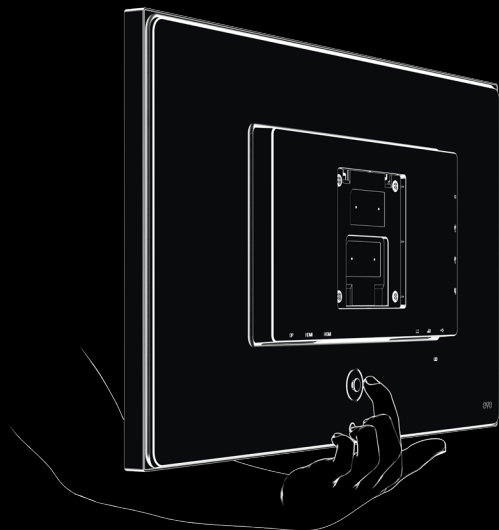


Press the power button on the rear of the monitor to turn it on. The indicator light at the bottom of the monitor will light up white when the monitor is active.



If there is no signal Spectrum will enter standby mode, and will resume operation once a video signal is available again. Press the power button on the rear of the monitor to turn the monitor off completely.

### 4. ENJOY SPECTRUM!



To change Spectrum's settings, depress the joystick to open the on-screen display (OSD).

- ↑↓ Pressing up or down will change the highlighted selection or adjust the current setting.
- Pressing right will go to the next submenu or store the current setting.
- ← Pressing left will return you to the previous menu.
- Depressing the joystick will return you to the main menu or close the OSD menu.



There is much more to Spectrum than we can fit in this quick start guide.

You can find product information, firmware updates, and more at <http://dough.tech>.



This product incorporates HDMI technology.