

IMAM
IMAL



Max Load
225lb (102kg)

I-Beam Mount

FOR DIGITAL SIGNAGE DISPLAYS

The Peerless-AV® I-Beam Mount is the perfect solution for securing displays to various sized I-beams, both indoors and outdoors. This product can be used in indoor manufacturing applications looking to create digital dashboards on the production floor to display KPI reporting, Six Sigma initiatives, or even branded content during customer visits. The mount's corrosion resistant design allows for outdoor use in stadiums, arenas, or parking garages with limited wall mounting space.

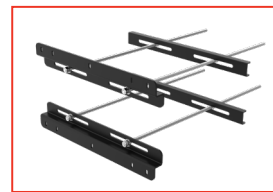
- IMAM designed for up to 12" wide beams
IMAL designed for 12" to 24.5" wide beams
- Corrosion resistant design
- Supports both landscape and portrait mounting solutions
- Includes adaptors, threaded rod and mounting hardware for the selected wall mount
- Compatible with the following Peerless-AV® Wall Mount Models:

Indoor:

SF630, SF632, SF640, SF650, SF660
ST630, ST632, ST640, ST650, ST660
SP730P, SP740P, SP746PU
SA730P, SA740P, SA746PU
PF630, PF632, PF640, PF650, PF660
PT630, PT632, PT640, PT650, PT660
PP730P, PP740P
PA730P, PA740P, PA746P

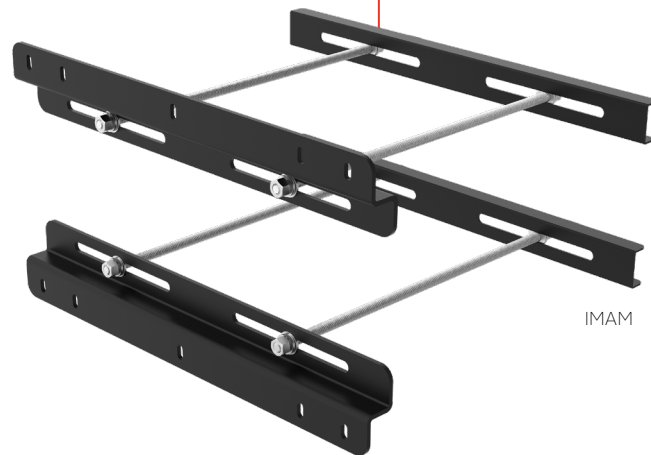
Outdoor:

EPT640, EPT650, EWMU,
ESF655P, ESF686, EST655P

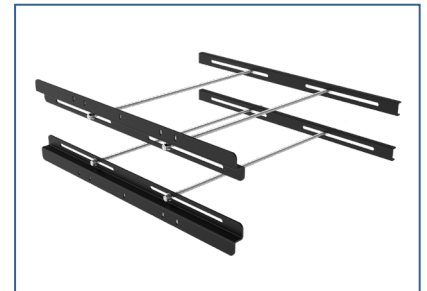


**CUT-TO-LENGTH
THREADED RODS**

Threaded rods (included) can be cut-to-length to accommodate a variety of I-beam depths



Shown with ST650



IMAL

RoHS
PROOF

Please visit peerless-av.com/en-us/patents for patent information.

✉ info@peerless-av.com

🌐 peerless-av.com

peerless-AV®
Driving Technology Through Innovation

| | |
|-------------|---|
| IMAM | I-Beam Mount for Digital Signage Displays (for up to 12" wide beams) |
| IMAL | I-Beam Mount for Digital Signage Displays (for 12" to 24.5" wide beams) |

Product Specifications

| | DIMENSIONS (W x H x D) | PRODUCT WEIGHT | LOAD CAPACITY | FINISH | AVAILABLE COLORS |
|-------------|---|----------------|---------------|-------------|------------------|
| IMAM | 18.00" x 9.15" x 3.00"-12.00" (457 x 232 x 76-305mm) | 12.2lb (5.5kg) | 225lb (102kg) | Powder Coat | Black |
| IMAL | 31.00" x 9.15" x 12.00"-24.50" (787 x 232 x 305-622mm) | 17.5lb (7.9kg) | | | |

Package Specifications

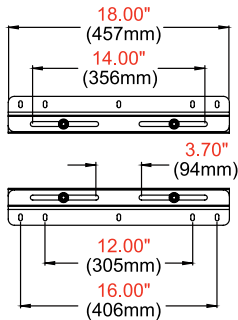
| | PACKAGE SIZE (W x H x D) | PACKAGE SHIP WEIGHT | PACKAGE UPC CODE | PACKAGE CONTENTS | UNITS IN PACKAGE |
|-------------|---|---------------------|------------------|--|------------------|
| IMAM | 28.00" x 3.50" x 3.50" (711 x 89 x 89mm) | 17.5lb (7.9kg) | 735029344162 | Corrosion Resistant Front Adaptor, Rear Adaptor, 3/8-16 Galvanized Threaded Rod, Galvanized Nuts and Washers, Wall Mount Mounting Hardware | 1 |
| IMAL | 39.25" x 3.50" x 3.50" (997 x 89 x 89mm) | 18.8lb (8.5kg) | 735029344179 | | |

Compatible with the following Peerless-AV® Wall Mount models:

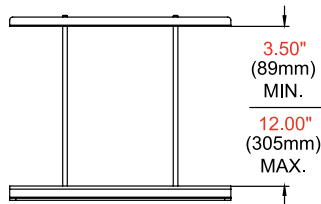
Indoor:
 SF630, SF632, SF640, SF650, SF660
 ST630, ST632, ST640, ST650, ST660
 SP730P, SP740P, SP746PU
 SA730P, SA740P, SA746PU
 PF630, PF632, PF640, PF650, PF660
 PT630, PT632, PT640, PT650, PT660
 PP730P, PP740P
 PA730P, PA740P, PA746P

Outdoor:
 EPT640, EPT650, EWMU,
 ESF655P, ESF686, EST655P

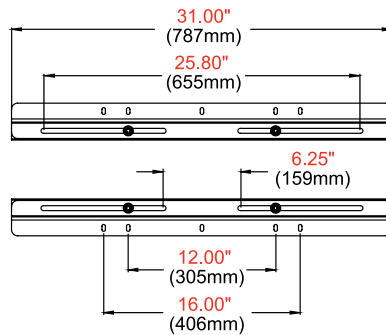
All dimensions = inch (mm)



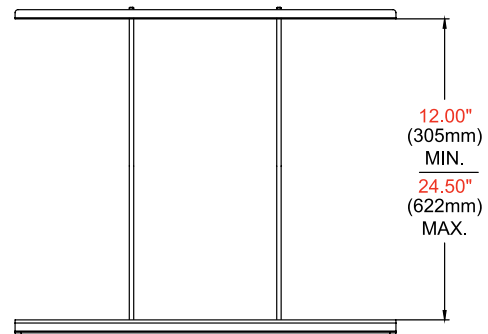
IMAM FRONT VIEW



IMAM TOP VIEW



IMAL FRONT VIEW



IMAL TOP VIEW

Architect Specifications

I-Beam Mount shall be a Peerless-AV® model IMAM/IMAL and shall be located where indicated on the plans. Assembly and installation shall be done according to instructions provided by the manufacturer.

Visit peerless-av.com to see the complete line of AV solutions from Peerless-AV, including outdoor displays, kiosks, display mounts, projector mounts, carts/stands, and a full assortment of accessories.

Peerless-AV
 2300 White Oak Circle
 Aurora, IL 60502
 USA
(800) 865-2112
(630) 375-5100

Peerless-AV EMEA
 Unit 2 Curo Park
 Frogmore, St. Albans
 Hertfordshire, AL2 2DD
 United Kingdom
+44 (0) 1923 200 100

Peerless-AV B.V.
 Papendorpseweg 75
 3528 BJ Utrecht
 The Netherlands
+31 (0) 70 770 8037

Peerless-AV Latin America
 Av. de las Industrias 413
 Parque Industrial Escobedo
 General Escobedo, N.L.,
 México, 66062
+52 (81) 8384-8300

