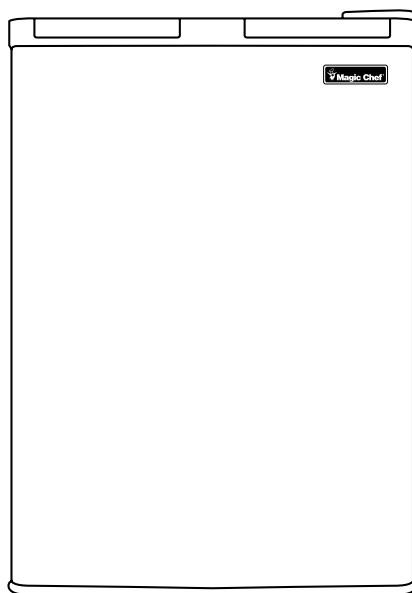




# 3.0 Cu. Ft. Upright Freezer

*User's Manual*



Model MCUF3WE / MCUF3BE / MCUF3STE

**PLEASE READ THIS MANUAL CAREFULLY BEFORE USING YOUR  
UPRIGHT FREEZER AND KEEP IT FOR FUTURE REFERENCE.**



## Product Registration

Thank you for purchasing a Magic Chef product. The first step to protect your new product is to complete the product registration on our website: [www.mcappliance.com/register](http://www.mcappliance.com/register). The benefits of registering your product include the following:

1. Registering your product will allow us to contact you regarding a safety notification or product update.
2. Registering your product will allow for more efficient warranty service processing when warranty service is required.
3. Registering your product could act as your proof of purchase in the event of insurance loss.

Once again, thank you for purchasing a Magic Chef product.

# IMPORTANT SAFETY INSTRUCTIONS



## WARNING

To reduce the risk of fire, electrical shock, or injury follow these basic precautions when using your freezer.

---

- 1) WARNING----Keep ventilation openings, in the appliance enclosure or in the built-in structure, clear of obstruction.
- 2) WARNING----Do not use mechanical devices or other means to accelerate the defrosting process, other than those recommended by the manufacturer.
- 3) WARNING----Do not damage the refrigerant tubing to increase the risk of a leak when handle, move and use of refrigerator.
- 4) WARNING----Do not use electrical appliances inside the food storage compartments of the appliances, unless they are of the type recommended by the manufacturer.
- 5) WARNING----DANGER: Never allow children to play with, operate, or crawl inside the refrigerator. Risk of child entrapment. Before you throw away your old refrigerator or freezer:
  - Take off the doors
  - Leave the shelves in place so that children may not easily climb inside.
- 6) The appliance has to be unplugged before carrying out user maintenance on the appliance.
- 7) This appliance can be used by children age 8 years and above and persons with reduced physical sensory or mental capabilities or lack of experience and knowledge if they have been given supervision or instruction concerning use of the appliance in a safe way and understand the hazards involved. Children should not play with the appliance. Cleaning and maintenance should not be made by children without supervision.
- 8) If the component part is damaged, it must be replaced by the manufacturer, its service agent or similar qualified persons in order to avoid a hazard.
- 9) Please abandon the refrigerator according to local regulations as the unit contains flammable blowing gas and refrigerant.
- 10) Follow local regulations regarding disposal of the appliance due to flammable refrigerant and blowing gas. All refrigeration products contain refrigerants, which under the guidelines of federal law must be removed before disposal. It is the consumer's responsibility to comply with federal and local regulations when disposing of this product.
- 11) This appliance is intended to be used in household and similar environments; such as:
  - staff kitchen areas in shops, offices and other working environments;
  - farm houses and by clients in hotels, motels and other residential type environments;
  - bed and breakfast type environments;
  - catering and similar non-retail applications.
- 12) Do not store or use gasoline or any inflammable liquors and liquids inside or in the vicinity of refrigerator.
- 13) Do not use an extension cord with this appliance. If the power cord is too short, have a qualified electrician install an outlet near the appliance. Use of an extension can negatively affect the unit's performance.



Caution: risk of fire



IT IS HAZARDOUS FOR ANYONE OTHER THAN AUTHORIZED SERVICE PERSONNEL TO CARRY OUT SERVICES OR REPAIRS INVOLVING THE REMOVAL OF COVERS.



TO AVOID THE RISK OF AN ELECTRICAL SHOCK DO NOT ATTEMPT REPAIRS YOURSELF.

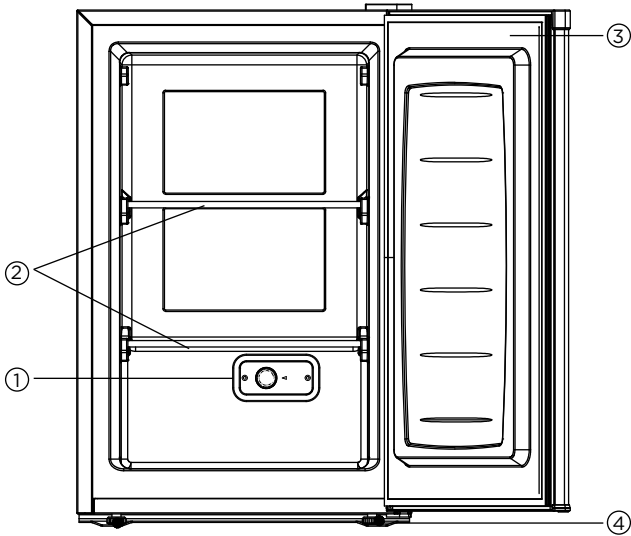
# TABLE OF CONTENTS

---

<b>NAMES OF THE PARTS</b> .....	2
<b>IMPORTANT SAFETY INSTRUCTIONS</b> .....	3
<b>INSTALLATION INSTRUCTIONS</b>	
BEFORE USING YOUR FREEZER.....	3
INSTALLING YOUR FREEZER .....	3-4
ELECTRICAL CONNECTION.....	4
<b>OPERATING YOUR FREEZER</b>	
GENERAL FEATURES.....	5
DEFROSTING YOUR FREEZER.....	5-6
<b>CHANGING THE DOOR REVERSIBLE DOOR</b> .....	7
<b>CARE AND MAINTENANCE</b>	
CLEANING YOUR FREEZER.....	8
VACATION TIME.....	8
MOVING YOUR FREEZER.....	8
ENERGY SAVING TIPS.....	8
<b>TROUBLESHOOTING GUIDE</b> .....	9-10
<b>LIMITED WARRANTY</b> .....	11

# NAMES OF THE PARTS

---



1. Adjustable Temperature Control
2. Removable shelves
3. Door
4. Leveling Legs

**⚡ WARNING ⚡** : Never touch the interior of the Freezer Chamber or frozen foods in the compartment with wet hands as this could result in frost bite.

# IMPORTANT SAFETY INSTRUCTIONS

---



To reduce the risk of fire, electrical shock, or injury when using your freezer, follow these basic precautions:

- Read all instructions before using the freezer.
- **DANGER or WARNING:** Risk of child entrapment.  
To avoid the possibility of child entrapment, please take the following precautions:  
Remove the freezer top and DO NOT remove the internal basket.
- **Before you throw away your old freezer:** Take off the top. Leave the basket in place so that children may not easily climb inside.
- Never allow children to operate, play with, or crawl inside the freezer.
- **Refrigerants:** All refrigeration products contain refrigerants, which under the guidelines of federal law must be removed before disposal of product. It is the consumer's responsibility to comply with federal and local regulations when disposing of this product.
- Never clean freezer parts with flammable fluids. The fumes can create a fire hazard or explosion.
- Do not store or use gasoline or any other flammable vapors and liquids in the vicinity of this or any other freezer. The fumes can create a fire hazard or an explosion.

-Save these instructions-

## INSTALLATION INSTRUCTIONS

---

### Before Using Your Freezer

- Remove the exterior and interior packing.
- Check to be sure you have all of the following parts:
  - 1 Instruction Manual
- Before connecting the freezer to the power source, let it stand upright for approximately 4 hours. This will reduce the possibility of a malfunction in the cooling system from improper handling during transportation.
- Clean the interior surface with lukewarm water using a soft cloth. (Cleaning instruction on page 7)

### Installing Your Freezer

- This appliance is designed to be free standing only and should not be recessed or built-in.
- Place your freezer on a floor that is strong enough to support the freezer when it is fully loaded.
- Allow 5 inches of space between the back and sides of the freezer, which allows the proper air ventilation. Adjust the feet to keep the freezer level.
- Your freezer should be conveniently located in a dry, well ventilated room away from direct sunlight and sources of heat (stove, heater, radiator etc.) Direct sunlight may affect acrylic coating and heat sources may increase electrical consumption. Do not install the freezer where the temperature will go below 32 degree F or above 100 degree F. Temperatures outside of this range may affect the performance and longevity of the unit.
- Avoid locating the freezer in moist areas.

- Plug the freezer into dedicated, properly installed-grounded wall outlet. Do not, under any circumstances, cut or remove the third (ground) prong from the power cord. Any questions concerning power and/or grounding should be directed toward a certified electrician or an authorized service center. **This unit is not designed to be installed in an RV or used with an inverter.**
- After plugging the appliance into a wall outlet, turn the unit on and allow the unit to cool for 2~3 hours before placing food in the freezer compartment.

### **Electrical Connection**

#### **⚡ WARNING ⚡**

Improper use of the grounded plug can result in the risk of electrical shock. If the power cord is damaged, have it replaced by an authorized service center.

This freezer should be properly grounded for your safety. The power cord for this freezer is equipped with a three-prong plug which mates with standard three prong wall outlets to minimize the possibility of electrical shock.

Do not, under any circumstances, cut or remove the third ground prong from the power cord supplied.

This freezer requires a standard 115/120 Volt A.C. ~/60Hz electrical outlet with three-prong ground.

This freezer is not designed to be used with an inverter.

The cord should be secured behind the freezer and not left exposed or dangling to prevent accidental injury.

Never unplug the freezer by pulling the power cord. Always grip the plug firmly and pull straight out from the receptacle.

Do not use an extension cord with this appliance. If the power cord is too short, have a qualified electrician or service technician install an outlet near the appliance. Use of an extension cord can negatively affect the performance of the unit.

If any problems with the appliance persist, please contact our Customer Service Dept. to consult with a representative at 888-775-0202 or visit our website to request warranty service at [www.mcappliance.com](http://www.mcappliance.com)

Do not attempt to repair or replace any part of your refrigerator unless it specifically recommended in this manual. All other servicing should be referred to a qualified technician, so as to minimize the risk of possible ignition due to incorrect parts or improper service.



**DANGER** – Risk Of Fire Or Explosion. Flammable Refrigerant Used. To Be Repaired Only By Trained Service Personnel. Do Not Puncture Refrigerant Tubing

**CAUTION** – Risk Of Fire Or Explosion. Flammable Refrigerant Used. Consult Repair Manual/Owner's Guide Before Attempting To Service This Product. All Safety Precautions Must be Followed

**CAUTION** – Risk Of Fire Or Explosion. Dispose Of Property In Accordance With Federal Or Local Regulations. Flammable Refrigerant Used

**CAUTION** – Risk Of Fire Or Explosion Due To Puncture Of Refrigerant Tubing; Follow Handling Instructions Carefully. Flammable Refrigerant Used

# OPERATING YOUR FREEZER

---

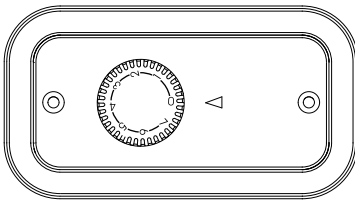
- Once the freezer is in its proper place, plug it in an electrical outlet having 115 volts and 15 amps.
- Set the temperature, on the temperature control knob. "1" being the warmest and "7" being the coldest. Initially set the temperature on "4". Place food inside the freezer. After using the freezer for 24 hours set the freezer to your desired setting.
- In case you unplug your freezer or experience an electrical outage, allow 5 minutes before plugging it back in.

## General Features

Adjustable temperature dial:

Your freezer will automatically maintain the temperature level you select. The temperature control dial has 7 settings plus OFF. "1" is the warmest, "7" is the coldest. Turning the dial to OFF stops cooling the freezer. Set the dial to "4" and allow 24 hours to pass before adjusting the temperature to your needs.

NOTE: If the freezer has been placed in a horizontal or tilted position for any period of time wait 24 hours before plugging the unit in.



Control Panel  
Varies by Model

## Defrosting

- When? For the most efficient operation and minimum energy consumption, defrost the freezer when the frost is excessive or  $\frac{1}{4}$  to  $\frac{1}{2}$  inch thick.
- Choose a time when the stock of frozen food is low.
- Turn the temperature control knob to the "0" .
- Remove the frozen food from the freezer and place it in a cooler to protect the food.
- Unplug the freezer.
- Open the freezer door.
- Place a suitable container to collect the defrost water.
- After defrosting, clean and dry the interior.
- Plug in and adjust the temperature control knob as needed.
- Allow the cabinet to cool for 4 hour before returning food to the freezer.

### **⚡ WARNING ⚡**

**Scraping ice from the freezer compartment can damage the unit.**

### **CAUTION:**

**Do not use boiling water because it may damage the plastic parts. In addition, never use a sharp or metallic instrument to remove frost as it may damage the cooling coils and will void the warranty.**

### **HELPFUL HINT:**

Defrosting usually takes a few hours. Leaving the door open will help speed the process. Also, pouring warm water (not boiling) on the ice/frost will help speed melting.



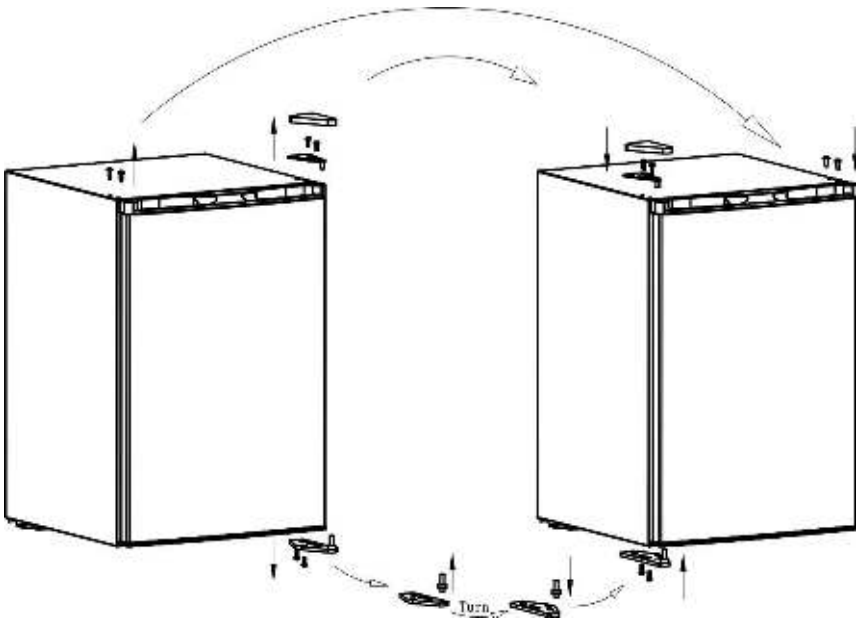
### **Storage of Frozen Foods**

- This freezer is designed for the long-term storage of frozen food. Storage time period is up to three months.
- The storage life of frozen foods varies and the recommended storage time should not be exceeded. The instructions regarding the care of frozen foods should be followed when defrosting the freezer.
- Pre-packed commercially frozen food should be stored in accordance with the frozen foods manufacturers' instructions.
- Place frozen food into the freezer as quickly as possible after purchase. If there are instructions on the packet, carefully follow these instructions regarding storage times.
- The freezer door is susceptible to breaking due to excessive ice build up. Be sure to defrost when the ice reaches  $\frac{1}{4}$  to  $\frac{1}{2}$  inch thick.

# CHANGING THE DOOR REVERSIBLE DOOR

---

- Remove the top hinge cover.
- Using Phillips Head Screwdriver, loosen and remove the screws holding the top hinge in place.
- Remove top hinge and carefully lift off the door.
- Remove the screw hole plugs from the opposite side and insert the plugs in the screw hole openings of the just removed screws.
- Remove any loose items in the refrigerator and carefully turn refrigerator on its back and place in a secure area.
- Loosen the screws holding the lower hinge bracket to the refrigerator and remove screws and bracket.
- Remove (2) screws from the other side and insert in the previously removed screw holes.
- Remove door pin by turning counter clockwise and reinsert to the underside of the bracket and tighten.
- Align bracket and insert (2) remaining screws into the holes provided .
- Align hole in the door with the door pin and washer and gently push down until firm.
- Align upper hinge bracket with screw holes insert screws and partially secure, check that door and cabinet are properly aligned and then secure tightly.
- Replace hinge cap.



# CARE AND MAINTENANCE

---

## Cleaning Your Freezer

- Upon installation of your new appliance, it is recommended that it be cleaned thoroughly.
- Unplug the freezer; remove the food and storage basket.
- Wash the inside with a damp warm cloth soaked in lukewarm water and baking soda solution. The solution should be about 2 tablespoons of baking soda to a quart of water.
- Wash the storage basket with a mild detergent solution.
- Be sure to keep the door gasket (seal) clean to keep the unit running efficiently.
- The outside of the freezer should be cleaned with mild detergent and warm water.
- Dry the inner parts of the cabinet and exterior with a soft cloth.
- It is recommended that the unit be cleaned each time it is defrosted to help keep the unit odor free and running efficiently.

## Vacation Time

- **Short vacations:** Leave the freezer operating during vacations of less than three weeks.
- **Long vacations:** If the appliance will not be used for several months, remove all food and unplug the power cord. Clean and dry the interior thoroughly. To prevent odor and mold growth, leave the door open slightly; blocking it open if necessary or have the door removed.

## Moving Your Freezer

- Unplug the freezer.
- Remove all the food.
- Securely tape down all loose items inside your freezer.
- Tape the doors shut.
- Be sure the freezer stays in the upright position during transportation.

## Energy Saving Tips

- The freezer should be located in the coolest area of the room, away from heat producing appliances or heating ducts, and out of the direct sunlight.
- Let hot foods cool to room temperature before placing in the freezer. Overloading the freezer forces the compressor to run longer. Foods that freeze too slowly may lose quality, or spoil.
- Be sure to wrap foods properly, and wipe containers dry before placing them in the freezer. This cuts down on frost build-up inside the freezer.
- Freezer storage bin should not be lined with aluminum foil, wax paper, or paper toweling. Liners interfere with cold air circulation, making the freezer less efficient.
- Organize and label food to reduce door openings and extended searches. Remove as many items as needed at one time, and close the door as soon as possible.

# TROUBLESHOOTING GUIDE

You can solve many common freezer problems easily, saving you the cost of a possible service call. Try the suggestions below to see if you can solve the problem before calling for service.

PROBLEM	POSSIBLE CAUSE
Freezer does not operate.	Not plugged in. The circuit breaker tripped or a blown fuse.
Compressor turns on and off frequently.	The room temperature is hotter than normal. A large amount of food has been added to the freezer. The door is opened too often. The door is not closed completely. The temperature control is not set correctly. The door gasket does not seal properly. The freezer does not have the correct clearances. The freezer has recently been disconnected for a period of time. 4 hours are required for the freezer to cool down completely.
Temperature inside the freezer is too warm.	Temperature control is set too warm. Turn the control to a cooler setting and allow several hours for the temperature to stabilize. Door is kept open too long or is opened too frequently. Warm air enters the freezer every time the door is opened. Open the door less often. The door is not closed completely. The door gasket does not seal properly. A large amount of warm or hot food might have been stored recently. Wait until the freezer has had a chance to reach its selected temperature. The freezer has recently been disconnected for a period of time. 4 hours are required for the freezer to cool down completely.
Temperature inside the freezer is too cold.	Temperature control is set too cold. Turn the control to a warmer setting and allow several hours for the temperature to stabilize.
Temperature of external freezer surface is warm.	The exterior freezer walls can be as much as 30 F warmer than room temperature. This is normal while the compressor works to transfer heat from inside the freezer cabinet.
Popping or cracking sound when compressor comes on.	Metal parts undergo expansion and contraction, as in hot water pipes. This is normal. Sound will level off or disappear as freezer continues to run.
Bubbling or gurgling sound, like water boiling.	Refrigerant (used to cool freezer) is circulating throughout the system. This is normal.
Vibrations.	Check to assure that the freezer is on a level surface. Floor is uneven or weak. Freezer rocks on the floor when it is moved slightly. Be sure floor can adequately support freezer. Level the freezer by putting wood or metal shims under part of the freezer. The freezer is touching the wall. Re-level the freezer and move it from the wall.

	See "Installation Instructions".
Moisture forms on inside freezer walls.	Weather is hot and humid, which increases internal rate of frost build-up. This is normal. Door is slightly open. Door is kept open too long, or is opened too frequently. Open the door less often. The door is not sealed properly.
Moisture forms on outside of freezer.	Door is slightly open, causing cold air from inside the freezer to meet warm moist air from outside.
The door will not close properly.	The freezer is not on a level surface. The gasket is dirty. The storage basket is out of position.



## Limited Warranty

MC Appliance Corporation warrants each new Chest Freezer to be free from defects in material and workmanship, and agrees to remedy any such defect or to furnish a new part(s), at the company's option, for any part(s) of the unit that have failed during the warranty period. Parts and labor expenses are covered on this unit for a period of one year from the date of purchase. A copy of the dated sales receipt or invoice is required to receive warranty service by an authorized service agent.

In addition, MC Appliance Corporation warrants the compressor (parts only) to be free from defects in material and workmanship for a period of five years. The consumer is responsible for all labor and transportation expenses related to the diagnosis and replacement of the compressor after the initial one-year warranty has expired. In the event the unit requires replacement or refund under the terms of this warranty, the consumer is responsible for all transportation expenses to return the unit to our factory prior to receiving a replacement unit or refund. A copy of the dated sales receipt/invoice is required to receive warranty service.

This warranty covers appliances in use within the continental United States, Alaska, Hawaii, and Puerto Rico. This warranty does not cover the following:

- Damages due to shipping damage or improper installation.
- Damages due to misuse or abuse.
- Content losses due to failure of the unit.
- Inside components such as door panels, door shelves, racks, light bulbs, etc.
- Punctures to the evaporator system due to improper defrosting of the unit.
- Repairs performed by unauthorized service agents.
- Service calls that do not involve defects in material and workmanship such as instructions on proper use of the product and door reversal or improper installation.
- Replacement or resetting of house fuses or circuit breakers.
- Failure of this product if used for other purposes than its intended purpose.
- Disposal costs for failed unit not returned to our factory.
- Any delivery/installation costs incurred as the result of a unit that fails to perform as specified.
- Expenses for travel and transportation for product service if your appliance is located in a remote area where service by an authorized service technician is not available.
- The removal and reinstallation of your appliance if it is installed in an inaccessible location or is not installed in accordance with published installation instructions.
- Refunds for non repairable products are limited to the price paid for the unit per the sales receipt.

### Limitations of Remedies and Exclusions:

Product repair in accordance with the terms herein, is your sole and exclusive remedy under this limited warranty. Any and all implied warranties including merchantability and fitness for a particular purpose are hereby limited to one year or the shortest period allowed by law. MC Appliance Corporation is not liable for incidental or consequential damages and no representative or person is authorized to assume for us any other liability in connection with the sale of this product. Under no circumstances is the consumer permitted to return this unit to the factory without the prior written consent of MC Appliance Corporation.

Some states prohibit the exclusion or limitation of incidental or consequential damages, or limitations on implied warranties. This warranty gives you specific legal rights, and you may also have other rights which vary from state to state.

Model	Parts & Labor	Compressor (Parts Only)	Type of Service
MCUF3WE	One Year	Five Years	Carry In
MCUF3BE	One Year	Five Years	Carry In
MCUF3STE	One Year	Five Years	Carry In

For Service or Assistance please call 888-775-0202 or visit us on the web at [www.mcappliance.com](http://www.mcappliance.com) to request warranty service or order parts.



**CNA International, Inc. d/b/a MC Appliance Corporation. All rights reserved.  
Magic Chef® logo is a registered trademark of CNA International, Inc.**

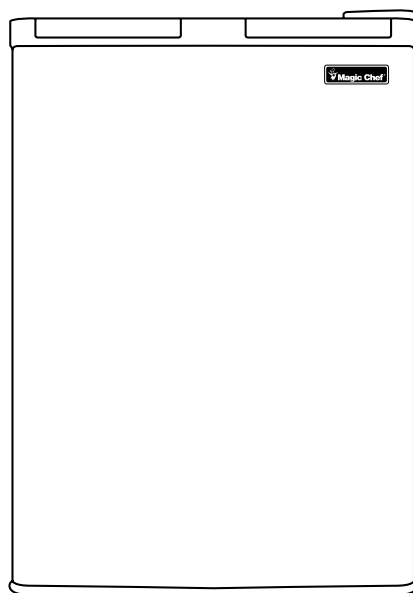
**[www.mcappliance.com](http://www.mcappliance.com)**

**Printed in China**



# Congelador Vertical de 3.0 pies cúbicos

*Manual del usuario*



Modelo MCUF3WE / MCUF3BE / MCUF3STE

LEA ESTE MANUAL ANTES DE UTILIZAR SU REFRIGERADOR Y GUÁRDELO  
PARA FUTURA REFERENCIA.





## Registración del producto

Gracias por comprar el producto Magic Chef. El primer paso para proteger su nuevo producto es completar la forma de registración en nuestra pagina web: [www.mcappliance/register](http://www.mcappliance/register). Los beneficios de registrar su producto incluyen lo siguiente:

1. Al registrar su producto nos permite contactarle para notificarle de un cambio de seguridad o actualización del producto.
2. Si llegara a necesitar servicio bajo garantía, registrando su producto nos permite ser más eficiente en procesar el servicio.
3. En el evento que usted tenga una pérdida que esta cubierto por un seguro, registrando su producto puede servir como prueba de su compra.

Una vez más gracias por comprar un producto marca Magic Chef.

# INSTRUCCIONES DE SEGURIDAD IMPORTANTES



Para reducir el riesgo de incendio, choque eléctrico o lesiones, siga estas precauciones básicas al usar su congelador vertical

- 1) ADVERTENCIA: mantenga las aberturas de ventilación, en el mismo aparato o en la estructura integrada, libres de obstrucciones.
- 2) ADVERTENCIA: no utilice dispositivos mecánicos u otros medios para acelerar la descongelación, más que los recomendados por el fabricante.
- 3) ADVERTENCIA: no dañe la tubería de refrigerante para aumentar el riesgo de una fuga al manejar, mover y usar el refrigerador.
- 4) ADVERTENCIA: no utilice aparatos eléctricos dentro de los compartimientos de almacenamiento de alimentos del aparato, a menos que sean del tipo recomendado por el fabricante.
- 5) ADVERTENCIA — PELIGRO: Nunca permita que los niños jueguen, hagan funcionar o se arrastren dentro del refrigerador. Existe el riesgo de que los niños queden atrapados. Antes de desechar su refrigerador o congelador viejo:
  - Quite las puertas
  - Deje los estantes en su lugar para que los niños no puedan entrar con facilidad.
- 6) El aparato debe desconectarse antes de realizar mantenimiento del usuario en el dispositivo.
- 7) Este aparato puede ser utilizado por niños de al menos 8 años y por personas con discapacidades físicas, sensoriales o mentales, o con falta de experiencia y conocimientos, bajo supervisión o si han recibido instrucciones sobre cómo usar el dispositivo de manera segura y si comprenden los peligros implicados. Los niños no deben jugar con el aparato. Los niños no deben realizar la limpieza o el mantenimiento sin supervisión.
- 8) Si el componente está dañado, debe ser reemplazado por el fabricante, su agente de servicio técnico o persona similar calificada para evitar cualquier peligro.
- 9) Deseche el refrigerador de acuerdo con las normas locales ya que la unidad contiene refrigerante y gas inflamable.
- 10) Siga las normas locales con respecto a la eliminación del aparato debido al refrigerante inflamable y el gas. Todos los aparatos de refrigeración contienen refrigerantes que, bajo los lineamientos de la ley federal, deben ser eliminados antes de desecharlos. Es responsabilidad del consumidor cumplir con los reglamentos federales y locales al desechar este producto.
- 11) Este aparato está destinado al uso doméstico y en aplicaciones similares como:
  - áreas de cocina en tiendas, oficinas y otros entornos laborales;
  - casas rurales y para clientes en hoteles, moteles y otros entornos de tipo residencial;
  - entornos de tipo hospedaje;
  - servicios de comidas y otras aplicaciones no comerciales similares.
- 12) No almacene ni use gasolina o cualquier licor y líquidos inflamables dentro o en las proximidades del refrigerador.
- 13) No utilice alargadores con este aparato. Si el cable de alimentación es demasiado corto, haga que un electricista calificado instale un tomacorriente cerca del aparato. El uso de una extensión puede afectar negativamente el rendimiento de la unidad.



Atención: peligro de incendio



ES PELIGROSO PARA CUALQUIER PERSONA QUE NO SEA PERSONAL DE SERVICIO AUTORIZADO LLEVAR A CABO LOS SERVICIOS O LAS REPARACIONES QUE IMPLIQUEN LA EXTRACCIÓN DE LAS CUBIERTAS.



PARA EVITAR EL RIESGO DE UN CHOQUE ELÉCTRICO, NO INTENTE REPARARLO USTED MISMO.

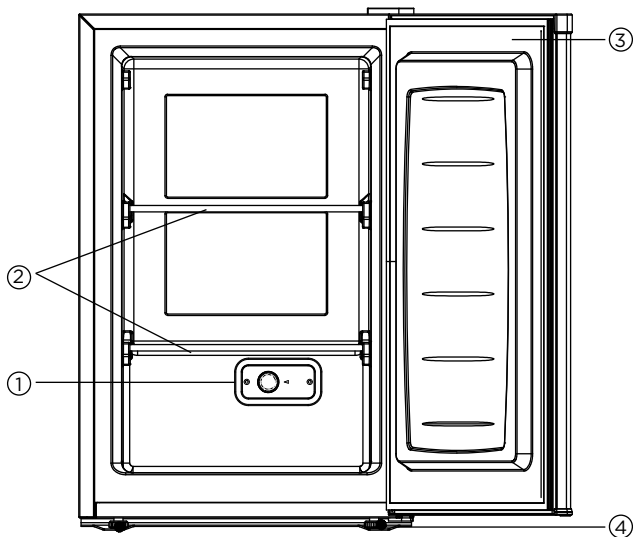
# INDICE DE MATERIAS

---

<b>LOS NOMBRES DE LAS PARTES</b> .....	2
<b>LAS INSTRUCCIONES IMPORTANTES DE SEGURIDAD</b> .....	3
<b>INSTRUCCIONES DE INSTALACIÓN</b>	
ANTES DE UTILIZAR SU CONGELADOR.....	3
INSTALACIÓN DE SU CONGELADOR .....	3-4
CONEXIÓN ELÉCTRICA.....	4
<b>OPERAR SU CONGELADOR</b>	
CARACTERÍSTICAS GENERALES .....	5
PARA DESCONGELAR SU CONGELADOR .....	5-6
<b>INSTRUCCIONES PARA REVERTIR LA PUERTA</b> .....	7
<b>CUIDE Y LA CONSERVACION</b>	
PARA LIMPIAR SU CONGELADOR.....	8
EN LAS VACACIONES .....	8
PARA CAMBIAR DE LUGAR SU CONGELADOR.....	8
RECOMENDACIONES PARA AHORRAR ENERGÍA.....	8
<b>GUÍA DE RESOLUCIÓN DE PROBLEMAS</b> .....	9-10
<b>GARANTIA DE CONGELADOR DE PECHO</b> .....	11

## LOS NOMBRES DE LAS PARTES


---



1. Control de temperatura ajustable
2. Estantes extraíbles
3. Puerta
4. Patas niveladoras

**⚡ ADVERTENCIA ⚡**: Nunca toque el interior de la Cámara del Congelador ni alimentos congelados en el compartimiento con manos mojadas como esto podría tener como resultado cubre de escarcha la mordedura.

# LAS INSTRUCCIONES IMPORTANTES DE LA SEGURIDAD

 <b>ADVERTENCIA</b>	Para reducir el riesgo de incendios, golpes de corriente o lesiones cuando utilice su Congelador, sírvase tener en cuenta las siguientes recomendaciones básicas:
<ul style="list-style-type: none"><li>• Lea atentamente todas las instrucciones antes de usar el Congelador.</li><li>• <b>El PELIGRO o ADVIRTIENDO:</b> Riesgo de que los niños queden atrapados.</li><li>• Para evitar este riesgo, sírvase observar las siguientes recomendaciones: Retire la tapa del Congelador y NO retire los cestas internos.</li><li>• <b>Antes de deshacerse de su viejo Congelador:</b> retire la tapa y deje los cestas en su lugar para que los niños no puedan introducirse en el interior.</li><li>• No deje que los niños usen el Congelador, jueguen con él o se introduzcan en el interior.</li><li>• <b>Refrigerantes:</b> Todos los productos de la refrigeración contienen los refrigerantes, que debajo de las pautas de la ley federal se deben quitar antes de la disposición del producto. Es la responsabilidad del consumidor conformarse con regulaciones federales y locales al disponer de este producto.</li><li>• No limpie las partes del Congelador con productos inflamables. Los vapores pueden originar un incendio o explosión.</li><li>• No almacene ni use gasolina ni ningún otro gas o líquido inflamable cuando se encuentre cerca de este Congelador u otro. Los vapores pueden originar un incendio o explosión.</li></ul>	

## INSTRUCCIONES DE INSTALACIÓN

### ANTES DE UTILIZAR SU CONGELADOR

- Retire el material de embalaje del exterior e interior.
- Verifique que estén los siguientes elementos:
  - 1 manual de instrucciones
- Antes de conectar el Congelador a la fuente de alimentación, déjelo en posición vertical durante 4 horas aproximadamente. De esta forma, se reducirá la posibilidad de mal funcionamiento del sistema de refrigeración debido a manipulación incorrecta durante el traslado.
- Limpie la superficie interior con agua tibia y paño suave. (Limpiando la instrucción en la página 7)

### INSTALACIÓN DE SU CONGELADOR

- Este electrodoméstico está diseñado para funcionar apoyado sobre el piso y no debe empotrarse ni embutirse en la pared.
- Coloque el Refrigerador sobre un piso que sea lo suficientemente resistente como para sostener el peso del electrodoméstico cuando esté cargado.
- Deje el Refrigerador separado 5 pulgadas de las paredes atrás y de los costados para que haya buena circulación de aire. Ajuste los pies para mantener el refrigerador llano.
- Su congelador debe ser convenientemente localizado en un lugar seco, bien ventilado, lejos de la luz solar directa y de fuentes de calor ( estufa, calentador, radiador, etc. ) La luz solar directa puede afectar recubrimiento acrílico y fuentes de calor pueden aumentar el consumo eléctrico. No instale el congelador donde la temperatura esté por debajo de 32 grados F o por encima de 100 grados F. Las temperaturas fuera de este rango puede afectar el rendimiento y la longevidad de la unidad.

- No coloque el Refrigerador en ambientes húmedos.
- Enchufe el Refrigerador en un toma corriente con la debida descarga a tierra utilizado exclusivamente para este aparato. No corte ni retire la tercera pata (descarga a tierra) del enchufe bajo ninguna circunstancia. Cualquier duda relacionada con la red de electricidad y/o la descarga a tierra debe resolverse con un electricista certificado o un centro de servicios autorizado. Esta unidad no se diseña para ser instalada en un RV o para ser utilizada con un inversor.
- Después de enchufar en el tomacorriente de pared, prende la unidad y permite la unidad enfríe durante 2 ó 3 horas antes de colocar alimentos en el interior.

## **CONEXIÓN ELÉCTRICA**

### **⚡ ADVERTENCIA ⚡**

El uso indebido de la descarga a tierra puede causar golpes de corriente. Si el cable de alimentación está dañado, hágalo reemplazar con un service autorizado.

El aparato debe estar adecuadamente conectado a tierra para su seguridad. El cable de electricidad de este electrodoméstico cuenta con un enchufe de tres patas apto para los tomacorrientes de pared con tres patas para minimizar las posibilidades de golpes de corriente.

No corte ni retire la tercera pata de descarga a tierra del enchufe bajo ninguna circunstancia.

Este equipo debe conectarse a un toma corriente de tres patas con descarga a tierra instalado en una red estándar de electricidad con corriente 115 Volt A.C. ~/60Hz.

Este aparato no se diseña para ser utilizado con un inversor.

El cable debe mantenerse recogido detrás del Aparato; no debe dejarse a la vista ni colgando para prevenir accidentes.

No desenchufar tirando del cable. Tome el enchufe con firmeza y tire en dirección opuesta al receptáculo.

No utilice prolongaciones para conectar este aparato. Si el cable es muy corto, llame a un electricista o técnico calificado para que instale un toma corriente cerca del equipo. El uso de cables de prolongación puede perjudicar el funcionamiento de la unidad.



**PELIGRO** – Riesgo de incendios o explosiones. Se utiliza un refrigerante inflamable. Las reparaciones debe efectuarla solamente personal de servicio capacitado. No perforo las tuberías del refrigerante.

**PRECAUCIÓN** – Riesgo de incendios o explosiones. Se utiliza un refrigerante inflamable. Consulte el manual de reparaciones o la guía del propietario antes de intentar darle servicio a este producto. Deben seguirse todas las precauciones de seguridad.

**PRECAUCIÓN**– Riesgo de incendios o explosiones. Deshágase del producto adecuadamente, de acuerdo con las regulaciones federales o locales. Se utiliza un refrigerante inflamable.

**PRECAUCIÓN** – Riesgo de incendios o explosiones. Para evitar la perforación de las tuberías del refrigerante, siga cuidadosamente las instrucciones de manipulación. Se utiliza un refrigerante inflamable.

# OPERACIÓN DE SU CONGELADOR

---

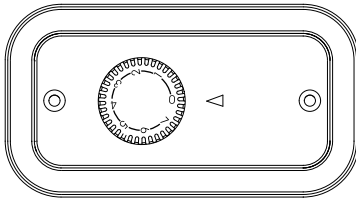
- Una vez que el congelador esté en su lugar adecuado, conéctelo a un tomacorriente de 115 voltios y 15 amperios.
- Ajuste la temperatura, en la perilla de control de temperatura. "1" siendo el más cálido y "7" siendo el más frío. Configure inicialmente la temperatura en "4". Coloque los alimentos dentro del congelador. Después de usar el congelador durante 24 horas configure el congelador en la configuración deseada.
- En caso de que desconecte su congelador o experimente un apagón, espere 5 minutos antes enchufarlo de nuevo.

## **CARACTERÍSTICAS GENERALES**

Dial de temperatura ajustable:

Su congelador mantendrá automáticamente el nivel de temperatura que seleccione. La temperatura El dial de control tiene 7 configuraciones más APAGADO. "1" es el más cálido, "7" es el más frío. Girando el dial a OFF deja de enfriar el congelador. Fije el dial en "4" y deje pasar 24 horas antes de ajustar la temperatura a tu medida.

NOTA: Si el congelador se ha colocado en una posición horizontal o inclinada durante un período de tiempo espere 24 horas antes de enchufar la unidad.



Panel de control  
Varía según el modelo

## **PARA DESCONGELAR LA UNIDAD**

- Cuándo? Para un funcionamiento más eficiente y un consumo mínimo de energía, descongele el freezer cuando la acumulación de hielo sea excesiva o tenga de  $\frac{1}{4}$  a  $\frac{1}{2}$  pulgada de espesor.
- Elija un momento en que no haya gran cantidad de alimentos congelados.
- Gire la perilla de control de la temperatura a la posición "0".
- Retire los alimentos congelados del freezer y colóquelos en un refrigerador para conservarlos.
- Desenchufe el freezer.
- Abra la puerta del freezer.
- Coloque un recipiente adecuado para recoger el agua descongelada.
- Después de descongelar, limpie y seque el interior.
- Conecte y ajuste la perilla de control de la temperatura según sea necesario.
- Deje enfriar la unidad durante 4 hora antes de volver a colocar los alimentos en el interior del freezer.

## **⚡ ADVERTENCIA ⚡**

**Despegar el hielo adherido raspando el compartimiento del Congelador puede dañar la unidad.**

### **Precaución:**

**No utilice agua hirviendo porque puede dañar las partes de plástico. Además, no utilice elementos filosos ni metálicos para retirar el hielo ya que pueden dañar las bobinas de refrigeración y anular la validez de la garantía.**

## **INSINUACIÓN ÚTIL**

El proceso de descongelado en general demora algunas horas. Dejar la puerta abierta ayuda a acelerar el proceso. Además, verter agua caliente (no hirviendo) sobre el hielo acelera el proceso de fusión.

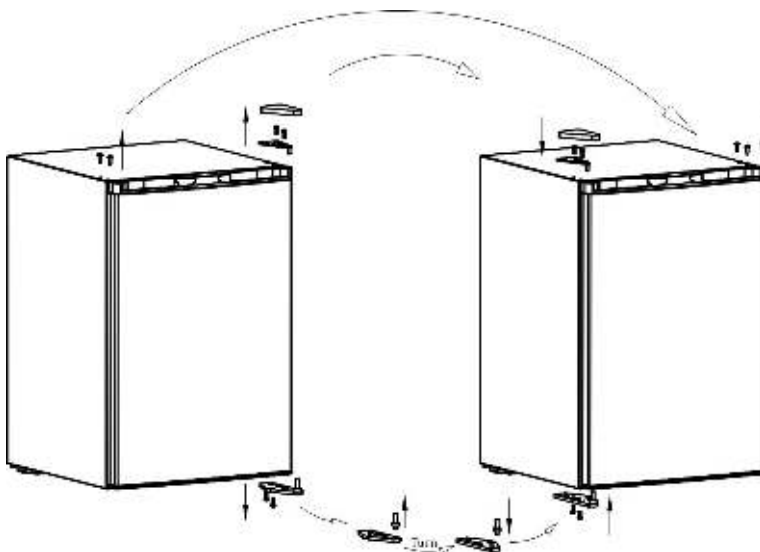
## **EL ALMACENAMIENTO DE ALIMENTOS CONGELADOS**

- Este congelador está diseñada para el almacenamiento a largo plazo de alimentos congelados. Período de tiempo de almacenamiento es de hasta tres meses.
- La vida de almacenamiento de alimentos congelados y varía el tiempo de almacenamiento recomendada no debe superarse. Las instrucciones relativas a la atención de los alimentos congelados deben seguirse cuando la descongelación el congelador.
- Pre-envasados comercialmente alimentos congelados deben almacenarse de acuerdo con los alimentos congelados las instrucciones.
- Coloque los alimentos congelados en el congelador tan pronto como sea posible después de la compra. Si hay instrucciones en el paquete, siga estas instrucciones cuidadosamente respecto de los tiempos.
- La puerta de congelador es susceptible a la rotura debido a la excesiva acumulación de hielo. Asegúrese de descongelar el hielo cuando se llega a ¼ a ½ pulgada de grosor.



## INSTRUCCIONES PARA REVERTIR LA PUERTA

- Quite la cubierta de la bisagra superior.
- Utilizando un destornillador Phillips, afloje y quite los tornillos que sujetan la bisagra superior en su lugar.
- Retire la bisagra superior y levante con cuidado la puerta.
- Retire los tapones de los orificios de los tornillos del lado opuesto e inserte los tapones en los orificios de agujeros de los tornillos que acaba de sacar.
- Retire cualquier objeto suelto en el refrigerador, voltee cuidadosamente el refrigerador sobre su espalda y colóquelo en un área segura.
- Afloje los tornillos que sujetan el soporte de la bisagra inferior del refrigerador y quite los tornillos y el soporte.
- Retire los (2) tornillos del otro lado e insértelos en los orificios de los tornillos que quitó antes.
- Retire el pasador de la puerta, girando hacia la izquierda, y vuelva a insertarlo en la parte inferior del soporte y apriételo.
- Alinee el soporte e inserte los (2) tornillos restantes en los orificios provistos.
- Alinee el agujero en la puerta con el pasador y la arandela de la puerta y empuje suavemente hacia abajo hasta que quede firme.
- Alinee el soporte de la bisagra superior con los orificios de los tornillos, inserte los tornillos y apriételos parcialmente, verifique que la puerta y el gabinete estén correctamente alineados y luego apriete bien los tornillos.
- Reemplace la tapa de la bisagra.



## **CUIDE Y LA CONSERVACION**

### **PARA LIMPIAR SU CONGELADOR**

- Una vez finalizada la instalación, se recomienda una limpieza completa de la unidad.
- Desenchufe la unidad y retire los alimentos y el canasto de almacenamiento.
- Limpie el interior con un paño humedecido en una solución de agua tibia y bicarbonato de soda. La solución se prepara con aproximadamente 2 cucharadas de bicarbonato de soda y un cuarto de agua.
- Lave el canasto de almacenamiento con una solución preparada con detergente suave.
- Recuerde mantener limpia la junta de la puerta (burlete) para que la unidad funcione correctamente.
- La parte exterior del Congelador se debe limpiar con una solución de agua tibia y detergente suave.
- Seque el interior y exterior con paño suave.
- Se recomienda limpiar la unidad cada vez que se descongela para mantenerla libre de olores y en perfecto funcionamiento.

### **EN LAS VACACIONES**

- **Vacaciones cortas:** Deje el Congelador en funcionamiento durante los períodos de vacaciones que no superen las tres semanas.
- **Vacaciones largas:** Si el electrodoméstico no se usa durante varios meses, retire todos los alimentos y desconecte de la red de electricidad. Limpie y seque cuidadosamente el interior. Para evitar la formación de olores y humedad, deje la puerta apenas abierta: si es necesario, trábela para que se mantenga abierta o retire la puerta.

### **PARA CAMBIAR DE LUGAR SU CONGELADOR**

- Quite todo el alimento.
- Asegure con cinta adhesiva los elementos sueltos en el interior del Congelador.
- Retire los rodillos para evitar daños.
- Asegure la puerta con cinta adhesiva.
- Verifique que el Congelador se mantenga en posición vertical durante el traslado.

### **RECOMENDACIONES PARA AHORRAR ENERGÍA**

- El Congelador se debe ubicar en el lugar más fresco de la habitación, alejado de las fuentes de calor y de caños de calefacción, y protegido de la luz del sol directa.
- Deje que los alimentos calientes se enfrien hasta llegar a la temperatura ambiente antes de colocarlos en el Congelador. Si se coloca una cantidad excesiva de alimentos en el Congelador, se fuerza el compresor a trabajar durante más tiempo. Los alimentos que tardan mucho en congelarse pueden perder calidad o echarse a perder.
- Asegúrese de envolver los alimentos adecuadamente y seque los envases antes de ubicarlos en el Congelador. Esto ayuda a reducir la formación de escarcha en el interior.
- La cavidad de almacenamiento del Congelador no debe recubrirse con papel de aluminio, ni con papel encerado o papel absorbente. Los recubrimientos interfieren con la circulación de aire frío perjudicando el funcionamiento del Congelador.
- Organice y etiquete los alimentos para reducir la cantidad de veces que abre la puerta y las demoras de la búsqueda. Retire todos los elementos que necesita de una sola vez y cierre la puerta lo antes posible.

## GUÍA DE RESOLUCIÓN DE PROBLEMAS

---

Usted puede resolver muchos de los inconvenientes comunes que se producen con el Congelador y ahorrarse el costo de llamar al servicio de mantenimiento. Intente las sugerencias a continuación para ver si puede resolver los problemas antes de llamar al service.

PROBLEMA	CAUSA POSIBLE
El Congelador no funciona.	No está enchufado. Se activó el corta corriente o se quemó un fusible.
El compresor se prende y se apaga con frecuencia.	La temperatura ambiente es más elevada que lo normal. Se ha colocado gran cantidad de alimentos en el Congelador. La puerta se abre con mucha frecuencia. La puerta no está completamente cerrada. La temperatura fijada en el control no es la correcta. La junta de la puerta no ajusta lo necesario. El Congelador no está lo suficientemente alejado de las paredes que lo rodean. El Congelador estuvo últimamente desconectado durante un período de tiempo. Se requieren cuatro horas para que el Congelador se enfríe completamente.
La temperatura del interior del Congelador es muy elevada.	El control de temperatura está fijado a una temperatura muy elevada. Fije el control a una temperatura más baja y deje que la temperatura se estabilice durante varias horas. La puerta estuvo mucho tiempo abierta o se abrió con mucha frecuencia. Cada vez que se abre el Congelador entra aire caliente. Abra la puerta con menos frecuencia. La puerta no está completamente cerrada. La junta de la puerta no ajusta lo suficiente. Es posible que recientemente se haya guardado una gran cantidad de alimentos tibios o calientes. Espere hasta que el Congelador haya tenido la oportunidad de alcanzar la temperatura fijada. El Congelador estuvo últimamente desconectado durante un período de tiempo. Se requieren cuatro horas para que el Congelador se enfríe completamente.
La temperatura del interior del Congelador es muy baja.	El control de temperatura está fijado a una temperatura muy baja. Fije el control a una temperatura más elevada y deje que la temperatura se estabilice durante varias horas.

	permanente y exceda la temperatura del control.
La temperatura del exterior del Congelador es elevada.	Las paredes externas pueden llegar a tener una temperatura 30° F por encima de la temperatura ambiente. Esta situación es normal mientras el compresor trabaja para sacar el calor del interior del gabinete.
Ruidos de explosiones o rajaduras cuando el compresor empieza a funcionar.	Las partes metálicas se expanden y contraen como ocurre en las cañerías de agua caliente. Es normal. Los ruidos se normalizarán o desaparecerán a medida que el Congelador siga funcionando.
Ruidos burbujeantes parecidos al del agua hirviendo.	El refrigerante (utilizado para enfriar el Congelador) está circulando por el sistema. Es normal.
Vibraciones.	Verifique que el Congelador esté sobre una superficie nivelada. El piso está despaseado o no es fuerte. El Congelador se balancea sobre el piso apenas se lo toca. Verifique que el piso soporta adecuadamente el Congelador. Nivele el electrodoméstico poniendo cuñas de metal o madera debajo del Congelador El Congelador está tocando la pared. Vuelva a nivelar y retirar de la pared. Lea las "Instrucciones de instalación".
Se forma humedad en las paredes interiores del Congelador	El tiempo está caluroso y húmedo, lo que ocasiona la mayor acumulación de escarcha en el interior. Es normal. La puerta está apenas abierta. La puerta está mucho tiempo abierta o se abre con mucha frecuencia. Abra la puerta con menos frecuencia. La junta de la puerta no ajusta lo necesario.
Se forma humedad en las paredes externas del Congelador	La puerta está apenas abierta y el aire frío del interior se combina con el aire tibio del exterior.
La puerta no cierra convenientemente.	El Congelador no está en una superficie nivelada. La junta está sucia. El canasto de almacenamiento está mal colocado.



## Garantía limitada

MC Appliance Corporation garantiza que todas las Congelador de pecho carecen de defectos en el material y la mano de obra y acuerda solucionar cualquiera de estos defectos o instalar la(s) parte(s) nueva(s) (a elección de la compañía) en caso de que la unidad haya fallado durante el periodo de garantía. Las partes y gastos de reparación están cubiertos en esta unidad por un periodo de un año a partir de la fecha de compra. Se requiere una copia de la factura o recibo de compra para recibir el servicio de garantía por parte de un agente de servicio autorizado.

Además MC Appliance Corp. autoriza el compresor (piezas solamente) para estar libre de defectos en material y la ejecución por un periodo de cinco años. El consumidor es responsable de todo el trabajo y los costos del transporte relacionados con la diagnosis y el reemplazo del compresor después de las uno garantías inicial del año han expirado. Si en el acontecimiento la unidad requiere el reemplazo o el reembolso bajo términos de esta garantía el consumidor es responsable de todos los costos del transporte volver la unidad a nuestra fábrica antes de recibir una unidad o un reembolso del reemplazo. Una copia de las ventas anticuadas pone el recibo/factura se requiere para recibir servicio de la garantía.

Esta garantía cubre los aparatos que se usen dentro de los Estados Unidos continentales, Alaska, Hawái y Puerto Rico. La garantía no cubre lo siguiente:

- Daños debido al daño del envío o a la instalación incorrecta.
- Daños debido al mal uso o abuso.
- Pérdidas de contenido debido a falla de la unidad.
- Componentes internos como paneles de puertas, estantes en la puerta, estantes, bombillas, etc.
- Punturas al sistema del evaporador debido a l descongelación incorrecta de la unidad.
- Las reparaciones se realizaron por los agentes desautorizados del servicio.
- Llamadas de servicio que no implican defectos en material y la ejecución tal como instrucción en el uso apropiado del producto o de la instalación incorrecta.
- Reemplazo o reajuste de los fusibles o de los interruptores de la casa.
- Falla de este producto si se usa con fines distintos a los que fue diseñado.
- Costes de la disposición de unidades falladas no vueltas a nuestra fábrica.
- Todos los gastos de entrega/instalación incurridos como resultado de una unidad que no cumple con lo especificado.
- Gastos de viajes y el transporte de los productos principales de servicio si su aparato está situado en una zona remota donde el servicio por un técnico de servicio no está disponible.
- La remoción y reinstalación de su gran aparato, si está instalado en un lugar inaccesible o no está instalado de conformidad con las instrucciones de instalación publicadas.
- Restituciones por productos no reparables se limita al precio pagado por la unidad por el recibo de compra.

### Limitaciones de remedios y exclusiones:

La reparación del producto de acuerdo con los términos de este documento, es el único y exclusivo remedio determinado en esta garantía limitada. Todas y cada una de las garantías implicadas, incluyendo la calidad de comerciable y capacidad para un propósito particular, se limitan mediante la presente a un año o el periodo más corto permitido por la ley. MC Appliance Corporation no es responsable por daños incidentales ni resultantes y ningún representante o persona alguna están autorizados para asumir de parte nuestra ninguna otra responsabilidad en relación con la venta de este producto. Bajo ninguna circunstancia se le permite al consumidor regresar esta unidad a la fábrica sin consentimiento previo por escrito de MC Appliance Corporation.

Algunos estados prohíben la exclusión o limitación por daños incidentales o resultantes, o limitaciones en las garantías implícitas. Esta garantía le otorga a usted derechos legales específicos, y usted puede también tener otros derechos que varían según la entidad federalva donde se encuentre.

Modelo	Piezas & Trabajo	Compresor (Parte solamente)	Tipo de servicio
MCUF3WE	Uno año	Cinco años	Lleve adentro
MCUF3BE	Uno año	Cinco años	Lleve adentro
MCUF3STE	Uno año	Cinco años	Lleve adentro

Para servicio o asistencia, llame por favor al **888-775-0202**. O visítenos en [www.mcappliance.com](http://www.mcappliance.com) para solicitar el servicio de garantía o repuestos.



**CNA International, Inc. realiza negocios bajo el nombre de MC Appliance Corporation.  
Derechos reservados.**

**El logotipo Magic Chef® es una marca registrada de CNA International, Inc.**

**[www.mcappliance.com](http://www.mcappliance.com)**

**Impreso en China**



