



2023-2024
PRODUCT GUIDE

WDX
AMPHIBIOUS TECH

A7

AMPLIFIERS



4 CHANNEL FEATURES:

- 2Ω Stereo Capability
- Continuously Variable Low level RCA Inputs
- DRIVESINK Heat Management System
- Independent 18dB per Octave High Pass and Low Pass X-Over Network
- Continuously Variable Bass Boost @ 45Hz
- Internal Multi-Link Module For Easy Multi-Linking of Two Like Amplifiers
- Unregulated DC-DC PWM Power Supply
- Speaker Short Circuit Protection
- RCA Pre-Amp Outputs for Easy Daisy Chaining of Multiple Amplifiers
- Large Gauge Power Input Terminals

MONO FEATURES:

- 1Ω Mono Capability
- Continuously Variable Low level RCA Inputs
- DRIVESINK Heat Management System
- Continuously Variable 24dB per Octave Low Pass X-Over
- Continuously Variable 24 dB Per Octave Subsonic Filter
- Variable Phase Shift Control (0-180)
- Continuously Variable Bass Boost @ 45Hz
- Internal Multi-Link Module For Easy Multi-Linking of Two Like Amplifiers
- Unregulated DC-DC PWM Power Supply
- Speaker Short Circuit Protection
- RCA Pre-Amp Outputs for Easy Daisy Chaining of Multiple Amplifiers
- Large Gauge Power Input Terminals
- Bass Remote Included



* Bass Remote Included
(All Mono Models)



A7

AMPLIFIERS



* Bass Remote Included

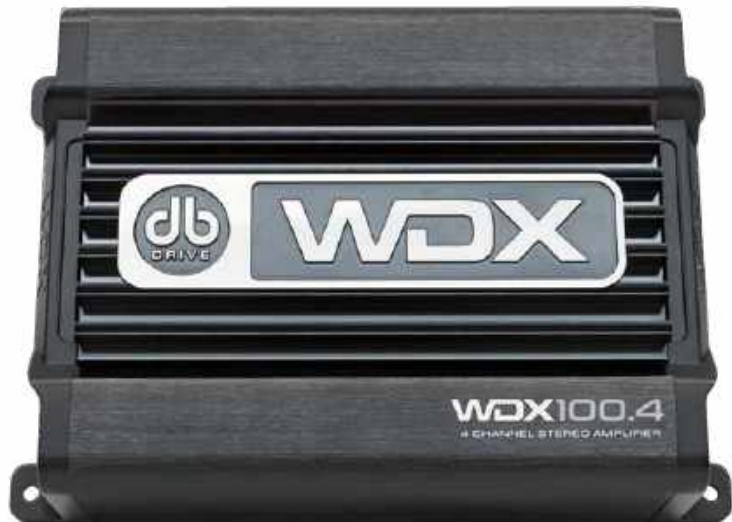
| | A7 125.4 | *A7 2500.1 | *A7 3500H.1 | *A7 5000H.1 |
|----------------------|-----------------------|--------------|--------------|--------------|
| ▪ Internal Circuitry | 4 Ch. Class AB | Class D Mono | Class D Mono | Class D Mono |
| ▪ 4Ω @ 14.4 Volts | 4 x 250 W / 2 x 350 W | 1 x 750W | 1 x 900W | 1 x 1250W |
| ▪ 2Ω @ 14.4 Volts | 4x125 Watts | 1 x 1250W | 1 x 1 800W | 1 x 2500W |
| ▪ 1Ω @ 14.4 Volts | - | 1 x 2500W | 1 x 3500W | 1 x 5000W |
| ▪ Subsonic Filter | - | 10Hz-50Hz | 10Hz-50Hz | 10Hz-50Hz |
| ▪ Capability | 2Ω Stereo | 1Ω Mono | 1Ω Mono | 1Ω Mono |
| ▪ Master Carton | 3 | 2 | 1 | 1 |

| Dimensions | Length | Width | Height |
|------------|-----------------|-----------------|---------------|
| A7 125.4 | 16.63in / 422mm | 10.25in / 260mm | 2.20in / 64mm |
| A7 2500.1 | 16.88in / 429mm | 10.25in / 260mm | 2.20in / 64mm |
| A7 3500H.1 | 22.38in / 569mm | 10.25in / 260mm | 2.20in / 64mm |
| A7 5000H.1 | 25.59in / 650mm | 10.25in / 260mm | 2.20in / 64mm |

Images displayed are for illustration purposes only and may differ from actual photos

WDX

MINI AMPLIFIERS



FEATURES:

- Class D Circuitry
- Direct Connect Speaker Terminals
- 4 Gauge Power Wire Input
- CHM- Collective Heat Management
- ACT - Adaptive Crossover Technology
- SESI - Signal Evaluation Status Indicator
- APC - Audio Protection Circuit
- 0 Gauge Power Input (WDX 4000.1)

| | WDX300.4 | WDX200.4 | WDX100.4 |
|-----------------------------|-------------------|-------------------|-------------------|
| ▪ Internal Circuitry | 4 Channel Class D | 4 Channel Class D | 4 Channel Class D |
| ▪ 4Ω @ 14.4 Volts | 4 x 300W | 4 x 200W | 4 x 100W |
| ▪ 2Ω @ 14.4 Volts | 4 x 400W | 4 x 300W | 4 x 150W |
| ▪ 4Ω Bridged | 2 x 400W | 2 x 300W | 2 x 150W |
| ▪ Capability | 2Ω Stereo | 2Ω Stereo | 2Ω Stereo |
| ▪ Master Carton | 5 | 5 | 5 |

| | WDX4000.1 | WDX3000.1 | WDX2000.1 | WDX1500.1 | WDX1000.1 |
|-----------------------------------|--------------|--------------|--------------|--------------|--------------|
| ▪ Internal Circuitry | Class D Mono | Class D Mono | Class D Mono | Class D Mono | Class D Mono |
| ▪ 1Ω @ 14.4 Volts | 1 x 4000W | 1 x 3000W | 1 x 2000W | 1 x 1500W | 1 x 1000W |
| ▪ 2Ω @ 14.4 Volts | 1 x 2000W | 1 x 1500W | 1 x 1000W | 1 x 750W | 1 x 500W |
| ▪ 4Ω @ 14.4 Volts | 1 x 1000W | 1 x 750W | 1 x 500W | 1 x 375W | 1 x 250W |
| ▪ Variable Subsonic Filter | 10Hz ~ 40Hz | 10Hz ~ 40Hz | 10Hz-40Hz | 10Hz-40Hz | 10Hz-40Hz |
| ▪ Capability | 1Ω Mono | 1Ω Mono | 1Ω Mono | 1Ω Mono | 1Ω Mono |
| ▪ Master Carton | 3 | 4 | 5 | 5 | 5 |

| WDX5500.5 | |
|-----------------------------------|----------------------------|
| ▪ Internal Circuitry | 5 Channel Class D |
| ▪ Power @ 14.4 Volts | 4 x 200W @ 4Ω + 500W @ 2Ω |
| ▪ Power @ 14.4 Volts | 4 x 400W @ 2Ω + 500W @ 2Ω |
| ▪ Variable Subsonic Filter | 0Hz ~ 25Hz |
| ▪ Capability | 2Ω Stereo / 2Ω 5th Channel |
| ▪ Master Carton | 5 |



| Dimensions | Length | Height | Width |
|------------|------------------|-----------------|------------------|
| WDX100.4 | 8.25" / 209.6mm | 2.38in / 60.5mm | 5.50in / 139.7mm |
| WDX200.4 | 9" / 228.6mm | 2.38in / 60.5mm | 5.50in / 139.7mm |
| WDX300.4 | 10.63" / 270mm | 2.38in / 60.5mm | 5.50in / 139.7mm |
| WDX1000.1 | 9" / 228.6mm | 2.38in / 60.5mm | 5.50in / 39.7mm |
| WDX1500.1 | 10.50" / 266.7mm | 2.38in / 60.5mm | 5.50in / 139.7mm |
| WDX2000.1 | 12.13" / 308.1mm | 2.38in / 60.5mm | 5.50in / 139.7mm |
| WDX3000.1 | 15.25" / 387.4mm | 2.38in / 60.5mm | 5.50in / 139.7mm |
| WDX4000.1 | 20.63" / 524mm | 2.38in / 60.5mm | 5.50in / 139.7mm |
| WDX5500.5 | 10.63" / 270mm | 2.38in / 60.5mm | 5.50in / 139.7mm |

WDX

AMPLIFIERS



FEATURES:

- 2Ω Stereo Capability 4 Channel Model
- 1Ω Mono Capability on All Mono Amplifiers
- Blue LED POWER-ON Indicator
- Variable Low Level RCA Input
- Variable 12DB Per Octave Low-Pass X-Over
- Direct- Connect Connection Terminals
- Buffered Pre-amp input
- Selectable 6dB- 12dB Boost @ 45Hz
- DRIVESINK Heat Management System
- Unregulated DB-DC PWM Power Supply
- Speaker Short Circuit Protection
- * Bass Remote Included



* Bass Remote Include
WDX 1KG2, WDX 2KG2
WDX 3KG2 & WDX 5KG2

| Dimensions | Length | Height | Width |
|-------------|-----------------|---------------|----------------|
| WDX 300.4G2 | 9.05in / 230mm | 2.25in / 57mm | 6.53in / 166mm |
| WDX 400.4G2 | 11.41in / 290mm | 2.25in / 57mm | 6.53in / 166mm |
| WDX 800.4G2 | 13.77in / 350mm | 2.25in / 57mm | 6.53in / 166mm |
| WDX 1KG2 | 7.08in / 180mm | 2.25in / 57mm | 6.53in / 166mm |
| WDX 2KG2 | 10.11in / 257mm | 2.25in / 57mm | 6.53in / 166mm |
| WDX 3KG2 | 13.30in / 338mm | 2.25in / 57mm | 6.53in / 166mm |
| WDX 5KG2 | 18.62in / 473mm | 2.25in / 57mm | 6.53in / 166mm |





| | WDX 300.4G2 | WDX 400.4G2 | WDX 800.4G2 | *WDX 1KG2 | *WDX 2KG2 | *WDX 3KG2 | *WDX 5KG2 |
|-----------------------------|----------------|----------------|----------------|--------------|--------------|--------------|--------------|
| • Internal Circuitry | 4 Ch. Class AB | 4 Ch. Class AB | 4 Ch. Class AB | Class D Mono | Class D Mono | Class D Mono | Class D Mono |
| • 4Ω @ 14.4 Volts | 4x60 Watts | 4x80 Watts | 4x110 Watts | 1x250 Watts | 1x500 Watts | 1x750 Watts | 1x1250 Watts |
| • 4Ω Bridged | 2x180 Watts | 2x240 Watts | 2x330 Watts | - | - | - | - |
| • 2Ω @ 14.4 Volts | 4x120 Watts | 4x160 Watts | 4x220 Watts | 1x500 Watts | 1x1000 Watts | 1x1500 Watts | 1x2500 Watts |
| • 1Ω @ 14.4 Volts | - | - | - | 1x1000 Watts | 1x2000 Watts | 1x3000 Watts | 1x5000 Watts |
| • Capability | 2Ω Stereo | 2Ω Stereo | 2Ω Stereo | 1Ω Mono | 1Ω Mono | 1Ω Mono | 1Ω Mono |
| • Master Carton | 4 | 4 | 4 | 4 | 4 | 4 | 3 |



Images displayed are for illustration purposes only and may differ from actual photos

WDX

MARINE AMPLIFIERS




FEATURES:

- 4 Channel full range class D technology
- IPX6 Marine grade conformal coated PCB
- ACT – Adaptive Crossover Technology
- CHM – Collective Heat Management
- APC – Audio Protection Circuit
- 2 ohm stereo load capability
- Bridgeable outputs @ 4ohm load
- Compatible with any 4/2 ohm loudspeaker

WDX M4 1500 WATTS

- POWER: 4 X 150 WATTS @ 4 OHMS
- POWER: 4 X 300 WATTS @ 2 OHMS
- POWER: 2 X 600 WATTS , Bridged
- Frequency Response: 20Hz ~ 22KHz
- Signal to Noise Ratio: 103
- Damping factor: 200<
- Low Level Input: 6V - 0.2mV
- Independent Selectable X-over for HPF / LPF /Full
- Variable High/Low Pass Filter (Ch1/2): 40Hz ~ 300Hz
- Variable High/Low Pass Filter (Ch3/4): 40Hz ~ 300Hz
- Working Voltage: 12 ~ 15 volts



| Dimensions | Length | Height | Width |
|------------|---------------------|----------------|--------------------|
| WDX M4 | 10.13 in. / 133.4mm | 2 in. / 50.8mm | 5.25 in. / 257.3mm |

WDX

MARINE AMPLIFIERS

NEW



1500W
MONO AMPLIFIER



FEATURES:

- Mono Class D Technology
- IPX6 Marine Grade Conformal Coated PCB
- ACT – Adaptive Crossover Technology
- CHM – Collective Heat Management
- APC – Audio Protection Circuit
- Amphibious Compliant Connections
- 1 Ohm Mono Capability
- Compatible with any 1 or 2 Ohm Subwoofer
- Bass Remote Included



BASS REMOTE INCLUDED

CROSSOVER CONTROL PANEL



WDX M1.5 1500 WATTS

- POWER: 1 X 1500 WATTS @ 1 OHM
- POWER: 1 X 750 WATTS @ 2 OHMS
- POWER: 1 X 375 WATTS @ 4 OHMS
- Frequency Response :20Hz ~ 250Hz
- Signal to Noise Ratio: 95
- Damping Factor: 100<
- Low Level Input: 6V - 0.2mV
- Variable Low Pass Filter : (12 dB Slope) 30Hz ~ 300Hz
- Variable Subsonic Filter (12 dB Slope) 25Hz ~ 60Hz
- Selectable Bass Boost @ 45Hz: 0-12dB
- Working Voltage : 12 ~ 15 volts

| Dimensions | Length | Height | Width |
|-----------------|---------------------|---------------|------------------|
| WDX M1.5 | 10.13 in. / 133.4mm | 2 in / 50.8mm | 5.25in / 257.3mm |

Images displayed are for illustration purposes only and may differ from actual photos

NEO

POWERSPORTS
AMPLIFIERS



FEATURES

- 5 Channel Full Range D Technology
- 2Ω stereo load capability on Stereo Channels
- 2Ω mono load Capability on 5th Mono Channel
- Amphibious grade conformal coating on PCB
- Audiophile Grade RCA connectors
- Variable 12 db High/ Low-pass Crossover Filters
- Bridgable outputs @ 4Ω load
- Double Sided Circuit Tablet
- Remote Bass Control Included
- Compatible with any 4/2 Ω Loudspeaker

NEO 5v2

5 CHANNEL CLASS D AMPLIFIER



| SPECS | NEO5v2 |
|--------------------------|---------------|
| ▪ Internal Circuitry | 5 Ch. Class D |
| ▪ 4Ω @ 14.4 Volts | 4x125 Watts |
| ▪ 2Ω @ 14.4 Volts | 4x250 Watts |
| ▪ 4Ω Bridged | 2x250 Watts |
| ▪ 2Ω @ 14.4 Volts / 5 Ch | 1X 500 Watts |
| ▪ Capability | 4/2 Ω |
| ▪ Master Carton | 5 |



Bass Remote Included



NEO

POWERSPORTS AMPLIFIERS



Bass Remote Included
(NEO1.5Kv2)

FEATURES

- Class D Circuitry
- 2Ω Stereo capability (NEO4v2)
- 1Ω Mono capability (NEO1.5Kv2)
- Audiophile grade RCA connectors
- Amphibious grade conformal coating on PCB
- Marine grade conformal coated on PCB
- Double sided circuit tablet
- Bridgable outputs @ 4Ω load (NEO4v2)
- Remote Bass Control Included (NEO1.5Kv2)



| SPECS | NEO4v2 | *NEO1.5Kv2 |
|----------------------|---------------|--------------|
| ▪ Internal Circuitry | 4 Ch. Class D | Class D Mono |
| ▪ 4Ω @ 14.4 Volts | 4x125 Watts | - |
| ▪ 2Ω @ 14.4 Volts | 4x250 Watts | - |
| ▪ 4Ω Bridged | 2x500 Watts | - |
| ▪ 1Ω @ 14.4 Volts | - | 1x750 Watts |
| ▪ Capability | 4 / 2Ω | 1Ω Mono |
| ▪ Master Carton | 8 | 8 |



| Dimensions | Length | Height | Width |
|------------|---------------|--------------|--------------|
| NEO4v2 | 6.25" / 159mm | 1.88" / 48mm | 5.3" / 135mm |
| NEO1.5Kv2 | 7.6" / 195mm | 1.88" / 48mm | 5.3" / 135mm |

Images displayed are for illustration purposes only and may differ from actual photos

NEO *M*

POWERSPORTS AMPLIFIERS

MICRO SIZE
MINI AMP



FEATURES

- Class D full range circuitry
- 2 Ω stereo capability (NEO M2/ NEO M4)
- 2 Ω mono capability (NEO M1)
- Audiophile grade connectors
- Marine grade conformal coated on PCB
- THD (100Hz @ 1 Ω) 0.04%
- Bandwidth (-3dB) 18-150Hz
- Damping factor (100Hz @ 4 Ω) 126
- S/N Ratio (as weighted @ 1Volt) 99dB
- Input sensitivity: 0.20MV - 6V

1.92" / 48.7mm



4.13in / 155mm





| SPECS | NEOM1 | NEOM2 | NEOM4 |
|--------------------|--------------|---------------|---------------|
| Internal Circuitry | Class D Mono | 2 Ch. Class D | 4 Ch. Class D |
| 4Ω @ 14.4 Volts | 1x250 Watts | 2x125 Watts | 4x50 Watts |
| 2Ω @ 14.4 Volts | 1x500 Watts | 2x250 Watts | 4x100 Watts |
| 4Ω Bridged | - | 1x500 Watts | - |
| Capability | 2Ω Mono | 2Ω Stereo | 2Ω Stereo |
| Master Carton | 10 | 10 | 10 |

| Dimensions | L | H | W |
|--------------|----------------|-----------------|----------------|
| NEOM1 | 6.10in / 155mm | 1.92in / 48.7mm | 4.13in / 105mm |
| NEOM2 | 6.10in / 155mm | 1.92in / 48.7mm | 4.13in / 105mm |
| NEOM4 | 6.10in / 155mm | 1.92in / 48.7mm | 4.13in / 105mm |

Images displayed are for illustration purposes only and may differ from actual photos

db DRIVE MOTO

POWERSPORTS AMPLIFIERS



Monoblock Class D Amplifier

FEATURES

- Conformal PCB Coating
- CHM- Collective Heat Management
- ACT - Adaptive Crossover Technology
- APC - Audio Protection Circuit
- Class D Circuitry
- 4 Gauge



| SPECS | MOTO2000/1 | MOTO1000/1 |
|---------------------------|--------------|--------------|
| Internal Circuitry | Class D Mono | Class D Mono |
| 1Ω @ 14.4 Volts | 1x2000 Watts | 1x1000 Watts |
| 2Ω @ 14.4 Volts | 1x1000 Watts | 1x500 Watts |
| 4Ω @ 14.4 Volts | 1x500 Watts | 1x250 Watts |
| Capability | 1Ω Mono | 1Ω Mono |
| Master Carton | 5 | 5 |

| DIMENSIONS | L | H | W |
|-------------------|------------------|-----------------|------------------|
| MOTO2000/1 | 7.54in (191.5mm) | 2.46in (62.5mm) | 5.32in (135.1mm) |
| MOTO1000/1 | 6.65in (168.9mm) | 2.46in (62.5mm) | 5.32in (135.1mm) |



MOTO

POWERSPORTS AMPLIFIERS

NEW

PRODUCT GUIDE

4 Channel Class D Full Range Amplifier

FEATURES

- Conformal PCB Coating
- CHM- Collective Heat Management
- ACT - Adaptive Crossover Technology
- APC - Audio Protection Circuit
- Class D Circuitry
- 4 Gauge



5.32in / 135.1mm



2.46in / 62.5mm



| SPECS | MOTO400/4 | MOTO800/4 |
|----------------------------------|-------------------|-------------------|
| Internal Circuitry | 4 Channel Class D | 4 Channel Class D |
| 4Ω @ 14.4 Volts | 4 x 150 Watts | 4 x 300 Watts |
| 2Ω @ 14.4 Volts | 4 x 200 Watts | 4 x 400 Watts |
| 4Ω @ 14.4 Volts (Bridged) | 2 x 200 Watts | 2 x 400 Watts |
| Capability | 2Ω Stereo | 2Ω Stereo |
| Master Carton | 5 | 5 |

| DIMENSIONS | L | H | W |
|------------------|------------------|-----------------|------------------|
| MOTO400/4 | 6.65in (168.9mm) | 2.46in (62.5mm) | 5.32in (135.1mm) |
| MOTO800/4 | 7.83in (198.9mm) | 2.46in (62.5mm) | 5.32in (135.1mm) |

Images displayed are for illustration purposes only and may differ from actual photos

speedseries

AMPLIFIERS



* Bass Remote Included
SPA6.1M, SPA12.1D, SPA15.1D



Circuitry



Mono Capability



Bass Remote



FEATURES:

- 2Ω Stereo Capability 4 Channel Model
- 1Ω Mono Capability (SPA12.1D/SPA15.1D)
- 2Ω Mono Capability (SPA6.1M)
- Low Level RCA Input
- Variable 12DB Per Octave Low-Pass X-Over
- Variable High-Pass or Low-pass crossover filters (SPA8.4)
- Direct- Connect Connection Terminals
- Buffered Pre-amp input
- Double Sided PCB



1.93" / 49.1mm



speedseries

AMPLIFIERS



| SPECS | SPA8.4 | SPA6.1M | SPA12.1D | SPA15.1D |
|--------------------|--------------------|----------------|----------------|----------------|
| Internal Circuitry | 4 Channel Class AB | Mono Class A/B | Mono Class D | Mono Class D |
| 4Ω @ 14.4 Volts | 4 x 80 Watts | 1 x 300 Watts | | |
| 2Ω @ 14.4 Volts | 4 x 160 Watts | 1 x 600 Watts | 1 x 600 Watts | 1 x 750 Watts |
| 1Ω @ 14.4 Volts | | | 1 x 1200 Watts | 1 x 1500 Watts |
| 4Ω Bridged | 2 x 320Watts | - | - | - |
| Capability | 2Ω Stereo | 2Ω Mono | 1Ω Mono | 1Ω Mono |
| Master Carton | 4 | 4 | 4 | 4 |

| DIMENSIONS | L | H | W |
|-----------------|-----------------|---------------|------------------|
| SPA8.4 | 11.61in / 295mm | 1.93 / 49.1mm | 6.98in / 177.4mm |
| SPA6.1M | 7.0in / 180mm | 1.93 / 49.1mm | 6.98in / 177.4mm |
| S9A12.1D | 10.82in / 275mm | 1.93 / 49.1mm | 6.98in / 177.4mm |
| S9A15.1D | 10.82in / 275mm | 1.93 / 49.1mm | 6.98in / 177.4mm |

Images displayed are for illustration purposes only and may differ from actual photos

WDX G5 SERIES

SUBWOOFERS



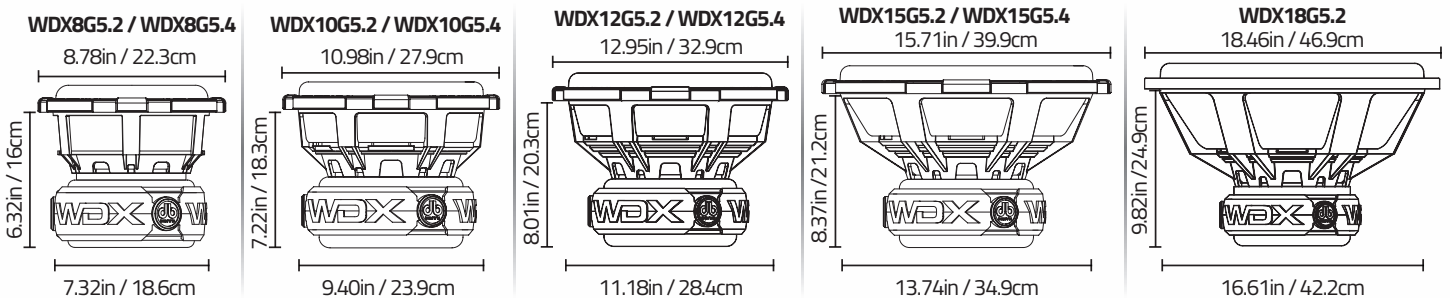
FEATURES:

- Ceramic Ferrite Magnet
- High Temperature Voice Coil
- 1.5" (38mm) Wide Roll Foam Surround
- High Grade Low Carbon Steel Plates
- Designed to Optimize SPL Performance
- High Excursion Spider Design
- Large gauge compression terminals
- Protective magnet cover
- Rubber gasket trim ring

6000 WATTS
MAX POWER

| SPECS | WDX8G5.2 WDX8G5.4 | WDX10G5.2 WDX10G5.4 | WDX12G5.2 WDX12G5.4 | WDX15G5.2 WDX15G5.4 | WDX18G5.2 |
|--------------------|----------------------|------------------------|------------------------|------------------------|---------------------|
| Structure | 8"(20.3cm) Woofer | 10"(25.4cm) Woofer | 12" (30.4cm) Woofer | 15" (38cm) Woofer | 18" (45.7cm) Woofer |
| Max power | 1800 Watts | 3000 Watts | 6000 Watts | 6000 Watts | 6000 Watts |
| Nominal Power | 900 Watts | 1500 Watts | 3000 Watts | 3000 Watts | 3000 Watts |
| Impedance | Dual 2Ω Voice Coil | Dual 2Ω Voice Coil | Dual 2Ω Voice Coil | Dual 2Ω Voice Coil | Dual 2Ω Voice Coil |
| | Dual 4Ω Voice Coil | Dual 4Ω Voice Coil | Dual 4Ω Voice Coil | Dual 4Ω Voice Coil | |
| Voice Coil | 2.5" | 3" | 3" | 3" | 3" |
| Magnet Size | 150oz. | 220oz. | 220oz. | 220oz. | 220oz. |
| V/C Winding Length | 45 mm | 45 mm | 50 mm | 50 mm | 50 mm |
| Master Carton | 2 | 1 | 1 | 1 | 1 |

Dimensions



WDX G3 SERIES

SUBWOOFERS



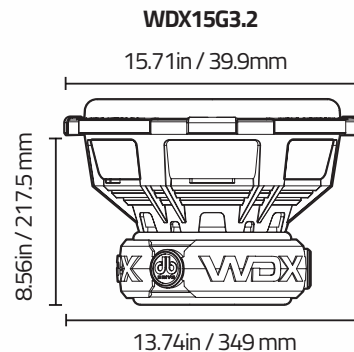
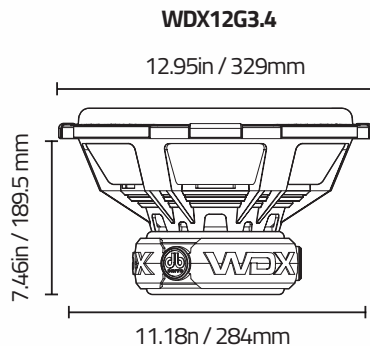
4000 WATTS
MAX POWER

FEATURES:

- Protective magnet cover
- Large gauge compression terminals
 - Rubber gasket trim ring
- Die-cast aluminum vented basket
 - Dual poly-cotton dampeners
- Double stitched foam surround
 - Non-Pressed paper cone
 - High temperature voice coil

| SPECS | WDX12G3.4 | WDX15G3.4 |
|--------------------|---------------------|---------------------|
| Structure | 12" (30.4cm) Woofer | 15" (38.1cm) Woofer |
| Max power | 4000 Watts | 4000 Watts |
| Nominal Power | 2000 Watts | 2000 Watts |
| Impedance | Dual 4Ω Voice Coil | Dual 4Ω Voice Coil |
| Voice Coil | 3" | 3" |
| V/C Winding Length | 45 mm | 45 mm |
| Magnet Size | 190oz. | 190oz. |
| Master Carton | 1 | 1 |

Dimensions



Images displayed are for illustration purposes only and may differ from actual photos

WDX G2 SERIES

SUBWOOFERS



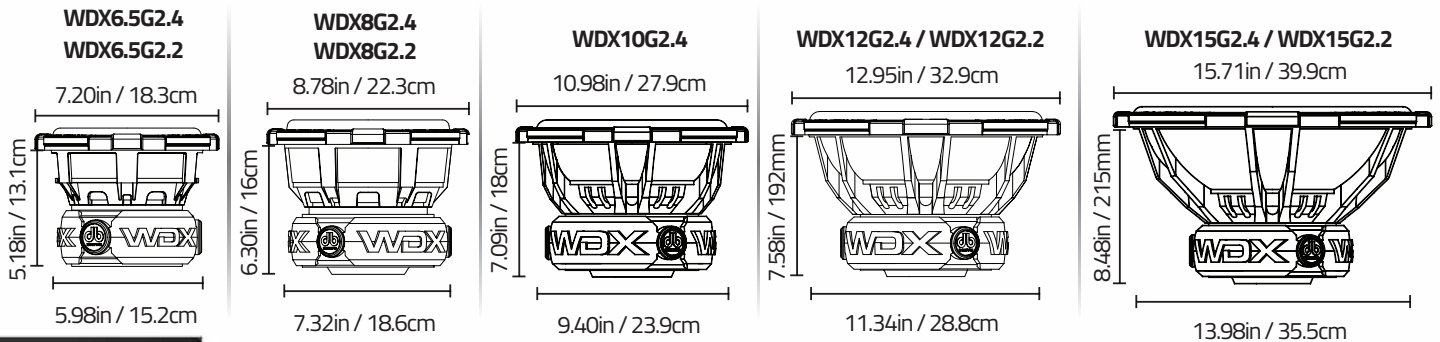
FEATURES:

- Non-Pressed paper cone
- Double stitched foam surround
- Dual poly-cotton dampeners
- Die-cast aluminum vented basket
- Rubber gasket trim ring
- Large gauge compression terminals
- Protective magnet cover

2500 WATTS
MAX POWER

| SPECS | WDX6.5G2.2 WDX6.5G2.4 | WDX8G2.2 WDX8G2.4 | WDX10G2.4 | WDX12G2.2 WDX12G2.4 | WDX15G2.2 WDX15G2.4 |
|--------------------|---|---|--------------------|---|---|
| Structure | 6.5" (16.5cm) | 8" (20.32cm) | 10" (16.5cm) | 12" (30.48cm) | 15" (38.1cm) |
| Max power | 1500 Watts | 1500 Watts | 2200 Watts | 2500 Watts | 2500 Watts |
| Nominal Power | 750 Watts | 750 Watts | 1100 Watts | 1250 Watts | 1250 Watts |
| Impedance | 2Ω Dual Voice Coil /4Ω Dual Voice Coil | 2Ω Dual Voice Coil /4Ω Dual Voice Coil | 4Ω Dual Voice Coil | 2Ω Dual Voice Coil/ 4Ω Dual Voice Coil | 2Ω Dual Voice Coil/ 4Ω Dual Voice Coil |
| Voice Coil | 2" (50.8mm) | 2.5" (63.5mm) | 3" (76.2 mm) | 3" (76.2mm) | 3" (76.2mm) |
| Magnet Size | 75 oz. | 100 oz. | 150 oz. | 150 oz. | 150 oz. |
| Master Carton | 2 | 2 | 1 | 1 | 1 |
| V/C Winding Length | 45 mm | 45 mm | 45 mm | 45 mm | 45 mm |

Dimensions



WDX G1 SERIES

SUBWOOFERS



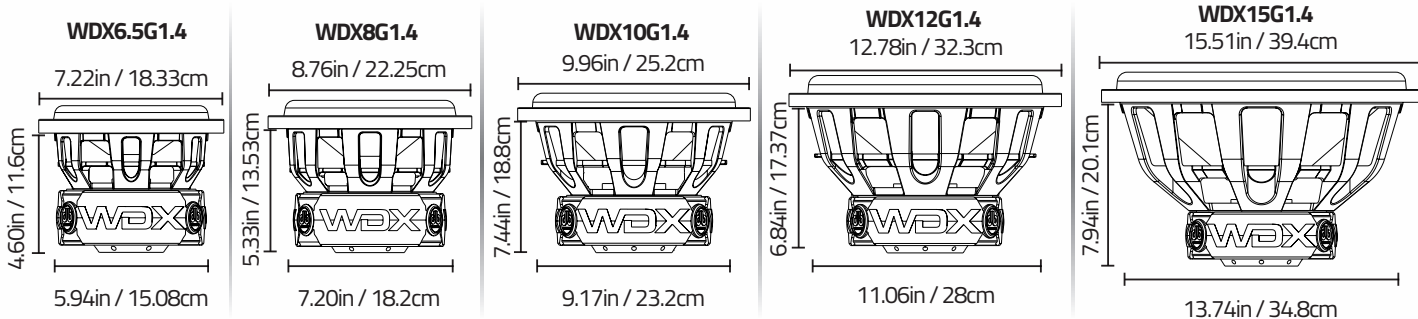
- FEATURES:**
- High Temperature Voice coil
 - Non-Pressed Paper cone
 - Double stitched foam surround
 - Dual poly-cotton dampeners
 - Die-cast aluminum vented basket
 - Rubber gasket trim ring
 - Large Gauge compression terminals
 - Protective magnet cover



2000 WATTS
MAX POWER

| SPECS | WDX6.5G1.4 | WDX8G1.4 | WDX10G1.4 | WDX12G1.4 | WDX15G1.4 |
|---------------|----------------------|--------------------|---------------------|--------------------|--------------------|
| Structure | 6.5" (16.5cm) Woofer | 8" (20.3cm) Woofer | 10" (25.4cm) Woofer | 12"(30.4cm) Woofer | 15"(38.1cm) Woofer |
| Max power | 600 Watts | 1200 Watts | 2000 Watts | 2000 Watts | 2000 Watts |
| Nominal Power | 300 Watts | 600 Watts | 1000 Watts | 1000 Watts | 1000 Watts |
| Impedance | Dual 4Ω Voice Coil | Dual 4Ω Voice Coil | Dual 4Ω Voice Coil | Dual 4Ω Voice Coil | Dual 4Ω Voice Coil |
| Voice Coil | 1.5" | 2" | 3" | 3" | 3" |
| Magnet Size | 80oz. | 120oz. | 135oz. | 135oz. | 135oz. |
| Master Carton | 4 | 2 | 1 | 1 | 1 |

Dimensions



WDX[™] GO SERIES

SUBWOOFERS

NEW



1200* WATTS
MAX POWER



FEATURES:

- 2" High Temperature Voice coil (WDX8G0.4)
- 2.5" High Temperature Voice coil (WDX10G0.4, *WDX12G0.4)
 - 4 Ohm DVC
 - Reinforced Paper cone
- Double stitched foam surround
 - Dual poly-cotton dampeners
- Stamped Cast Steel vented basket
 - Rubber gasket trim ring
- Large Gauge compression terminals
 - Protective magnet cover

WDX^{GO} SERIES

SUBWOOFERS

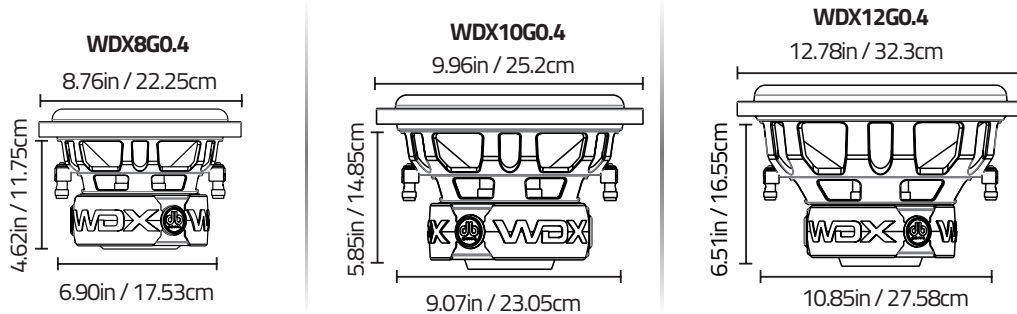
NEW

PRODUCT GUIDE



| SPECS | WDX8G0.4 | WDX10G0.4 | *WDX12G0.4 |
|---------------|--------------------|---------------------|---------------------|
| Structure | 8" (20.3cm) Woofer | 10" (25.4cm) Woofer | 12" (30.4cm) Woofer |
| Max power | 800 Watts | 1000 Watts | 1200 Watts |
| Nominal Power | 400 Watts | 500 Watts | 600 Watts |
| Impedance | Dual 4Ω Voice Coil | Dual 4Ω Voice Coil | Dual 4Ω Voice Coil |
| Voice Coil | 2" | 2.5" | 2.5" |
| Magnet Size | 80oz. | 100oz. | 100oz. |
| Master Carton | 2 | 2 | 2 |

Dimensions



speedseries

SUBWOOFERS

SPWSERIES

FEATURES:

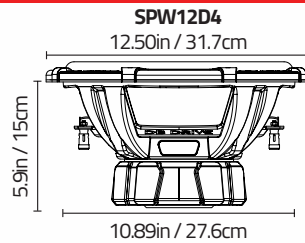
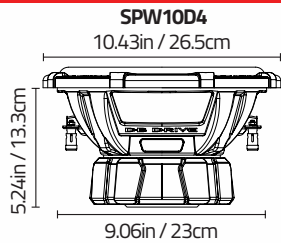
- 2" (50mm) 4 Layer Voice Coil w/ KSV Former
- 64oz. Ferrite Oxide magnet
- Vac PP Sub Cone Structure with Butyl rubber Surround
- Inverted Vac PP Dome
- Anti-resonant Stamped Steel frame
- High Carbon Steel top and bottom plates
- Poly-Cotton Dampeners
- Compression Speaker Terminals



1250 WATTS
MAX POWER

| SPECS | SPW10D4 | SPW12D4 |
|---------------|---------------------|---------------------|
| Structure | 10" (25.4cm) Woofer | 12" (30.4cm) Woofer |
| Max power | 1250 Watts | 1250 Watts |
| Nominal Power | 600 Watts | 600 Watts |
| Impedance | Dual 4Ω Voice Coil | Dual 4Ω Voice Coil |
| Master Carton | 2 | 2 |

Dimensions



speedseries

SUBWOOFERS



SPXSERIES

FEATURES:

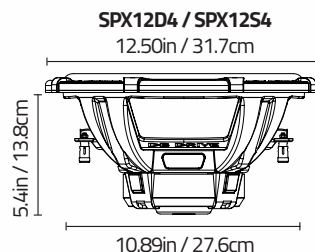
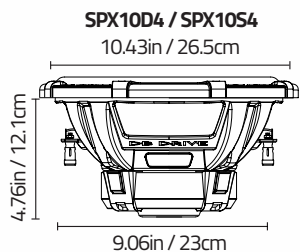
- 2" (50mm) Voice Coil w/ KSV Former
 - 23oz. Ferrite Oxide magnet
- PP Cone Structure with Foam Surround
 - Vac PP Dome
- Anti-resonant Stamped Steel frame
- High Carbon Steel top and bottom plates
 - Poly-Cotton Dampeners
- Compression Speaker Terminals



900 WATTS
MAX POWER

| SPECS | SPX10D4 | SPX10S4 | SPX12D4 | SPX12S4 |
|---------------|---------------------|----------------------|---------------------|----------------------|
| Structure | 10" (25.4cm) Woofer | 10" (25.4cm) Woofer | 12" (30.4cm) Woofer | 12" (30.4cm) Woofer |
| Max power | 900 Watts | 900 Watts | 900 Watts | 900 Watts |
| Nominal Power | 300 Watts | 300 Watts | 300 Watts | 300 Watts |
| Impedance | Dual 4Ω Voice Coil | Single 4Ω Voice Coil | Dual 4Ω Voice Coil | Single 4Ω Voice Coil |
| Master Carton | 2 | 2 | 2 | 2 |

Dimensions



Images displayed are for illustration purposes only and may differ from actual photos

speedseries

SHALLOW SUBWOOFERS



1000 WATTS
MAX POWER



FEATURES:

- 2.5" (63mm) 4 Layer Dual 4 Ohm VC w/ Aluminum Former
- Ferrite Magnet
- IMPP Cone with Foam Surround
- Ultra Thin Stamped Steel Frame Design
- Blue Zinc Finished Top and Bottom Plates
- Mixed C Fiber Spider
- Heavy Gauge Spring Terminals

speedseries

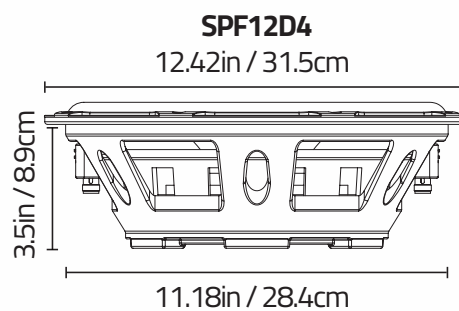
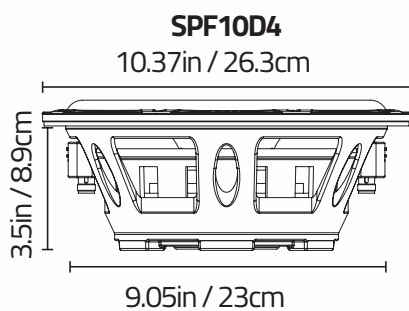
SHALLOW SUBWOOFERS

PRODUCT GUIDE



| SPECS | SPF10D4 | SPF12D4 |
|---------------|---------------------|---------------------|
| Structure | 10" (25.4cm) Woofer | 12" (30.4cm) Woofer |
| Max power | 1000 Watts | 1000 Watts |
| Nominal Power | 300 Watts | 300 Watts |
| Impedance | Dual 4Ω Voice Coil | Dual 4Ω Voice Coil |
| Magnet Size | 40oz. | 60oz. |
| Master Carton | 4 | 4 |

Dimensions



Images displayed are for illustration purposes only and may differ from actual photos

WDX G2

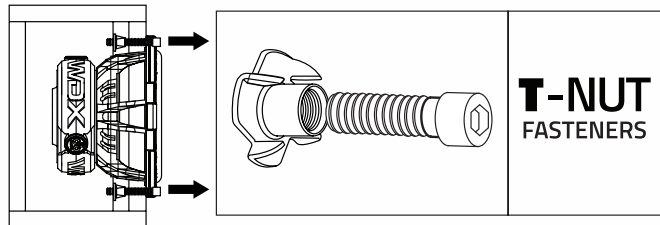
BASS • CRATE



FEATURES:

- 0.75" (19mm) MDF High Grade Construction
- Dual Layer Front Baffle 1.5" (38mm) Thick
- Counter Sunk Subwoofer Mounting T-nut Fasteners
- Plush Protective Carpet with Signature WDX Logo
- Factory tuned vent
- Protective Bar Grills
- 12 Gauge Copper Wiring
- Spring load terminals

Preloaded with WDX G2 Series Subwoofers



BASS CRATE BOX SPECIFICATIONS

| SUBWOOFER | NUMBER OF SUBWOOFERS | OHM LOAD | WATTS | LENGTH, WIDTH, HEIGHT |
|-----------|----------------------|----------|------------|--|
| WDX6-2BC | 2 SUBS | 1Ω or 4Ω | 1000 Watts | 20in/50.8cm x 12.9in/32.7cm x 9in/22.8cm |
| WDX6-3BC | 3 SUBS | 1Ω | 1500 Watts | 28in/71.1cm x 15.8in/40.1cm x 11in/27.9cm |
| WDX8-1BC | 1 SUB | 1Ω or 4Ω | 1000 Watts | 23.62in/59.9cm x 15.9in/40.3cm x 10.7in/27.1cm |
| WDX8-2BC | 2 SUBS | 1Ω or 4Ω | 1500 Watts | 27.9in/70.8cm x 15in/38.1cm x 12in/30.4cm |
| WDX8-3BC | 3 SUBS | 1Ω | 3000 Watts | 36in/91.4cm x 15.8in/40.1cm x 13in/33cm |
| WDX10-1BC | 1 SUB | 1Ω or 4Ω | 1000 Watts | 22.9in/58.1cm x 15.9in/40.3cm x 13in/33cm |
| WDX10-2BC | 2 SUBS | 1Ω or 4Ω | 3000 Watts | 32in/81.2cm x 15in/38.1cm x 13in/33cm |
| WDX12-1BC | 1 SUB | 1Ω or 4Ω | 3000 Watts | 28in/71.1cm x 16in/40.6cm x 15in/38.1cm |
| WDX12-2BC | 2 SUBS | 1Ω or 4Ω | 3000 Watts | 32in/81.2cm x 16.8in/42.6cm x 15in/38.1cm |

speedseries

BASS • CRATE

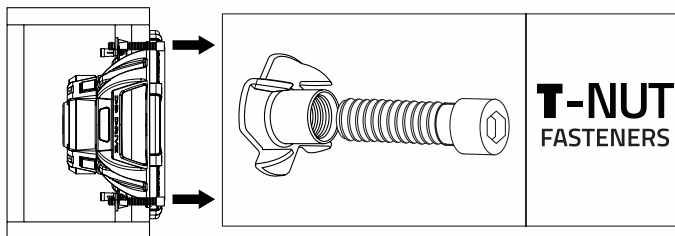


FEATURES:

- MDF High Grade Construction
 - Dual Layer Front Baffle
- Counter Sunk Subwoofer Mounting T-nut Fasteners
- Plush Protective Carpet with Signature Speed Logo
- 12 Gauge Copper Wiring
 - Spring load terminals



Preloaded with SPX Series Subwoofers



T-NUT FASTENERS

BASS CRATE BOX SPECIFICATIONS

| SUBWOOFER | NUMBER OF SUBWOOFERS | OHM LOAD | MAX POWER | NOMINAL POWER | LENGTH, WEDGE WIDTH, HEIGHT |
|-----------|----------------------|----------|------------|---------------|--|
| SPX10-2BC | 2 SUBS | 1Ω or 4Ω | 1000 Watts | 500 Watts | 24in/60.9cm x 15in/38cm x 12in/30.4cm |
| SPX12-1BC | 1 SUB | 4Ω | 900 Watts | 300 Watts | 13.9in/35.3cm x 16.4in/41cm / x 13in/33cm |
| SPX12-2BC | 2 SUBS | 1Ω or 4Ω | 1000 Watts | 500 Watts | 28.5in/72.3cm x 16.4in/41cm x 13.25in/33.6cm |

| SUBWOOFER | NUMBER OF SUBWOOFERS | RECOMMENDED AMPLIFIER OPTION 1 | RECOMMENDED AMPLIFIER OPTION 2 | RECOMMENDED AMPLIFIER OPTION 3 |
|------------------------------|----------------------|--------------------------------|--------------------------------|--------------------------------|
| DB DRIVE WDX G5 | | | | |
| WDX8G5.2 | 1 SUB @ 1Ω | WDX 2KG2 | SPA15.1D | |
| WDX8G5.4 | 2 SUBS @ 1Ω | WDX 3KG2 | A7 2500.1 | SPA15.1D |
| WDX10G5.2 | 1 SUB @ 1Ω | WDX 2KG2 | SPA15.1D | |
| WDX10G5.4 | 2 SUBS @ 1Ω | WDX 5KG2 | A7 2500.1 | SPA15.1D |
| WDX12G5.2 | 1 SUB @ 1Ω | WDX 3KG2 | A7 2500.1 | |
| WDX12G5.4 | 2 SUBS @ 1Ω | WDX 5KG2 | A7 3500.1 | A7 5000.1 |
| WDX15G5.2 | 1 SUB @ 1Ω | WDX 3KG2 | A7 2500.1 | |
| WDX15G5.4 | 2 SUBS @ 1Ω | WDX 5KG2 | A7 5000.1 | A7 3500.1 |
| WDX18G5.2 | 1 SUB @ 1Ω | WDX 3KG2 | A7 2500.1 | |
| DB DRIVE WDX G3 | | | | |
| WDX12G3.4 | 2 SUBS @ 1Ω | WDX 5KG2 | A7 2500.1 | WDX 3KG2 |
| WDX12G3.4 | 2 SUBS @ 1Ω | WDX 5KG2 | A7 2500.1 | WDX 3KG2 |
| DB DRIVE WDX G2 | | | | |
| WDX6.5G2.4 | 2 SUBS @ 1Ω | WDX 1KG2 | NEO1.5Kv2 | SPA15.1D |
| WDX8G2.4 | 2 SUBS @ 1Ω | WDX 1KG2 | NEO1.5Kv2 | SPA15.1D |
| WDX10G2.4 | 2 SUBS @ 1Ω | WDX 2KG2 | | |
| WDX12G2.4 | 2 SUBS @ 1Ω | WDX 3KG2 | | |
| WDX12G2.2 | 1 SUB @ 1Ω | WDX 2KG2 | NEO1.5Kv2 | SPA15.1D |
| WDX15G2.4 | 2 SUBS @ 1Ω | WDX 3KG2 | | |
| WDX15G2.2 | 1 SUB @ 1Ω | WDX 2KG2 | NEO1.5Kv2 | SPA15.1D |
| DB DRIVE WDX G2F | | | | |
| WDX8G2F-4 | 2 SUBS @ 1Ω | WDX 1KG2 | NEO1.5Kv2 | SPA12.1D |
| WDX10G2F-4 | 2 SUBS @ 1Ω | WDX 2KG2 | NEO1.5Kv2 | SPA15.1D |
| DB DRIVE WDX G1 | | | | |
| WDX6.5G1.4 | 2 SUBS @ 1Ω | WDX 1KG2 | NEO1.5Kv2 | SPA12.1D |
| WDX8G1.4 | 2 SUBS @ 1Ω | WDX 1KG2 | NEO1.5Kv2 | SPA15.1D |
| WDX10G1.4 | 2 SUBS @ 1Ω | WDX 1KG2 | SPA15.1D | NEO1.5Kv2 |
| WDX12G1.4 | 2 SUBS @ 1Ω | WDX2 KG2 | SPA15.1D | |
| WDX15G1.4 | 2 SUBS @ 1Ω | WDX 2KG2 | SPA15.1D | SPA12.1D |
| DB DRIVE SPEED SERIES | | | | |
| SPW10D4 | 2 SUBS @ 1Ω | WDX 1KG2 | SPA12.1D | NEO1.5Kv2 |
| SPW10D4 | 1 SUBS @ 2Ω | SPA6.1M | SPA12.1D | NEO M1 |
| SPW12D4 | 2 SUBS @ 1Ω | SPA12.1D | NEO1.5Kv2 | SPA15.1D |
| SPW12D4 | 1 SUBS @ 2Ω | SPA6.1M | NEO1.5Kv2 | SPA12.1D |
| SPF10D4 | 2 SUBS @ 1Ω | WDX 1KG2 | SPA12.1D | |
| SPF12D4 | 2 SUBS @ 1Ω | SPA12.1D | NEO1.5Kv2 | |
| SPX10D4 | 2 SUBS @ 1Ω | SPA12.1D | | |
| SPX10D4 | 1SUBS @ 2Ω | SPA6.1M | NEO M1 | |
| SPX10S4 | 2 SUBS @ 2Ω | SPA6.1M | NEO M1 | SPA8.4 - 4CH |
| SPX12D4 | 1 SUB @ 2Ω | SPA6.1M | NEO M1 | |
| SPX12D4 | 2 SUBS @1Ω | SPA12.1D | | |
| SPX12S4 | 2 SUB @ 2Ω | SPA12.1D | NEO1.5Kv2 | SPA8.4 - 4CH |
| WDX BASS CRATE | | | | |
| WDX6-2BC | 2 SUBS | WDX 1KG2 @ 1Ω | NEO1.5Kv2@1Ω | |
| WDX6-3BC | 3 SUBS | WDX 2KG2 @ 1Ω | SPA12.1D@1Ω | |
| WDX8-1BC | 1 SUB | WDX 1KG2 @ 1Ω | NEO1.5Kv2@1Ω | |
| WDX8-2BC | 2 SUBS | WDX 2KG2 @ 1Ω | SPA15.1D | |
| WDX8-3BC | 3 SUBS | WDX 3KG2 @ 1Ω | SPA15.1D | |
| WDX10-1BC | 1 SUB | WDX 1KG2 @ 1Ω | NEO1.5Kv2@1Ω | |
| WDX10-2BC | 2 SUBS | WDX 2KG2 @ 1Ω | SPA15.1D | |
| WDX12-1BC | 1 SUB | WDX 1KG2 @ 1Ω | SPA15.1D | |
| WDX12-1BC | 2 SUBS | WDX 2KG2 @ 1Ω | SPA15.1D | |
| SPX10-2BC | 2 SUBS | SPA12.1D@1Ω | WDX 1KG2 @ 1Ω | |
| SPX12-1BC | 1 SUB | SPA8.4@4Ω | WDX 400.4G2 @ 4Ω | |
| SPX12-2BC | 2 SUBS | SPA12.1D@1Ω | WDX 1KG2 @ 1Ω | |

Notice:
 Recommended minimum amplifier power options from most compatible (Green) to acceptable (Orange) levels.
 More powerful amplifiers may be used with proper calibration.

WDX-AS10

10" (25.4cm) ACTIVE SUBWOOFER

PRODUCT GUIDE

FEATURES:

- Dynamic Power – 900 Watts
- RMS Power – 250 Watts
- Adjustable Input sensitivity
- Low Level RCA INPUTS
- Factory Radio High Level Inputs
- Selectable Audio Sensing Remote Turn On
- Variable Low-pass Filter 50Hz – 150Hz
- Variable Bass Boost @ 45Hz 0-18 dB
- Active Subsonic Filter @ 20Hz
- Selectable Phase Shift 0 to 180 Degrees
- Remote Gain Control
- Multi-fault Protection Circuitry
- MOSFET Power Supply
- Dimensions L 13.5" (342mm) x W 10.25" (260.35mm) x H 2.63" (66.80mm)



900 WATTS
MAX POWER

Master Carton

3



Bass Remote Included



Factory Radio
Compatible



Bass Remote



Low Profile



Fits Under
Most Seats

- **Powered 10" Sub-Woofer In Compact Size**
- **Fits Under Most Front Car Seats**
- **Giving Your Vehicle Better Sound and Bass Response**

Images displayed are for illustration purposes only and may differ from actual photos

31



WDX 6MOTO-CD

6.5" 2 Way Loudspeaker with Backload Compression Driver

500 WATTS
MAX POWER



STAMPSTEEL



FEATURES:

- 1" Aluminum Compression Style Tweeter
- Element Rated Cone Design
- Bi-Ribbed Treated Cloth Surround
- 1.5" High Output Til Midrange Voice
- Protective Grill Included
- Wide Dispersion Conical Wave Guide

| SPECS | WDX6MOTO-CD | WDX69MOTO-CD |
|--------------------|---------------------------|--------------------------------|
| Structure | 6.5" (16.5cm) Loudspeaker | 6x9" (15.2x22.8cm) Loudspeaker |
| Max power | 500 Watts | 650 Watts |
| Nominal Power | 250 Watts | 325 Watts |
| Impedance | 4Ω | 4Ω |
| Sensitivity | 103.5dB | 101.3dB |
| Frequency Response | 90Hz - 18KHz | 75Hz - 18KHz |
| Master Carton | 4 | 4 |

NEW

WDX CD

PRODUCT GUIDE



650 WATTS
MAX POWER

WDX 69MOTO-CD

6x9" 2 Way Loudspeaker with Backload Compression Driver

STAMPSTEEL

IP52
WEATHER RESISTANT

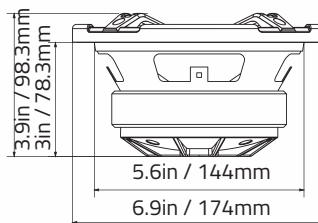
FEATURES:

- 1" Aluminum Compression Style Tweeter
- Element Rated Cone Design
- Bi-Ribbed Treated Cloth Surround
- 1.5" High Output Til Midrange Voice
- Protective Grill Included
- Wide Dispersion Conical Wave Guide

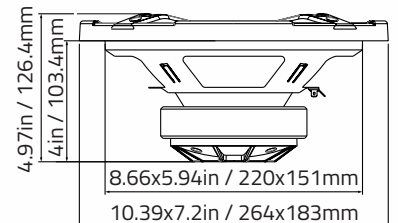


Dimensions

WDX6MOTO-CD



WDX69MOTO-CD



WDX G2

MOTOSERIES

WDX 46MOTO-G2

150 WATTS
MAX POWER

NEW



WDX 6MOTO-G2

400 WATTS
MAX POWER



WDX 8MOTO-G2

550 WATTS
MAX POWER

IP52
WEATHER RESISTANT



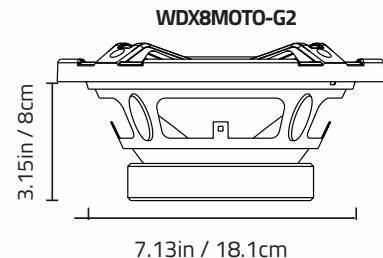
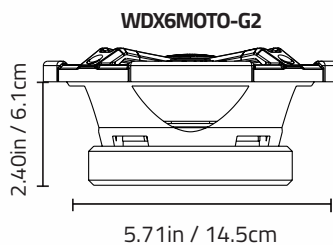
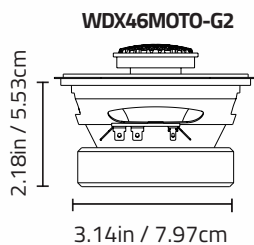
FEATURES:

- Weather Resistant Speaker
- High Efficiency Loudspeaker
- Ultra Light Weight Treated Cone
- High Reaction Ribbed Treated Surround
- High Temperature Voice Coil
- 1.25" (28mm) Aluminum Dome Component Grade Tweeter with Rear Resonance Chamber
- Radial Voice Coil Venting
- Low Profile Tweeter
- Protective Grills Included



| SPECS | WDX46MOTO-G2 | WDX8MOTO-G2 | WDX6MOTO-G2 |
|--------------------|----------------------------------|------------------------|---------------------------|
| Structure | 4x6" (10.16x15.24cm) Loudspeaker | 8" (203cm) Loudspeaker | 6.5" (16.5cm) Loudspeaker |
| Max power | 150 Watts | 550 Watts | 400 Watts |
| Nominal Power | 55 Watts | 275 Watts | 175 Watts |
| Impedance | 4Ω | 4Ω | 4Ω |
| Sensitivity | 89.6dB | 103.5dB | 103.5dB |
| Frequency Response | 82Hz - 21KHz | 75Hz - 21KHz | 80Hz - 21KHz |
| Master Carton | 8 | 4 | 4 |

Dimensions



WDX MOTOSERIES



WDX 8MOTO



WDX 6MOTO



WDX 69MOTO



FEATURES

- High efficiency loudspeaker
- Ultra light weight treated cone
- High reaction ribbed treated surround
- 1" (25mm) high temperature voice coil
- Steel Stamped Basket
- 1.25" (28mm) aluminum dome tweeter with resonance chamber
- Protective grills included

| SPECS | WDX6MOTO | WDX8MOTO | WDX69MOTO |
|--------------------|-----------------------|---------------------|-------------------------------|
| Structure | 6.5" (16.5cm) Speaker | 8" (20.3cm) Speaker | 6x9"(15.2cm x 22.8cm) Speaker |
| Max power | 350 Watts | 500 Watts | 500 Watts |
| Nominal Power | 150 Watts | 250 Watts | 250 Watts |
| Frequency Response | 80Hz - 21KHz | 75Hz - 21KHz | 70Hz - 21KHz |
| Master Carton | 4 | 2 | 2 |

| Dimensions | Mounting Depth | Cutout Diameter |
|------------|-----------------|-----------------------------------|
| WDX6MOTO | 2.56in / 6.5cm | 5.63in / 14.3cm |
| WDX8MOTO | 2.9in / 7.5cm | 7.12in / 18.1cm |
| WDX69MOTO | 2.81in / 7.15cm | 6.02in x 8.77in / 15.3cm x 22.3cm |



MESH GRILL

WDX

MOTOSERIES

DIECAST

NEW



FEATURES:

- High efficiency component system
- 6 x 9" Component loudspeakers
- Ultra light weight treated cone
- High reaction ribbed treated cloth surround
- 1.5" High temperature voice coil
- Stamped steel basket
- Radial voice coil bending
- Protective grill included
- Multi-mount tweeter flange
- 12dB Passive crossover network
- 1.25" Aluminum dome tweeter with resonance chamber

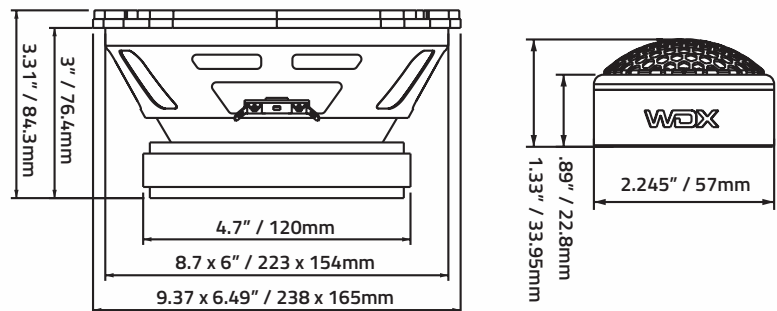
WDX 69C-G2

COMPONENT SYSTEM

500 WATTS

| SPECS | WDX69C-G2 |
|--------------------|----------------|
| Structure | 6x9" Component |
| Max power | 600 Watts |
| Nominal Power | 300 Watts |
| Impedance | 4Ω |
| Sensitivity | 103.7dB |
| Frequency Response | 75Hz - 21KHz |
| Master Carton | 2 |

Dimensions



WDX MOTOSERIES

DIECAST

500 WATTS

PRODUCT GUIDE

FEATURES:

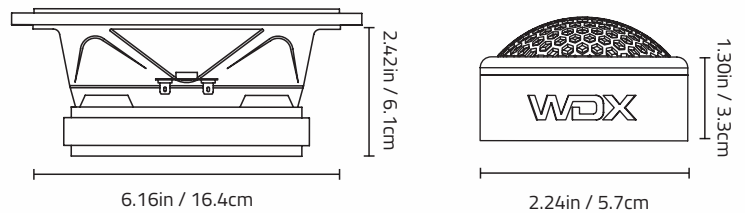
- High Efficiency Component System
- 6.5" (16.5cm) Component Loudspeakers
- Ultra Light Weight Paper Cone
- High Reaction Ribbed Surround
- 1" (25mm) High Temperature Voice Coil
- Die-Cast Aluminum Anti Resonance Basket
- 1.25" (28mm) Aluminum Dome Tweeter with Resonance Chamber
- Multi-Mount Tweeter Flange
- 12dB Passive Crossover Network
- Protective Grills Included



WDX 65C COMPONENT SYSTEM

| SPECS | WDX65C |
|--------------------|-------------------------|
| Structure | 6.5" (16.5cm) Component |
| Max power | 500 Watts |
| Nominal Power | 250 Watts |
| Impedance | 4Ω |
| Sensitivity | 103.5dB |
| Frequency Response | 80Hz - 21KHz |
| Master Carton | 2 |

Dimensions



WDX 1TW-MOTO

| FEATURES | WDX1TW-MOTO |
|--------------------|----------------------------------|
| Structure | 1.25" (2.8cm) Component Tweeters |
| Max power | 225 Watts |
| Nominal Power | 150 Watts |
| Impedance | 4Ω |
| Sensitivity | 101.4dB |
| Frequency Response | 4KHz - 22.5KHz |
| Master Carton | 30 |

Dimensions



FEATURES:

- 1.25" (28mm) High Efficiency Component Tweeters
- Silk Surround with Aluminum Dome
- Neo Magnet with Rear Resonance Chamber
- Surface and Flush mount application Hardware included
- 6db Passive Crossover Included
- Designed for High Output
- 1 Pair

Images displayed are for illustration purposes only and may differ from actual photos

WDX JEEP

Loudspeakers

WDX 65C-JP

6.5" Component Speakers

NEW

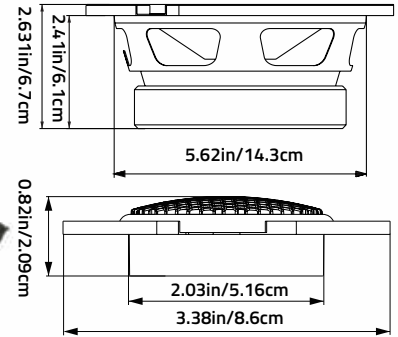


500 WATTS
MAX POWER

FEATURES

- 6.5" Component Speakers
- High-Efficiency 2-way Loudspeaker
- Ultra-Light Weight Paper Cone
- High Reaction Cloth Ribbed Surround
- 1.5" High-Temperature Voice Coil
- Stamped Steel Basket
- Plug & Play Harness Included

| SPECS | WDX65C-JP |
|--------------------|-------------------------|
| Structure | 6.5" (16.5cm) Component |
| Max power | 500 Watts |
| Nominal Power | 250 Watts |
| Impedance | 4Ω |
| Sensitivity | 93.9dB |
| Frequency Response | 80Hz - 21KHz |
| Master Carton | 4 |



NEW

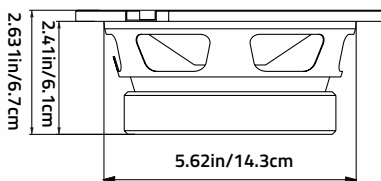
Plug & Play Harness Included



WDX 65-JP

6.5" 2-Way Loudspeakers

350 WATTS
MAX POWER



FEATURES

- 6.5" 2-Way Loudspeaker
- High-Efficiency 2-way Loudspeaker
- Ultra-Light Weight Paper Cone
- High Reaction Cloth Ribbed Surround
- 1.5" High-Temperature Voice Coil
- Stamped Steel Basket
- Plug & Play Harness Included

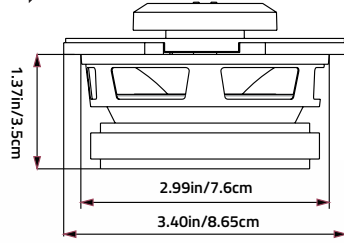
| SPECS | WDX65-JP |
|--------------------|---------------------------|
| Structure | 6.5" (16.5cm) Loudspeaker |
| Max power | 350 Watts |
| Nominal Power | 150 Watts |
| Impedance | 4Ω |
| Sensitivity | 95.8dB |
| Frequency Response | 80Hz - 21KHz |
| Master Carton | 4 |

120 WATTS
MAX POWER

WDX35-JP
3.5" 2-Way Loudspeakers

PRODUCT GUIDE

NEW



| SPECS | WDX35-JP |
|--------------------|---------------------------|
| Structure | 3.5" (2.54cm) Loudspeaker |
| Max power | 120 Watts |
| Nominal Power | 35 Watts |
| Impedance | 4Ω |
| Sensitivity | 85.6dB |
| Frequency Response | 120Hz - 20KHz |
| Master Carton | |



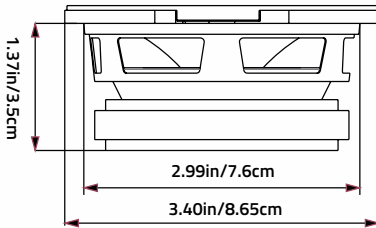
FEATURES

- 3.5" 2-Way Loudspeaker
- High Efficiency 2-Way Loudspeaker
- Ultra-Light Weight Paper Cone
- High Reaction Cloth Surround
- .75" High-Temperature Voice Coil
- Stamped Steel Basket
- Plug & Play Harness Included

WDX35MR-JP
3.5" Midrange Loudspeaker

NEW

110 WATTS
MAX POWER



| SPECS | WDX35MR-JP |
|--------------------|------------------------|
| Structure | 3.5" (2.54cm) Midrange |
| Max power | 110 Watts |
| Nominal Power | 30 Watts |
| Impedance | 4Ω |
| Sensitivity | 88.8dB |
| Frequency Response | 120Hz - 20KHz |
| Master Carton | |



Plug & Play Harness Included

OEM Compatible between 2007 to 2018 vehicles, will fit some 2019 - 2021 with minor modification. Check with your Car Audio installation professional for exact fit specifications.

platinumseries

LOUDSPEAKERS

PTS65C

6.5" (165.1mm) Component

POLY-GRAPHITEBASKET

MESH GRILL
INCLUDED

325 WATTS
MAX POWER



| SPECS | PTS65C |
|--------------------|-------------------------|
| Structure | 6.5" (16.5cm) Component |
| Max power | 325 Watts |
| Nominal Power | 110 Watts |
| Impedance | 2Ω |
| Sensitivity | 93dB |
| Frequency Response | 40Hz - 22KHz |
| Master Carton | 4 |

SPEAKER:

- Rubber Surround
- Carbon Graphite Injection PP Cone
- 1.20"(30.48mm) Voice Coil
- Ferrite Oxide Magnet

TWEETER:

- 0.75" (19mm) Silk Dome Tweeter
- Neodymium Magnet

SQL
PERFORMANCE



+ 3dB
Musical
Advantage

12dB
CROSSOVER

platinumseries

LOUDSPEAKERS

FEATURES:

- Neodymium Magnet
- Rubber Surround
- Carbon Graphite Injection PP Cone
- 1" (25mm) Voice Coil
- Ferrite Oxide Magnet



PTS69 3-Way Speaker

POLY-GRAPHITEBASKET



PTS57 2-Way Speaker



PTS46 2-Way Speaker



PTS65 2-Way Speaker



| SPECS | PTS46 | PTS57 | PTS65 | PTS69 |
|--------------------|--------------------------------|--------------------------------|-----------------------|--------------------------------|
| Structure | 4x6" (10.1cm x 15.2cm) Speaker | 5x7" (12.7cm x 17.7cm) Speaker | 6.5" (16.5cm) Speaker | 6x9" (15.2cm x 22.8cm) Speaker |
| Max power | 180 Watts | 300 Watts | 300 Watts | 350 Watts |
| Nominal Power | 65 Watts | 100 Watts | 100 Watts | 125 Watts |
| Impedance | 2Ω | 2Ω | 2Ω | 2Ω |
| Frequency Response | 40Hz - 22KHz | 40Hz - 22KHz | 35Hz - 22KHz | 35Hz - 23KHz |
| Master Carton | 10 | 4 | 4 | 4 |

Images displayed are for illustration purposes only and may differ from actual photos

speedseries

LOUDSPEAKERS

STAMPED STEEL



S6C Component System

FEATURES

SPEAKER:

- Injection Polypropylene Cone
 - Rubber Surround
- 1"(25mm) Voice Coil Diameter
 - Ferrite Oxide Magnet

TWEETER:

- 1/2"(13mm) PEI Dome
 - Neodymium Magnet



S69P 4-Way Speaker



S1T Aluminum Tweeter



S3T Aluminum Tweeter



S65 2-Way Speaker



S3.5 2-Way Speaker



S65P 2-Way Speaker



S4.0 2-Way Speaker



S57 2-Way Speaker



S46 2-Way Speaker



S5.25 2-Way Speaker



S69 4-Way Speaker

| SPECS | S1T | S3T | S3.5 | S4.0 | S46 |
|--------------------|-------------------|----------------------|-----------------------|---------------------|--------------------------------|
| Structure | 1"(2.5cm) Tweeter | 1.25"(2.8cm) Tweeter | 3.5" (8.89cm) Speaker | 4" (10.1cm) Speaker | 4x6" (10.1cm x 15.2cm) Speaker |
| Max power | 350 Watts | 225 Watts | 150 Watts | 160 Watts | 160 Watts |
| Nominal Power | 75 Watts | 150 Watts | 40 Watts | 55 Watts | 55 Watts |
| Frequency Response | 3.5KHz - 20KHz | 4KHz - 22.5KHz | 50Hz - 20KHz | 45Hz - 20KHz | 40Hz - 20KHz |
| Master Carton | 24 | 50 | 12 | 10 | 12 |

| SPECS | S5.25 | S57 | S65 | S65P |
|--------------------|------------------------|---------------------------------|-----------------------|-----------------------|
| Structure | 5.25" (13.3cm) Speaker | 5x7" (12..7cm x 17.7cm) Speaker | 6.5" (16.5cm) Speaker | 6.5" (16.5cm) Speaker |
| Max power | 275 Watts | 300 Watts | 300 Watts | 350 Watts |
| Nominal Power | 55 Watts | 65 Watts | 65 Watts | 75 Watts |
| Frequency Response | 40Hz - 20KHz | 30Hz - 20KHz | 40Hz - 20KHz | 40Hz - 20KHz |
| Master Carton | 8 | 6 | 6 | 6 |

| SPECS | S69 | S69P |
|--------------------|--------------------------------|--------------------------------|
| Structure | 6x9" (15.2cm x 22.8cm) Speaker | 6x9" (15.2cm x 22.8cm) Speaker |
| Max power | 450 Watts | 600 Watts |
| Nominal Power | 125 Watts | 250 Watts |
| Frequency Response | 35Hz - 21KHz | 35Hz - 21KHz |
| Master Carton | 4 | 4 |



MESH GRILL

S1 60v2

6.5" (16.5cm) DUAL CONE LOUDSPEAKERS

STAMPED STEEL



FEATURES:

- Features:
- Dual Paper Cone
- Stamped Steel Basket
- Ferric Oxide Magnet
- Cloth Surround
- Grill included

| SPECS | S1 60v2 |
|--------------------|---------------------------------|
| Structure | 6.5" (16.5cm) Dual Cone Speaker |
| Max power | 130 Watts |
| Nominal Power | 40 Watts |
| Impedance | 4Ω |
| Sensitivity | 89dB |
| Frequency Response | 70Hz - 18KHz |
| Master Carton | 10 |

130 WATTS
MAX POWER

S1 65Cv2

6.5" (16.5cm) COMPONENT

STAMPED STEEL

FEATURES:

- Heavy Gauge Steel Stamped Basket
- Aluminum Voice Coil
- Butyl Rubber Surround
- TSD Coated Pressed Paper Cone
- Custom Embossed Grill Included

WEETER

- 25mm. PEI Dome Tweeter

CROSSOVER

- 12dB per Octave Passive X-Over Network

| FEATURES | S1 65Cv2 |
|--------------------|-------------------------|
| Structure | 6.5" (16.5cm) Component |
| Max power | 250 Watts |
| Nominal Power | 65 Watts |
| Impedance | 4Ω |
| Sensitivity | 92dB |
| Frequency Response | 40Hz - 20KHz |
| Master Carton | 6 |

250 WATTS



BASS ENHANCERS

WDX BE
DIGITAL BASS ENHANCER

PRODUCT GUIDE



FEATURES:

- Dash Mountable Remote Control
- PFM Subsonic Filter
- Parametric Bass Equalization
- Balanced RCA Inputs
- PWM Power Supply
- Continuously Variable Bass Output Control
- Output Level: up to 13.5 Volt
- Frequency Response: 10Hz - 25KHz
- THD: 0.0015%
- S/N Ratio: <133dB



Remote Bass Control

Master Carton

20

FEATURES:

- Remote Bass Control Included
- Front & Rear High-Pass Crossover - 18dB/Octave, Variable Frequency 35-400Hz, 20x Multiplier Option
- Sub Low-Pass Crossover
- Double Sided PCP Board
- Three Stereo Outputs - 5Vrms
- Output Level : 8 volts max
- Two Stereo Inputs with Parallel Input Option
- Frequency Response : 10Hz - 50KHz - 3dB
- THD : 0.0015%

E7 3X 3-WAY ELECTRONIC CROSSOVER



Remote Bass Control

Master Carton

10

E5 BEv2 BASS ENHANCER



FEATURES:

- Dash Mountable Remote Control
- PFM Subsonic Filter
- Illuminated Controls
- Illuminated Logo
- Parametric Bass Equalization
- Balanced RCA Inputs
- PWM Power Supply
- Continuously Variable Bass Output Control
- Output Level: up to 13.5 Volt
- Frequency Response: 10Hz - 25KHz
- THD: 0.0015%
- S/N Ratio: <133dB



Dash Mountable Remote Control

Master Carton

10

Images displayed are for illustration purposes only and may differ from actual photos

EQUALIZERS

E6 EQ7

7 BAND PARAMETRIC EQUALIZER



FEATURES:

- Active gain Equalizer with adjustable input sensitivity
- Master volume control with up to 7 Volts RMS of output
- Individual left and right sensitivity controls
- Seven band parametric equalizer with 12dB Boost
- Specific bandwidth for each band plus high frequency shelving
- On-board 30V bipolar switching power supply
- Subwoofer level control
- Subwoofer frequency adjustable
- Input CD select switch
- Night Illumination Design



| |
|---------------|
| Master Carton |
| 10 |

SPEQ7

7 BAND GRAPHIC EQUALIZER



FEATURES:

- 7 Band graphic equalizer
- 8 Volt line driver
- Rear panel auxiliary 2 channel RCA inputs with adjustable input gain
- Rear panel Front/Rear/Subwoofer RCA outputs
- Variable volume level control
- Variable subwoofer level control
- Adjustable fader control
- Selectable 12dB Low-pass crossover (60Hz or 90Hz)
- Dual illumination (Amber / Blue)



| |
|---------------|
| Master Carton |
| 10 |

DUAL ILLUMINATION



E7 EQ7

7 BAND EQUALIZER



FEATURES:

- 7-band parametric equalizer with built in subwoofer x-over
- Seven Parametric Equalization Bands (50Hz, 125Hz, 315Hz, 750Hz, 2.2kHz, 6KHz and 16kHz)
- Variable Subwoofer Output with Built-in 18dB per Octave selectable at 60Hz or 90Hz
- Three stereo RCA outputs: front, rear, and subwoofer
- Volume Gain with up to 8 Volts of Output
- Auxiliary stereo RCA input on rear as well as a MP3 input on the front panel
- Variable subwoofer output control
- Master volume
- RCA configuration
- Illuminated Controls



| |
|---------------|
| Master Carton |
| 20 |

EQUALIZERS

SPEQP

4 BAND PARAMETRIC EQUALIZER



FEATURES:

- Four Bands of Adjustable Parametric Stereo Equalization
- Volume Gain with up to 8 Volts of Output
- Variable Subwoofer Output Control
- Main AUX Input Selector
- Left and Right AUX Input Sensitivity Controls
- Gold Plated RCA Input Connectors
- Auxiliary stereo RCA input on rear as well as a MP3 input on the front panel
- Master volume
- RCA configuration
- Illuminated Controls
- Balanced RCA Inputs

8VOLTS
OUTPUT

Master Carton

20

SPEQ

5 BAND EQUALIZER



FEATURES:

- Five Bands of Stereo Equalization: 45Hz, 100Hz, 700Hz, 2kHz, & 15kHz
- Volume Gain with up to 8 Volts of Output
- Variable Subwoofer Output Control with Frequency Bandwidth Adjustment
- Main AUX Input Selector
- Left and Right AUX Input Sensitivity Controls
- Gold Plated RCA Input Connectors

Master Carton

20

SPEQ10BE

5 BAND PARAMETRIC EQUALIZER



FEATURES:

- 5 Band Parametric Equalization
- (Sub-Low-Mid-Mid/High-High)
- Volume Gain with up to 8.5 Volts of Output
- Master Level Control
- Front and Rear Fader Control
- Subwoofer Output Level Control
- Adjustable Input Gains
- Battery Voltage Gauge
- Bass Enhancement Digital
- Processor with Level Control
- Aux RCA Rear Input
- 3.5mm Front Panel Aux Input
- Selectable 60Hz or 80Hz Low Pass Active Crossover
- Blue Illumination

Master Carton

20

NEOCAPACITORS

NEOCAP5

5 FARAD DIGITAL CAPACITOR

FEATURES:

- 12-24 Volts DC
- Low E.S.R.
- Digital DC Volt Meter
- 0/4 Gauge Power Wire Inputs
- 0/4 Gauge Power Wire Outputs
- Increased Dynamic Sound Range of your amplifiers
- Reduces DC Voltage Spikes on your Vehicles
- Compact Size

| |
|---------------|
| Master Carton |
| 8 |

**COMPACT
SIZE**



NEOCAP10

10 FARAD DIGITAL CAPACITOR

FEATURES:

- 12-24 Volts DC
- Low E.S.R.
- Digital DC Volt Meter
- 0/4 Gauge Power Wire Inputs
- 0/4 Gauge Power Wire Outputs
- Increased Dynamic Sound Range of your amplifiers
- Reduces DC Voltage Spikes on your Vehicles
- Compact Size

**COMPACT
SIZE**

9.76in / 24.8cm



| |
|---------------|
| Master Carton |
| 8 |

PROAUDIO TWEETERS

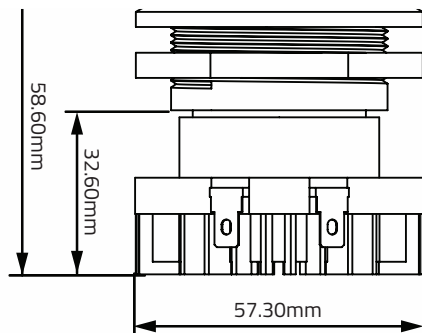
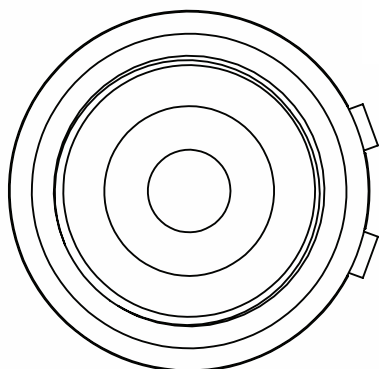
NEW

WDX2NB

1" HIGH OUTPUT PRO AUDIO NEO TWEETER



Dimensions



| SPECS | WDX2NB |
|-----------------|--------------|
| Voice Coil Size | 1" (25.4 mm) |
| Max power | 300 Watts |
| Nominal Power | 150 Watts |
| Impedance | 4Ω |
| Sensitivity | 105 dB |
| Sold As | Pair |
| Master Carton | 12 |

Images displayed are for illustration purposes only and may differ from actual photos

PROAUDIO TWEETERS

WDX1NTW 1.25" HIGH OUTPUT NEO TWEETER

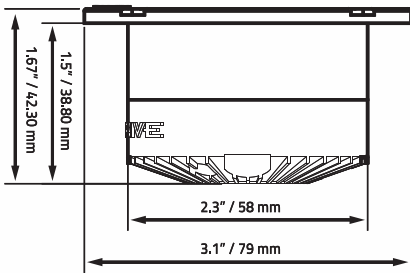
FEATURES:

- 1.25" (31.75mm) Voice Coil
- Diaphragm Material: Titanium
- Neodymium Magnet
- Fully Replaceable Tweeter Diaphragm
- Ultra Shallow Mounting design
- Aluminum Die-cast Waveguide Construction
- Includes 6dB Per Octave Crossover



**SOLD AS
PAIR**

Dimensions



**ULTRA SHALLOW
MOUNT DESIGN**



| SPECS | WDX1NTW |
|-----------------|--------------------|
| Voice Coil Size | 1.25" (31.75 mm) |
| Max power | 300 Watts |
| Nominal Power | 125 Watts |
| Impedance | 4Ω |
| Sensitivity | 104 dB |
| Sold As | Pair |
| Master Carton | 12 |
| WDX1NTW RC | RECONE FOR WDX1NTW |

WDX1.5NTW

1.5" HIGH OUTPUT PRO AUDIO NEO TWEETER

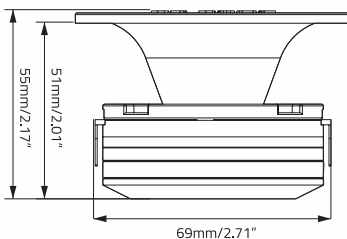
FEATURES:

- 1.5" (38.1mm) Voice Coil
- Phenolic Diaphragm
- Neodymium Magnet
- High Sensitivity
- Fully Replaceable Tweeter Diaphragm
- Aluminum Die-Cast Waveguide Construction
- Designed for Wide Dispersion Applications

**SOLD AS
SINGLE**



Dimensions



| SPECS | WDX1.5NTW |
|-----------------|----------------------|
| Voice Coil Size | 1.5" (38 mm) |
| Max power | 350 Watts |
| Nominal Power | 125 Watts |
| Impedance | 8Ω |
| Sensitivity | 106 dB |
| Sold As | Single |
| Master Carton | 24 |
| WDX1.5NTW RC | RECONE FOR WDX1.5NTW |

Elite
PROAUDIO
TWEETERS

P7TW 3D

350 WATTS
MAX POWER



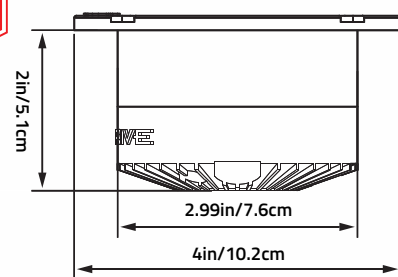
SOLD AS PAIR

| SPECS | P7TW 3D |
|-----------------|-------------|
| Voice Coil Size | 1.5" (38mm) |
| Max power | 350 Watts |
| Nominal Power | 170 Watts |
| Impedance | 4Ω |
| Sensitivity | 103dB |
| Sold As | Pair |
| Master Carton | 12 |

PQ7RC **REPLACEMENT DIAPHRAM**

FEATURES:

- High Efficiency Titanium diaphragm
- Integrated 6db Passive High Pass Crossover
- Fully Replaceable Tweeter Diaphragm
- Dispersion Ready Mesh Protective Grill
- Direct Connect Speaker Terminals
- Die-cast Aluminum Construction
- Shallow 2" (50mm) Mounting Depth
- 1 Pair



INTEGRATED HIGH PASS CROSSOVER

TITANIUM DIAPHRAM

Elite
PROAUDIO
TWEETERS

P9TW 3D

375 WATTS
MAX POWER



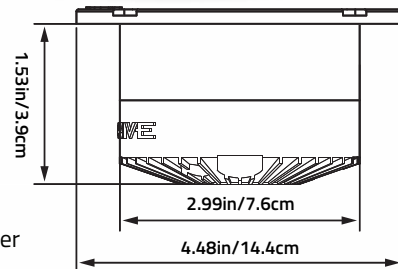
SOLD AS PAIR

| SPECS | P9TW 3D |
|-----------------|-------------|
| Voice Coil Size | 1.5" (38mm) |
| Max power | 375 Watts |
| Nominal Power | 175 Watts |
| Impedance | 4Ω |
| Sensitivity | 104dB |
| Magnet Size | 6 oz. |
| Sold As | Pair |
| Master Carton | 12 |

PQ9RC **REPLACEMENT DIAPHRAM**

FEATURES:

- High Efficiency Titanium diaphragm
- Integrated 6db Passive High Pass Crossover
- Fully Replaceable Tweeter Diaphragm
- Dispersion Ready Mesh Protective Grill
- Direct Connect Speaker Terminals
- Die-cast Aluminum Construction
- Shallow 2" (50mm) Mounting Depth
- 1 Pair



INTEGRATED HIGH PASS CROSSOVER

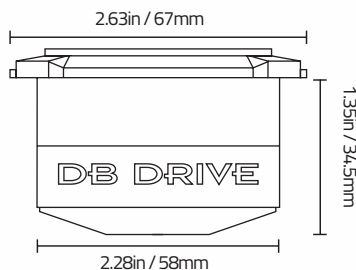
TITANIUM DIAPHRAM

Elite
PROAUDIO
TWEETERS

P7TW 3M

300 WATTS
MAX POWER

Dimensions



**ULTRA SHALLOW
MOUNT DESIGN**



**SOLD AS
PAIR**

Mini

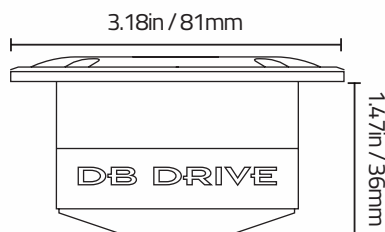
| SPECS | P7TW 3M |
|-----------------|-----------------------------|
| Voice Coil Size | 1.75" (44.45mm) |
| Max power | 300 Watts |
| Nominal Power | 125 Watts |
| Impedance | 4Ω |
| Sensitivity | 105dB |
| Magnet Size | 6 oz. |
| Sold As | Pair |
| Master Carton | 12 |
| P7TW3MRC | REPLACEMENT DIAPHRAM |

Elite
PROAUDIO
TWEETERS

P9TW 3M

320 WATTS
MAX POWER

Dimensions



Dispersion Ready Mesh Protective Grill



**ULTRA SHALLOW
MOUNT DESIGN**

**SOLD AS
PAIR**

Mini

| SPECS | P9TW 3M |
|-----------------|-----------------|
| Voice Coil Size | 1.75" (44.45mm) |
| Max power | 320 Watts |
| Nominal Power | 130 Watts |
| Impedance | 4Ω |
| Sensitivity | 105dB |
| Magnet Size | 6 oz. |
| Sold As | Pair |
| Master Carton | 12 |

SOLD AS SINGLE

Elite
PROAUDIO
TWEETERS



P5TW 1D

SOLD AS PAIR



P5TW 3D

SOLD AS SINGLE



P5TW 4D

DB Drive ProAudio tweeters are extremely efficient high frequency loud speakers. They are highly recommended in audio systems designed for vehicle street parties. Pro Audio tweeters offer controlled high frequency dispersion which is ideal for high volume output. If you like it loud, go Pro Audio.

| SPECS | P5TW 1D | P5TW 3D | P5TW 4D |
|-----------------------------|----------------------|----------------------|-------------------------|
| Voice Coil Size | 1" (25mm) Voice Coil | 1" (25mm) Voice Coil | 1.75" (44mm) Voice Coil |
| Max power | 300 Watts | 300 Watts | 300 Watts |
| Nominal Power | 150 Watts | 150 Watts | 170 Watts |
| Sensitivity | 101 dB | 101 dB | 103 dB |
| Impedance | 4Ω | 4Ω | 4Ω |
| Magnet Size | 8 oz. | 5.4 oz. | 11.6 oz. |
| Sold As | Single | Pair | Single |
| Master Carton | 18 | 12 | 8 |
| REPLACEMENT DIAPHRAM | PQ1RC | | PQ4RC |

Images displayed are for illustration purposes only and may differ from actual photos

Elite
PROAUDIO
TWEETERS

SOLD AS SINGLE



P5TW 5D

SOLD AS PAIR



P5TW 7D

SOLD AS PAIR

**ALUMINUM
DIAPHRAGM**



P5TW 8D

| | REPLACEMENT DIAPHRAM |
|-------|---|
| PQ1RC | P5TW 1D Replacement Diaphragm |
| PQ3RC | P5TW 3D/P5TW 7D/P5TW 8D Replacement Diaphragm |
| PQ4RC | P5TW 1D Replacement Diaphragm |
| PQ5RC | P5TW 1D Replacement Diaphragm |

DB Drive ProAudio tweeters are extremely efficient high frequency loud speakers. They are highly recommended in audio systems designed for vehicle street parties. Pro Audio tweeters offer controlled high frequency dispersion which is ideal for high volume output. If you like it loud, go Pro Audio.

| SPECS | P5TW 5D | P5TW 7D | P5TW 8D |
|-----------------|-------------------------|----------------------|----------------------|
| Voice Coil Size | 1.75" (44mm) Voice Coil | 1" (25mm) Voice Coil | 1" (25mm) Voice Coil |
| Max power | 300 Watts | 350 Watts | 300 Watts |
| Nominal Power | 100 Watts | 150 Watts | 150 Watts |
| Sensitivity | 101 dB | 101 dB | 101 dB |
| Impedance | 4Ω | 4Ω | 4Ω |
| Magnet Size | 11.6 oz. | 5.4 oz. | 5.4 oz. |
| Sold As | Single | Pair | Pair |
| Master Carton | 24 | 12 | 12 |

PROAUDIO

TWEETERS

P5TW8D-ST

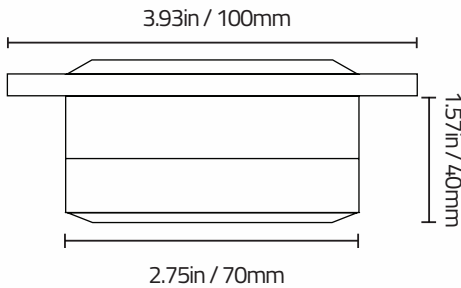
350 WATTS
MAX POWER

**SOLD AS
PAIR**

PRODUCT GUIDE



Dimensions



| SPECS | P5TW8D-ST |
|--------------------|----------------------|
| Voice Coil Size | 1" (25mm) Voice Coil |
| Max power | 350 Watts |
| Nominal Power | 150 Watts |
| Impedance | 4Ω |
| Sensitivity | 103.3dB |
| Frequency Response | 1.8KHz - 20KHz |
| Sold As | Pair |
| Master Carton | 12 |

PROAUDIO

HORN & COMPRESSION DRIVERS

P7CDT1.0

Dimensions

200 WATTS
MAX POWER



PLASTIC HORN



**SOLD AS
PAIR**

FEATURES:

- Bi-radial Horn Tweeter Design
- Extended Frequency Response
 - High Efficiency
- Wide Dispersion Horn Lens

| SPECS | P7CDT1.0 |
|-------------------|-----------------------------|
| Structure | Pro Audio Horn & Driver |
| Max power | 200 Watts |
| Nominal Power | 100 Watts |
| Impedance | 8Ω |
| Sensitivity | 108dB |
| Magnet Size | 10 oz. |
| Master Carton | 6 |
| P7CDT1.0RC | REPLACEMENT DIAPHRAM |

Images displayed are for illustration purposes only and may differ from actual photos

PROAUDIO

HORN & COMPRESSION DRIVERS

PLASTICHORN



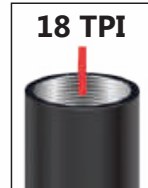
PBRH3



PBRH5



PBRH6



| Dimensions | Width | Length | Height | Master Carton |
|------------|----------------|----------------|---------------|---------------|
| PBRH6 | 6.1in / 155mm | 6.1in / 155mm | 5.9in / 149mm | 12 |
| PBRH5 | 5.98in / 152mm | 5.98in / 152mm | 2.75in / 70mm | 18 |
| PBRH3 | 3.66in / 93mm | 3.66in / 93mm | 2in / 51mm | 40 |

FEATURES:

- Bi-radial Proprietary Horn Design
- Rigid Plastic polymer Wide Dispersion
- Machined Metal Thread Inserts for maximum Strength and reliability
- 1 3/8"(35mm) - 18 TPI Universal fit
 - 1 Piece per box

PROAUDIO

COMPRESSION DRIVERS



* Image of Compression Driver with Horn

Horns Sold Separately

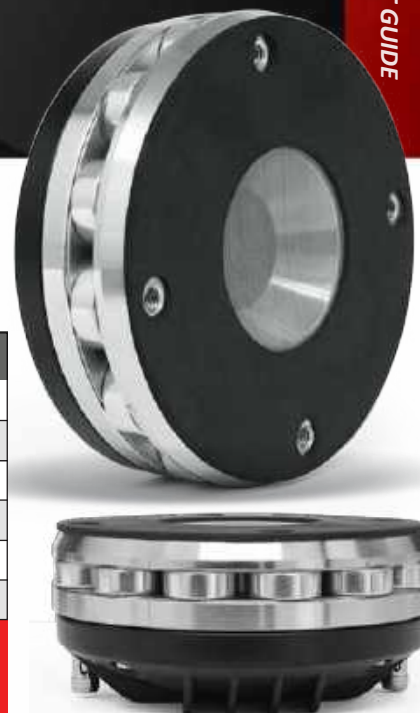


| SPECS | P7CDT1.4 | P7CDT1.75 |
|-----------------------------|--------------------------|-------------------------|
| Voice Coil Size | 1.4" (35.5mm) Voice Coil | 1.75" (44mm) Voice Coil |
| Max power | 300 Watts | 500 Watts |
| Nominal Power | 125 Watts | 150 Watts |
| Impedance | 8Ω | 8Ω |
| Sensitivity | 102dB | 104dB |
| Magnet Size | 16.5 oz. | 22 oz. |
| Master Carton | 12 | 6 |
| REPLACEMENT DIAPHRAM | P7CDT1.4RC | P7CDT1.75RC |

PROAUDIO

FEATURES:

- 3" (75mm) Voice Coil
- 1.4" Exit Throat
- Titanium Diaphragm
- Phenolic Diaphragm (P9TW3NPH)
- High Sensitivity
- Uses 2" 4 Bolt to secure to P9TWSH or P9TWSL Aluminum Waveguide (sold seperately)
- Designed for wide dispersion high frequency applications



| | P9TW2NCD | P9TW3NCD | P9TW3NPH |
|-----------------------------|----------------------|----------------------|----------------------|
| Voice Coil Size | 3" (75mm) Voice Coil | 3" (75mm) Voice Coil | 3" (75mm) Voice Coil |
| Max power | 250 Watts | 350 Watts | 350 Watts |
| Nominal Power | 85 Watts | 100 Watts | 100 Watts |
| Impedance | 8Ω | 8Ω | 8Ω |
| Sensitivity | 112dB | 110dB | 110dB |
| Master Carton | 4 | 4 | 4 |
| REPLACEMENT DIAPHRAM | P9TW2NCD RC | P9TW3NCD RC | P9TW3NPH RC |

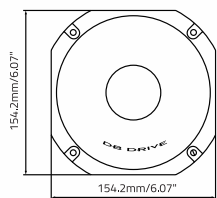
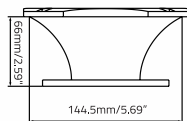
Elite PROAUDIO

Cast Aluminum 45 x 45 | Conical Waveguide Horns

FEATURES:

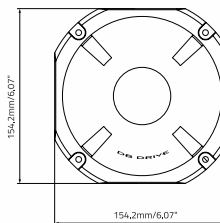
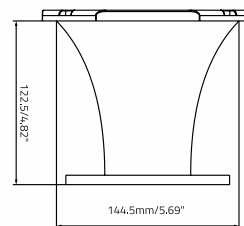
- 2" Cast Aluminum 45 x 45 Conical Waveguide Horn
- 4 Bolt Mounting
- Enhanced for Mid to High Frequency Reproduction

P9TWSH SHORT



ALLUMINIUMHORN

P9TWLH LONG



| SPECS | P9TWLH | P9TWSH |
|--------------------|-------------|-------------|
| Throat Diameter | 2" (50.8mm) | 2" (50.8mm) |
| Frequency Capacity | 600Hz | 800Hz |
| Master Carton | 12 | 12 |

Images displayed are for illustration purposes only and may differ from actual photos

9 SERIES MID-BASS

DIECAST



PRO AUDIO



600 WATTS
MAX POWER



| SPECIFICATIONS | WDX9MB10 | WDX9MB10-8 | WDX9MB12 | WDX9MB12-8 |
|-------------------------------------|------------------------|------------------------|------------------------|------------------------|
| Application | 10" MID - BASS SPEAKER | 10" MID - BASS SPEAKER | 12" MID - BASS SPEAKER | 12" MID - BASS SPEAKER |
| Nominal Basket Size | 10.3" (262 mm) | 10.3" (262 mm) | 12.4" (315 mm) | 12.4" (315 mm) |
| Mounting Depth | 4.3" (109.5 mm) | 4.3" (109.5 mm) | 4.7" (119.5 mm) | 4.7" (119.5 mm) |
| Nominal Impedence | 4Ω | 8Ω | 4Ω | 8Ω |
| RMS Watts | 300 W | 300 W | 400 W | 400 W |
| Music Program Watts | 500 W | 500 W | 600 W | 600 W |
| Voice Coil Diameter | 2.5" / 63.5 mm | 2.5" / 63.5 mm | 2.5" / 63.5 mm | 2.5" / 63.5 mm |
| Cone Material | Paper | Paper | Paper | Paper |
| Cone Edge | Cloth | Cloth | Cloth | Cloth |
| Basket Type | Die Cast | Die Cast | Die Cast | Die Cast |
| Sensitivity @ 1W/1M | 106.1 | 106.1 | 106.1 | 106.1 |
| Resonant Frequency (fs) | 57.1 Hz | 55.7 Hz | 37.7 Hz | 38.8Hz |
| DC resistance (Re) | 3.2 Ω | 5.9 Ω | 3.2 Ω | 5.9 Ω |
| Mechanical Q (QMS) | 13.06 | 6.57 | 8.89 | 4.48 |
| Electromagnetic Q (QES) | 0.39 | 0.47 | 0.28 | 0.35 |
| Total Q (QTS) | 0.38 | 0.43 | 0.27 | 0.32 |
| Compliance Volume (Vas) | 31.2 ltr | 40.0 ltr | 92.6 ltr | 114.1 ltr |
| Mech Compliance of Suspension (CMS) | 0.19 mm/N | 0.24 mm/N | 0.22 mm/N | 0.28 mm/N |
| BL Product (BL) | 11.1 N/A | 12.3 N/A | 14.6 N/A | 15.8 N/A |
| Diaphragm Mass inc. Airload (Mms) | 41.8 grams | 34.4 grams | 79.7 grams | 60.9 grams |
| Recone kit part number | WDX9MB10-RC | WDX9MB10-8RC | WDX9MB12-RC | WDX9MB12-8RC |

8 SERIES NEO MID-RANGE

DIECAST

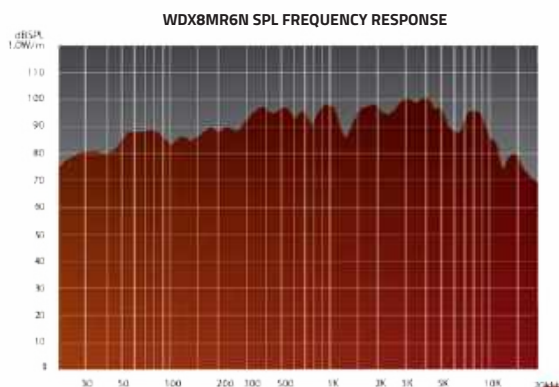
WDX
PRO AUDIO

PRODUCT GUIDE



500 WATTS
MAX POWER

| SPECIFICATIONS | WDX8MR6N |
|-------------------------------------|--------------------------|
| Application | 6.5" MID - RANGE SPEAKER |
| Nominal Basket Size | 6.5" (164.50 mm) |
| Mounting Depth | 2.5" (64.10 mm) |
| Nominal Impedence | 4Ω |
| RMS Watts | 250 W |
| Music Program Watts | 500 W |
| Voice Coil Diameter | 2.5" / 63.5 mm |
| Cone Material | Paper |
| Cone Edge | Cloth |
| Basket Type | Die Cast |
| Sensitivity @ 1W/1M | 92.2 |
| Resonant Frequency (fs) | 65.2 Hz |
| DC resistance (Re) | 3.2 |
| Mechanical Q (QMS) | 7.43 |
| Electromagnetic Q (QES) | 0.38 |
| Total Q (QTS) | 0.37 |
| Compliance Volume (Vas) | 15.0 ltr |
| Mech Compliance of Suspension (CMS) | 0.61 mm/N |
| BL Product (BL) | 5.8 N/A |
| Diaphragm Mass inc. Airload (Mms) | 9.8 grams |
| Recone kit part number | WDX8MR6N-RC |



Images displayed are for illustration purposes only and may differ from actual photos



PRO AUDIO

8 SERIES MID-BASS

STAMPED STEEL



| SPECIFICATIONS | WDX8MB6 | WDX8MB6-8 | WDX8MB8 | WDX8MB8-8 |
|-------------------------------------|-------------------|-------------------|----------------|----------------|
| Application | 6.5" MID - BASS | 6.5" MID - BASS | 8" MID - BASS | 8" MID - BASS |
| Nominal Basket Size | 6.59" (167.40 mm) | 6.59" (167.40 mm) | 8.2" (209 mm) | 8.2" (209 mm) |
| Mounting Depth | 2.57" (65.40 mm) | 2.57" (65.40 mm) | 3.18" (81 mm) | 3.18" (81 mm) |
| Nominal Impedence | 4Ω | 8Ω | 4Ω | 8Ω |
| RMS Watts | 250 W | 250 W | 300 W | 300 W |
| Music Program Watts | 400W | 400W | 500W | 500W |
| Voice Coil Diameter | 1.5" / 38.1 mm | 1.5" / 38.1 mm | 1.5" / 38.1 mm | 1.5" / 38.1 mm |
| Cone Material | Paper | Paper | Paper | Paper |
| Cone Edge | Cloth | Cloth | Cloth | Cloth |
| Basket Type | Stamped Steel | Stamped Steel | Stamped Steel | Stamped Steel |
| Sensitivity @ 1W/1M | 99.2 | 99.2 | 99.7 | 99.7 |
| Resonant Frequency (fs) | 99.3 Hz | 92.7 Hz | 70.2 Hz | 71.8 Hz |
| DC resistance (Re) | 3.2 Ω | 5.8 Ω | 3.2 Ω | 5.8 Ω |
| Mechanical Q (QMS) | 10 | 4.98 | 10.54 | 5.14 |
| Electromagnetic Q (QES) | 0.54 | 0.54 | 0.36 | 0.41 |
| Total Q (QTS) | 0.51 | 0.49 | 0.35 | 0.38 |
| Compliance Volume (Vas) | 3.9 ltr | 5.1 ltr | 14.7 ltr | 16.6 ltr |
| Mech Compliance of Suspension (CMS) | 0.15 mm/N | 0.19 mm/N | 0.20 mm/N | 0.23mm/N |
| BL Product (BL) | 8.0 N/A | 9.7 N/A | 9.9 N/A | 11.6 N/A |
| Diaphragm Mass inc. Airload (Mms) | 17.2 grams | 15.3 grams | 25.2 grams | 21.3 grams |
| Recone kit part number | WDX8MB6-RC | WDX8MB6-8RC | WDX8MB8-RC | WDX8MB8-8RC |



| FEATURES | WDX7MR6 | WDX7MR6-8 | WDX7MR8 | WDX7MR8-8 | WDX7MR10 | WDX7MR10-8 |
|-------------------------------------|------------------|------------------|------------------|------------------|-----------------|-----------------|
| Application | 6.5" MID - RANGE | 6.5" MID - RANGE | 8" MID - RANGE | 8" MID - RANGE | 10" MID - RANGE | 10" MID - RANGE |
| Nominal Basket Size | 6.59" (167.4 mm) | 6.59" (167.4 mm) | 8.22" (209 mm) | 8.22" (209 mm) | 10" (256 mm) | 10" (256 mm) |
| Mounting Depth | 2.27" (57.8 mm) | 2.27" (57.8 mm) | 3.05" (77.60 mm) | 3.05" (77.60 mm) | 3.8" (97 mm) | 3.8" (97 mm) |
| Nominal Impedence | 4Ω | 8Ω | 4Ω | 8Ω | 4Ω | 8Ω |
| RMS Watts | 200 W | 200 W | 250 W | 250 W | 300 W | 300 W |
| Music Program Watts | 325 W | 325 W | 375 W | 375 W | 400 W | 400 W |
| Voice Coil Diameter | 1.5" / 38.1 mm | 1.5" / 38.1 mm | 1.5" / 38.1 mm | 1.5" / 38.1 mm | 2" / 50.8 mm | 2" / 50.8 mm |
| Cone Material | Paper | Paper | Paper | Paper | Paper | Paper |
| Cone Edge | Cloth | Cloth | Cloth | Cloth | Cloth | Cloth |
| Basket Type | Stamped Steel | Stamped Steel | Stamped Steel | Stamped Steel | Stamped Steel | Stamped Steel |
| Sensitivity @ 1W/1M | 97.2 | 90.8 | 98.2 | 98.2 | 101.3 | 101.3 |
| Resonant Frequency (fs) | 78.3 Hz | 90.8 Hz | 68.6Hz | 71.1Hz | 63.1 Hz | 52.9 Hz |
| DC resistance (Re) | 3.2 Ω | 5.8 Ω | 3.2 Ω | 5.8 Ω | 3.2 Ω | 5.8Ω |
| Mechanical Q (QMS) | 8.85 | 4.96 | 10.15 | 5.48 | 12.67 | 2.02 |
| Electromagnetic Q (QES) | 0.76 | 0.78 | 0.57 | 0.59 | 0.56 | 0.39 |
| Total Q (QTS) | 0.70 | 0.67 | 0.54 | 0.53 | 0.54 | 0.33 |
| Compliance Volume (Vas) | 8.4 ltr | 8.4 ltr | 18.2 ltr | 19.2 ltr | 31.8 ltr | 39.7 ltr |
| Mech Compliance of Suspension (CMS) | 0.32 mm/N | 0.32 mm/N | 0.24 mm/N | 0.25 mm/N | 0.17 mm/N | 0.22 mm/N |
| BL Product (BL) | 5.2 N/A | 6.4 N/A | 7.4 N/A | 9.3 N/A | 9.1 N/A | 14.4 N/A |
| Diaphragm Mass inc. Airload (Mms) | 12.9 grams | 9.5 grams | 22.4 grams | 19.7 grams | 36.9 grams | 42.0 grams |
| Recone kit part number | WDX7MR6-RC | WDX7MR6-8RC | WDX7MR8-RC | WDX7MR8-8RC | WDX7MR10-RC | WDX7MR10-8RC |

Images displayed are for illustration purposes only and may differ from actual photos

Elite PROAUDIO

P6M Series STAMPED STEEL



FEATURES:

- Voice Coil CCAW
 - KSV Coil
- Ferrite Magnet
- Stamped Steel Basket
 - Paper Cone
 - Cloth Edge Cone



| SPECIFICATIONS | P6M10 MB | P6M10MB-8 | P6M12 MB | P6M12MB-8 |
|-------------------------------------|------------------|------------------|------------------|------------------|
| Application | 10" MID - BASS | 10" MID - BASS | 12" MID - BASS | 12" MID - BASS |
| Nominal Basket Size | 10.11" (267 mm) | 10.11" (267 mm) | 12.24" (311 mm) | 12.24" (311 mm) |
| Mounting Depth | 4.2" (107.00 mm) | 4.2" (107.00 mm) | 4.8" (122.00 mm) | 4.8" (122.00 mm) |
| Nominal Impedence | 4Ω | 8Ω | 4Ω | 8Ω |
| RMS Watts | 350W | 350W | 400 W | 400 W |
| Music Program Watts | 700W | 700W | 800 W | 800 W |
| Voice Coil Diameter | 2.5" / 63.5 mm | 2.5" / 63.5 mm | 2.5" / 63.5 mm | 2.5" / 63.5 mm |
| Cone Material | Paper | Paper | Paper | Paper |
| Cone Edge | Cloth | Cloth | Cloth | Cloth |
| Basket Type | Stamped Steel | Stamped Steel | Stamped Steel | Stamped Steel |
| Sensitivity @ 1W/1M | 94.6 dB | 94.6 dB | 94.8 dB | 94.8 dB |
| Resonant Frequency (fs) | 69.8 Hz | 56 Hz | 59.7 Hz | 47.8 Hz |
| DC resistance (Re) | 3.2 Ω | 5.8 Ω | 3.2 Ω | 5.8 Ω |
| Mechanical Q (QMS) | 7.57 | 10.27 | 8.23 | 10.61 |
| Electromagnetic Q (QES) | 0.47 | 0.41 | 0.57 | 0.50 |
| Total Q (QTS) | 0.44 | 0.39 | 0.53 | 0.48 |
| Compliance Volume (Vas) | 26.1 ltr | 48.5 ltr | 53.1 Ltr | 122 Ltr |
| Mech Compliance of Suspension (CMS) | 0.16 mm/N | 0.29 mm/N | 0.13 mm/N | 0.31 mm/N |
| BL Product (BL) | 10.0 N/A | 11.8 N/A | 10.6 N/A | 11.2N/A |
| Diaphragm Mass inc. Airload (Mms) | 33.5 grams | 28 grams | 52.7 grams | 35.7 grams |
| Recone kit part number | P6M10MB RC | P6M10MB-8RC | P6M12MB RC | P6M12MB-8RC |

P5M6NEO

6.5" NEO MID-RANGE

STAMPED STEEL

PROAUDIO

MID-RANGE

PRODUCT GUIDE



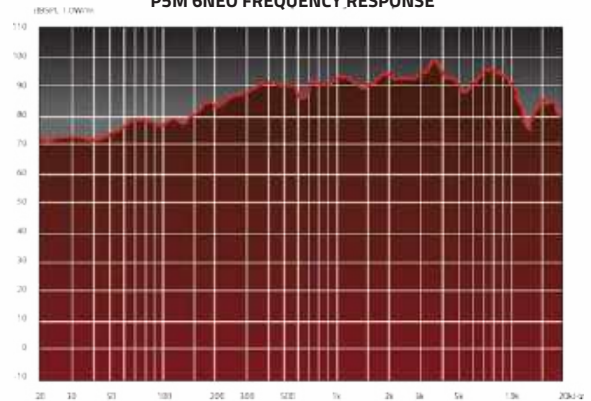
| SPECS | P5M 6NEO |
|-------------------------------------|----------------|
| Application | 6.5" MID-RANGE |
| Nominal Basket Size | 6.57" (167 mm) |
| Mounting Depth | 2.24" (57 mm) |
| Nominal Impedance | 4Ω |
| RMS Watts | 150 W |
| Music Program Watts | 400 W |
| Voice Coil Diameter | 1.5" / 38.1 mm |
| Cone Material | Paper |
| Cone Edge | Cloth |
| Basket Type | Stamped Steel |
| Sensitivity @ 1W/1M | 95.6 dB |
| Resonant Frequency (fs) | 125.5 Hz |
| DC resistance (Re) | 3.2 Ω |
| Mechanical Q (QMS) | 7.02 |
| Electromagnetic Q (QES) | 0.38 |
| Total Q (QTS) | 036 |
| Compliance Volume (Vas) | 4.5 ltr |
| Mech Compliance of Suspension (CMS) | 0.18 mm/N |
| BL Product (BL) | 7.8 N/A |
| Diaphragm Mass inc. Airload (Mms) | 9.1 Grams |



FEATURES:

- Voice Coil Copper Wire
 - Polyimide Coil
- Neodymium Magnet
- Stamped Steel Basket
 - Paper Cone
 - Cloth Edge Cone

P5M 6NEO FREQUENCY RESPONSE



Images displayed are for illustration purposes only and may differ from actual photos

P5M8NEO

8" NEO MID-RANGE

STAMPED STEEL

PROAUDIO

MID-RANGE



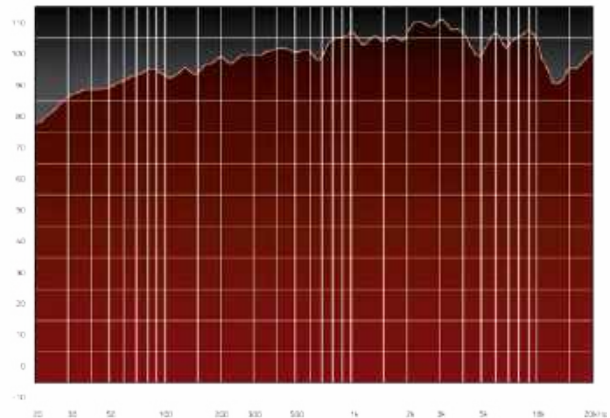
| SPECS | P5M 8NEO |
|-------------------------------------|----------------|
| Application | 8" MID-RANGE |
| Nominal Basket Size | 8.23" (209 mm) |
| Mounting Depth | 2.36" (60 mm) |
| Nominal Impedence | 4Ω |
| RMS Watts | 150 W |
| Music Program Watts | 450 W |
| Voice Coil Diameter | 1.5" / 38.1 mm |
| Cone Material | Paper |
| Cone Edge | Cloth |
| Basket Type | Stamped Steel |
| Sensitivity @ 1W/1M | 101 dB |
| Resonant Frequency (fs) | 112.0 Hz |
| DC resistance (Re) | 3.2 Ω |
| Mechanical Q (QMS) | 9.29 |
| Electromagnetic Q (QES) | 0.56 |
| Total Q (QTS) | 0.53 |
| Compliance Volume (Vas) | 8.6 ltr |
| Mech Compliance of Suspension (CMS) | 0.13 mm/N |
| BL Product (BL) | 7.8 N/A |
| Diaphragm Mass inc. Airlod (Mms) | 15.1 Grams |



FEATURES:

- Voice Coil Copper Wire
- Polyimide Coil
- Neodymium Magnet
- Stamped Steel Basket
- Paper Cone
- Cloth Edge Cone

P5M 8NEO FREQUENCY RESPONSE



PROAUDIO

MID-RANGE

P4M SERIES

STAMPED STEEL

SOLD AS SINGLE

PRODUCT GUIDE

FEATURES:

- High Efficiency ProAudio Mid-Range
- Shallow Mount Application
- Cloth Edge Surround
- 1.5" (38mm) High Temperature Voice Coil
- Steel Stamped Basket
- Barium Ferrite Magnet



MESH GRILL INCLUDED

| SPECS | P4M 6C | P4M 8C |
|---------------|-----------------------|---------------------|
| Size | 6.5" (16.5cm) Pro Mid | 8" (20.3cm) Pro Mid |
| Max power | 275 Watts | 325 Watts |
| Nominal Power | 150 Watts | 200 Watts |
| Impedance | 4Ω | 4Ω |
| Sensitivity | 92.2 dB | 97.9 dB |
| Magnet | Barium Ferrite | Barium Ferrite |
| Sold As | Single | Single |
| Master Carton | 6 | 6 |

PROAUDIO

MID-RANGE

DIECAST

SOLD AS SINGLE



MESH GRILL INCLUDED



SHALLOW MOUNT DESIGN



| SPECS | P3M 6C | P3M 8C |
|---------------|-----------------------|--------------------|
| Size | 6.5" (16.5cm) Pro Mid | 8"(20.3cm) Pro Mid |
| Max power | 225 Watts | 275 Watts |
| Nominal Power | 135 Watts | 135 Watts |
| Impedance | 8Ω | 8Ω |
| Sensitivity | 105 dB | 106 dB |
| Magnet | Barium Ferrite | Barium Ferrite |
| Sold As | Single | Single |
| Master Carton | 8 | 6 |

DIECAST

DIECAST

STAMPED STEEL



P3M SERIES

FEATURES:

- High Efficiency Pro Audio Mid-Range
 - Shallow Mount Application
 - Cloth Edge Surround
- 1.5" (38mm) High Temperature Voice Coil
 - Die Cast Aluminum Basket
 - Barium Ferrite Magnet

Images displayed are for illustration purposes only and may differ from actual photos

PROAUDIO

MID-RANGE

SOLD AS SINGLE



P4MSB SERIES



FEATURES:

- Sealed Back Loudspeaker
 - 4 ohms
 - 1.0" (25mm) Voice Coil
- High Efficiency Paper Cone
- Integrated protective grill

SEALED BACK LOUDSPEAKER



| | P4M 4SB | P4M 6SB | P4M 8SB |
|---------------|-------------------------------------|---------------------------------------|-------------------------------------|
| Size | 4" (10.1cm) Sealed Back Loudspeaker | 6.5" (16.5cm) Sealed Back Loudspeaker | 8" (20.3cm) Sealed Back Loudspeaker |
| Max power | 250 Watts | 275 Watts | 325 Watts |
| Nominal Power | 100 Watts | 150 Watts | 200 Watts |
| Impedance | 4Ω | 4Ω | 4Ω |
| Sensitivity | 95 dB | 94 dB | 94 dB |
| Magnet | Barium Ferrite | Barium Ferrite | Barium Ferrite |
| Sold As | Single | Single | Single |
| Master Carton | 20 | 6 | 6 |

PROAUDIO

MID-RANGE

SOLD AS PAIR

MESH GRILL INCLUDED

PRODUCT GUIDE

P2MB6PR4

STAMPED STEEL

FEATURES:

- High Efficiency ProAudio Mid-Range
- Shallow Mount Application
- Tri - Ribbed Cloth Surround
- 1.5" (38mm) High Temperature Voice Coil
- Steel Stamped Basket
- Barium Ferrite Magnet

225 WATTS
MAX POWER



| SPECS | P2MB 6PR4 |
|--------------------|----------------------|
| Structure | 6.5" (165mm) Pro Mid |
| Max power | 225 Watts |
| Nominal Power | 125 Watts |
| Impedance | 4Ω |
| Sensitivity | 99.4dB |
| Resonant Frequency | 151Hz |
| Sold As | Pair |
| Master Carton | 6 |



Elite PROAUDIO

MID-RANGE

MESH GRILL INCLUDED

SOLD AS PAIR

P2MB6PR8

STAMPED STEEL

FEATURES:

- High Efficiency ProAudio Mid-Range
- Shallow Mount Application
- Tri - Ribbed Cloth Surround
- 1.5" (38mm) High Temperature Voice Coil
- Steel Stamped Basket
- Barium Ferrite Magnet

225 WATTS
MAX POWER



| SPECS | P2MB 6PR8 |
|--------------------|----------------------|
| Structure | 6.5" (165mm) Pro Mid |
| Max power | 225 Watts |
| Nominal Power | 125 Watts |
| Impedance | 8Ω |
| Sensitivity | 99.4dB |
| Resonant Frequency | 151Hz |
| Sold As | Pair |
| Master Carton | 6 |



Images displayed are for illustration purposes only and may differ from actual photos

PROAUDIO

COMPONENT

500 WATTS
MAX POWER

P76K

STAMPED STEEL



2 MIDS
2 TWEETERS
2 CROSSOVERS

**SOLD AS
KIT**

FEATURES:

- High Efficiency ProAudio Mid-Range
- Shallow Mount Application
- Cloth Edge Surround
- 1.5" (38mm) High Temperature Voice Coil
- Steel Stamped Basket
- 1" (25mm) Aluminum Pro Audio Tweeter
- 12dB per Octave Passive X-Over Network



**MESH
GRILL**
INCLUDED



| SPECS | P7 6K |
|---------------|-----------------------------|
| Structure | 6.5" (16.5cm) Pro Component |
| Max power | 500 Watts |
| Nominal Power | 200 Watts |
| Impedance | 8Ω |
| Sensitivity | 104dB |
| Magnet | Barium Ferrite |
| Sold As | Kit |
| Master Carton | 2 |

PROAUDIO

COMPONENT

2 MIDS
2 TWEETERS
2 CROSSOVERS

SOLD AS
KIT

PRODUCT GUIDE

275 WATTS
MAX POWER

SHALLOW
MOUNT DESIGN

P36K

DIECAST

FEATURES:

- High Efficiency ProAudio Mid-Range
- Shallow Mount Application
- Cloth Edge Surround
- 1.5" (38mm) High Temperature Voice Coil
- Die Cast Aluminum Basket
- 1" (25mm) Aluminum Pro Audio Tweeter
- 12dB per Octave Passive X-Over Network



MESH
GRILL
INCLUDED



| SPECS | P3 6K |
|---------------|-----------------------------|
| Structure | 6.5" (16.5cm) Pro Component |
| Max power | 275 Watts |
| Nominal Power | 175 Watts |
| Impedance | 8Ω |
| Sensitivity | 105dB |
| Magnet | Barium Ferrite |
| Sold As | Kit |
| Master Carton | 2 |

Images displayed are for illustration purposes only and may differ from actual photos

PROAUDIO

COMPONENT

2 MIDS
2 TWEETERS
2 CROSSOVERS

SOLD AS
KIT



300 WATTS
MAX POWER



SHALLOW
MOUNT DESIGN

P38K

DIECAST

FEATURES:

- High Efficiency ProAudio Mid-Range
 - Shallow Mount Application
 - Cloth Edge Surround
- 1.5" (38mm) High Temperature Voice Coil
 - Die Cast Aluminum Basket
- 1" (25mm) Aluminum Pro Audio Tweeter
- 12dB per Octave Passive X-Over Network



| SPECS | P3 8K |
|---------------|---------------------------|
| Structure | 8" (20.3cm) Pro Component |
| Max power | 300 Watts |
| Nominal Power | 175 Watts |
| Impedance | 8Ω |
| Sensitivity | 106dB |
| Magnet | Barium Ferrite |
| Sold As | Kit |
| Master Carton | 2 |



P34M6K

DIECAST

Elite
PROAUDIO
COMPONENT

PRODUCT GUIDE

**SOLD AS
KIT**

4 MIDS
2 TWEETERS
2 CROSSOVERS



FEATURES:

- Ultra High Efficiency Pro Audio 6.5" Component
- Anti-Resonance Die Cast Aluminum Basket
- Shallow Mount Application
- Paper cone with Cloth Edge Accordion Surround
- Custom Embossed Protective Grill
- 1" (25mm) Aluminum Dome Pro Tweeter
- 12db Passive X-Over network

**SHALLOW
MOUNT DESIGN**



500 WATTS
MAX POWER



| SPECS | P3 4M6K |
|--------------------|----------------------------|
| Structure | 6.5" (165mm) Pro Component |
| Max power | 500 Watts |
| Nominal Power | 250 Watts |
| Impedance | 4Ω |
| Sensitivity | 105dB |
| Frequency Response | +/- 3dB 78Hz - 22KHz |
| Sold As | Kit |
| Master Carton | 4 |



**MESH
GRILL**
INCLUDED

Images displayed are for illustration purposes only and may differ from actual photos

PROAUDIO

COMPONENT



500 WATTS
MAX POWER

SOLD AS KIT
4 MIDS
2 TWEETERS

PRO6K4M

STAMPED STEEL

FEATURES:

- High Efficiency
- Paper Cone
- Bi- Ribbed Cloth Surround
- Frequency Response
Range 155Hz – 18,000Hz
- 6 db High Pass Capacitors
Included for Tweeters



| SPECS | PRO 6K4M |
|---------------|------------------------------|
| Structure | 6.5" (16.5cm) Dual Component |
| Max power | 500 Watts |
| Nominal Power | 225 Watts |
| Impedance | 4Ω |
| Sensitivity | 99.3dB |
| Magnet | Barium Ferrite |
| Sold As | Kit |
| Master Carton | 2 |

MESH GRILL
INCLUDED



PROAUDIO

COMPONENT

PRODUCT GUIDE



250 WATTS
MAX POWER

PRO6K

STAMPED STEEL

FEATURES:

- High Efficiency
- Paper Cone
- Bi- Ribbed Cloth Surround
- Frequency Response Range 155Hz – 18,000Hz
- 6 db High Pass Capacitors Included for Tweeters



| SPECS | PRO 6K |
|---------------|------------------------------|
| Structure | 6.5" (16.5cm) Dual Component |
| Max power | 250 Watts |
| Nominal Power | 150 Watts |
| Impedance | 4Ω |
| Sensitivity | 103.3dB |
| Magnet | Barium Ferrite |
| Sold As | Kit |
| Master Carton | 2 |



Images displayed are for illustration purposes only and may differ from actual photos

PROAUDIO

COMPONENT

PRO6K4MT

STAMPED STEEL

FEATURES:

- High Efficiency
- Paper Cone
- Bi- Ribbed Cloth Surround
- Steel Stamped Basket
- Barium Ferrite Magnet
- 1" Aluminum Pro Audio Tweeters



500 WATTS
MAX POWER

**SOLD AS
KIT**

**4 MIDS
4 TWEETERS**



PROAUDIO

COMPONENT



| SPECS | PRO 6K4MT |
|--------------------|------------------------------|
| Structure | 6.5" (16.5cm) Dual Component |
| Max power | 500 Watts |
| Nominal Power | 225 Watts |
| Sensitivity | 99.3dB |
| Frequency Response | 155Hz - 18KHz |
| Impedance | 4Ω |
| Resonant Frequency | 151Hz |
| Master Carton | 2 |



WWW.DBDRIVE.NET

Drive it Louder!



302 Hanmore Industrial Parkway/Harlingen, TX 78550

Toll Free: (877) 787-0101 Fax: (956) 421-4513

contact us at: sales@dbdrive.net

Tech Support: support@dbdrive.net

Printed in China

DCAT23A

