



WDX™

LIMITED WARRANTY

DB Drive™ warrants any products purchased in the U.S.A. from an authorized DB Drive™ dealer. All products are warranted to be free from defects in material and workmanship under normal use and service for a period of one (1) year when the unit is installed by an authorized DB Drive™ dealer. Non-authorized dealer installed products carry a one (1) year parts and labor limited warranty. This warranty applies to the original purchase only.

DB Drive™ will either repair or replace (as a option) any unit that has been found to be defective and under warranty provided the defect occurs within: One (1) year, if purchased through an authorized DB Drive™ dealer with the original proof of purchase.

This limited warranty periods do not extend to the units having been subjected to misuse, abuse, neglect, or accident. Products that in DB Drive™ judgment shows evidence of having been altered, modified, or serviced without DB Drive™ authorization, will be ineligible under this warranty.

To obtain warranty services please contact your retailer or visit our website at www.dbdrive.net for more details.



DB Research L.L.P. • 302 Hanmore Industrial Parkway • Harlingen, TX 78550
Ph: (877) 787-0101 • Tech Support: support@dbdrive.net

Designed and Engineered in the U.S.A.



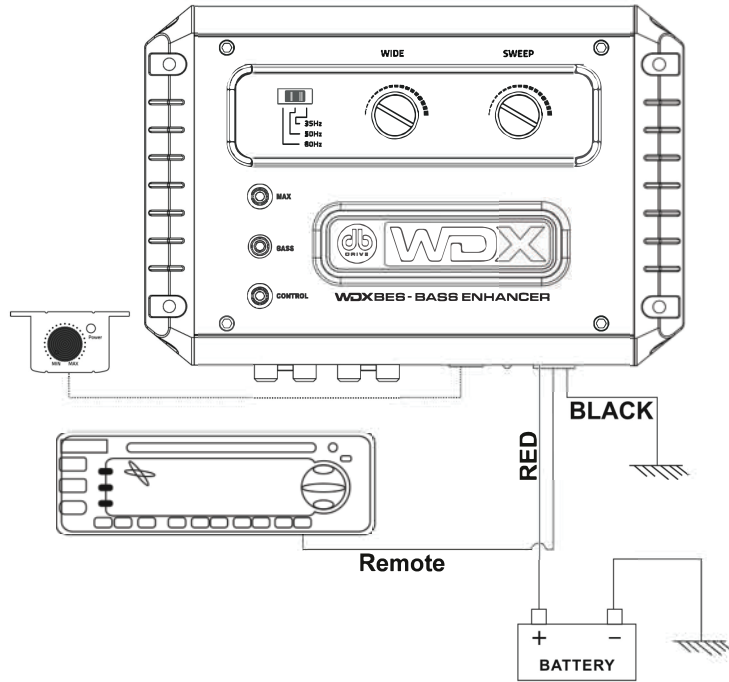
WDX™

WDXBE6 DIGITAL BASS ENHANCER



Installation Instructions / Owner's Manual

Electronic Connections and Wiring



Power Connections

- 1) B+ (12V) - Connect a RED wire to the car battery or other power source.
- 2) Remote - Connect wire to remote activation (12V DC) wire of car stereo or equalizer.
- 3) GND - Connect wire to the car chassis for ground connection.

Introduction

Congratulations on purchasing the WDXBE6, you are now the proud owner of the finest and most accurate bass enhancing & restoration system available. Whether your interest is in hard hitting kick drums in classic rock or the bass guitar notes in country music, the WDXBE6 will restore the long-lost bass notes, with amazing accuracy and clarity.

Features

Bass Driver - The WDXBE6 contains a Bass Driver that accurately recreates and injects low-frequency information back into the signal path. What that means is that you will get more bass impact even when listening to older compact discs or tapes.

Bass Equalization Circuit - The WDXBE6 has a unique circuit that contours the restored bass to your speaker system.

Dash Mount Remote Control - The WDXBE6 comes with a dash mountable remote control that allows you to enjoy the effects of the WDXBE6 without having to leave the driver's seat. The dash mount control has a LED indicator; this LED will glow brighter as you add more bass or dimmer when you decrease it.

Bass Maximizer Indicator - Located on the Chassis, the three LED Lights let you know when the bass maximization circuit is activated.

PFM Subsonic Filter Switch - This unique feature is legendary with its ability to fine tune the bass response of any system. Why waste power on subsonic information when the PFM Subsonic Filter Switch can help you clean things up?

Bass Output Control - The WDXBE6 has the ability to produce large amounts of deep, mind shattering bass without damaging your speaker. The Bass Output Control circuit allows the WDXBE6 to maximize the bass output of any auto sound audio system while restraining destructive burst.

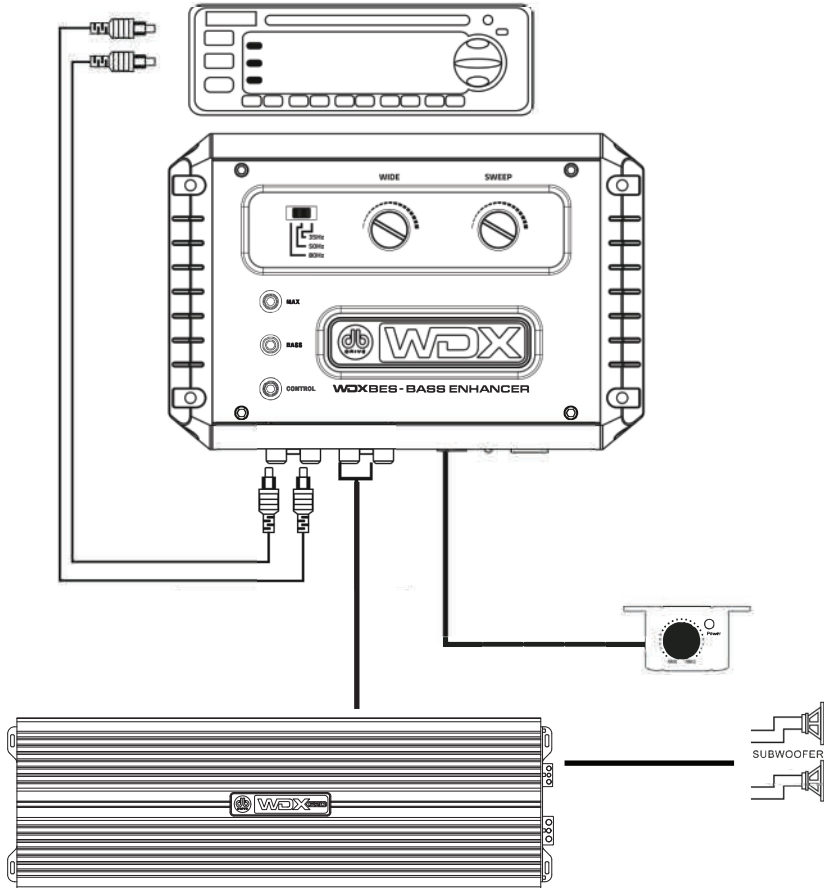
Specifications

Maximum Input Level	15V RMS
Maximum Output Level	13.5V peak
Frequency Response	10 Hz - 100 Hz: +/- 1dB
Total Harmonic Distortion	0.003%
Signal to Noise Ratio	130dB
Balanced Input Noise Rejection	>60dB
Input Impedance	10K Ohms
Output Impedance	150 Ohms
Power Supply	High Headroom PWM
Power Draw	150 mA
Recommended Fuse Rating	1 Amp
Dimensions	7.7 x 5.1 x 1.5 in

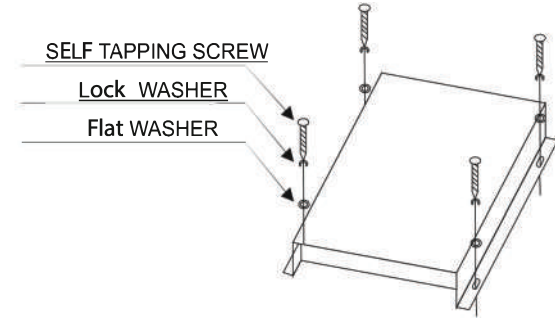
Signal Connection

For signal connection, the output RCA connectors should be connected to the next component of the WDXBE6, such as a crossover, equalizer, or amplifier.

Remember: the WDXBE6 should do inline before a crossover



Installation



Adjusting the Parametric -Bass Controls

The Bass response in a system is affected by 4 factors:

- 1) The acoustics of the vehicle
- 2) The location of the subwoofer
- 3) The subwoofer size and enclosure
- 4) The type of music

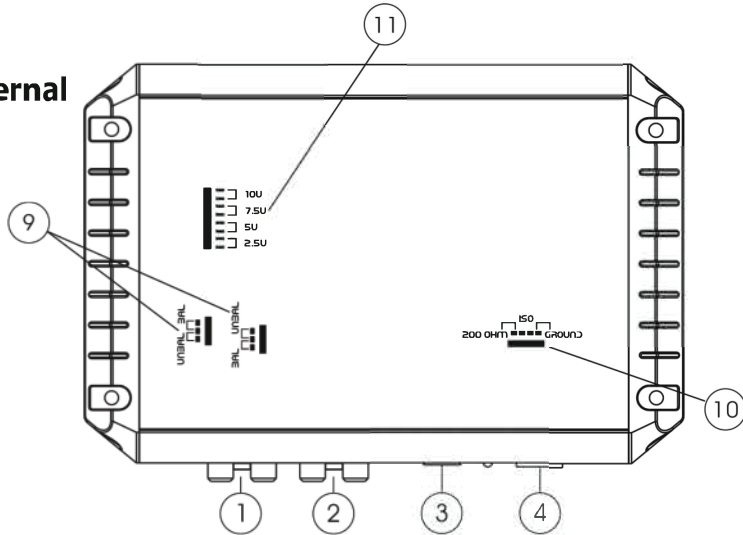
Because of the variations in the recording process, we developed WDXBE6 to help restore any low frequencies lost during the recording process; however, the acoustics of various environments are different. The **Sweep Control** allows you to select the center frequency (The frequency most affected) between 35 - 80 HZ. The **Wide Control** then allows you to adjust the shape of the filter centered on the **Sweep** frequency.

Setting the Bass Output Control

The WDXBE6 is a powerful bass processor. This device is equipped with several output voltage selections, if you should need to change the settings, please use the chart below for guidance as a recommended list to the factory settings before changing your bass output settings.

Setting	Amplifier Input Voltage	Min. Speaker Size
2.5 Volts	3.0 Volts or less	8"
5.0 Volts	5.0 Volts or less	10"
7.5 Volts	7.5 Volts or less	15"
10 Volts	10 Volts	15"

• Internal



Detail operations as below:

- 9) Input Grounding - For most systems, you can leave this jumper set as **Balanced**, but sometimes the source unit may look for a ground through the RCA connectors; in this event, you should change the jumper to **Unbalanced**.
- 10) Ground Isolation Jumpers - Occasionally alternator whine may appear in a system because the source unit and amplifier may use different grounding. To help in this situation, we have provided alternate grounding connections.

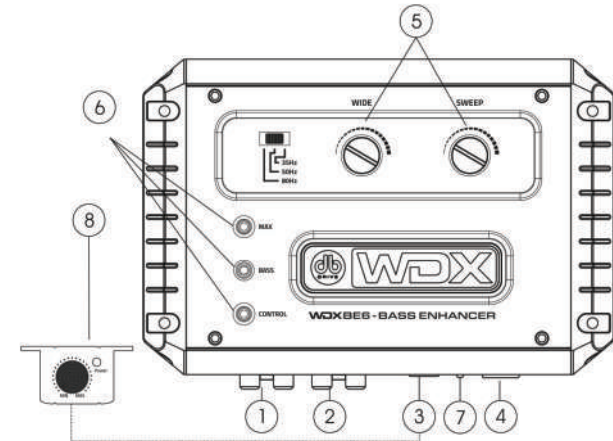
WARNING: Make sure your system is OFF before moving these jumpers.
- 11) Bass Output Control Jumpers - Not all systems are designed the same, some systems are designed strictly for SPL (Sound Pressure Level) while others are more tame. The Bass Maximizer circuit can either increase or decrease the signal voltage of the Bass Restoration Circuit. Depending on your system, you may opt to adjust these jumpers to maximize your bass output and protect your speakers.

In most cases the factory settings will be fine.
We recommend you try the factory settings first.

Functions

For signal connection, the output RCA connectors should be connected to the next component after the Bass Enhancer, such as a crossover, equalizer, or amplifier.

Remember: the Bass Enhancer should do inline before a crossover.



- 1) Inputs - The inputs of the WDXBE6 use a balanced input to help minimize induced noise. They are also designed to handle very high signal voltage, up to 15 volts.
- 2) Outputs - These RCA connectors should be connected to the next component after the WDXBE6 as a crossover, equalizer, or amplifier. Just remember, the WDXBE6 should go in line before the crossover.
- 3) Dash Remote Control.
- 4) Power Connector.
- 5) Para-Bass Controls - These 2 knobs control the Bass functions of the WDXBE6. The **Sweep** knob allows you to pick the center frequency that you want the WDXBE6 bass restoration circuit to maximize. The **Wide** knob adjusts how wide of a frequency range the WDXBE6 will effect.
- 6) Bass Maximize Indicators - The 3 LED indicators flash when the circuit is activated.
- 7) Power ON LED.
- 8) Dash Subsonic Control - This knob controls the subsonic frequency from 35 - 80 Hz.