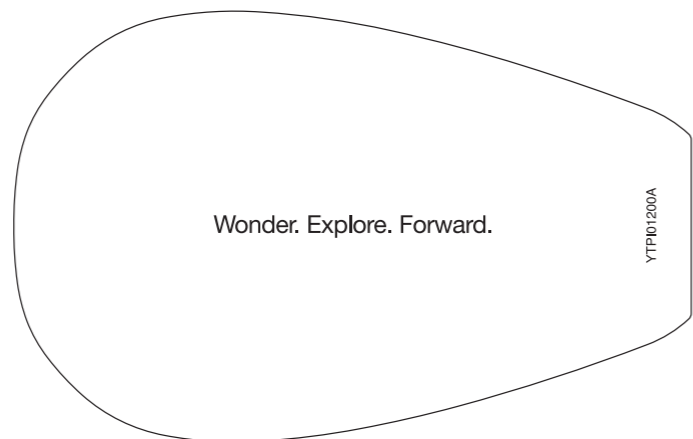
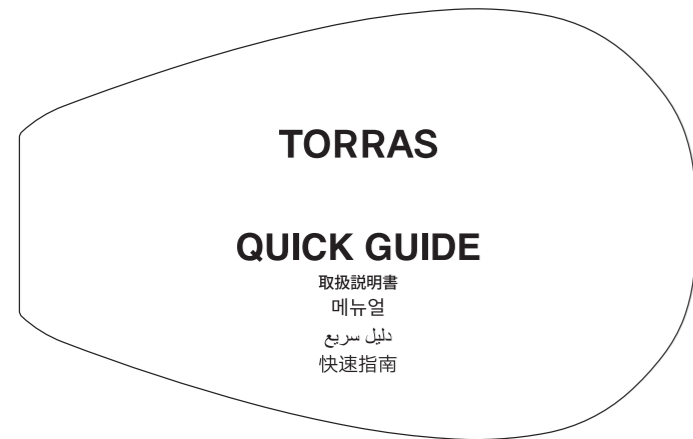
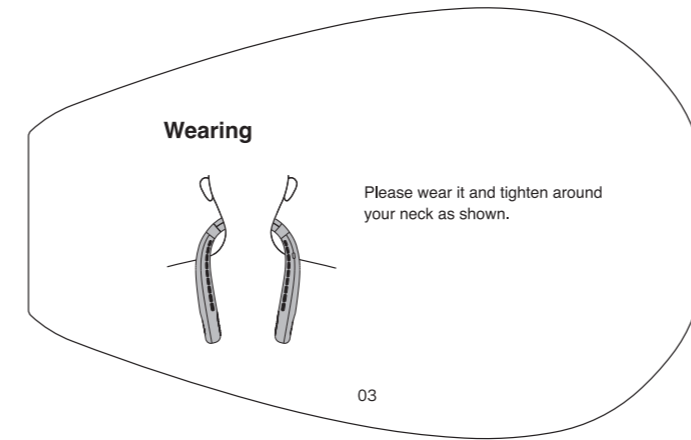
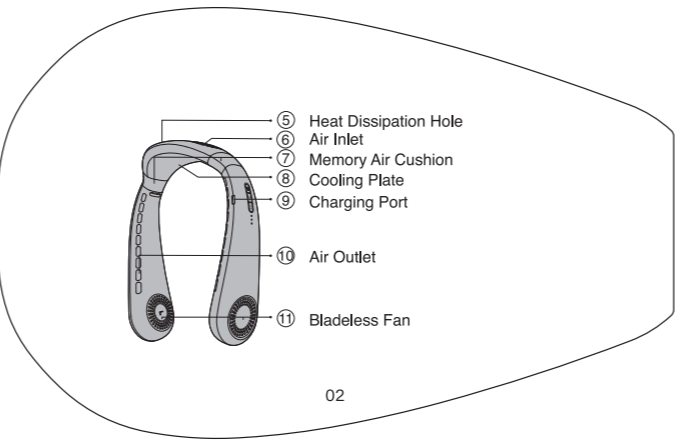
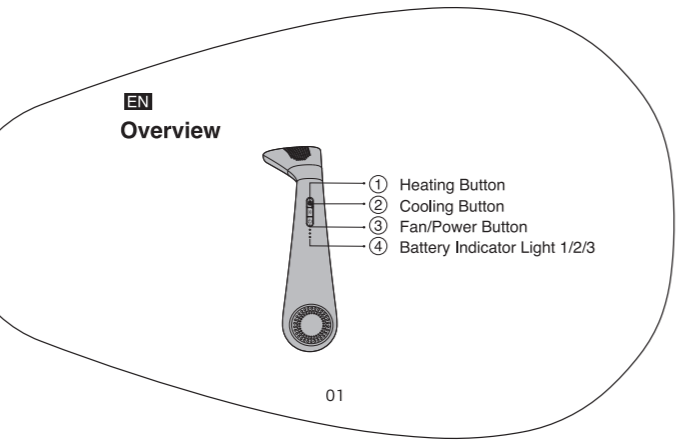


封面

封底

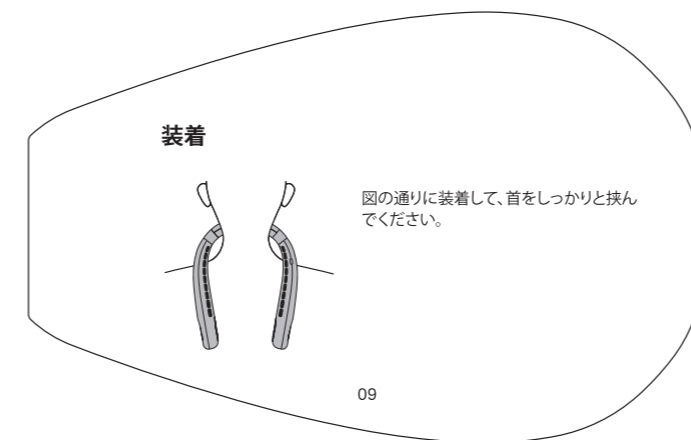
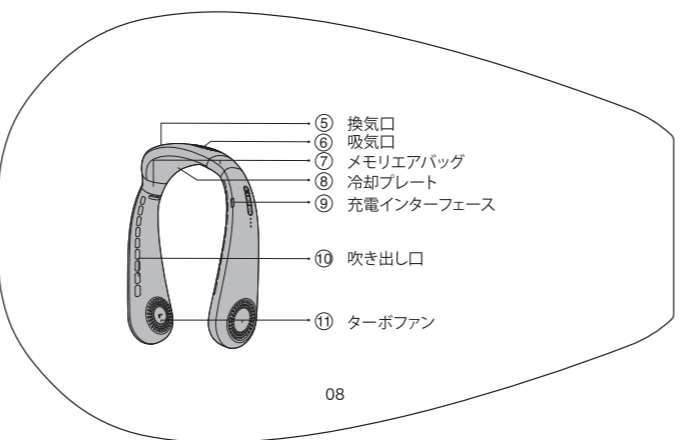
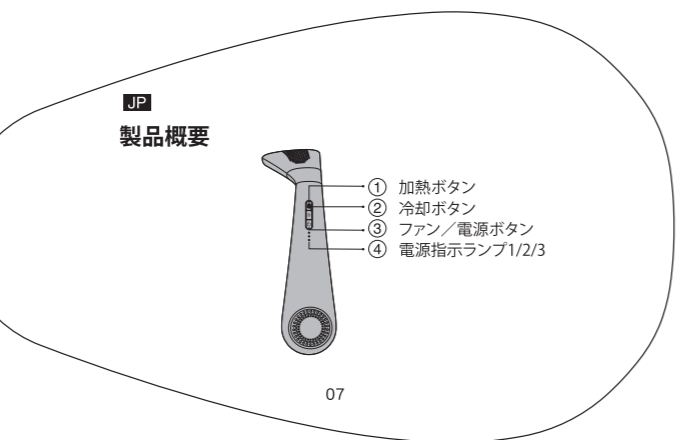
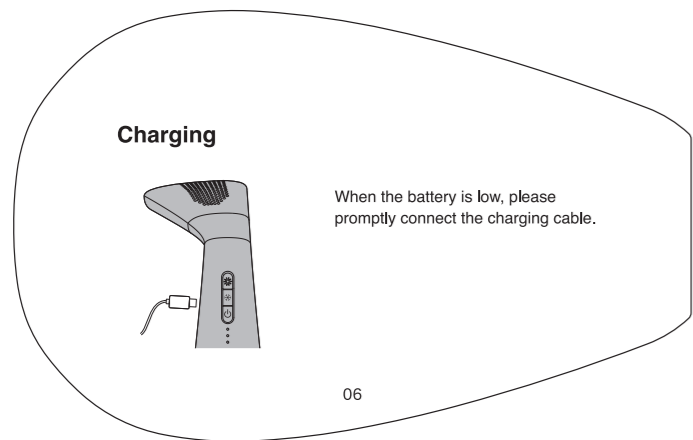


Contents / コンテンツ / 目錄 / 목차 / المحتويات. Overview 01, Wearing 03, Button Operations 04, Charging 06, 製品概要 07, 充電 09, 充電 12, 概要 13, 仕様 15, 버튼 조작 16, 충전 18, نظرة عامة 19, عمليات الأزرار 22, يتم الشحن 23, 製品概要 24, 充電 26, 充電 27, 仕様 29.



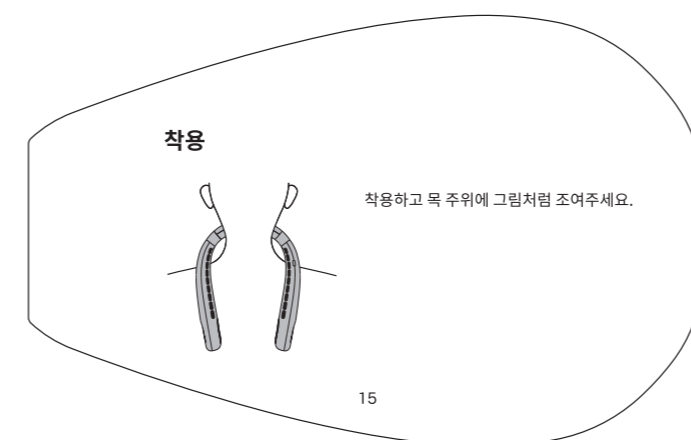
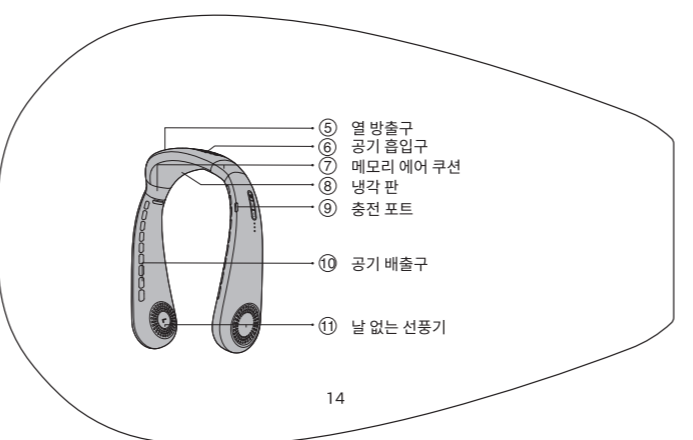
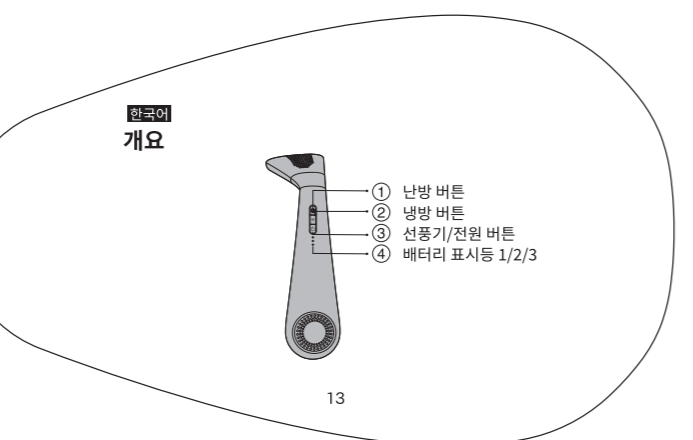
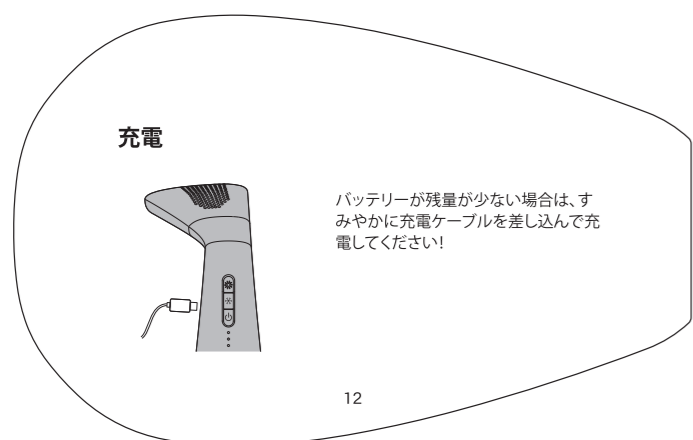
Button Operations. Short Press Fan/Power Button, Switch to Cooling Mode Level 1, Switch to Fan mode Level 2 - Level 3 - Power Off - Level 1, Long-press Fan/Power Button for 2 seconds, Power Off, Short Press Cooling Button, Switch to Cooling Mode Level 1 - Level 2 - Level 3 - Power Off, Short Press Heating Button, Switch to Heating Mode Level 1 - Level 2 - Level 3 - Power Off.

Table with 2 columns: Light color and Mode. Green Light: Fan Mode, Blue Light: Cooling Mode, Orange Light: Heating Mode.



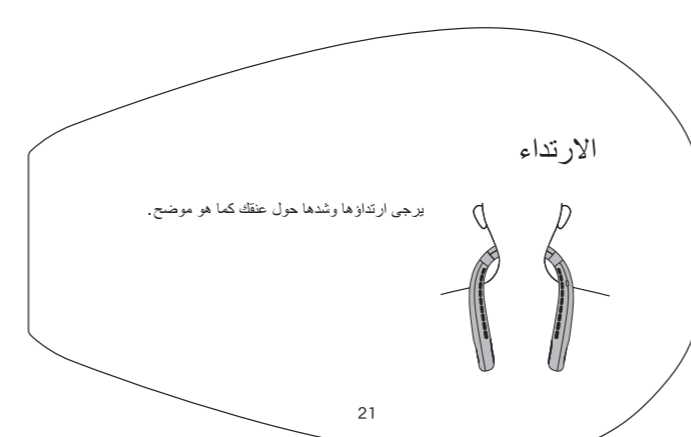
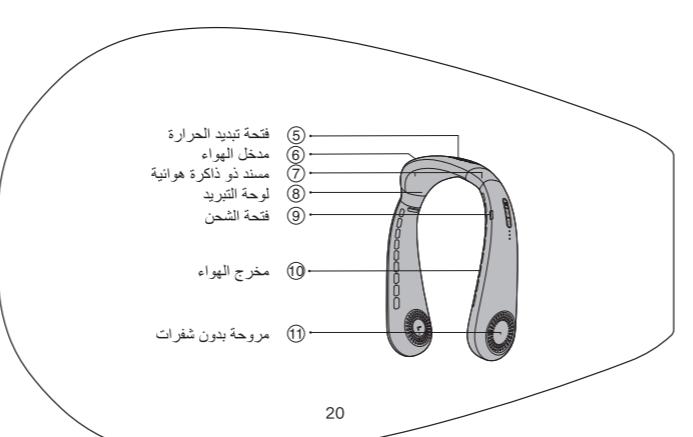
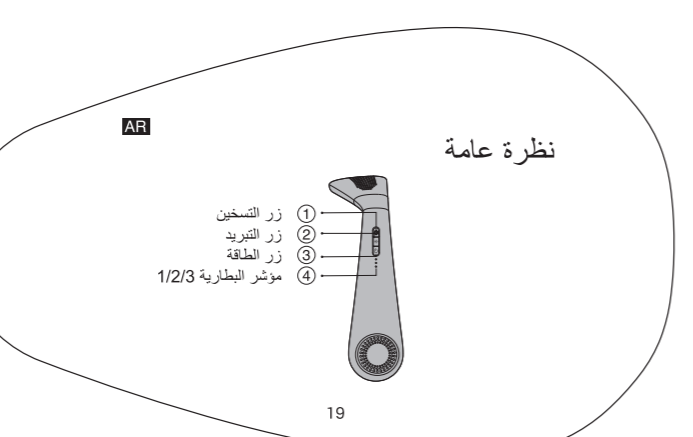
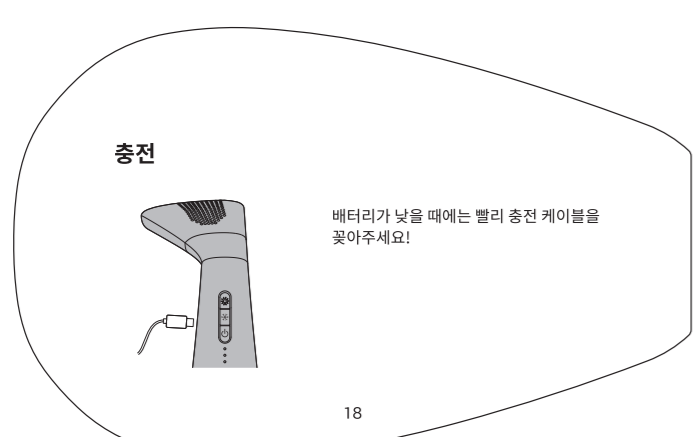
ボタン説明 (Button Description). ファン/電源ボタンを押すと (Press Fan/Power button), Short Press Cooling Button, Short Press Heating Button.

Table with 2 columns: Light color and Mode. Green light: Fan Mode, Blue light: Cooling Mode, Orange light: Heating Mode.



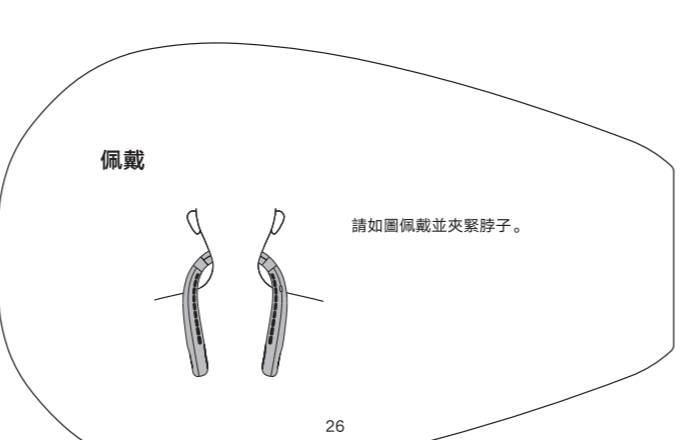
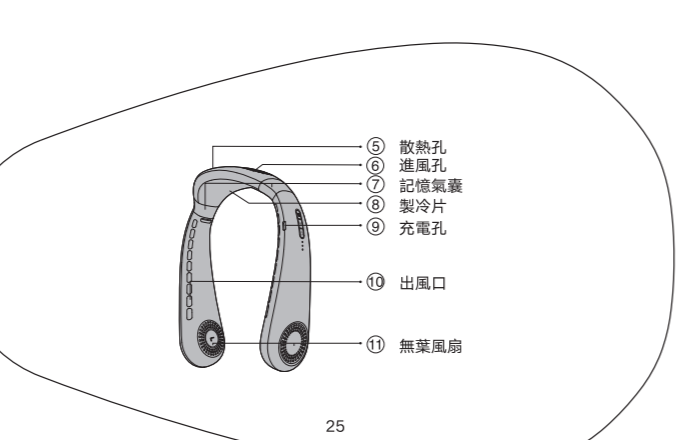
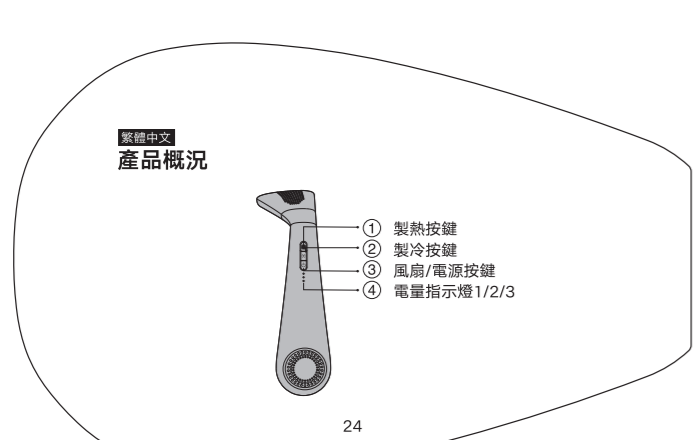
버튼 조작 (Button Operation). 선통기/전원 버튼 짧게 누르기 (Short press fan/power button), 선통기/전원 버튼 길게 누르기 (Long press fan/power button).

Table with 2 columns: Light color and Mode. Green: 선통 모드 (Fan mode), Blue: 냉방 모드 (Cooling mode), Orange: 난방 모드 (Heating mode).



عمليات الأزرار (Button Operations). اضغط لمدة قصيرة على زر الطاقة (Short press power button), اضغط لمدة قصيرة على زر التبريد (Short press cooling button).

Table with 2 columns: Light color and Mode. Green: وضع التبريد (Cooling mode), Blue: وضع التسخين (Heating mode).



按键操作 (Button Operation). 单击风扇/电源按键 (Short press fan/power button), 单击制冷按键 (Short press cooling button), 单击加热按键 (Short press heating button).

Table with 2 columns: Light color and Mode. Green: 风扇模式 (Fan mode), Blue: 制冷模式 (Cooling mode), Orange: 加热模式 (Heating mode).

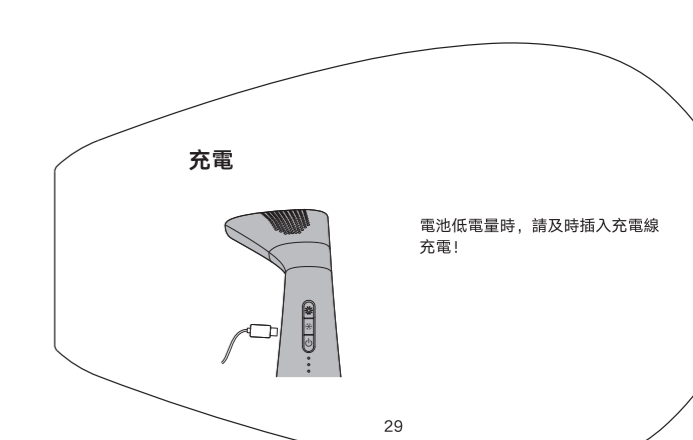


Table with 4 columns: Material (银禾祥合100克本白双胶纸), Unit (mm), Printing color (K), and Surface finish (单黑双面印刷, etc.). Includes a section for '平面部分' (Flat parts) with details on design and date.

特别说明：所有物料需要符合蓝禾《有害物质限用管理程序》LH-WI-0004（环保要求）