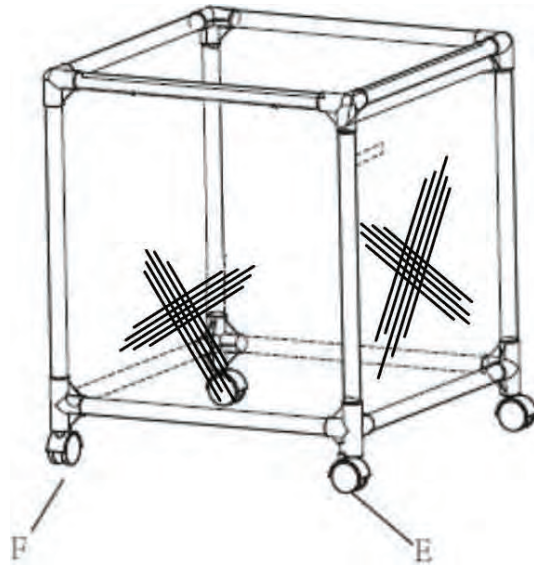


#5 Attach Wheels (E) and (F) to the 4-Way Connectors. Store the unit in the storage bag (G) when not used.



PoolBins

Small Rolling Pool Storage Organizer Bin

USER MANUAL: Style# PB-S100



**SCAN FOR VIDEOS AND SUPPORT:
POOLBINS.COM/PB-S100**

For any questions or concerns, we are here to help. Please contact us by email at contact@poolbins.com or by phone: 718-251-0096



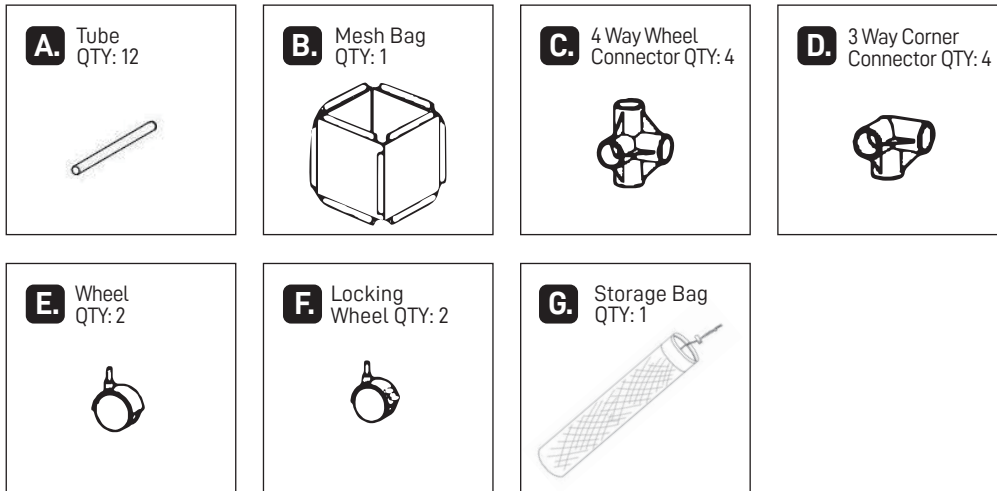
PoolBins



Scan this QR Code!
Product Registration and Support
POOLBINS.COM/PB-S100

contact@poolbins.com or by phone at 718-251-0096

Getting Started: Parts List

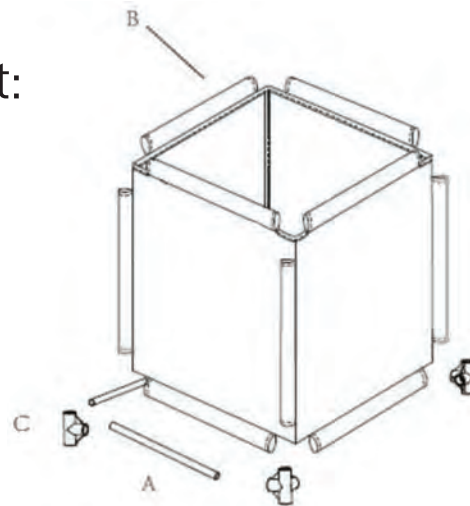


Scan for Assembly Video or
Request Replacement Parts
POOLBINS.COM/PB-S100

For any questions or concerns, we are here to help. Please contact us by email at contact@poolbins.com or by phone: 718-251-0096

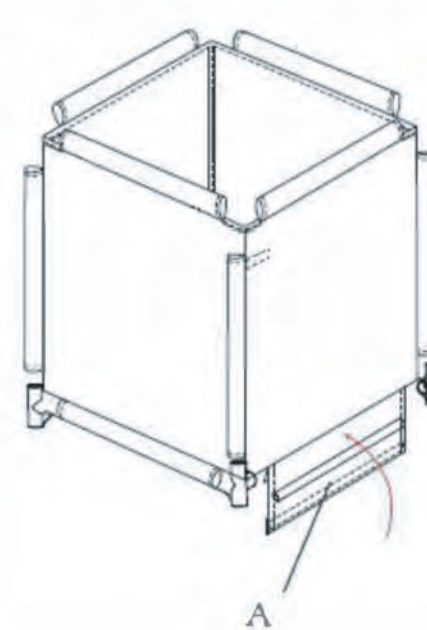
Assembling the Product:

- #1** Insert Tube (A) into three of the lower sleeves of Mesh Bag (B). Connect them with 4-way Wheel Connectors (C) in the corners.

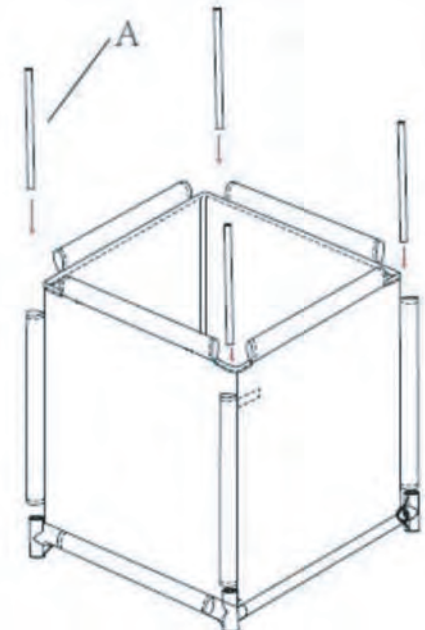


PoolBins

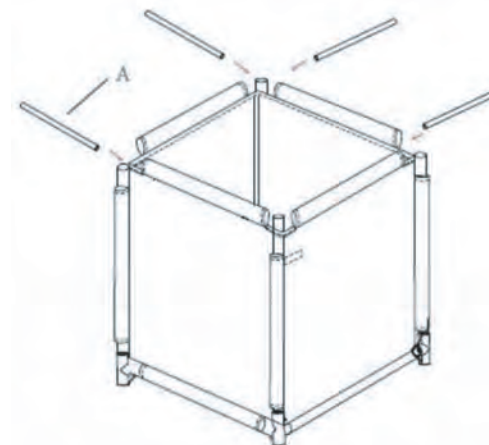
- #2** Notice one of the sleeves is secured by hook & loop material. Open the sleeve to install the fourth tube.



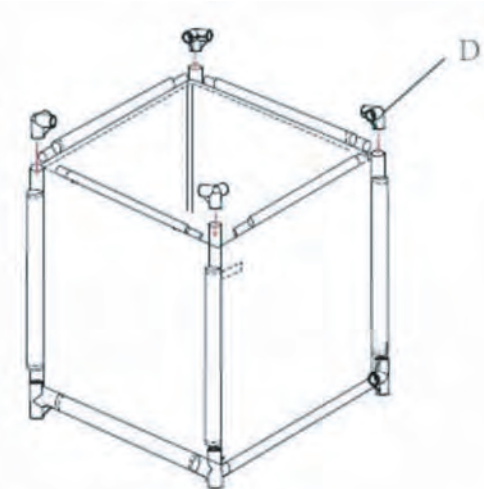
- #3** Insert Tubes (A) through the corner sleeves of Mesh Bag (B) and into the 4-Way Connectors.



- #4** Insert Tubes (A) through the upper sleeves of Mesh Bag (B)



- #5** Use 3-Way Corner Connectors (D) to attach the top Tubes and corner Tubes.



PoolBins