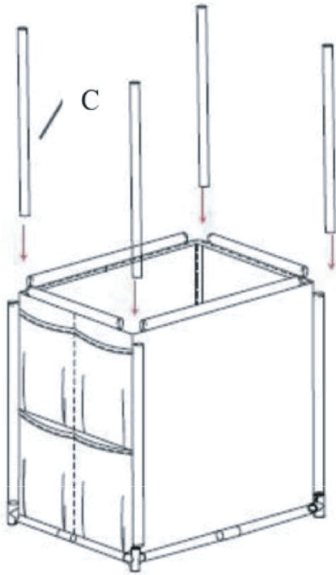
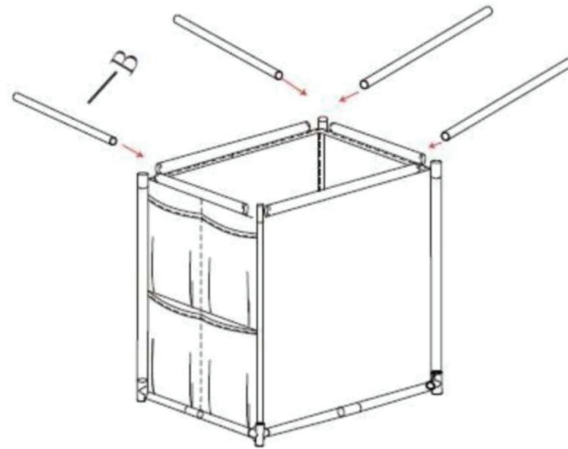


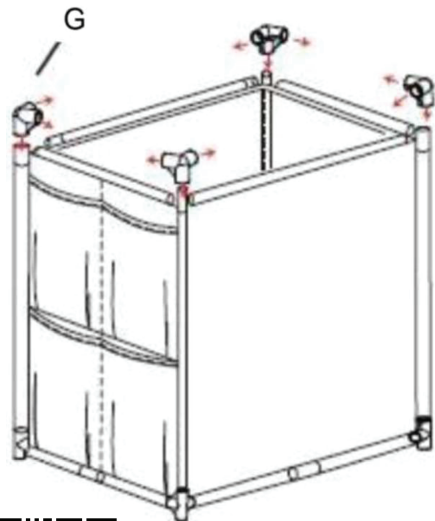
#5 Insert the long tubes (C) through the corner sleeves of the mesh bag and into the 4-way corner wheel connectors (F).



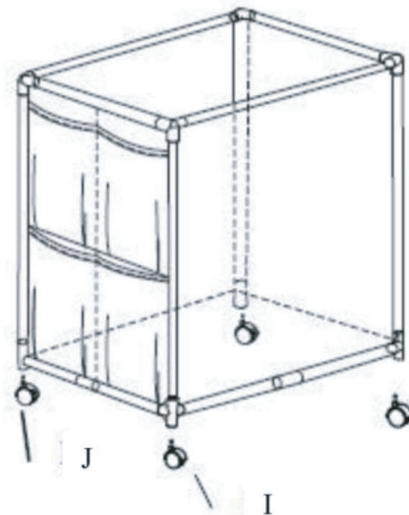
#6 Insert the medium tubes (B) through the top sleeves of the Mesh Bag.



#7 Use 3-way corner connectors (G) to connect all tubes at the top corners.



#8 Attach wheels (I) and (J). Store the unit in the storage bag (K) when not used.



Scan this QR Code!
Product Registration and Support
POOLBINS.COM/PB-M200

PoolBins

contact@poolbins.com or by phone at 718-251-0096

PoolBins




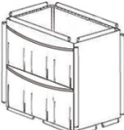



Large Rolling Pool Noodle Storage Organizer

USER MANUAL: Style# PB-M200



Scan this QR Code!
Product Registration and Support
POOLBINS.COM/PB-M200

Getting Started: Parts List

A. Short Tube 11" QTY: 12 	B. Medium Tube 24" QTY: 4 	C. Long Tube 35" QTY: 4 	D. Mesh Bag QTY: 1 
E. 3 Way Side Connector QTY: 4 	F. 4 Way Corner Wheel Connector QTY: 4 	G. 3 Way Corner Connector QTY: 4 	H. 4 Way Flat Connector QTY: 1 
I. Wheel QTY: 2 	J. Locking Wheel QTY: 2 	K. Storage Bag QTY: 1 	



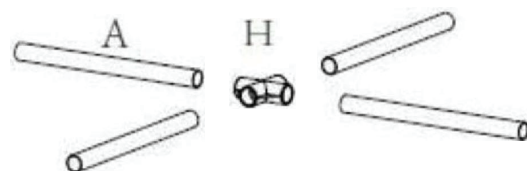
Scan for Assembly Video or Request Replacement Parts

POOLBINS.COM/PB-M200

For any questions or concerns, we are here to help. Please contact us by email at contact@poolbins.com or by phone: 718-251-0096

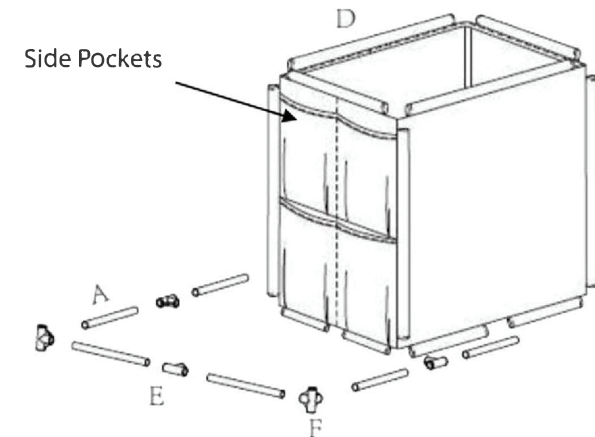
Assembling the Product:

#1 Connect Short Tubes (A) to the 4-Way Flat Connector (H)



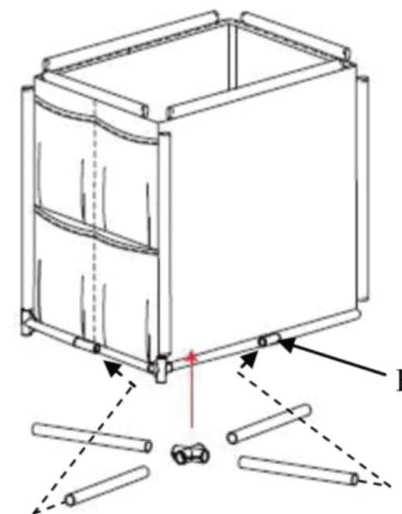
#2

Insert 2 short tubes (A) into bottom sleeves of three of the sides of the mesh bag (D). Connect tubes with a 3-way side connector (E) in middle of the sides and 4-Way corner wheel connector (F) in the corners.



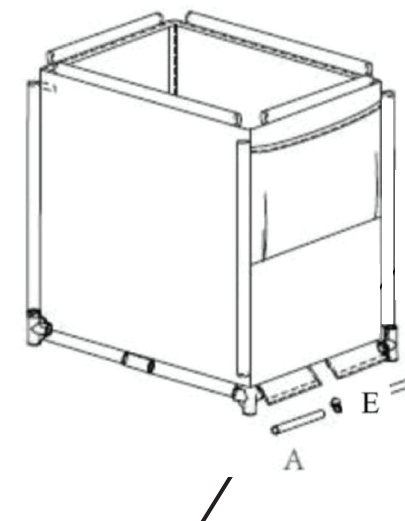
#3

Attach the tubes from step 1 to the 3-way side connectors (E) from step 2.



#4

Note the sleeves on the fourth side are secured by hook & loop material. Open the sleeves and insert two short tubes (A) and connect them with a 3-way side connector (E) in middle. Connect the tubes to the two 4-way corner wheel connectors (F) and close the sleeves.



These sleeves can open to easily install the tubes.