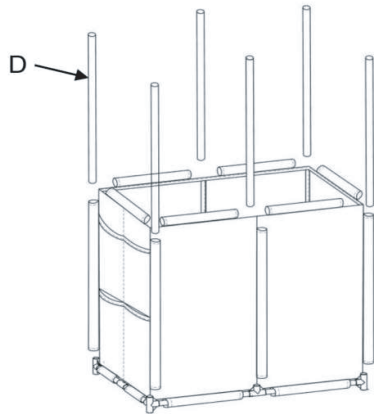
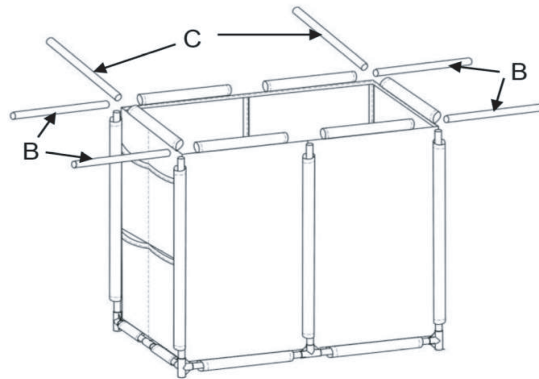


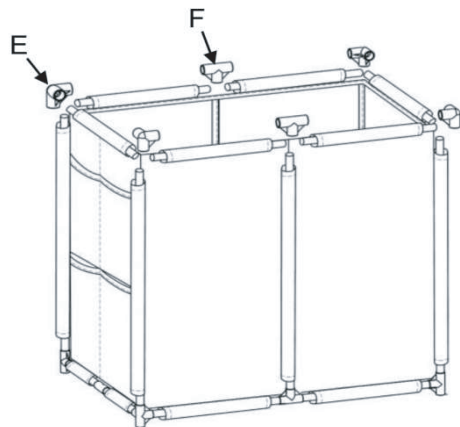
#5 Insert the long tubes (D) into the corner sleeves of the mesh bag (L) and into the 4-way corner wheel connectors (H).



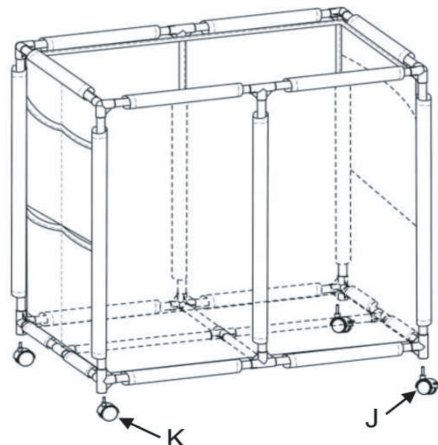
#6 Insert the Medium Tubes (C) and Short Tubes (B) through the top sleeves of the Mesh Bag.



#7 Use 3-way corner connectors (E) to connect all tubes at the top corners and 3-Way Side Connectors (F) in middle of the long sides.



#8 Attach wheels (J) and (K). Store the unit in the storage bag (M) when not used.



PoolBins

Extra Large Pool Toy Storage Organizer Bin

USER MANUAL: Style# PB-L300



Scan this QR Code!
Product Registration and Support
POOLBINS.COM/PB-L300












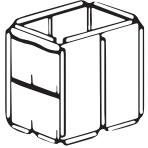
PoolBins

contact@poolbins.com or by phone at 718-251-0096



Scan this QR Code!
Product Registration and Support
POOLBINS.COM/PB-L300

Getting Started: Parts List

A. Extra Short Tube 11" QTY: 6 	B. Short Tube 16" QTY: 10 	C. Medium Tube 24" QTY: 2 	D. Long Tube 33" QTY: 6 
E. 3 Way Corner Connector QTY: 4 	F. 3 Way Side Connector QTY: 4 	G. 4 Way Corner Connector QTY: 2 	H. 4 Way Corner Wheel Connector QTY: 4 
I. 4 Way Flat Connector QTY: 1 	J. Wheel QTY: 2 	K. Locking Wheel QTY: 2 	L. Mesh Bag QTY: 1 



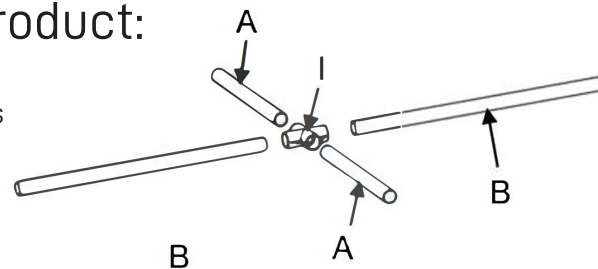
Scan for Assembly Video or Request Replacement Parts
POOLBINS.COM/PB-L300

For any questions or concerns, we are here to help. Please contact us by email at contact@poolbins.com or by phone: 718-251-0096

Note: Part (H) has a small hole for the Wheels.
Keep the unit in the Storage Bag (M) when not being used to extend the life of the unit.

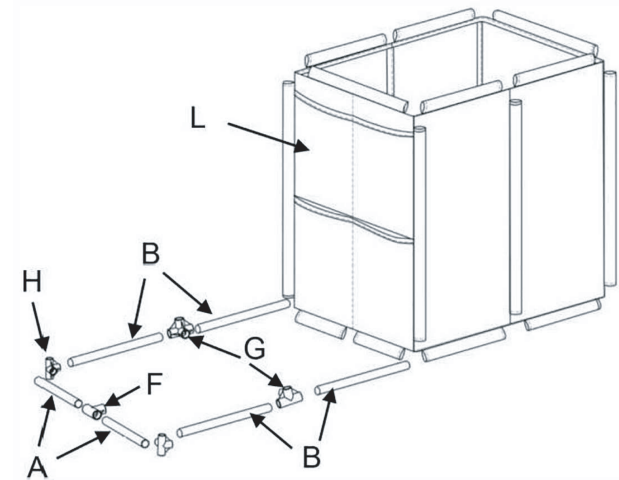
Assembling the Product:

#1 Connect the Extra Short Tubes (A) and Short Tubes (B) to the 4-Way Flat Connector (I).



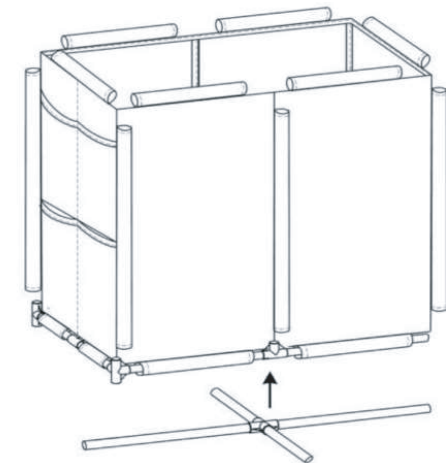
#2

Insert 2 extra short tubes (A) and 4 short tubes (B) into bottom sleeves of three of the sides of the mesh bag (L). Connect tubes with a 3-way side connector (F) in middle of the short sides and 4-Way connector (G) in middle of long sides and with 4-way corner connector (H) in the corners.



#3

Attach the tubes from step 1 to the 3-way side connectors (F) and 4-Way Connectors (G) from step 2.



#4

Insert two Extra Short Tubes (A) into the sleeves of the fourth side, and connect them with a 3-Way Side Connector (F) in the middle. Connect the tubes to the two 4-Way Corner Wheel Connectors (H).

