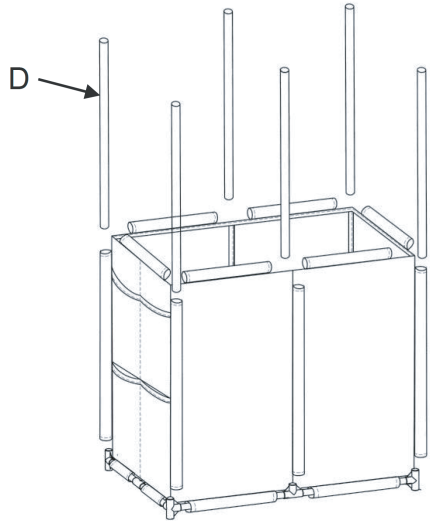
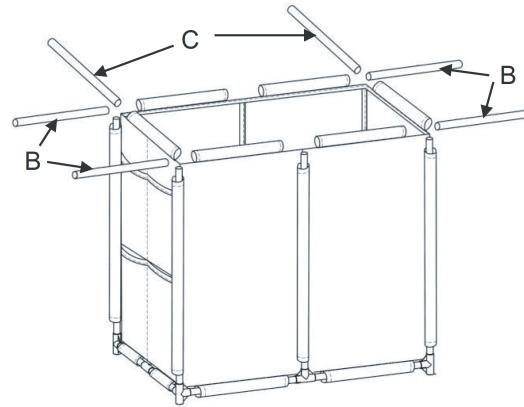


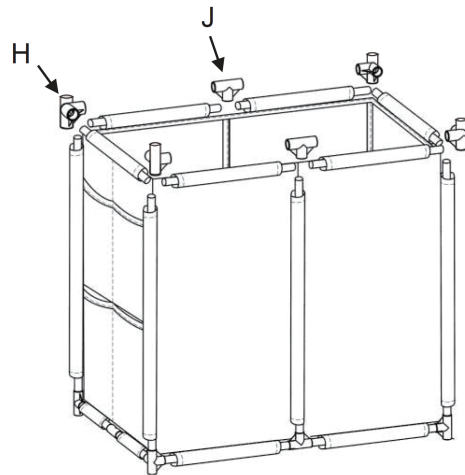
**#5** Insert the 6 Long Tubes (D) into the corner sleeves of Mesh Bag (N) and into the 4-Way Corner Connectors (I).



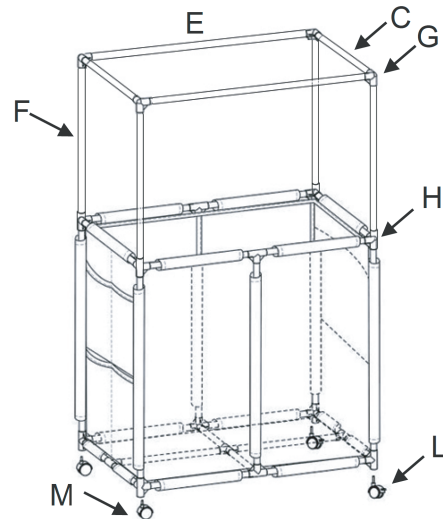
**#6** Insert two Medium Tubes (C) and four Short Tubes (B) through the top sleeves of the Mesh Bag.



**#7** Use 4-Way Corner Connectors (H) to connect all tubes at the top corners and 3-Way Side Connectors (J) in middle of the long sides.



**#8** Insert the 4 (F) tubes into the H corner connectors. Connect 4 3-way connectors (G) to the top of the (F) tubes. On top, connect two (C) tubes to the short side and two (E) tubes to the long side. Attach wheels (L) and (M).



# PoolBins

## Double Decker Pool Toy Storage Organizer Bin

**USER MANUAL: Style# PB-L360**



Scan this QR Code!

Product Registration and Support  
[POOLBINS.COM/PB-L360](http://POOLBINS.COM/PB-L360)

**PoolBins**


contact@poolbins.com or by phone at 718-251-0096



Scan this QR Code!

Product Registration and Support  
[POOLBINS.COM/PB-L360](http://POOLBINS.COM/PB-L360)

# Getting Started: Parts List

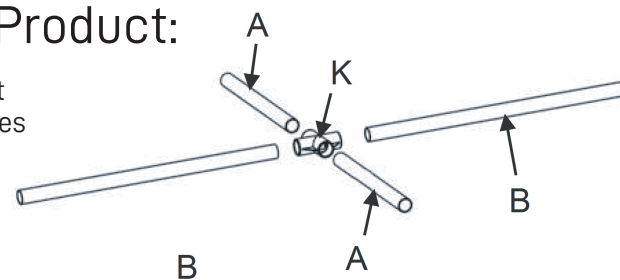
<b>A.</b> Extra Short Tube 11" QTY: 6	<b>B.</b> Short Tube 15.75" QTY: 10	<b>C.</b> Medium Tube 23.6" QTY: 4	<b>D.</b> Long Tube 27.6" QTY: 6
<b>E.</b> Extra-Extra Long Tube 33" QTY: 2	<b>F.</b> Extra Long Tube 29.5" QTY: 4	<b>G.</b> 3 Way Corner Connector QTY: 4	<b>H.</b> 4 Way Connector QTY: 6
<b>I.</b> 4 Way Wheel Corner Connector QTY: 4	<b>J.</b> 3-Way Side Connector QTY: 4	<b>K.</b> 4-Way Flat Connector QTY: 1	<b>L.</b> Locking Wheel QTY: 2
	<b>M.</b> Wheel QTY: 1	<b>N.</b> Mesh Bag QTY: 1	<b>O.</b> Storage Bag QTY: 1

Scan for Assembly Video or Request Replacement Parts  
**POOLBINS.COM/PB-L360**

**NOTE:** Part ( I ) has a small hole for the Wheels.  
Keep the unit in the Storage Bag ( O ) when not being used to extend the life of the unit.

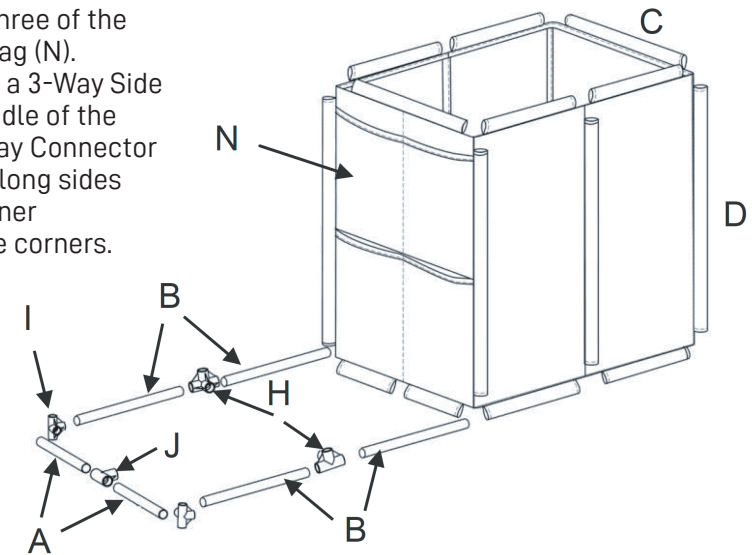
## Assembling the Product:

**#1** Connect the Extra Short Tubes (A) and Short Tubes (B) to the 4-Way Flat Connector (K).



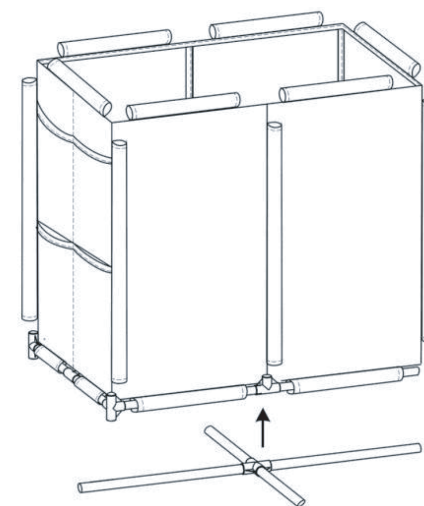
## #2

Insert two Extra-Short Tubes (A) and four Short Tubes (B) into bottom sleeves of three of the sides of the Mesh Bag (N). Connect Tubes with a 3-Way Side Connector (J) in middle of the short sides and 4 Way Connector (H) in middle of the long sides and with 4-Way Corner Connectors (I) in the corners.



## #3

Attach the tubes from Step 1 to the 4-Way Connectors (H) from Step 2.



## #4

Insert two Extra-Short Tubes (A) into the sleeves of the fourth side, and connect them with a 3-Way Side Connector (J) in middle. Connect the tubes to the two 4-Way Corner Connectors (I).

