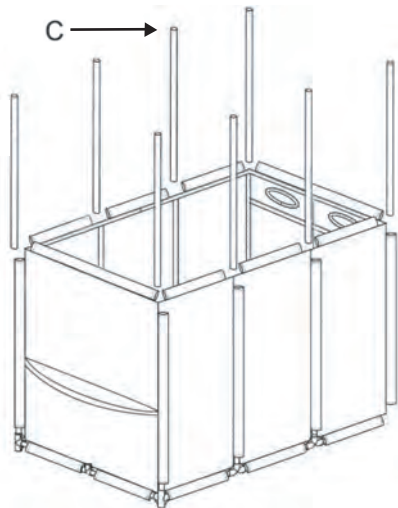
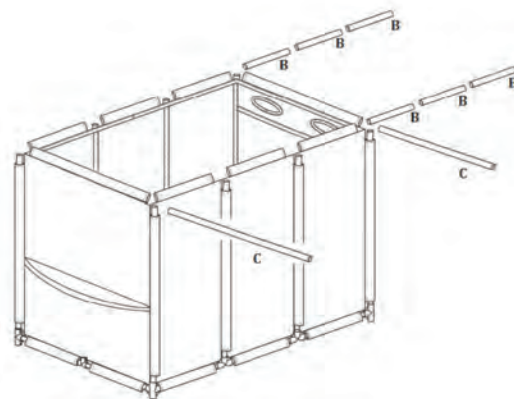


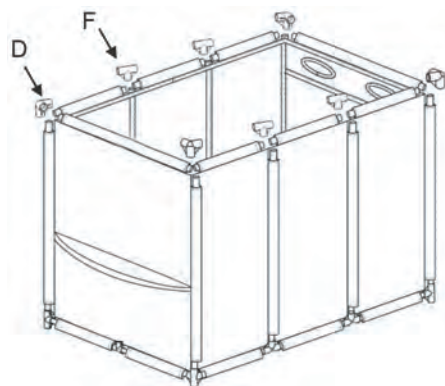
#5 Insert four Long Tubes (C) through the sleeves of Mesh Bag (K) and into the (E) Corner Connectors.



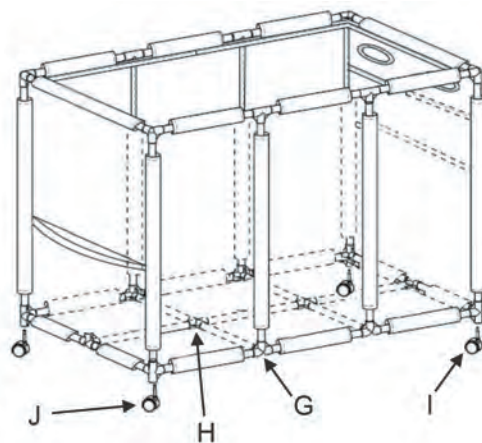
#6 Insert two Long Tubes (C) and six Medium Tubes (B) through the top sleeves of the Bag.



#7 Use 3-Way Corner Connectors (D) to connect all tubes at the top corners and 3-Way Side Connectors (F) in middle of the sides.



#8 Insert the Wheels (J) to the 4-Way Connectors (E)



PoolBins

Extra Large Pool Toy Storage Organizer Bin

USER MANUAL: Style# PB-K400



Scan this QR Code!

Product Registration and Support
POOLBINS.COM/PB-K400

PoolBins

contact@poolbins.com or by phone at 718-251-0096



Scan this QR Code!

Product Registration and Support
POOLBINS.COM/PB-K400

Getting Started: Parts List

A. Short Tube 11" QTY: 8	B. Medium Tube 13" QTY: 15	C. Long Tube 23.6" QTY: 10	D. 3 Way Corner Connector QTY: 4
E. 4-Way Wheel Corner Connector QTY: 4	F. 3-Way Side Connector QTY: 6	G. 4-Way Connector QTY: 4	H. 4 Way Flat Connector QTY: 2
I. Locking Wheel QTY: 2	J. Wheel QTY: 2	K. Mesh Bag QTY: 1	L. Storage Bag QTY: 1



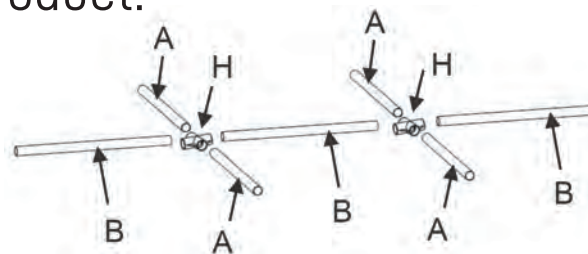
Scan for Assembly Video or
Request Replacement Parts
POOLBINS.COM/PB-K400

contact@poolbins.com or by phone at 718-251-0096

Note: Parts (E) have a small hole in the bottom side for the wheels.
Keep in the Storage Bag (L) when not being used to extend the life of the unit.

Assembling the Product:

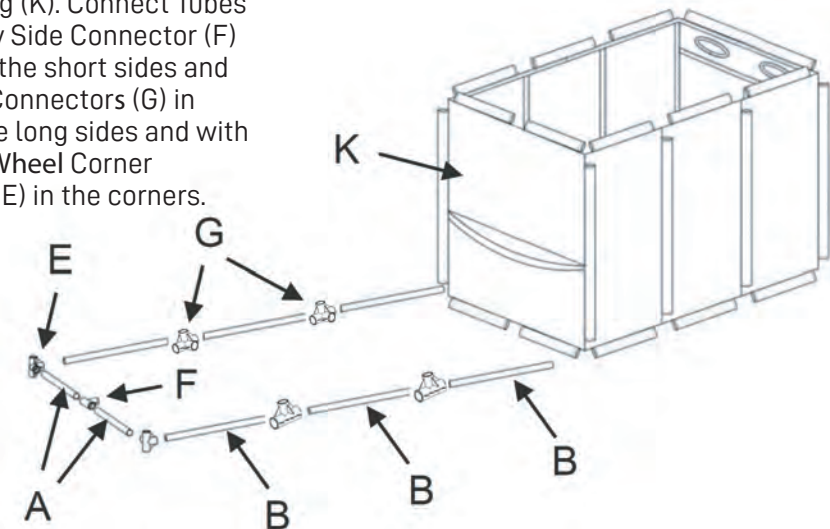
#1 Connect four Short Tubes (A) and three Medium Tubes (B) to two 4-Way Flat Connectors (H).



#2

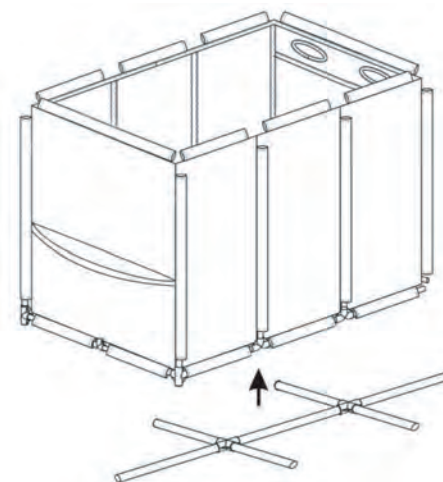


Insert two Short Tubes (A) and six Medium Tubes (B) into bottom sleeves of three of the sides of the Mesh Bag (K). Connect Tubes with a 3-Way Side Connector (F) in middle of the short sides and four 4-Way Connectors (G) in middle of the long sides and with four 4-Way Wheel Corner Connectors (E) in the corners.



#3

Attach the tubes from Step 1 to the Connectors (F) and (G) from Step 2.



#4

Insert two Short Tubes (A) into the sleeves of the fourth side, and connect them with a 3-Way Side Connector (F) in middle. Connect the tubes to the 4-Way Corner Connectors (E).

