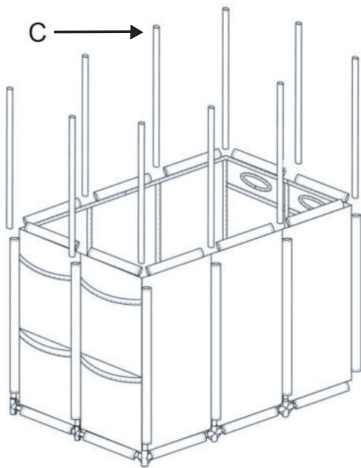
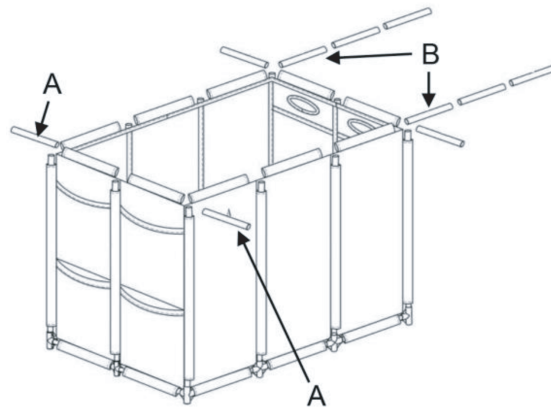


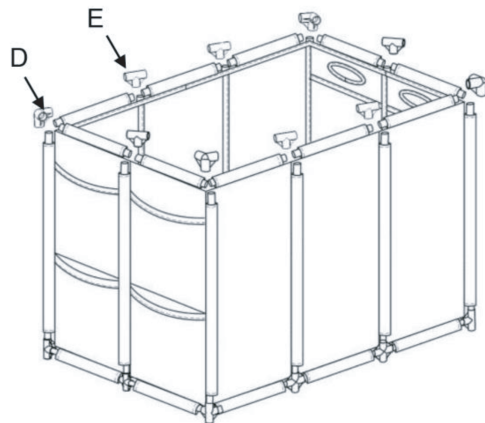
#5 Insert the long tubes (C) through the sleeves of the mesh bag (M) and into all connectors.



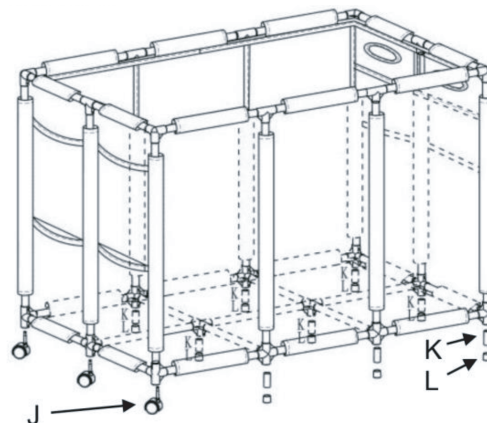
#6 Insert four Short Tubes (A) and six medium Tubes (B) through the top sleeves of the Bag.



#7 Use 3-way corner connectors (D) to connect all the tubes at the top corners and 3-Way Side Connectors (E) in middle of the sides.



#8 Insert the Wheels (J) to the 4-Way and 5-Way Connectors (G) and (H). Attach Extra Short Tube (K) to all other lower connectors. Attach a Foot (L) to each Tube.



Scan this QR Code!

Product Registration and Support
POOLBINS.COM/PB-X600

PoolBins

contact@poolbins.com or by phone at 718-251-0096

PoolBins

Extra Large Pool Toy Storage Organizer Bin


USER MANUAL: Style# PB-X600



Scan this QR Code!

Product Registration and Support
POOLBINS.COM/PB-X600

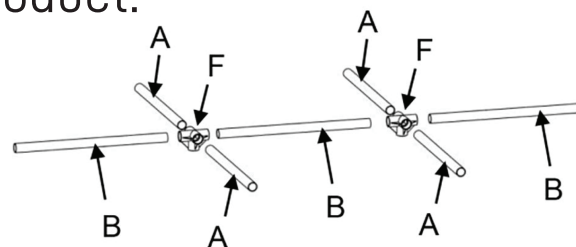
Getting Started: Parts List

| | | | |
|---|--|---|---|
| A. Short Tube 13.6" QTY: 12 | B. Medium Tube 14.4" QTY: 15 | C. Long Tube 29.3" QTY: 10 | D. 3 Way Corner Connector QTY: 4 |
| E. 3-Way Side Connector QTY: 6 | F. 5 Way Connector QTY: 7 | G. 5 Way Wheel Connector QTY: 1 | H. 4 Way Corner Wheel Connector QTY: 2 |
| I. 4 Way Corner Connector QTY: 2 | J. Wheel QTY: 3 | K. Extra Short Tube QTY: 9 | L. Foot QTY: 9 |
| M. Mesh Bag QTY: 1 | N. Storage Bag QTY: 1 |  <p>Scan for Assembly Video or Request Replacement Parts</p> <p>POOLBINS.COM/PB-X600</p> | |

Note: Parts (G) and (H) have a small hole in the bottom side for the Wheels. Keep in the Storage Bag (N) when not being used to extend the life of the unit.

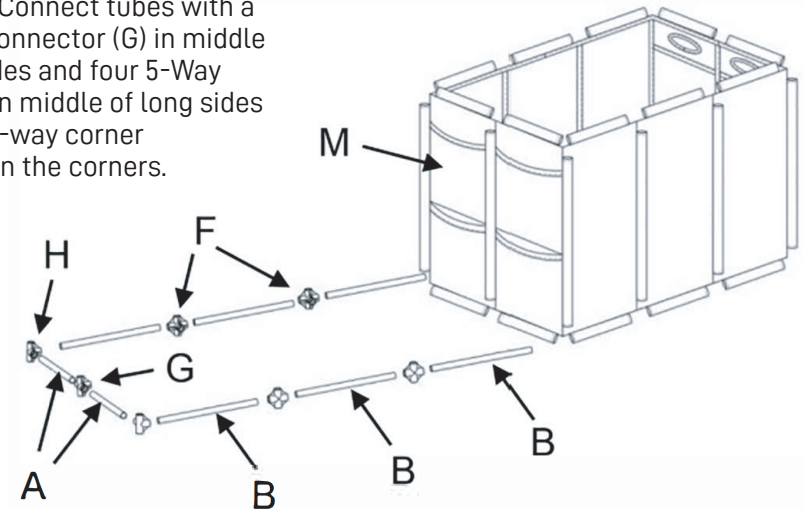
Assembling the Product:

#1 Connect the Short Tubes (A) and three Medium Tubes (B) to two 5-Way Connectors (F).



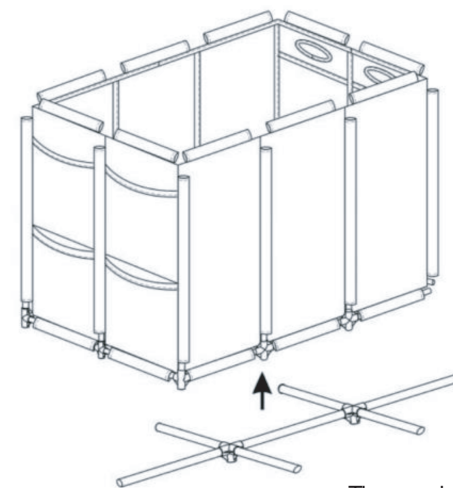
#2

Insert 2 short tubes (A) and 6 medium tubes (B) into bottom sleeves of three of the sides of the mesh bag (M). Connect tubes with a 5-way wheel connector (G) in middle of the short sides and four 5-Way connector (F) in middle of long sides and with two 4-way corner connector (H) in the corners.



#3

Attach the tubes from Step 1 to the 5-Way Connectors (G) and (F) from Step 2.



#4

Insert two Short Tubes (A) into the sleeves of the fourth side, and connect them with a 5-Way Connector (F) in the middle. Connect the tubes to the two 4-Way Corner Connectors (I).

