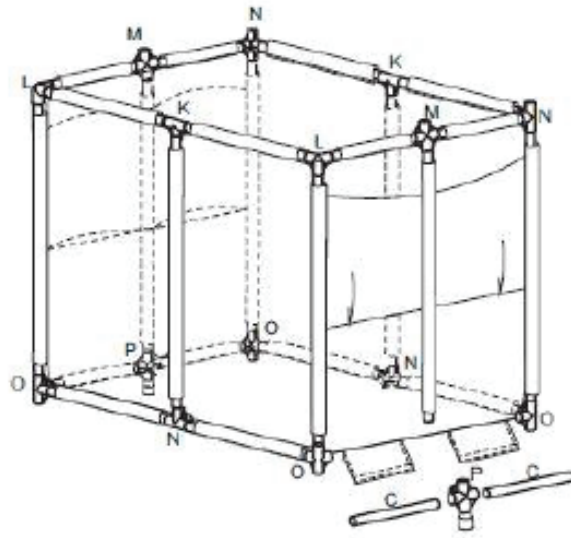


**PoolBins**

**#4**

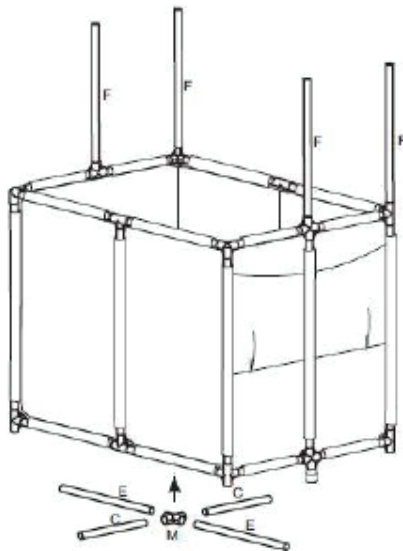
Use 3-Way Conner Connectors (L), and 4-way Corner Connectors (N) to connect the top corners and in middle of the long sides. Use 4-way Corner Connectors (O) to connect the bottom corners. Connect Tubes (C) with a 5-way Connector Foot (P) on the both of the short sides. Open the two remaining sleeves and insert Tubes (C) and connect them to the 4-way Corner Connectors (O).



Use connector (K) to connect to tubes (E) and (G).

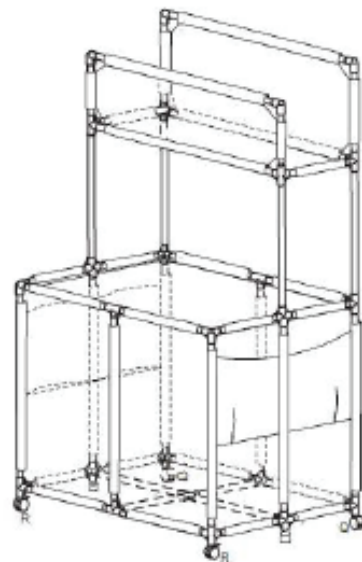
**#5**

Connect the Tubes (C), 4 Tubes (F) and Tubes (G) to the 4-Way Flat Connectors (M). The Lower Mesh Bag will rest on these tubes.



**#6**

Attach the Upper Shelf from Step 2 to the Pool Storage Bin from Step 5. Attach the Wheels (Q) and (R). Store the unit in the Storage Bag (T) when not used.



**PoolBins**

# Extra Large Pool Toy Storage Organizer Bin

**USER MANUAL: Style# PB-Z700**



**Scan this QR Code!**

Product Registration and Support  
[POOLBINS.COM/PB-Z700](http://POOLBINS.COM/PB-Z700)

contact@poolbins.com or by phone at 718-251-0096

*Do not allow children to climb in or on this item. Store indoors during the off-season to prolong its life.*



**Scan this QR Code!**

Product Registration and Support  
[POOLBINS.COM/PB-Z700](http://POOLBINS.COM/PB-Z700)

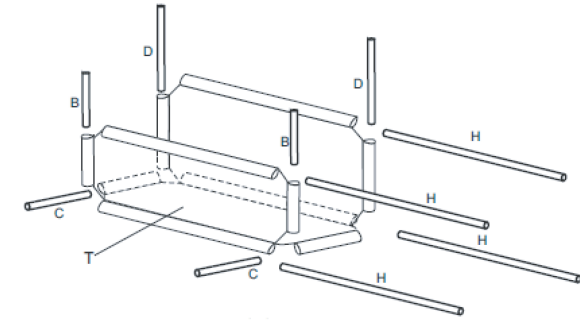
# Getting Started: Parts List



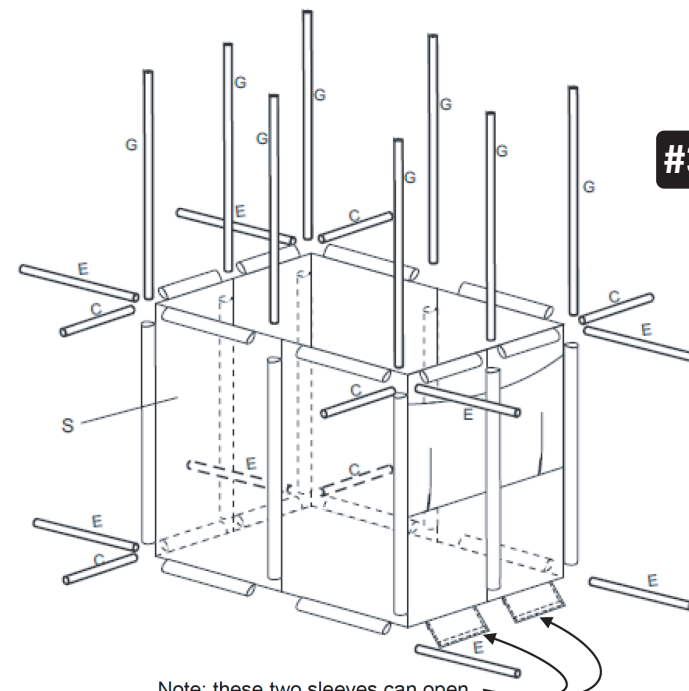
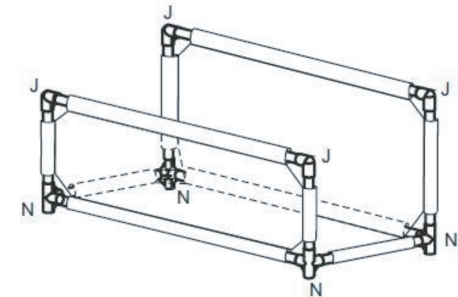
<b>A.</b> Storage Bag QTY: 1	<b>B.</b> 6.9" Tube QTY: 2	<b>C.</b> 10" Tube QTY: 12	<b>D.</b> 10.9" Tube QTY: 2
<b>E.</b> 15.9" Tube QTY: 10	<b>F.</b> 16.9" Tube QTY: 4	<b>G.</b> 24.8" Tube QTY: 8	<b>H.</b> 33.3" Tube QTY: 4
<b>J.</b> 2 Way Corner Connector QTY: 4	<b>K.</b> 3-Way Side Connector QTY: 2	<b>L.</b> 3 Way Corner Connector QTY: 2	<b>M.</b> 4 Way Flat Connector QTY: 3
<b>N.</b> 4-Way Corner Connector QTY: 8	<b>O.</b> 4-Way Corner Connector for Wheels QTY: 4	<b>P.</b> 5-Way Connector QTY: 2	<b>Q.</b> Wheel QTY: 2
<b>R.</b> Wheel w/ Lock QTY: 2	<b>S.</b> Lower Mesh Bag QTY: 1	<b>T.</b> Upper Mesh Shelf QTY: 1	

# How to Assemble:

**#1** Insert two Tubes (B), two Tubes (D), two Tubes (C) and four Tubes (H) into the long side sleeves of the Upper Mesh Shelf (T).



**#2** Connect the top tubes with 2-Way Corner Connectors (J). Connect the bottom tubes with 4-way Corner Connectors (N).



**#3** Insert six Tubes (C), eight Tubes (G), and eight Tubes (E) in the Lower Mesh Bag (S).

Note: these two sleeves can open, but don't insert tubes until the next step.



Scan for Assembly Video or Request Replacement Parts

[POOLBINS.COM/PB-Z700](http://POOLBINS.COM/PB-Z700)

contact@poolbins.com  
or by phone at 718-251-0096