



GM Data Interface 2016-2020

INTERFACE FEATURES

- Used in non-amplified models, or when bypassing a factory amp
- Provides accessory power (12-volt 10-amp)
- Retains R.A.P. (retained accessory power)
- Provides illumination, parking brake, reverse, and speed sense outputs
- Used in models without OnStar
- Retains all warning chimes
- High level speaker input
- Retains balance and fade
- Retains factory backup camera
- USB Micro-B updatable

INTERFACE COMPONENTS

- AXDI-GMLN10 interface
- AXDI-GMLN10 harness

APPLICATIONS

CHEVROLET

Colorado (1)	2017-2019	Malibu (2)	2016-2019
Cruze (2)	2016-2019	Silverado (1)	2016-2018
Cruze Hatchback (2)	2016-2019	Silverado LD (1)	2019
Equinox (1)	2018	Trax (2)	2017-2020

(1) With RPO code IOB • (2) With RPO code IOA

The IOA/IOB codes, if applicable, are in the Service Parts Identification labels in the following locations: **Rear Compartment Floor:** Malibu
Glovebox: Canyon/Colorado/Cruze/Equinox/Silverado/Sierra **Note: RPO (QR codes)** are in the driver door jam or “B Pillar” on the VIN label.

GMC

Acadia (1)	2017-2019
Canyon (1)	2017-2019
Sierra (1)	2016-2018
Sierra Limited (1)	2019

Product Info



TABLE OF CONTENTS

Connections: LD-LCLAN-10 Harness.....	2
Installation	3
Programming.....	3

OPTIONAL ACCESSORIES (sold separately)

Extension Harness: AXEXH-GM10

Visit AxxessInterfaces.com for more detailed information about the product and up-to-date vehicle specific applications.

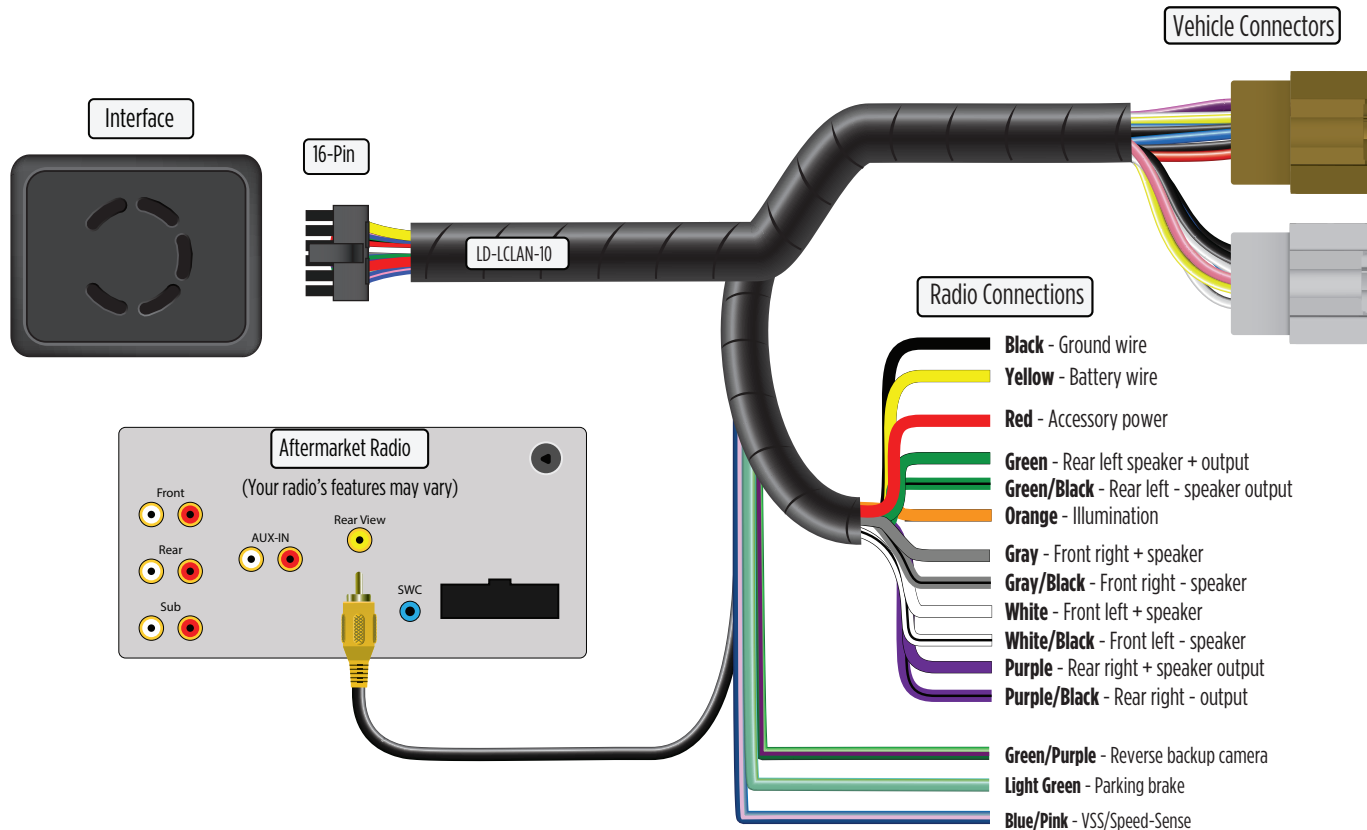
TOOLS & INSTALLATION ACCESSORIES REQUIRED

- Crimping tool and connectors, or solder gun, solder, and heat shrink
- Tape • Wire cutter • Zip-ties

ATTENTION: With the key out of the ignition, disconnect the negative battery terminal before installing this product. Ensure that all installation connections, especially the air bag indicator lights, are plugged in before reconnecting the battery or cycling the ignition to test this product.

NOTE: Refer also to the instructions included with the aftermarket radio.

CONNECTIONS: LD-LCLAN-10 HARNESS



INSTALLATION

With the key in the off position:

1. Locate the factory radio harness in the vehicle and complete all necessary connections to the aftermarket radio.
2. Connect the **AXDI-GMLN10 harness** to the **AXDI-GMLN10 interface**, and then to the factory radio harness in the vehicle.

Note: For the Equinox and Malibu, use part number **AXEXH-GM10** (sold separately) to extend the wiring harness to the right of the glovebox where the radio brain is located.

PROGRAMMING

Attention: If the interface loses power for any reason, the following steps will need to be performed again.

1. Turn the key (or push-to-start button) to the ignition position and wait until the radio comes on.
Note: If the radio does not come on within 60 seconds, turn the key to the off position, disconnect the interface, check all connections, reconnect the interface, and then try again.
2. Cycle the key off, then back on. If the driver's door is closed, open and close the door.
3. Test all functions of the installation for proper operation, before reassembling the dash.

Note: The vehicle must be running for the factory camera to power on.



AXDI-GMLN10

INSTALLATION INSTRUCTIONS

Having difficulties? We're here to help.



Contact our Tech Support line at:

386-257-1187



Or via email at:

techsupport@metra-autosound.com

Tech Support Hours (Eastern Standard Time)

Monday - Friday: 9:00 AM - 7:00 PM

Saturday: 10:00 AM - 5:00 PM

Sunday: 10:00 AM - 4:00 PM



KNOWLEDGE IS POWER

Enhance your installation and fabrication skills by enrolling in the most recognized and respected mobile electronics school in our industry. Log onto www.installerinstitute.edu or call 386-672-5771 for more information and take steps toward a better tomorrow.



**Metra recommends MECP
certified technicians**