



Portable Bluetooth® CD Player
With FM Radio & Speaker

EPCD-2000



USER MANUAL

Please read carefully before use and keep for future reference.

SAFETY INSTRUCTIONS

1. Read these instructions – All the safety and operating instructions should be read before this product is operated.
2. Keep these instructions. The safety and operating instructions should be retained for future reference.
3. Heed all warnings. All warnings on the appliance and in the operating instructions should be adhered to.
4. Do not use this apparatus near water. The device should not be used near water or moisture – for example, in a wet basement or near a swimming pool, and the like.
5. Clean only with a dry cloth.
6. Do not block any ventilation openings.
7. Do not operate or place near any heat sources such as radiators, heat registers, stoves, or other apparatus (including amplifiers) that produce heat.
8. Protect the power cord from being walked on or pinched particularly at the plugs, power outlets, and at the point where they exit from the apparatus.
9. Only use attachments/accessories specified by the manufacturer.
10. Unplug the apparatus during lightning storms or when unused for long periods of time.
11. Refer all servicing to qualified personnel. Servicing is required when the apparatus has been damaged in any way, such as a damaged power supply cord or plug.
12. **WARNING:** To reduce the risk of fire or electric shock, do not expose this device to any moisture, including rain or high humidity. Do not place any vases, or any liquid containers on the speaker.
13. Only use the device in moderate climates.
14. The ventilation should not be impeded by covering the ventilation openings with items, such as newspapers, tablecloths, curtains, etc.
15. Do not place open flame sources, such as lighted candles, on the apparatus.
16. **CAUTION:** These servicing instructions are for use by qualified service personnel only.
17. To reduce the risk of electric shock do not perform any servicing other than that contained in the operating instructions unless you are qualified to do so.
18. **CAUTION: TO REDUCE THE RISK OF ELECTRIC SHOCK, DO NOT REMOVE THE DEVICE HOUSING. DO NOT OPEN THE UNIT. SERVICING SHALL ONLY BE DONE BY QUALIFIED SERVICE PERSONNEL.**
19. **DANGER:** This Compact Disc player is classified as a Class 1 LASER PRODUCT. The CLASS 1 LASER PRODUCT label is located on the rear exterior.
20. **NOTE:** The manufacturer is not responsible for any radio or TV interference caused by unauthorized modifications.
21. Store your CD or other devices in a cool area to avoid damage from heat.
22. **Battery Warnings:**
 - a. Remove batteries if exhausted or if they will not be used for a long period.
 - b. The incorrect use of batteries can cause electrolyte leakage and will corrode the compartment or cause the batteries to burst.
 - c. Do not mix battery types, e.g. Alkaline with zinc carbonate.
 - d. When inserting new batteries, replace all batteries at the same time.

PACKAGE CONTENTS

EPCD-2000..... 1 Piece
User Manual..... 1 Piece

Warranty Card..... 1 Piece
Wired Earbuds..... 1 Piece

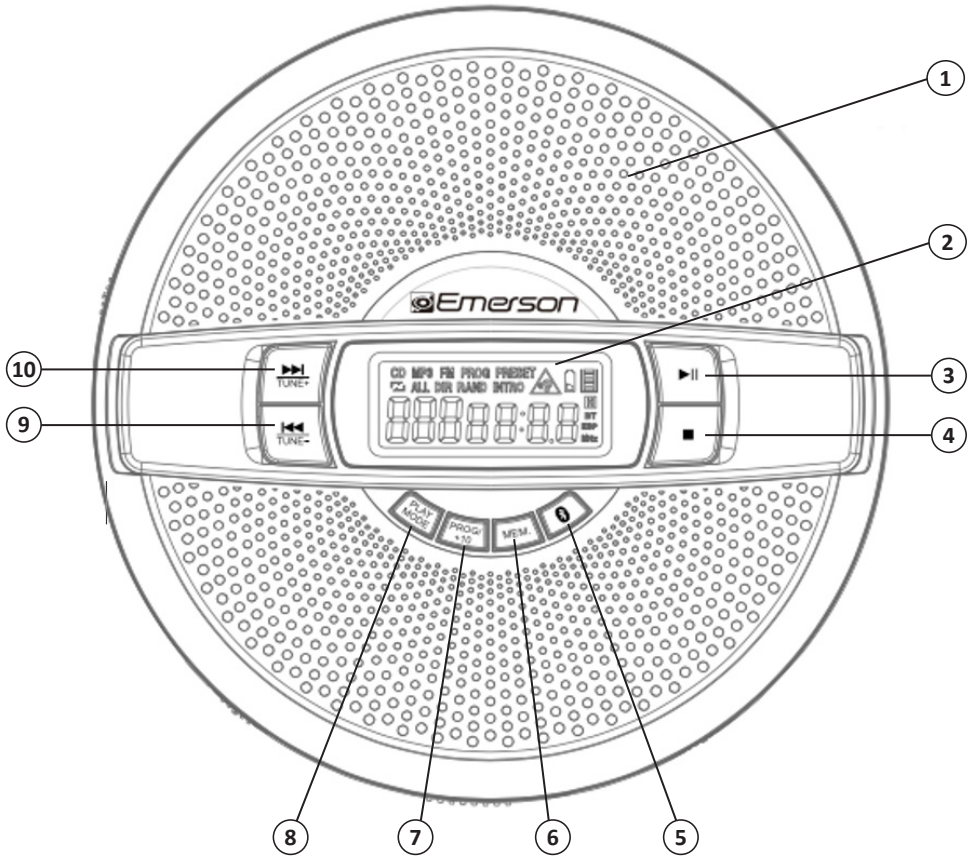
DEVICE SPECIFICATIONS

Power Requirement	QTY 2 x AA (UM-3) Batteries (not included) Input: DC 4.5V-600mA
Speaker Output	1W
Bluetooth Version	5.3
Bluetooth Operation Distance	Up to 15 feet in open areas
Radio Frequency Range	FM: 87.5 - 108 MHz

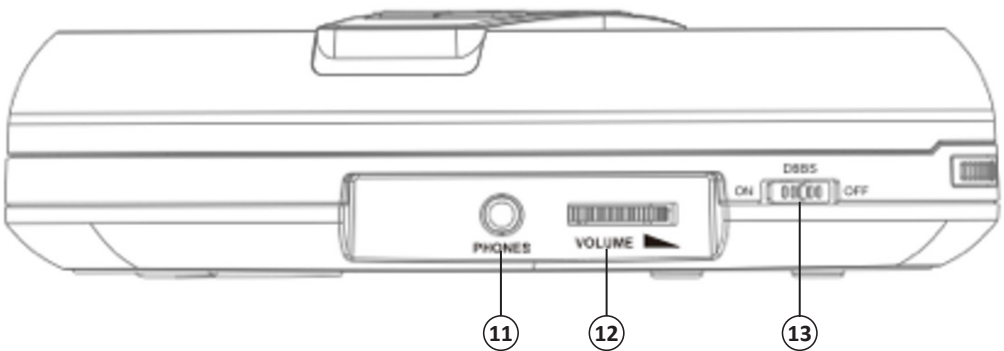
NOTE: SPECIFICATIONS AND ACCESSORIES ARE SUBJECT TO CHANGE WITHOUT NOTICE

DEVICE FEATURES

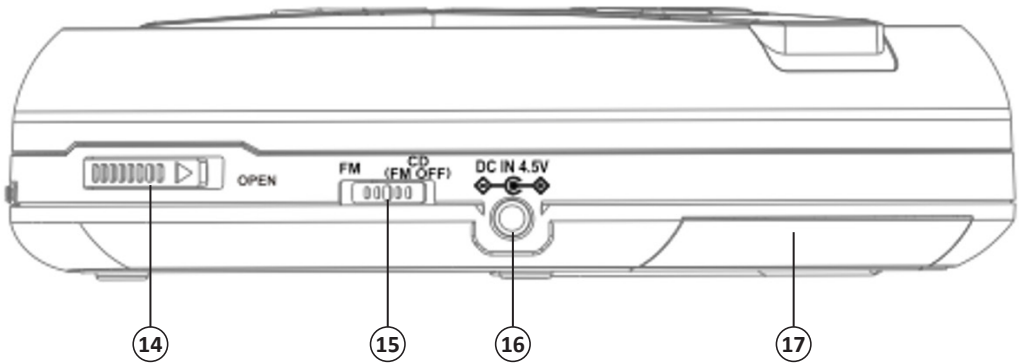
Top View



Front View



Rear View



- | | |
|----------------------------|---------------------------|
| 1. SPEAKER | 10. FORWARD/TUNE+ BUTTON |
| 2. LCD DISPLAY | 11. HEADPHONE INPUT |
| 3. PLAY/PAUSE BUTTON | 12. VOLUME DIAL |
| 4. STOP BUTTON | 13. DBBS SWITCH |
| 5. BLUETOOTH ON/OFF BUTTON | 14. CD DOOR OPEN SWITCH |
| 6. MEMORY BUTTON | 15. CD (FM OFF)/FM SWITCH |
| 7. PROGRAM/+10 BUTTON | 16. DC IN JACK |
| 8. PLAY MODE | 17. BATTERY COMPARTMENT |
| 9. REVERSE/TUNE- BUTTON | |

CONNECTING POWER

AC/DC POWER (Adapter not included)

WARNING: Before connecting to the power supply, ensure that the supply corresponds to the adapter specifications.

- Adapter Requirements: AC 120V 60Hz Input/DC 4.5V 600mA Output.
- Connect the adapter AC end to a 120V 60Hz AC wall outlet and the DC end into the DC Input on the device.

NOTE: Connecting to AC/DC power automatically disengages the battery power source.

BATTERY POWER

1. Open the door to the battery compartment.
2. Install a quantity of two (2) AA (UM-3) type batteries (not included) into the compartment. Make sure to install the batteries according to the indicated positive and negative markings.

BATTERY PRECAUTIONS:

- Remove batteries if they are depleted or not being used for long periods.
- Batteries contain chemical substances. Dispose of empty batteries per local laws and requirements.

OPERATING THE DEVICE

USING EARBUDS

- For private listening, connect the earbuds (included) to the Headphone Input Port. Note: the speaker will be automatically disabled.
- **CAUTION:** Listening at high volumes can cause hearing loss.

ADJUST THE VOLUME

- Rotate volume control dial left or right to increase or decrease the volume.

DBBS ACTIVATION

- Use the DBBS Switch to turn On/Off the DBBS function.

TURN ON & OFF DEVICE

- To play CDs, slide the FM/CD switch to the CD side.
- To play the radio, slide the FM/CD switch to the FM side.
- To Turn Off the device, press the STOP button twice.

OPERATING MODES

CD OPERATION

PLAYABLE CD TYPES

This device can only play digital audio CDs, finalized digital audio CD-Recordable (CD-R) discs, finalized digital audio CD-Rewritable (CD-RW) discs, and MP3 CDs.

- CD-R/CD-RW discs but it may take up to 10 seconds for playback to start. If playback does not start, it is likely due to the quality of the CD-R/RW disc and/or the compatibility of the CD compilation software.

NOTE: Manufacturer is not responsible for the playback quality of CD-R/RW discs

CAUTION: Do not attach a label or seal to either side of the CD-R/RW disc. It may cause a malfunction.

LOADING CDs

1. Slide the FM/CD switch to the CD position.
2. Slide the CD DOOR OPEN switch to the right to open the CD Door.
3. Place an audio CD into the tray with the top-side facing up.
4. Close the CD DOOR.



NOTES:

- The track number and total time will appear on the LCD display after a few seconds.
- To ensure good system performance; wait until the unit completely reads the disc before proceeding.
- 'NO' will be displayed if no disc is loaded into the tray, or if the disc is unreadable.



PLAYING A DISC

1. To start playback, press the ►|| button.
 - To interrupt playback, press the ►|| button.
 - To resume playback, press the ►|| button again.
2. To stop playback, press the STOP button.
3. To select a desired track, press the ◀◀/TUN- or /▶▶TUN+ buttons to select the next or previous tracks.
4. To fast forward or reverse the track, press and hold the ◀◀/TUNE- or /▶▶TUNE+ buttons. Release to play at the desired time.

REPEAT A SINGLE TRACK

1. When in play mode, press the **MODE** button until the  1 icon is displayed. The icon will flash on the display. The current track will be played repeatedly until you press the STOP button.
2. To cancel repeat play, press the **MODE** button until the  1 icon stops flashing on the display.


REPEAT ALL TRACKS

1. When in play mode, press the **MODE** button until the  ALL icon is displayed. All tracks will be played repeatedly until you press the STOP button.
2. To cancel repeat play, press the **MODE** button until the  ALL icon is no longer displayed.

PLAY FIRST 10 SECONDS OF ALL TRACKS

1. When in play mode, press the **MODE** button until the INTRO light is displayed. The first 10 seconds of all tracks will be played until the end of the tracks or until you press the STOP button.
2. To cancel Intro mode, press the **MODE** button until the INTRO light is no longer displayed

PLAY TRACKS RANDOMLY

1. When in play mode, press the **MODE** button until **RANDOM** is displayed. Random play will start automatically, and will continue to play random tracks until all tracks are played. You can press the  button to change tracks.
2. To cancel random play, press the **MODE** button until **RANDOM** is no longer displayed.

CUSTOMIZE THE TRACK SEQUENCE

1. Press the PRESET/PROGRAM/10+ BUTTON.
 - The PROG indicator and Program Channel Number P01 and the track number 01 will appear on the LCD DISPLAY to input.
2. Press the FORWARD or REWIND BUTTONS to select the track to be programmed.
3. Press the PROGRAM/10+ again to store the track selection. The Program Channel number will change to P02 and the track number will return to 01 to prompt for input.
4. You may repeat steps 2-3 to program as many as 20 tracks.
5. Press the PLAY/PAUSE BUTTON to start the programmed play.

ANTI-SKIP PROTECTION

This player incorporates an electronic anti-skip circuit to prevent interruption of the sound output when the unit is subjected to shock, vibration, or rolling during CD playback. The anti-shock system will automatically activate when a disc is playing.

The anti-skip buffer can give you approximately 60 seconds of protection against interruption of sound output for a standard CD and 100 seconds for an MP3 CD. If the player is subjected to shock or rolling for longer than the buffer memory, some interruption of sound output will occur. This is normal and to be expected. The sound will resume once the player has stabilized from the shock or rolling disturbance.

Note: The anti-skip function provide continuous sound output when the unit is subjected to shock or vibration. It will not compensate for errors arising from the use of defective, scratched, or dirty discs.

COMPACT DISC MAINTENANCE

1. Only use compact discs that bear the following marking:



2. Handling Discs

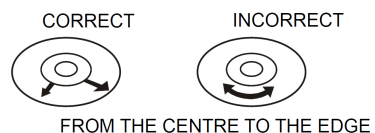
- Removing the disc from its storage case and loading it.
- Do not touch the reflective recorded surface.
- Do not stick paper or write anything on the surface.
- Do not bend the disc.
- NOTE: Make sure the CD lid is closed to prevent dust from contaminating the lens.

3. Storage

- Store the disc in its case.
- DO not expose discs to direct sunlight or high temperatures, high humidity, or dusty places.

4. Cleaning Discs

- If the disc becomes soiled, wipe off the dust, dirt, and fingerprints with a soft cloth.
- Never use benzene, thinners, record cleaner fluid, or anti-static spray.
- Do not touch the lens.
- Clean the disc from the center to the edge.



RADIO OPERATION

SELECTING STATIONS

1. Turn on FM radio by sliding the CD(FM OFF)/FM switch to the FM position.
2. To automatically scan for a radio station, press and hold the TUNE+ or TUNE- buttons for 1 - 2 seconds. The tuner will stop scanning when it receives the next broadcasting station of adequate signal strength.
3. To manually tune to a specific radio station, press the TUNE+ and TUNE- buttons.
NOTE: Use the manual tuning method to tune in weaker stations that are bypassed during Automatic Tuning.
4. Adjust the VOLUME CONTROL to the desired volume level.

PRESET RADIO STATIONS

You can store up to 20 (FM) radio stations in memory for your preference.

1. Slide the CD(FM OFF)/FM SWITCH to FM position to turn on FM Radio.
2. Tune to the desired radio station.
3. Press the PROGRAM/10+ button. The preset memory number will appear on the LCD DISPLAY. NOTE: P01 will appear on the LCD DISPLAY if you are programming a preset station for the first time.
4. Press the PROGRAM/10+ button repeatedly to select the preset number you want to assign the station to.
5. Press the PROGRAM/10+ button again to confirm the setting.
6. Repeat above steps 2-6 to preset up to 20 FM stations.

RECALLING PRESET RADIO STATIONS

- Press the PROGRAM/10+ button repeatedly to select a preset station.

TIPS FOR BEST RECEPTION

- The earbuds acts an FM antenna. For best reception, connect and fully extend earbuds cord.

BLUETOOTH OPERATION

The CD player can act as a Bluetooth transmitter to a Bluetooth speaker. Follow the below steps to connect to a Bluetooth speaker and play music from a loaded CD.

NOTES:

- When using Bluetooth, there is no output from the headphone jack.
 - When the CD player is stopped for approximately 30 seconds, the power will be automatically turned off. The user will need to repeat below connection steps to play in Bluetooth Mode again.
1. Press and hold the BLUETOOTH button to switch to Bluetooth Pairing Mode.
 2. When the CD player is in Bluetooth Mode, "BT" will flash on the LCD display.
 - The pairing process could take up to 30 seconds.
 - For best results, stay within 3 feet of the Bluetooth speaker you are pairing to.
 3. When the Bluetooth connection is made, the "BT" icon will stop flashing and turn solid. Additionally, the external Bluetooth speaker should indicate when the connection has been made.

NOTE:

- The unit will connect to the closest Bluetooth speaker.
4. Begin playing music on the CD player to hear it on the connected Bluetooth speaker.

NOTE:

 - If you are connected to a Bluetooth speaker with a play/pause button and do not hear audio, try pressing the play/pause button.
 5. When finished listening, press the Stop button to stop the player.
 6. Press and hold the BLUETOOTH button to turn off Bluetooth transmitter mode.

RESETTING THE DEVICE

In case of malfunction caused by an electrostatic discharge:

1. Reset the device by disconnecting the AC/DC power adapter and/or removing the batteries.
2. Wait at least for 3 minutes before reconnecting either power source.

TROUBLESHOOTING

SYMPTOM	CAUSE	POSSIBLE REMEDY
No sound from the device.	Depleted battery power.	Replace with all new batteries.
	Volume set to minimum.	Increase the volume.
Noise or sound distorted on FM broadcast.	Headphone cord is not extended.	Extend the headphone cord.
No sound from the radio.	Device is not in FM mode.	Switch to FM mode.
	Station signal is weak.	Tune to a stronger station.
CD player will not play.	Device is not in CD mode.	Switch to CD mode.
	CD media is incompatible with the player.	Use compatible CD media.
	Batteries are depleted.	Replace with all new batteries.
CD skips while playing.	Disc is dirty or scratched.	Clean the disc with a clean cloth.
	Defective disc.	Clean or replace the defective disc.
	Dirty CD lens.	Use a CD-lens cleaning disc to clean the lens.
	Player is subject to excessive shock or vibration.	Relocate the player away from shock or vibration.
	Batteries are depleted.	Replace with all new batteries.

FCC NOTICE

WARNING: Changes or modifications to this unit not expressly approved by the party responsible for compliance could void the user's authority to operate the equipment.

NOTE: This equipment has been tested and found to comply with the limits for a Class B digital device, pursuant to part 15 of the FCC Rules.

These limits are designed to provide reasonable protection against harmful interference in a residential installation. This equipment generates, uses and can radiate radio frequency energy and, if not installed and used in accordance with the instructions, may cause harmful interference to radio communications.

However, there is no guarantee that interference will not occur in a particular installation. If this equipment does cause harmful interference to radio or television reception, which can be determined by turning the equipment off and on, the user is encouraged to try to correct the interference by one or more of the following measures:

- Reorient or relocate the receiving antenna.
- Increase the separation between the equipment and receiver.
- Connect the equipment into an outlet on a circuit different from that to which the receiver is connected.
- Consult the dealer or an experienced radio/TV technician for help.

SUPPORT

If you have problems with your device, please consult the instructions in this manual. Please also visit us on the web at www.emersonaudio.com to get up to the minute news, alerts, and documentation for your device. For additional assistance, please contact Emerson Technical support.

EMERSON Technical Support
2320 East 49th Street
Vernon, CA 90058
Tel: (866) 411-6292
Email: support@emersonaudio.com

Made in China